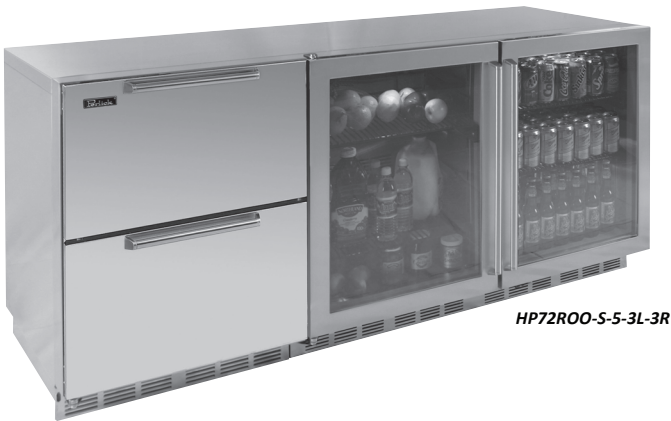




72" Signature Series Refrigerator/Refrigerator/Refrigerator Specification Sheet

Model Nos.
 HP72R00-B
 HP72R00-S



HP72R00-S-5-3L-3R

Features:

- Multi-zone, Multi-door undercounter refrigeration unit:
Available in one temperature zone
- Designed with fully-integrated depth to allow flush fit with surrounding cabinetry (with 3/4" wood overlay)
- Zero-clearance hinging allows for abutment with surrounding cabinetry
- Perlick's exclusive Variable Speed Compressor
- Industry exclusive full-extension shelving
- Industry exclusive stainless steel interior
- Two (2) year full warranty on complete unit- Additional four year limited warranty on the sealed refrigeration system
- Industry exclusive convertible door design allows all doors to be converted to wood overlay from stainless steel
- Low E, UV coated glass provides industry leading insulation and protection
- Door locks available
- Interior digital display
- 19 cubic feet of capacity

72" refrigerator/refrigerator/ refrigerator features:

- Refrigerator temperature 33 to 39 degrees F
- Refrigerator rated for both food and beverage storage

Luxury YOU DESIRE.
INNOVATION YOU CAN'T LIVE WITHOUT.



8300 W. Good Hope Rd. Milwaukee, WI 53223

1-800-558-5592 Fax: (414) 353-7069 bringperlickhome.com

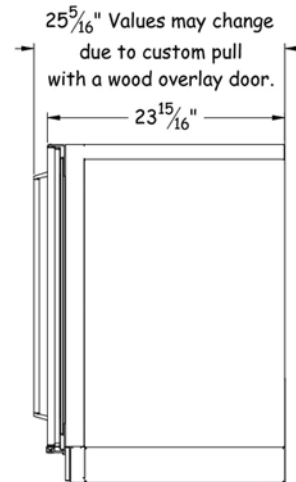
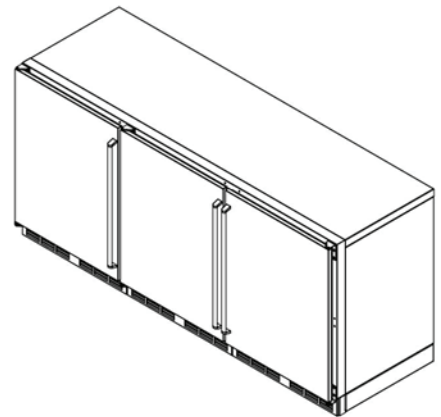
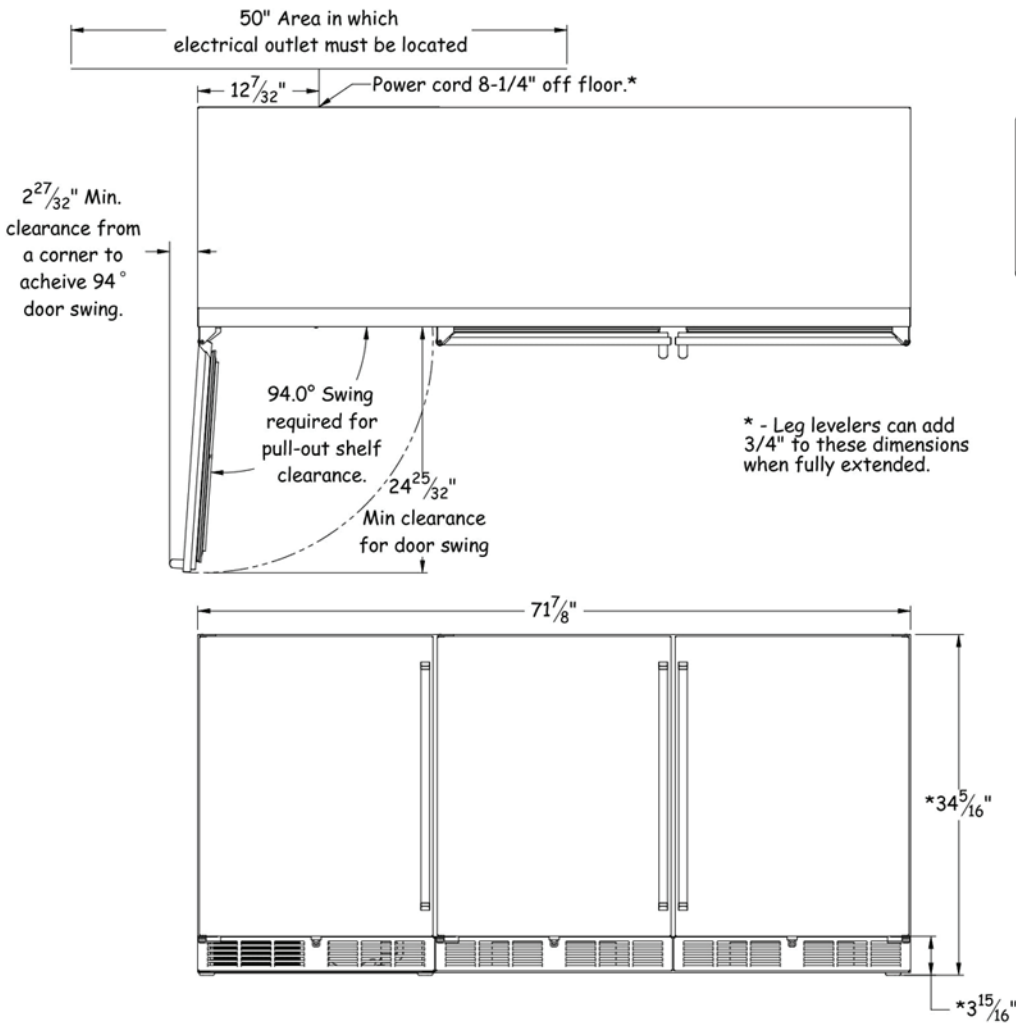
Perlick is committed to continuous improvement. Therefore, we reserve the right to change specifications without warning.

Indoor Models	Refrigerator/Refrigerator/Refrigerator
H72ROO-B	72" refrigerator=refrigerator=refrigerator-built-in
H72ROO-S	72" refrigerator=refrigerator=refrigerator-freestanding

Job _____
 Area _____
 Item No. _____
 Model No. _____

Refrigerator Door Options
1 - solid stainless door (Left or Right hinge)
2 - solid wood overlay door (Left or Right hinge)
3 - stainless glass door (Left or Right hinge)
4 - wood overlay glass door (Left or Right hinge)
5 - solid stainless steel drawers
6 - solid wood overlay drawers

Overall Width: 71-7/8", 182.563 cm
Overall Height: 34-5/16", 87.154 cm
Overall Depth: 23-15/16", 60.801 cm
Capacity: 5.3 cubic ft.
Minimum Height Required: 34-3/8"
Door Swing Clearance: 24-25/32"
Electrical: 115V, 60 Hz., 1 phase AC, 2.3 amps
Plumbing: none required
Shipping Weight: 540 lbs.



8300 W. Good Hope Rd. Milwaukee, WI 53223
 1-800-558-5592 Fax: (414) 353-7069 bringperlickhome.com

Perlick is committed to continuous improvement. Therefore, we reserve the right to change specifications without warning