



24" Signature Series Beer Dispenser Specification Sheet

Model Nos.

HP24TS-1

HP24TO-1

HP24TS-2

HP24TO-2



HP24TS-1R2

Features:

- Designed with fully-integrated depth to allow flush fit with surrounding cabinetry (with 3/4" wood overlay)
- Zero-clearance hinging allows for abutment with surrounding cabinetry
- Perlick's exclusive Variable Speed Compressor
- Front-vented, forced-air refrigeration
- Industry Exclusive stainless steel interior
- Two (2) year full warranty on complete unit – Additional four year limited warranty on the sealed refrigeration system
- Industry Exclusive Convertible Door Design allows all doors to be converted to wood overlay from stainless steel
- Door locks available
- Interior digital display
- Refrigeration system keeps beer at precise serving temperature
- Complete, self-contained beer system
- Portable drainer, no plumping required
- Will hold one (1) 1/4 barrel or two (2) 1/6 barrels
- Beer Dispenser temperature 33 – 39 degrees F
- Available with solid stainless steel door or wood overlay door
- 1- or 2- faucet tapping kit
- 5.3 cubic feet of capacity

Luxury YOU DESIRE.
INNOVATION YOU CAN'T LIVE WITHOUT.



8300 W. Good Hope Rd. • Milwaukee, WI 53223

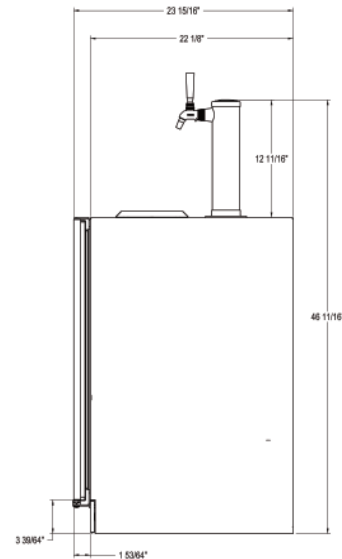
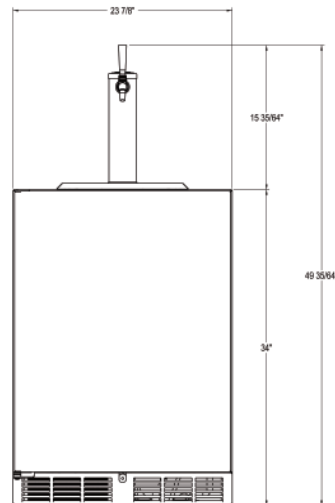
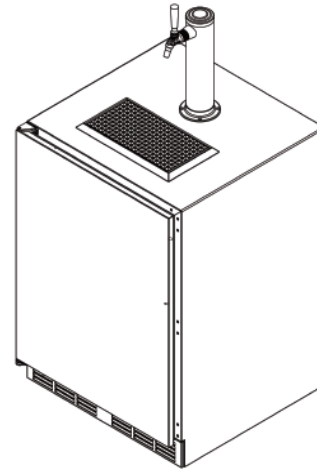
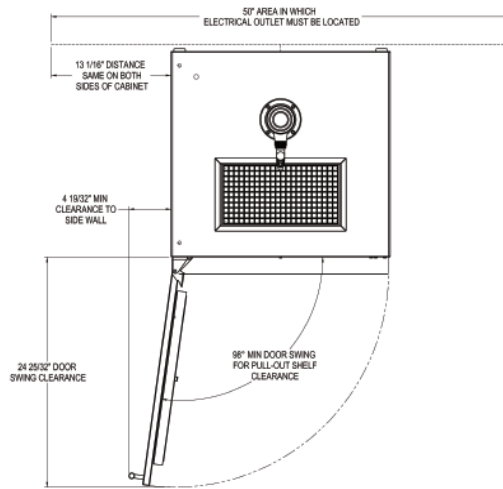
1-800-558-5592 • Fax: (414) 353-7069 • www.Perlick.com

Perlick is committed to continuous improvement. Therefore, we reserve the right to change specifications without warning

Indoor Models	Outdoor Models	Beer Dispenser
HP24TS-1	HP24TO-1	24" Beer Dispenser with solid stainless door
HP24TS-2	HP24TO-2	24" Beer Dispenser with wood overlay door

Job _____
Area _____
Item No. _____
Model No. _____

Overall Width: 23-7/8", 60.643 cm
Overall Height: 34-5/16", 87.154 cm
Overall Depth: 23-15/16", 60.801 cm
Capacity: 5.3 cubic ft.
Minimum Height Required: 34-3/8"
Door Swing Clearance: 24-25/32"
Annual Energy Usage: 308 kWh/yr
Electrical: 115V, 60 Hz., 1 phase AC, 2.3 amps
Plumbing: none required
Shipping Weight: 215 lbs., 97.522 kg



8300 W. Good Hope Rd. • Milwaukee, WI 53223

1-800-558-5592 • Fax: (414) 353-7069 • www.Perlick.com

Perlick is committed to continuous improvement. Therefore, we reserve the right to change specifications without warning