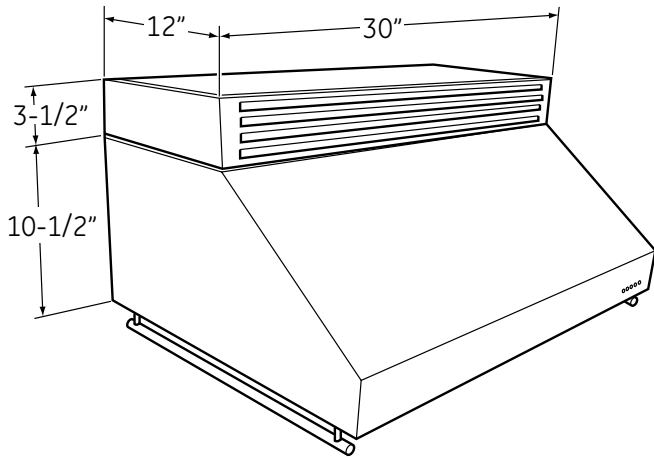


ZV30HSRSS GE Monogram® 30" Wall-Mounted Hood

Dimensions and Installation Information (in inches)

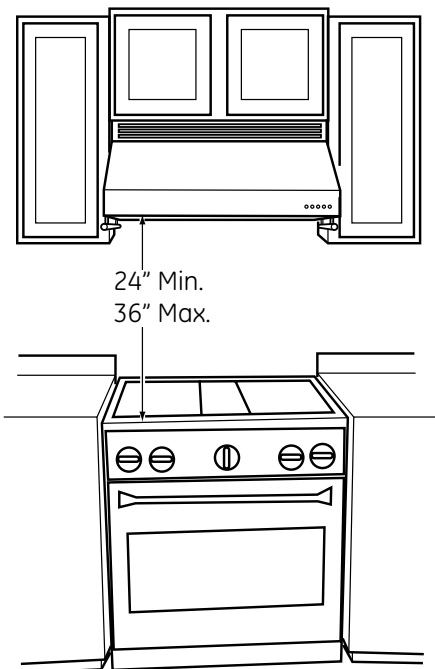


Installation Clearances

These vent hoods are designed to be installed onto a wall or beneath a soffit or cabinet.

- Install these hoods 24" Min. to 36" Max above the cooking surface.
- * This vent hood can be installed over any 30" electric or gas cooktop including 30" Monogram Professional ranges.

Note: Clearances may vary due to type of cooking product and local codes. Check with local inspectors to be sure standard is applicable.



Note: Installation height should be measured from the cooking surface to the lowest part of the hood.

For answers to your Monogram® GE Profile™ or GE® appliance questions, visit our website at geappliances.com or call GE Answer Center® service, 800.626.2000.



imagination at work



Listed by
Underwriters
Laboratories

ZV30HSRSS

GE Monogram® 30" Wall-Mounted Hood

Advanced Planning

Ductwork Planning for vented mode

- This vent hood is designed to be installed beneath a cabinet or beneath a cabinet mounted to a soffit.
- This hood is designed for 8" round ducting. The 8" round duct can transition to 3-1/4" x 10" or 3-1/4" x 12".
- Plan the route for venting exhaust to the outdoors considering any transitions you may require.
- Use locally supplied ducting to vent horizontally through the rear wall or vertically through the ceiling.
- Use the shortest and straightest duct route possible. For satisfactory performance, duct run should not exceed 100' equivalent length for any duct configurations.
- Refer to "Duct Fittings" chart to compute the maximum permissible length for duct runs to the outdoors.
- Install a wall or roof cap with damper at the exterior opening. Order the wall or roof cap and any transition and length of duct needed in advance from a local hardware store.
- Determine the exact location of the vent hood.
- Wall or ceiling duct must be projected out at least 1" for duct connection.

WARNING: To reduce the risk of fire, use only metal ductwork.

- For better air flow results, use rigid metal ductwork.

Ductwork Planning for recirculation mode

All parts are included to install in recirculation mode.

Mounting for adequate support

- The hood must be secured to vertical studs in the wall. See the *Wall or Ceiling and Cabinet Preparation* section for vented or recirculation installation.
- We strongly recommend that the vent hood be on-site to accurately locate the ductwork and electrical service.
- Installation will be easier if the vent hood is installed before the cooktop and countertop are installed.

IMPORTANT: The vent hood must be secured to the cabinet and at least two wall studs and dry wall with anchors. The cabinet must be capable of supporting 100 lbs.

For answers to your Monogram® GE Profile™ or GE® appliance questions, visit our website at geappliances.com or call GE Answer Center® service, 800.626.2000.



POWER SUPPLY

IMPORTANT - (Please read carefully)

WARNING: FOR PERSONAL SAFETY, THIS APPLIANCE MUST BE PROPERLY GROUNDED.

Remove house fuse or open circuit breaker before beginning installation.

Do not use an extension cord or adapter plug with this appliance. Follow national electrical codes or prevailing local codes and ordinances.

Electric supply

These vent hoods must be supplied with 120V, 60Hz, and connected to an individual, properly grounded branch circuit, and protected by a 15 or 20 amp circuit breaker or time delay fuse.

- Wiring must be 2 wire with ground.
- If the electrical supply does not meet the above requirements, call a licensed electrician before proceeding.
- Route house wiring as close to the installation location as possible. Wiring can enter from the ceiling or rear wall. Route additional length from the ceiling or wall to reach the junction box.
- Connect the wiring to the house wiring in accordance with local codes.

Grounding instructions

The grounding conductor must be connected to a ground metal, permanent wiring system, or an equipment-grounded terminal or lead on the hood.

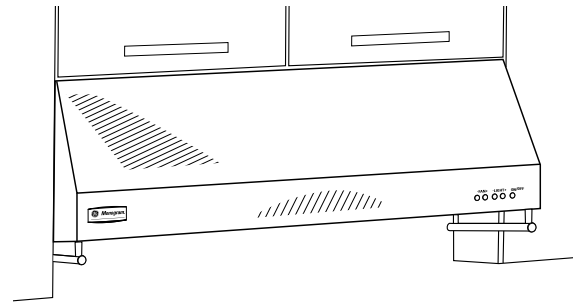
WARNING: The improper connection of the equipment-grounding conductor can result in a risk of electric shock. Check with a qualified electrician or service representative if you are in doubt whether the appliance is properly grounded.



ZV30HSRSS GE Monogram® 30" Wall-Mounted Hood

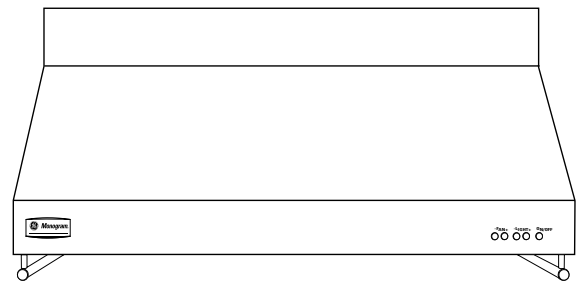
Features and Benefits

- GE Monogram 30" wall-mounted hood designed to be installed beneath a soffit or cabinet
- Straight-sided design with welded, hand-finished seams fits smoothly between cabinetry, making an attractive statement with clean, simple lines above a coordinating Monogram 30" range or cooktop
- 530-CFM, variable-speed ventilation system helps keep your kitchen free of fumes and excess heat
- Dual-halogen-lamp system with four levels of intensity illuminates the cooking surface below and can be adjusted to complement the dining occasion
- Electronic touch controls allow easy adjustment of fan and light settings
- Removable stainless steel filters trap airborne grease particles, and can be easily removed for safe cleaning in your dishwasher
- Brushed stainless steel utensil rod along each side of the hood provides a convenient place to hang cooking implements
- Recirculating kit is included for applications that do not allow outside venting
- 8" round duct required
- Model ZV30HSRSS – Stainless steel

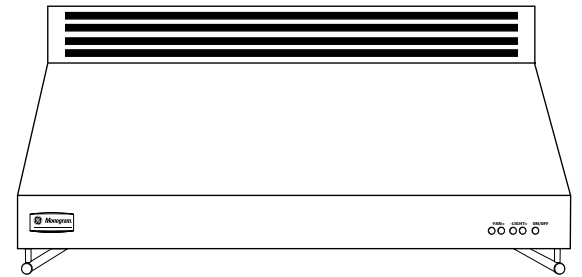


Installation without riser optional for vented applications

Riser Installation Options



3-1/2" riser installation option for vented applications



3-1/2" riser with louvers - required for recirculating applications



imagination at work