

Bosch Custom Dishwasher Planning Guide



Bosch Home Appliances

North America Corporate Office
5551 McFadden Avenue
Huntington Beach, CA 92649
1.800.944.2904
www.bosch-home.com/us

Bosch Home Appliances Canada

5800 Explorer Drive, Suite 310
Mississauga, Ontario, L4W 5K9
1.800.944.2904
www.bosch-home.ca



Everyone knows Germans craft brilliant and efficient machines.

The question is, Why? At Bosch, it's because we relish a challenge. We prize the ability to overcome technological obstacles in order to produce precise, powerful machines that perform better, are more intuitive to use and use fewer resources—while delivering world-class performance. Moreover, we aren't afraid of the exacting work it takes to produce elegant, stylish products with the most advanced technology available. Combine that with rigorous technical education, strict German efficiency guidelines and over two hundred days of rain each year—driving us inside for long periods—well, maybe it's not that difficult to understand what drives Germans to engineer the world's best machines.



Content

- | | |
|--|--|
| 1 Custom Panel Dishwashers | 17 ADA Dishwashers |
| 6 Planning for your Custom Panel Dishwasher | 18 Planning for your ADA Dishwasher |
| 13 18" Dishwashers | 20 Warranty |
| 14 Planning for your 18" Dishwasher | |

The most quiet and efficient dishwashers in the U.S.

Bosch's incredible line of dishwashers are fully customizable with a variety of sizes and styles available.

Brand Leader for Quietness*

A whisper is about 30 decibels and a normal conversation is about 60 decibels. As the quietest dishwasher in the U.S.,* the Bosch 800 Plus has a silence rating as low as 40 dBA, equivalent to a library. Bosch also has the quietest line of dishwashers available.

Efficiency

Bosch has a complete line of dishwashers with CEE Tier 2 efficiency. We're also the most energy and water efficient line in the U.S. Our advanced EcoSense™ Wash Management System measures soil levels, then adjusts water and heat usage automatically to reduce energy usage by up to 20%.

Performance

With Bosch, sophisticated technologies aren't just ultra-efficient, they're ultra-effective, getting dishes crystal clean and spot-free.

Capacity

Each Bosch dishwasher is designed to maximize space and flexibility, giving you the space you need to effectively organize your dishes and clean them more efficiently.



Safety

Bosch is the only U.S. manufacturer to offer a high-tech leak protection system in our dishwashers. AquaStop® is a precisely engineered tub and sensor system that detects leaks in the solid molded base of the dishwasher, shuts down operation and automatically pumps out water so it cannot make contact with the floor. This eliminates the risk of costly water damage. The AquaStop® Plus, available on the 800 Plus Series, includes an electro valve at the water tap and a unique, double-walled hose system for the most comprehensive safety system available.



All Bosch dishwashers are ENERGY STAR qualified. Bosch ENERGY STAR qualified models include many technical innovations that reduce energy and water consumption while improving performance, including EcoSense™, EcoAction® and condensation drying.



*Based on available sound information in on competitors' web sites, January 2011.
**Based on standard-size dishwashers, according to ENERGY STAR®.

You won't see it or hear it.

Fully Flush Custom Panel Dishwashers.

Custom Cabinet-Ready

Match your kitchen's custom cabinetry to our dishwasher for a new level of sophistication.

Fully Flush Look

Bosch custom panel dishwashers are the only dishwashers available that install fully flush for a seamless, integrated look.

Luxurious Value

Bosch's five custom panel models range from \$999-\$2,099 MSRP. At \$999 MSRP, our SHV43P13UC is the most affordable custom panel model on the market among leading brands.

Easy Installation

Everything needed to install your custom panel comes in the box.

Damage-Proof

Bosch's unique SaniDry™ condensation drying eliminates the risk of steam damage over time to custom panel wood cabinetry and countertops. The closed system heats dishes with hot water from the final rinse.

Custom panels can be used to seamlessly integrate your dishwasher into your kitchen. You won't see it or hear it.



Decisions, decisions.

Bosch Custom Panel

Step Up Features

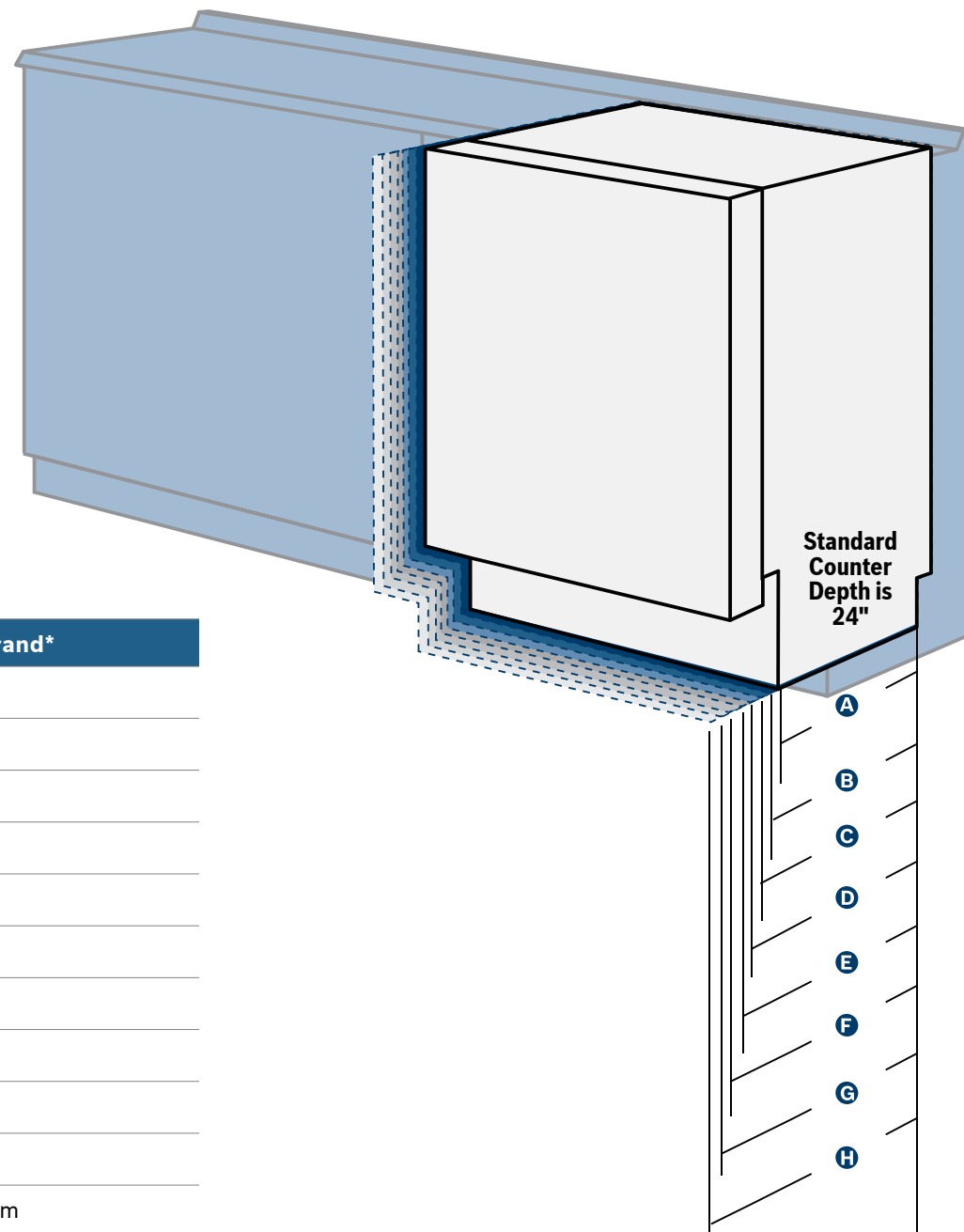
Integra® custom panel models

	SHV43P13UC	SHV65P03UC	SHV68P03UC	SHV58E13UC	SHV68E13UC
	300 Series	500 Series	800 Series	800 Plus Series	800 Plus Series
Quietness	- 50 dBA	- 47 dBA	- 44 dBA	- 45 dBA	- 40 dBA
Water Efficiency	- 2.86 gallons/load	- 2.86 gallons/load	- 2.21 gallons/load	- 1.56 gallons/load	- 1.56 gallons/load
Energy Efficiency	- 259 kWh/yr	- 259 kWh/yr	- 234 kWh/yr	- 259 kWh/yr	- 180 kWh/yr
Cycles	- 4 Wash Cycles	- 6 Wash Cycles	- 6 Wash Cycles	- 5 Wash Cycles	- 6 Wash Cycles
Options	- 1 Option	- 3 Options	- 3 Options	- 3 Options	- 5 Options
Tub	- Stainless Steel Tall Tub	- Stainless Steel Tall Tub	- Stainless Steel Tall Tub	- Stainless Steel Tall Tub	- Stainless Steel Tall Tub
Racks	- 300 Series - Manual Height Adjustable Upper Rack - 1 Flip Tine	- 500 Series - Rackmatic® Adjustable Upper Rack - 2 Flip Tines	- 800 Series - Rackmatic® Adjustable Upper Rack - 4 Flip Tines	- Vario™ Flex Plus Racks - Rackmatic® Plus Adjustable Upper Rack - Third Rack - 2 Flip Tines	- Vario™ Flex Plus Racks - Rackmatic® Plus Adjustable Upper Rack - Third Rack - 7 Flip Tines
Safety	- AquaStop®	- AquaStop®	- AquaStop®	- AquaStop® Plus	- AquaStop® Plus

Bosch – the premier choice for custom panel.

Clean dishes, clean lines. A flush Bosch look.

Comparative Competitor Depth Chart



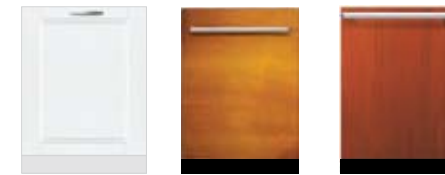
	Depth by Brand*	
A	22 ⁷ / ₁₆ "	Miele
B	22 ¹ / ₂ "	Bosch
C	22 ³ / ₄ "	Fagor
D	23 ⁵ / ₈ "	Asko
D	23 ⁵ / ₈ "	Dacor
E	23 ⁷ / ₈ "	Viking
F	24 ¹ / ₂ "	KitchenAid
F	24 ¹ / ₂ "	Kenmore
F	24 ¹ / ₂ "	Jenn-Air
G	24 ⁵ / ₈ "	Electrolux
H	24 ³ / ₄ "	GE Monogram

* Installation dimensions considering 3/4" custom door panel. Information from retailers website as of January 2011.

Central Intelligence™ System

Comparative Competitor Features Chart

Price range from \$1,449 – \$1,499



Brand	Bosch	Asko	Viking
SKU	SHV58E13UC	D5253XXLFI	DFB450
Price (Custom Panel)	\$1,449.00	\$1,449.00	\$1,499.00
dBa	45	47	N/A
Energy usage (kWh/yr)	259	257	276
Water usage (gallons)	1.56	3.8	4.47
Number of cycles	5	6	5
Number of options	3	4	4
Safety system	AquaStop Plus 24/7 Leak Protection System	AquaSafe™	Central Intelligence™ System
Closed Drying	Yes	No	No
Indicator light	Yes	Yes	Yes
Depth	22 3/8"	23 5/8"	23 3/8"
Racks	3	4	2

Price \$1,199



Brand	Bosch	Asko	KitchenAid
SKU	SHV65P03UC	D5233XXLFIENC	KUDS40FVPA
Price (custom panel)	\$1,199.00	\$1,199.00	\$1,199.00
dBa	47	49	51
Energy usage (kWh/yr)	259	259	315
Water usage	2.21	3.82	4.15
Number of cycles	6	6	4
Number of options	3	2	6
Safety system	AquaStop Plus 24/7 Leak Protection System	AquaSafe™	N/A
Closed drying	Yes	No	No
Indicator light	Yes	Yes	No
Depth	22 1/2"	23 5/8"	24 1/2"
Racks	2	2	2

Product specifications and MSRP from retailers website as of January 2011.



Planning for your Custom Panel Dishwasher

Before installing a Bosch dishwasher, be sure to verify the cabinet dimensions, electrical connections and water connections. Always consult the installation manual included with the product for complete details before installing.

What to consider when installing a custom panel dishwasher

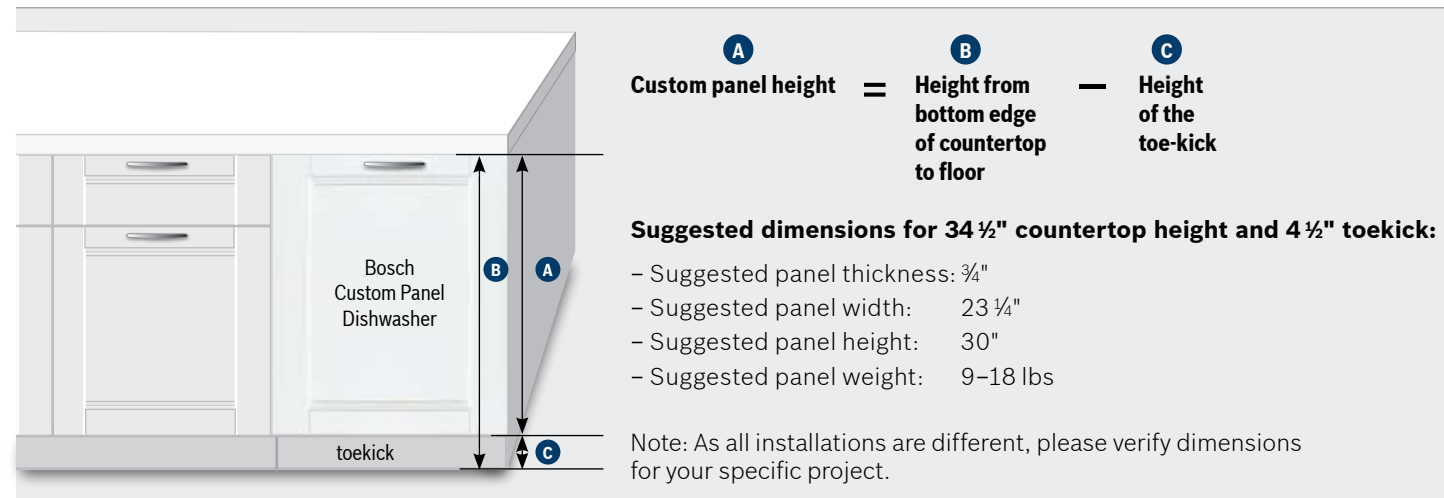
Bosch dishwashers are designed to be surrounded by standard residential kitchen cabinetry. If the dishwasher is to be installed in a corner, make sure that there is adequate clearance of 27" to open the door.

For SHV43P13UC, SHV65P03UC, and SHV68P03UC

- Minimum opening height: 34" (860 mm)
- Minimum opening width: 24" (610 mm) or 23 5/8" (600 mm) Wide with decor strips removed

For SHV58E13UC and SHV68E13UC

- Minimum opening height: 34 1/4" (865 mm)
- Minimum opening width: 24" (610 mm) or 23 5/8" (600 mm) Wide with decor strips removed



Installation options

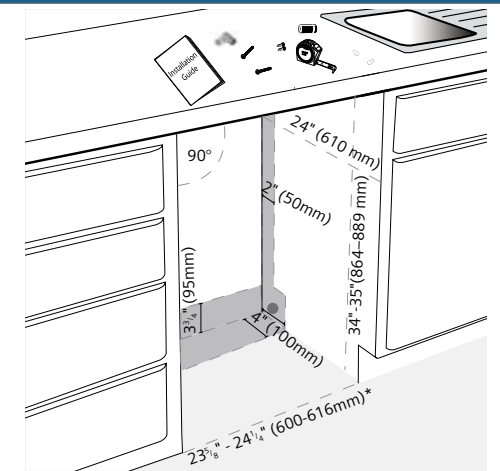
Custom panel models allow you to have a door panel made to match your cabinetry. The door panel can be a two-piece design (model 1) to look like a drawer at the top and a cabinet door at the bottom or a single full-length door (model 2). A template is included with the custom panel models to explain the mounting procedure. Additional templates can be ordered by calling customer service at 1-800-944-2904.

NOTE: The door springs that are included with the custom panel units will provide proper function for custom door panels weighing between 9 and 18 pounds. SHV43P13UC, SHV65P03UC, and SHV68P03UC allow you to adjust the screw tension to accommodate for the weight of the door panel. SHV58E13UC and SHV68E13UC require no tension adjustment screws as the hinges self adjust to weights ranging from 9 to 18 pounds.



Water and electrical locations

For proper dishwasher operation and appearance, ensure the enclosure is square and the openings allow for passage of water, drain and electrical line. Select a location as close to the sink as possible for easy access to water supply and drain lines. In order to avoid interference with the dishwasher when sliding it into the cabinet, place your openings within the dimensions shown. Plumbing and electrical supply hoses must attach to the dishwasher within the shaded area.



Note: Plumbing installations will vary – refer to local codes. The maximum length of the drain hose, including hose leading to air gap (if any) is 150" (3810 mm). Ensure a portion of the drain hose is raised at least 20" (508 mm) above the floor to ensure proper draining.

Special consideration for SHV58E13UC and SHV68E13UC

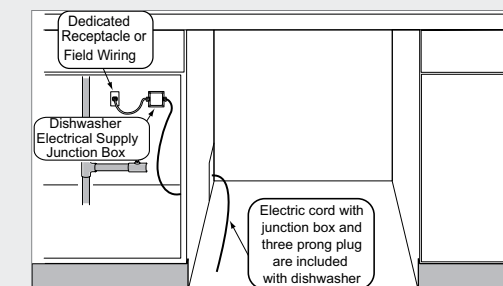
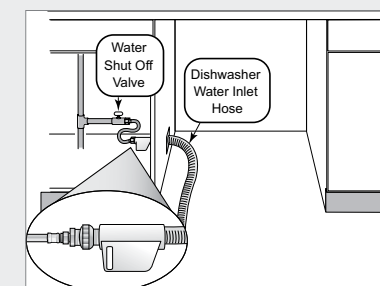
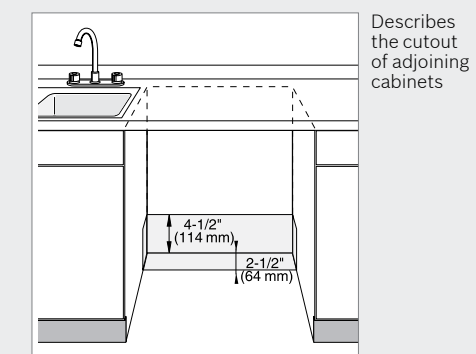
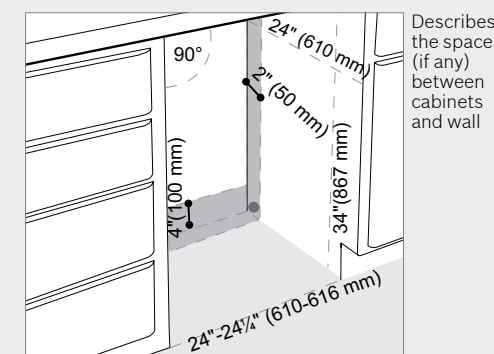
4 1/4" x 2" (108 x 52 mm) – To pass the included electrical supply junction box through to an adjacent cabinet
4" x 2" (100 x 50 mm) – To pass the included water supply line to the water supply
1 1/4" (32 mm) diameter – To pass the dishwasher drain hose to the drain connection

NOTE: If the incoming electric supply, water supply and drain connections are all in the same cabinet, the one 4 1/4" x 2" (108 x 52 mm) hole will generally be large enough for all three parts to pass through.

The dishwasher electrical supply junction box and dedicated receptacle must be mounted in an accessible cabinet adjacent to the dishwasher (do not mount the junction box or receptacle behind the dishwasher).

The electrical supply can be connected in one of two ways:

1. Use the included three prong plug and junction box to connect to a dedicated household receptacle.
2. Permanently connect to household or field wiring



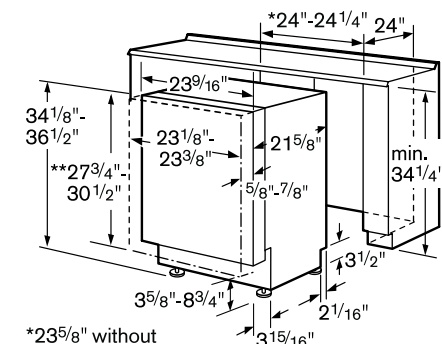
800 Plus Series Custom Panel Dishwasher

Model shown: SHV68E13UC



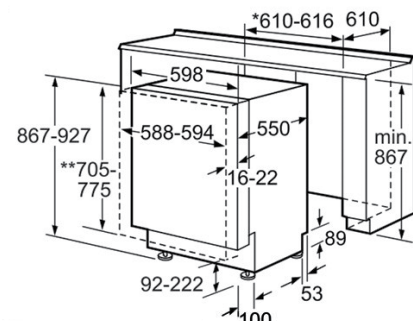
Dishwasher dimensions

Measurements in inches



*23 5/8" without decor strips.
 **Measured from the lower edge of the worktop. Recommended panel thickness 3/4". Panel weight 9-18 lb.

Measurements in mm



*600 mm without decor strips.
 **Measured from the lower edge of the worktop. Recommended panel thickness = 19 mm. Panel weight 4-8 kg.

	SHV68E13UC
Appearance	<ul style="list-style-type: none"> - Stainless Steel TallTub - Six Wash Cycles and Five Options
Quietness	<ul style="list-style-type: none"> - Virtually Silent: 40 dBA - Quietest Dishwasher in the U.S. - InfoLight® Cycle Indicator LED - Solid Base Contains Sound & Prevents Leaks
Efficiency	<ul style="list-style-type: none"> - 180 kWh/yr-ENERGY STAR® Qualified - Uses only 1.56 gallons of Water per Load - Exceeds ENERGY STAR Requirements by 86% for Energy and 269% for Water - Most Efficient Dishwasher in the U.S. - EcoAction® Option – Bosch Exclusive - EcoSense™ Reduces Energy Usage up to 20% - Half-load Option for Small Loads
Safety	<ul style="list-style-type: none"> - AquaStop® Plus Four-part 24/7 Leak Protection - Sanitize Option Removes Bacteria & Enhances Drying
Capacity	<ul style="list-style-type: none"> - 15 Place Setting Capacity - Third Rack for Additional Loading Capacity - VarioFlex™ Plus Racks for Flexible Loading - RackMatic® Plus Allows Three Loading Levels - Extra Tall Item Sprinkler Cleans Items 22" Tall
Performance	<ul style="list-style-type: none"> - Water Softener Ensures Perfect Cleaning - ActiveTab® Tray Optimizes Detergent Dissolving - Variable Spray Pressure - Load Size Sensor Automates Wash Cycle
Convenience	<ul style="list-style-type: none"> - Multi-Function LED with Remaining Time - 24 Hour Delay Start Timer - Quick Wash-In 30 Minutes or Less

Specifications	
Product Width	23 9/16"
Product Height	34 1/8" - 36 1/2"
Product Depth	21 5/8"
Door Clearance	27"
Cutout Width (Min.)	24" - 24 1/4"
Cutout Height (Min.)	34 1/4"
Cutout Depth (Min.)	24"
Variable Height	1 3/8"
Total Amps	12
Electrical Supply	120 V/60 Hz
Required Circuit Breaker	15 Amp
Power Cord	Included
Water Hose	Included
Max. Temp. for Water Intake	120° F
Length Outlet Hose	55 1/8" (extend to max of 150")
Shipping Weight (lbs.)	125

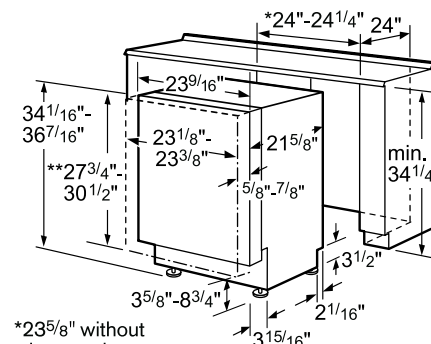
800 Plus Series Custom Panel Dishwasher

Model shown: SHV58E13UC



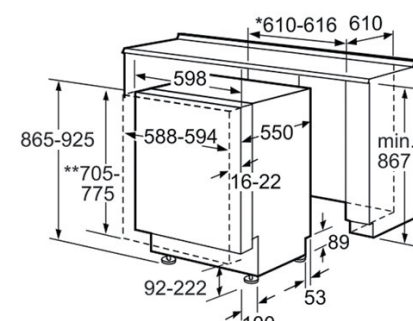
Dishwasher dimensions

Measurements in inches



*23 5/8" without decor strips.
 **Measured from the lower edge of the worktop. Recommended panel thickness 3/4". Panel weight 9-18 lb.

Measurements in mm



*600 mm without decor strips.
 **Measured from the lower edge of the worktop. Recommended panel thickness = 19 mm. Panel weight 4-8 kg.

	SHV58E13UC
Appearance	<ul style="list-style-type: none"> - Stainless Steel TallTub - Five Wash Cycles and Three Options
Quietness	<ul style="list-style-type: none"> - Virtually Silent: 45 dBA - InfoLight® Cycle Indicator LED - Solid Base Contains Sound & Prevents Leaks
Efficiency	<ul style="list-style-type: none"> - 259 kWh/yr-ENERGY STAR® Qualified - Uses only 1.56 gallons of water per load - Exceeds ENERGY STAR Requirements by 26% for Energy and 269% for Water - EcoAction® Option—Bosch Exclusive - EcoSense™ Reduces Energy Usage up to 20% - Half-load Option for Small Loads
Safety	<ul style="list-style-type: none"> - AquaStop® Plus Four-part 24/7 Leak Protection
Capacity	<ul style="list-style-type: none"> - 15 Place Setting Capacity - Third Rack for Additional Loading Capacity - VarioFlex™ Racks for Flexible Loading - RackMatic® Plus Allows Three Loading Levels - Extra Tall Item Sprinkler Cleans Items 22" Tall
Performance	<ul style="list-style-type: none"> - Water Softener Ensures Perfect Cleaning - ActiveTab® Tray Optimizes Detergent Dissolving - Variable Spray Pressure
Convenience	<ul style="list-style-type: none"> - Multi-Function LED with Remaining Time - 24 Hour Delay Start Timer - Quick Wash-In 30 Minutes or Less

Specifications	
Product Width	23 9/16"
Product Height	34 1/8" - 36 7/16"
Product Depth	21 5/8"
Door Clearance	27"
Cutout Width (Min.)	24" - 24 1/4" or 23 5/8" with decor strips removed
Cutout Height (Min.)	34 1/4"
Cutout Depth (Min.)	24"
Variable Height	1 3/8"
Total Amps	12
Electrical Supply	120 V/60 Hz
Required Circuit Breaker	15 Amp
Power Cord	Included
Water Hose	Included
Max. Temp. for Water Intake	120° F
Length Outlet Hose	55" (extend to max of 150")
Shipping Weight (lbs.)	125

800 Series Custom Panel Dishwasher

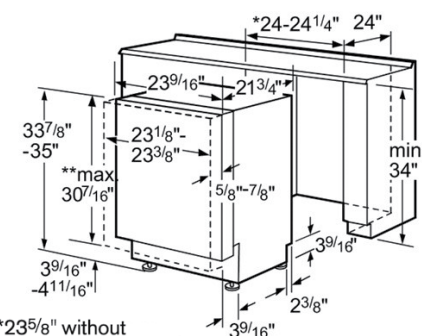
Model shown: SHV68P03UC



	SHV68P03UC
Appearance	<ul style="list-style-type: none"> - Stainless Steel TallTub - Six Wash Cycles and Three Options
Quietness	<ul style="list-style-type: none"> - Virtually Silent: 44 dBA - InfoLight® Cycle Indicator LED - Solid Base Contains Sound and Prevents Leaks
Efficiency	<ul style="list-style-type: none"> - 234 kWh/yr-ENERGY STAR® Qualified - Uses only 2.21 gallons of Water per Load - Exceeds ENERGY STAR Requirements by 39% for Energy and 162% for Water - EcoSense™ Reduces Energy Usage up to 20% - Half-load Option for Small Loads
Safety	<ul style="list-style-type: none"> - AquaStop® Leak Protection - NSF-certified-Eliminates 99.9% of Bacteria
Capacity	<ul style="list-style-type: none"> - 14 Place Setting Capacity - 800 Series Racks with Flexible Silverware Basket - RackMatic® Automatically Adjustable Upper Rack - Extra Tall Item Sprinkler Cleans Items 22" Tall
Performance	<ul style="list-style-type: none"> - Variable Spray Pressure
Convenience	<ul style="list-style-type: none"> - Multi-Function LED with Remaining Time - 19 Hour Delay Start Timer - Quick Wash-In 30 Minutes or Less

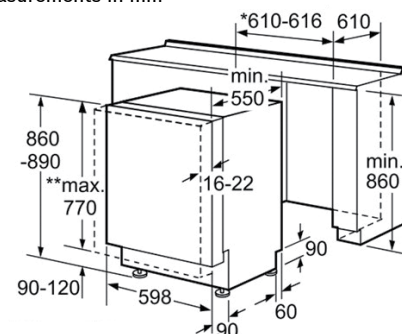
Dishwasher dimensions

Measurements in inches



*23 5/8" without decor strips.
 **Measured from the lower edge of the worktop. Recommended panel thickness 3/4". Panel weight 9-18 lb.

Measurements in mm



*600 mm without decor strips.
 **Measured from the lower edge of the worktop. Recommended panel thickness = 19 mm. Panel weight 4-8 kg.

Specifications	
Product Width	23 5/8"
Product Height	33 7/8" - 35"
Product Depth	21 3/4"
Door Clearance	27"
Cutout Width (Min.)	24" - 24 1/4" or 23 5/8" with decor strips removed
Cutout Height (Min.)	34"
Cutout Depth (Min.)	24"
Variable Height	1 1/8"
Total Amps	12
Electrical Supply	120 V/60 Hz
Required Circuit Breaker	15 Amp
Power Cord	Purchased Separately
Water Hose	Purchased Separately
Max. Temp. for Water Intake	120° F
Length Outlet Hose	150"
Shipping Weight (lbs.)	125

500 Series Custom Panel Dishwasher

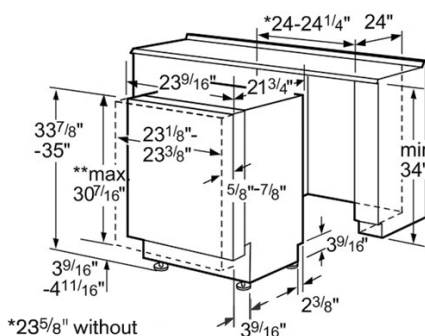
Model shown: SHV65P03UC



	SHV65P03UC
Appearance	<ul style="list-style-type: none"> - Stainless Steel TallTub - Six Wash Cycles and Three Options
Quietness	<ul style="list-style-type: none"> - Virtually Silent: 47 dBA - InfoLight® Cycle Indicator LED - Solid Base Contains Sound and Prevents Leaks
Efficiency	<ul style="list-style-type: none"> - 259 kWh/yr-ENERGY STAR® Qualified - Uses only 2.21 Gallons of Water per Load - Exceeds ENERGY STAR Requirements by 26% for Energy and 103% for Water - EcoSense™ Reduces Energy Usage up to 20% - Half-load Option for Small Loads
Safety	<ul style="list-style-type: none"> - AquaStop® Leak Protection - NSF-certified-Eliminates 99.9% of Bacteria
Capacity	<ul style="list-style-type: none"> - 14 Place Setting Capacity - 500 Series Racks with Flexible Silverware Basket - RackMatic® Automatically Adjustable Upper Rack - Extra Tall Item Sprinkler Cleans Items 22" Tall
Convenience	<ul style="list-style-type: none"> - Multi-Function LED with Remaining Time - 19 Hour Delay Start Timer - Quick Wash-In 30 Minutes or Less

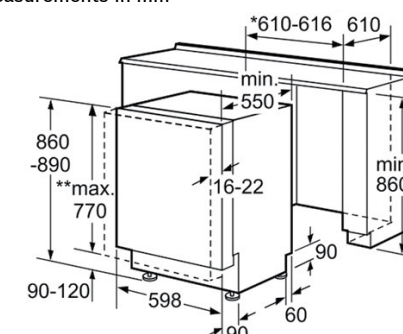
Dishwasher dimensions

Measurements in inches



*23 5/8" without decor strips.
 **Measured from the lower edge of the worktop. Recommended panel thickness 3/4". Panel weight 9-18 lb.

Measurements in mm



*600 mm without decor strips.
 **Measured from the lower edge of the worktop. Recommended panel thickness = 19 mm. Panel weight 4-8 kg.

Specifications	
Product Width	23 5/8"
Product Height	33 7/8" - 35"
Product Depth	21 3/4"
Door Clearance	27"
Cutout Width (Min.)	24" - 24 1/4" or 23 5/8" with decor strips removed
Cutout Height (Min.)	34"
Cutout Depth (Min.)	24"
Variable Height	1 1/8"
Total Amps	12
Electrical Supply	120 V/60 Hz
Required Circuit Breaker	15 Amp
Power Cord	Purchased Separately
Water Hose	Purchased Separately
Max. Temp. for Water Intake	120° F
Length Outlet Hose	150"
Shipping Weight (lbs.)	125

300 Series Custom Panel Dishwasher

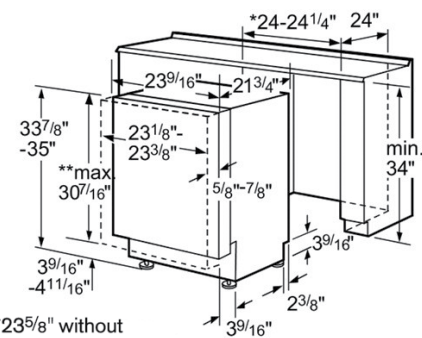
Model shown: SHV43P13UC



	SHV43P13UC
Appearance	<ul style="list-style-type: none"> - Stainless Steel TallTub - Four Wash Cycles and One Option
Quietness	<ul style="list-style-type: none"> - Virtually Silent: 50 dBA - Solid Base Contains Sound and Prevents Leaks
Efficiency	<ul style="list-style-type: none"> - 259 kWh/yr-ENERGY STAR® Qualified - Uses Only 2.86 Gallons of Water per Load - Exceeds ENERGY STAR Requirements by 26% for Energy and 103% for Water - EcoSense™ Reduces Energy Usage up to 20% - Half-load Option for Small Loads
Safety	<ul style="list-style-type: none"> - AquaStop® Leak Protection - NSF-certified-Eliminates 99.9% of Bacteria
Capacity	<ul style="list-style-type: none"> - 14 Place Setting Capacity - 300 Series Racks with Flexible Silverware Basket - Manual Height Adjustment Upper Rack
Convenience	<ul style="list-style-type: none"> - Quick Wash-In 30 Minutes or Less

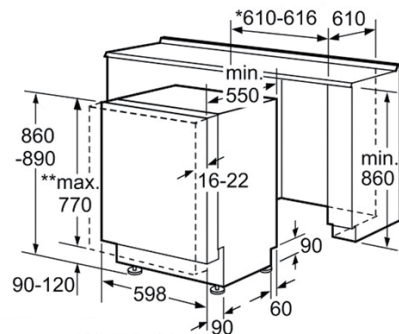
Dishwasher dimensions

Measurements in inches



*23 5/8" without decor strips.
 **Measured from the lower edge of the worktop. Recommended panel thickness 3/4". Panel weight 9-18 lb.

Measurements in mm



*600 mm without decor strips.
 **Measured from the lower edge of the worktop. Recommended panel thickness = 19 mm. Panel weight 4-8 kg.

18" Dishwashers – a convenient slim design.

18" dishwashers offer powerful dish cleaning convenience in spite of space constraints. Perfect for bars, butlers pantries or even as a second dishwasher in the kitchen.

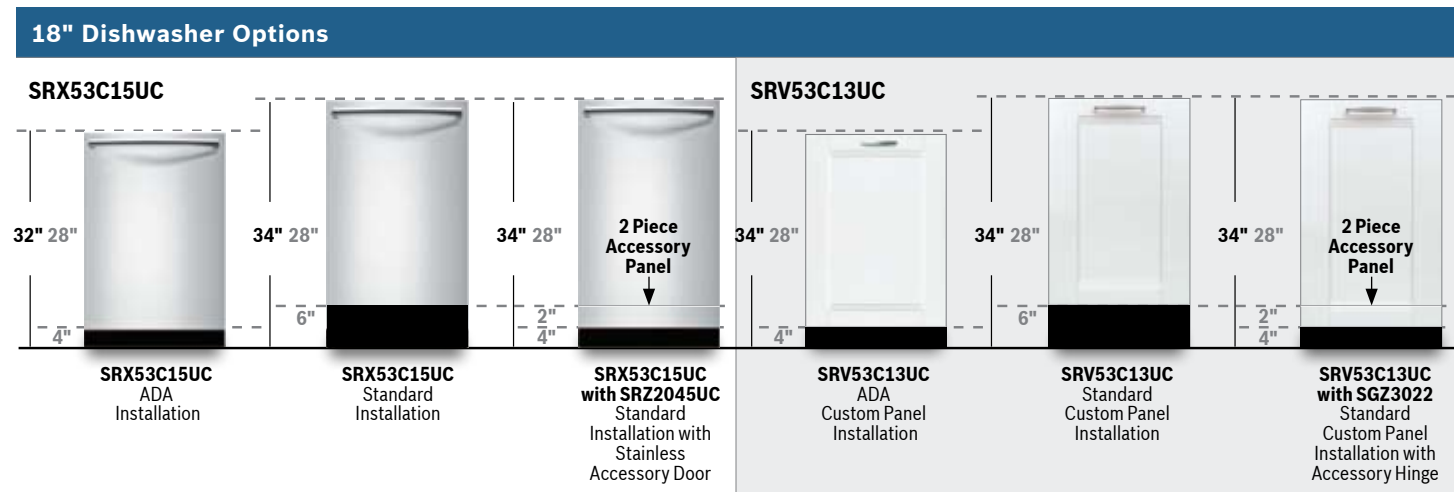
Large capacity in a small space

Our 18" dishwashers offer large cleaning capacity in a small space. They hold nine place settings. Dishwashers can be ordered stainless or custom panel ready, and fit both U.S. and E.U. countertop and toekick heights. In addition, all of our 18" dishwashers meet ADA requirements.



Planning for your 18" Dishwasher

Before installing a Bosch dishwasher, be sure to verify the cabinet dimensions, electrical connections and water connections. Always consult the installation manual included with the product for complete details before installing.



What to consider when installing an 18" dishwasher

Bosch dishwashers are designed to be surrounded by standard residential kitchen cabinetry. If the dishwasher is to be installed in a corner, make sure that there is adequate clearance of 25" to open the door.

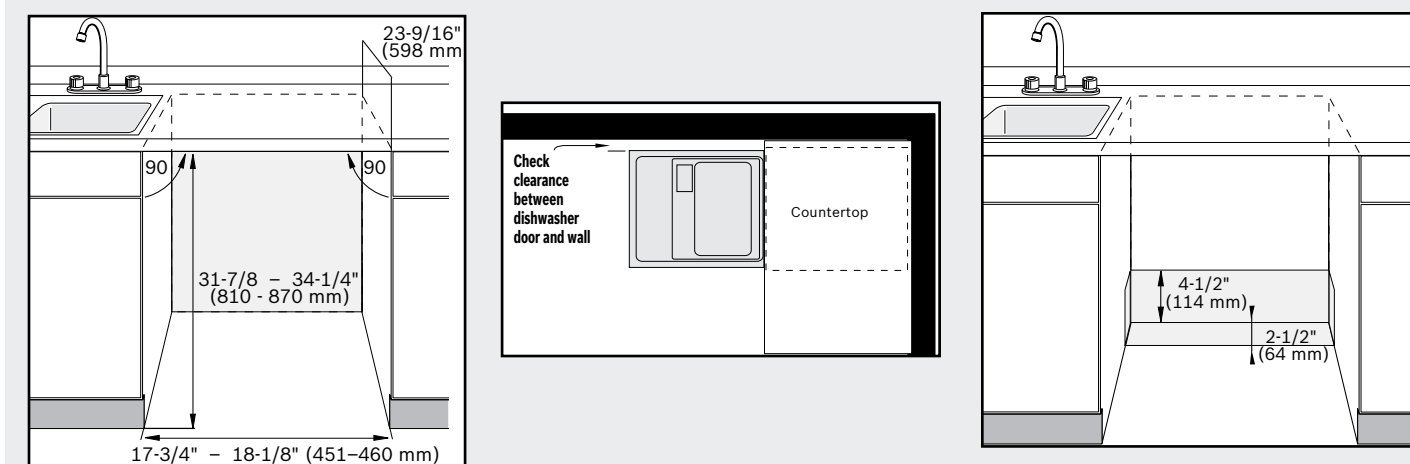
- For 18" dishwashers, the opening should be at least 31 7/8" High and 17 3/4" Wide.

Note: As all installations are different, please verify dimensions for your specific project.

Water and electrical locations

For proper dishwasher operation and appearance, ensure the enclosure is square and the openings allow for passage of water, drain and electrical line. Select a location as close to the sink as possible for easy access to water supply and drain lines. In order to avoid interference with the dishwasher when sliding it into the cabinet, place your openings within the dimensions shown. Plumbing and electrical supply hoses must attach to the dishwasher within the shaded area.

Note: Plumbing installations will vary – refer to local codes. The maximum length of the drain hose, including hose leading to air gap (if any) is 150" (3810 mm). Ensure a portion of the drain hose is raised at least 20" (508 mm) above the floor to ensure proper draining.



Required Openings:

- 4 1/4" x 2" (108 x 52 mm) – To pass the included electrical supply junction box through to an adjacent cabinet
- 3" x 1 3/4" (76 x 45 mm) – To pass the included water supply line toward the water supply
- 1 1/4" (32 mm) diameter – To pass the dishwasher drain hose toward the drain connection

Note:

If the incoming electric supply, water supply and drain connections are all in the same cabinet, the one 4 1/4" x 2" (108 x 52 mm) hole will be large enough for all three to pass through.

The electrical supply can be connected in one of two ways:

1. Use the included three prong plug and junction box to connect to a dedicated household receptacle.
2. Permanently connect to household or field wiring

18" dishwashers

Model shown: SRX53C15UC



SRX53C15UC & SRV53C13UC	
Appearance	<ul style="list-style-type: none"> - Stainless Steel EuroTub - Five Wash Cycles and One Option - ADA Compliant for Lower Countertop Installation
Quietness	<ul style="list-style-type: none"> - Virtually Silent: 49 dBA - Solid Base Contains Sound and Prevents Leaks
Efficiency	<ul style="list-style-type: none"> - 306 kWh/yr-ENERGY STAR® Qualified - Uses only 2.98 gallons of water per load - Exceeds ENERGY STAR Requirements by 6% for Energy and 101% for Water - EcoSense™ Reduces Energy Usage up to 20%
Safety	<ul style="list-style-type: none"> - AquaStop® Leak Protection
Capacity	<ul style="list-style-type: none"> - 9 Place Setting Capacity - Premium Racks with Flexible Silverware Basket - RackMatic® Automatically Adjustable Upper Rack
Convenience	<ul style="list-style-type: none"> - Multi-Function LED with Remaining Time - 19 Hour Delay Start Timer - Quick Wash-In 35 Minutes or Less

Model shown: SRV53C13UC



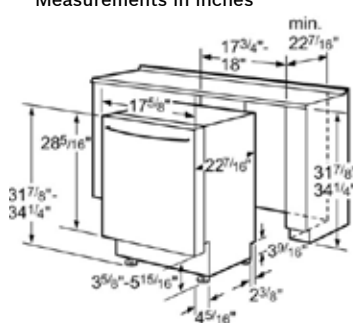
Specifications	
Product Width	17 5/8"
Product Height	31 7/8" - 34 1/4"
Product Depth	22 7/16" (SS)* 21 5/8" (CP)*
Door Clearance	25"
Cutout Width (Min.)	17 3/4" - 18"
Cutout Height (Min.)	31 7/8" - 34 1/4"
Cutout Depth (Min.)	22 7/16"
Variable Height	1 1/8"
Total Amps	12
Electrical Supply	120 V/60 Hz
Required Circuit Breaker	15 Amp
Power Cord	Purchased Separately
Water Hose	Purchased Separately
Max. Temp. for Water Intake	120° F
Length Outlet Hose	150"
Shipping Weight (lbs.)	125

* (SS) Stainless Steel (CP) Custom Panel

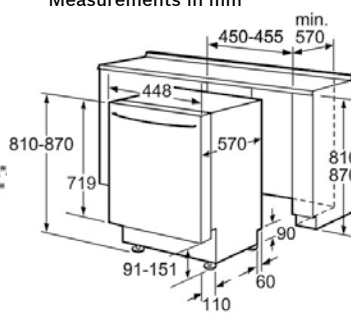
Dishwasher dimensions

SRX53C15UC

Measurements in inches

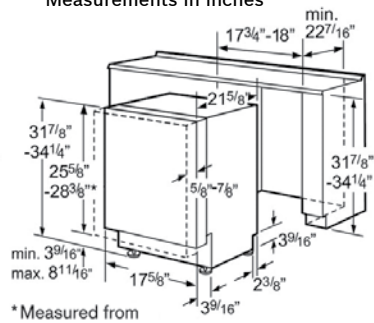


Measurements in mm



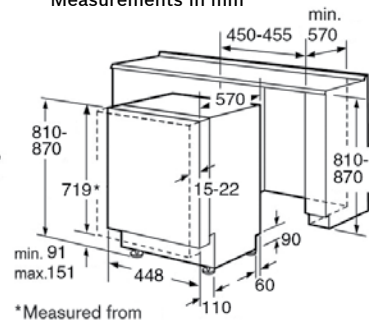
SRV53C13UC

Measurements in inches



* Measured from the lower edge of the worktop. Recommended panel thickness 3/4"

Measurements in mm



* Measured from the lower edge of the worktop. Recommended panel thickness = 19 mm.

ADA Dishwashers

Bosch's ADA dishwashers are uniquely designed for customers with special height requirements.

Bosch's ADA dishwashers are among the most flexible we have to offer. These dishwashers offer a large load capacity while featuring shorter tub dimensions that allow for easy installation. Install for traditional ADA use or at a higher position for a 6 1/2" toekick that allows for a polished European look. This easily integrates into residential and commercial kitchens.



Planning for your ADA Dishwasher

Before installing a Bosch dishwasher, be sure to verify the cabinet dimensions, electrical connections and water connections. Always consult the installation manual included with the product for complete details before installing.

What to consider when installing an ADA dishwasher

Bosch dishwashers are designed to be enclosed on the top and both sides by standard residential kitchen cabinetry. If the dishwasher is to be installed in a corner, make sure that there is adequate clearance of 25" to open the door.

- For ADA dishwashers, the opening should be at least 32 1/16" (815 mm) High and 24" (616 mm) Wide or 23 5/8" (610 mm) Wide with decor strips removed.

- Select a location as close to the sink as possible for easy access to water supply and drain lines.

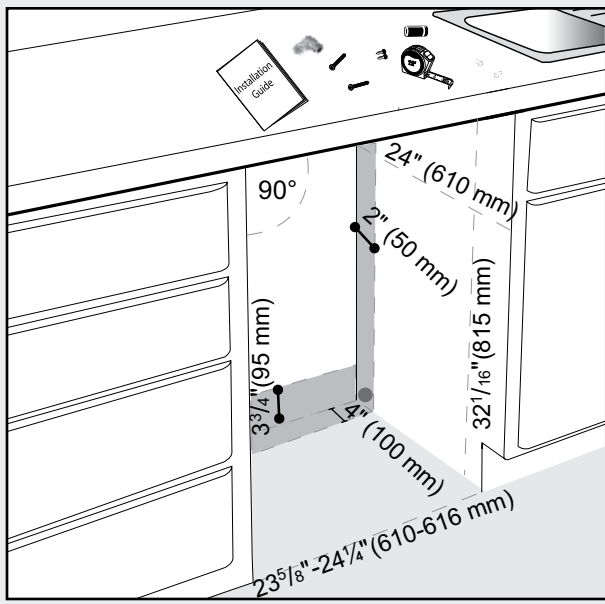
Note: As all installations are different, please verify dimensions for your specific project.

Water and electrical locations

For proper dishwasher operation and appearance, ensure the enclosure is square and the openings allow for passage of water, drain and electrical line. Select a location as close to the sink as possible for easy access to water supply and drain lines. In order to avoid interference with the dishwasher when sliding it into the cabinet, place your openings within the dimensions shown. Plumbing and electrical supply hoses must attach to the dishwasher within the shaded area.

The dishwasher electrical supply junction box and dedicated receptacle must be mounted in an accessible cabinet adjacent to the dishwasher (do not mount the junction box or receptacle behind the dishwasher). You will need a 4 3/4" x 2" (108 x 52 mm) opening through the cabinet in order to pass the junction box through.

Note: Plumbing installations will vary – refer to local codes. The maximum length of the drain hose, including hose leading to air gap (if any) is 150" (3810 mm). Ensure a portion of the drain hose is raised at least 20" (508 mm) above the floor to ensure proper draining.



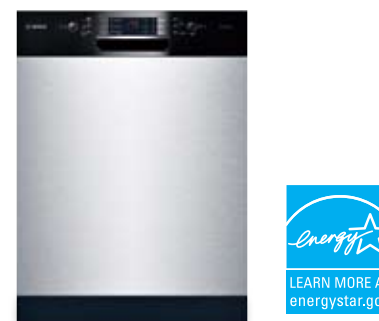
- Make sure the opening is at least 32 1/16" (815 mm) High and 23 5/8" (610-616 mm) Wide.

The electrical supply can be connected in one of two ways:

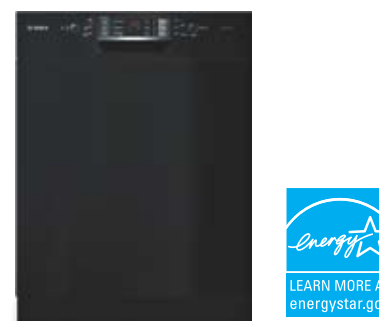
- 1. Use the included three prong plug and junction box to connect to a dedicated household receptacle.**
- 2. Permanently connect to household or field wiring.**

ADA dishwashers

Model shown: SGE63E05UC



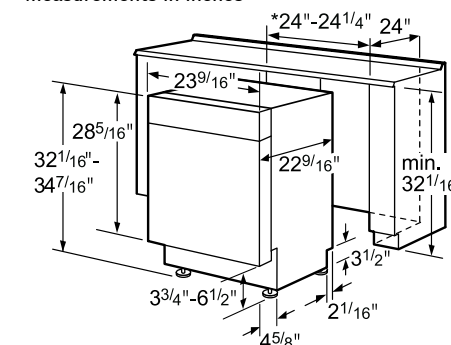
Model shown: SGE63E06UC



	SGE63E05UC & SGE63E06UC
Appearance	- Stainless Steel EuroTub - Six Wash Cycles and Five Options - ADA Compliant for Lower Countertop Installation
Quietness	- Virtually Silent: 49 dBA - Solid Base Contains Sound and Prevents Leaks
Efficiency	- 234 kWh/yr-ENERGY STAR® Qualified - Uses only 1.56 gallons of Water per Load - Exceeds ENERGY STAR Requirements by 42% for Energy and 269% for Water - EcoAction™ Option-Bosch Exclusive - EcoSense™ Reduces Energy Usage up to 20% - Half-load Option for Small Loads
Safety	- AquaStop® Plus Four-part 24/7 Leak Protection - Sanitize Option Removes Bacteria & Enhances Drying
Capacity	- 14 Place Setting Capacity - Vario™ Racks with Flexible Silverware Basket - RackMatic® Automatically Adjustable Upper Rack - Extra Tall Item Sprinkler Cleans Items 22" Tall
Performance	- Water Softener Ensures Perfect Cleaning
Convenience	- Multi-Function LED with Remaining Time - 24 Hour Delay Start Timer - Quick Wash-In 30 Minutes or Less

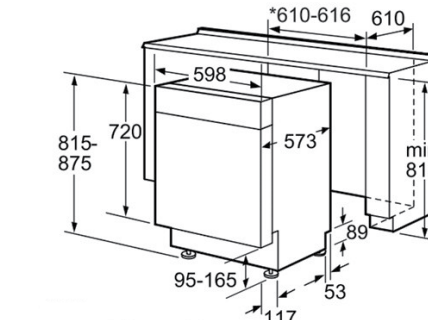
Dishwasher dimensions

Measurements in inches



* 23 5/8" without decor strips.

Measurements in mm



* 600 mm without decor strips.

Specifications	
Product Width	23 5/8"
Product Height	32 1/16" - 34 7/16"
Product Depth	22 9/16"
Door Clearance	27"
Cutout Width (Min.)	24 - 24 1/4" or 23 5/8" with decor strip removed
Cutout Height (Min.)	32 1/16"
Cutout Depth (Min.)	24"
Variable Height	2 3/8"
Total Amps	12
Electrical Supply	120 V/60 Hz
Required Circuit Breaker	15 Amp
Power Cord	Included
Water Hose	Included
Max. Temp. for Water Intake	120° F
Length Outlet Hose	55" (extend to a max of 150")
Shipping Weight (lbs.)	125

Warranty

How Long the Warranty Lasts

Bosch warrants its products are free from defects in materials and workmanship for a period of three hundred sixty five (365) days (i.e., 1 year) from the date of purchase. The foregoing timeline begins on the date of purchase, and shall not be stalled, tolled, extended, or suspended, for any reason whatsoever. Labor and shipping costs are included in this basic coverage.

Extended Limited Warranty

Bosch also provides these additional limited warranties:

2 Year Limited Warranty

Bosch will repair or replace any component that proves to be defective in materials or workmanship (excludes labor charges).

5 Year Limited Warranty on Electronics

Bosch will repair or replace any Bosch microprocessor or printed circuit board if it proves to be defective in materials or workmanship (excludes labor charges).

5 Year Limited Warranty on Dishwasher Racks

Bosch will replace the upper or lower dishwasher rack (excluding rack components), if the rack proves defective in materials or workmanship (excludes labor charges).

Lifetime Warranty against Stainless Steel Rust Through

Bosch will replace your dishwasher with the same model or a current model that is substantially equivalent or better in functionality, if the inner liner should rust through (excludes labor charges). Bosch will replace the stainless steel door if the door should rust through (excludes labor charges).

