



**SPLIT TYPE
ROOM AIR CONDITIONER
WALL MOUNTED type**

**SERVICE
MANUAL**

Models

Indoor unit	Outdoor unit
MW18Y3F	MR18Y3F

CONTENTS

SPECIFICATIONS	1
OUTLINE AND DIMENSIONS	2
REFRIGERANT SYSTEM DIAGRAM	3
CIRCUIT DIAGRAM	4
INDOOR PCB CIRCUIT DIAGRAM	5
OUTDOOR PCB CIRCUIT DIAGRAM	8
ERROR CONTENTS.....	10
DISASSEMBLY ILLUSTRATION	11
PARTS LIST	14
STANDARD ACCESSORIES	16

SPECIFICATIONS

TYPE	COOL & HEAT INVERTER
INDOOR UNIT	MW18Y3F
OUTDOOR UNIT	MR18Y3F
COOLING CAPACITY	18,000 Btu/h (5.28 kW)
HEATING CAPACITY	21,600 Btu/h (6.30 kW)

ELECTRICAL DATA

POWER SOURCE	208 - 230 V	
FREQUENCY	60 Hz	
RUNNING CURRENT	COOLING	7.7 A
	HEATING	8.6 A
INPUT WATTS	COOLING	1.73 kW
	HEATING	1.93 kW
E.E.R.	COOLING	3.05 kW/kW
COP	HEATING	3.28 kW/kW
MOISTURE REMOVAL	5.9 Pt/h (2.8 L/hr)	
AIR CIRCULATION -High	412 cfm (700 m ³ /hr)	

COMPRESSOR

TYPE	Hermetic type, 4 pole, 3 phase, DC inverter motor, Rotary	
DISCRIMINATION	DA130A1F-25F	
REFRIGERANT	R410A	2 lb.9 oz (1,150 g)

FAN MOTOR

POWER SOURCE	208 - 230 V	
INDOOR UNIT	HIGH-SPEED	Cool 1,480 r.p.m. Heat 1,480 r.p.m.
	MED-SPEED	Cool 1,260 r.p.m. Heat 1,300 r.p.m.
	LOW-SPEED	Cool 1,040 r.p.m. Heat 1,110 r.p.m.
	QUIET	Cool 850 r.p.m. Heat 950 r.p.m.
OUTDOOR UNIT	Cool 860 r.p.m. Heat 820 r.p.m.	

DIMENSIONS

INDOOR UNIT	H x W x D	10-13/16 x 31-1/8 x 8-7/16 inch
		578 x 790 x 300 mm
OUTDOOR UNIT	H x W x D	22-3/4 x 31-1/8 x 11-13/16 inch
		578 x 790 x 300 mm

WEIGHT

INDOOR UNIT	GROSS / NET	26 / 20 lbs. (12 / 9 kg)
OUTDOOR UNIT	GROSS / NET	97 / 88 lbs. (44 / 40 kg)

NOISE LEVEL

INDOOR UNIT	C 44 dB H 42 dB
OUTDOOR UNIT	C 50 dB H 50 dB

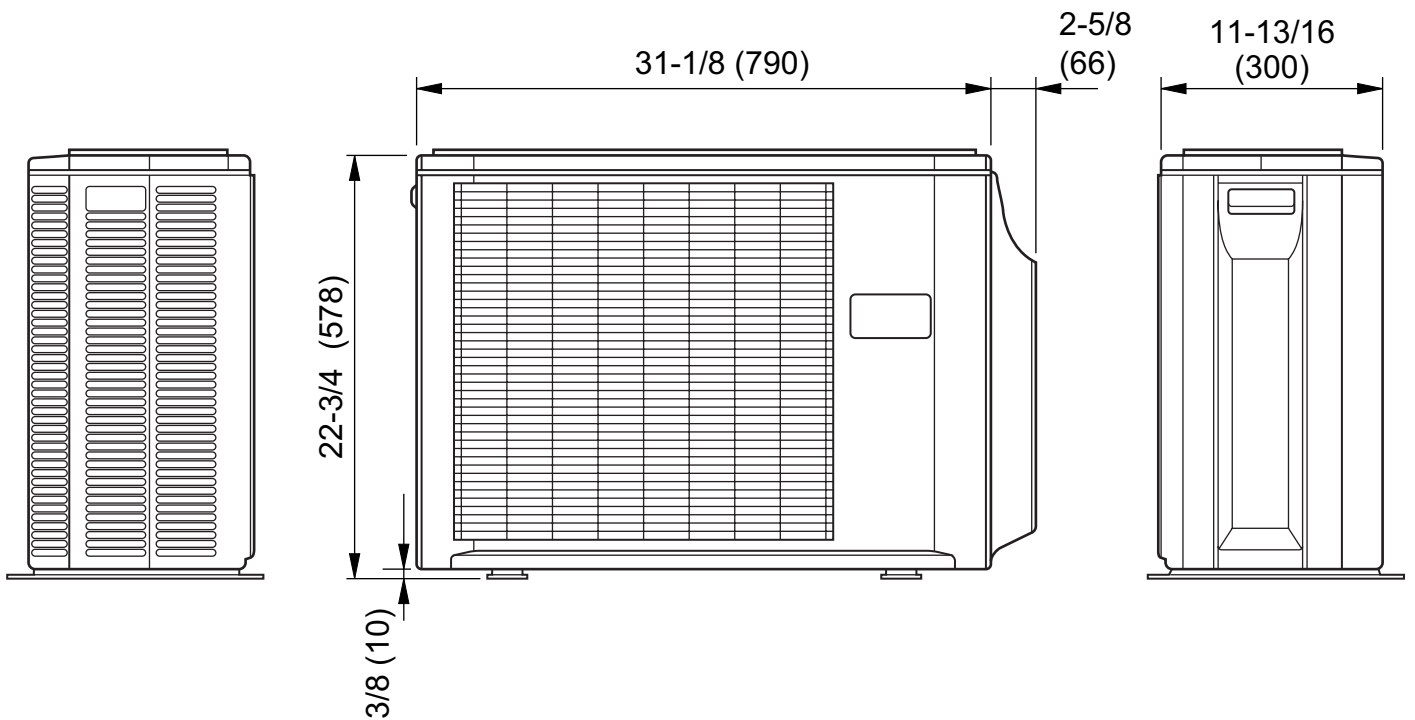
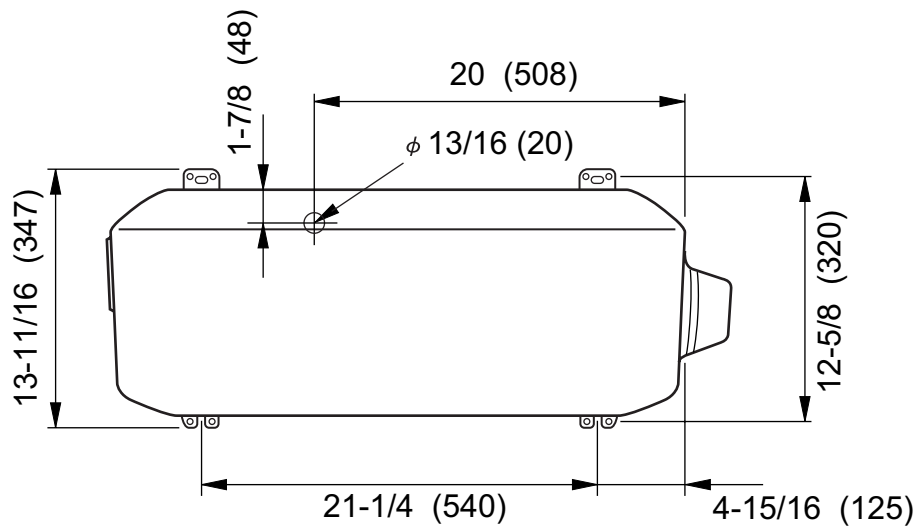
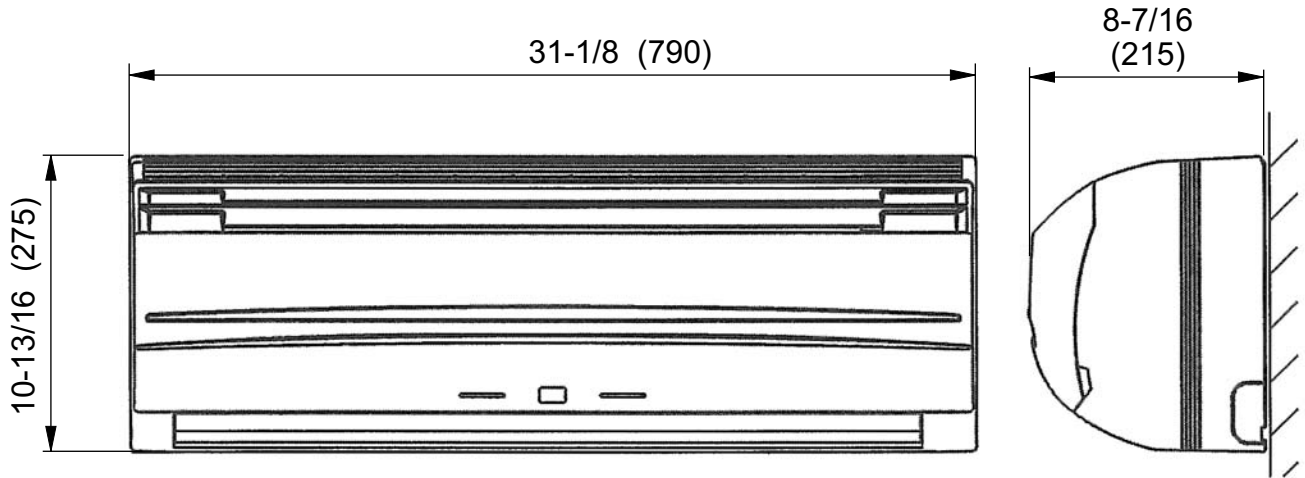
REFRIGERANT (R410A)

FULL CHARGE	Pipe Length	49 ft. (15 m)	2 lb 9 oz (1,150 g)
		66 ft. (20 m)	2 lb 12 oz (1,250 g)
ADDITIONAL REFRIGERANT			3/16 oz./ft. (20 g / m)

DIMENSIONS

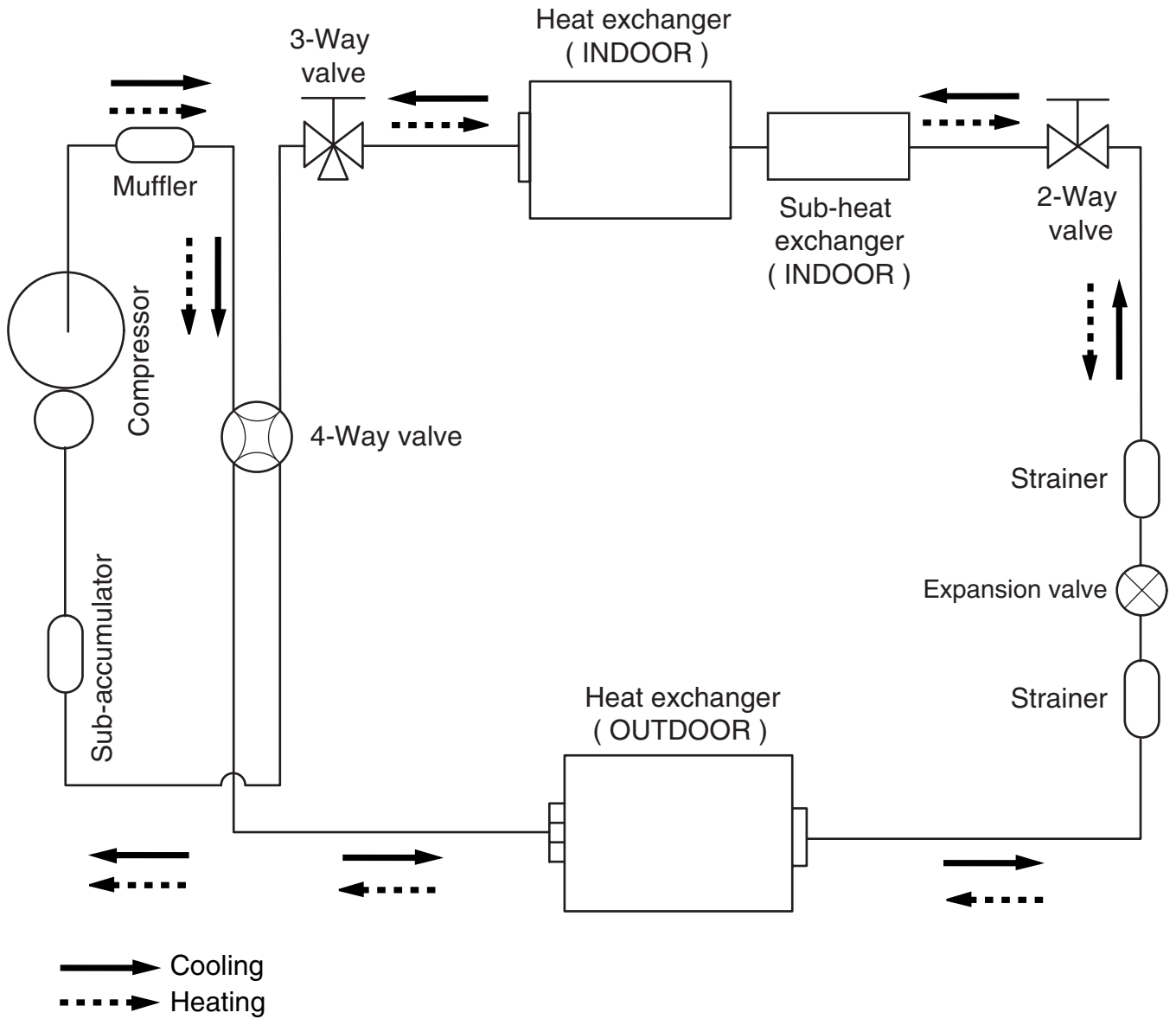
Models : MW18Y3F / MR18Y3F

unit : inch (mm)



REFRIGERANT SYSTEM DIAGRAM

Models : MW18Y3F / MR18Y3F

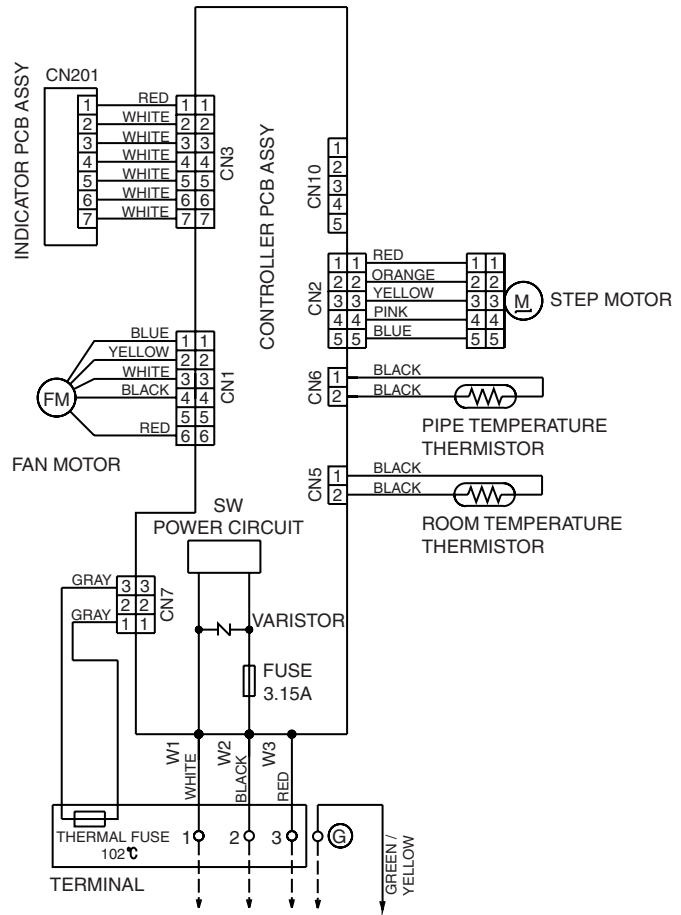


Refrigerant pipe diameter
 Liquid : 1/4" (6.35 mm)
 Gas : 1/2" (12.7 mm)

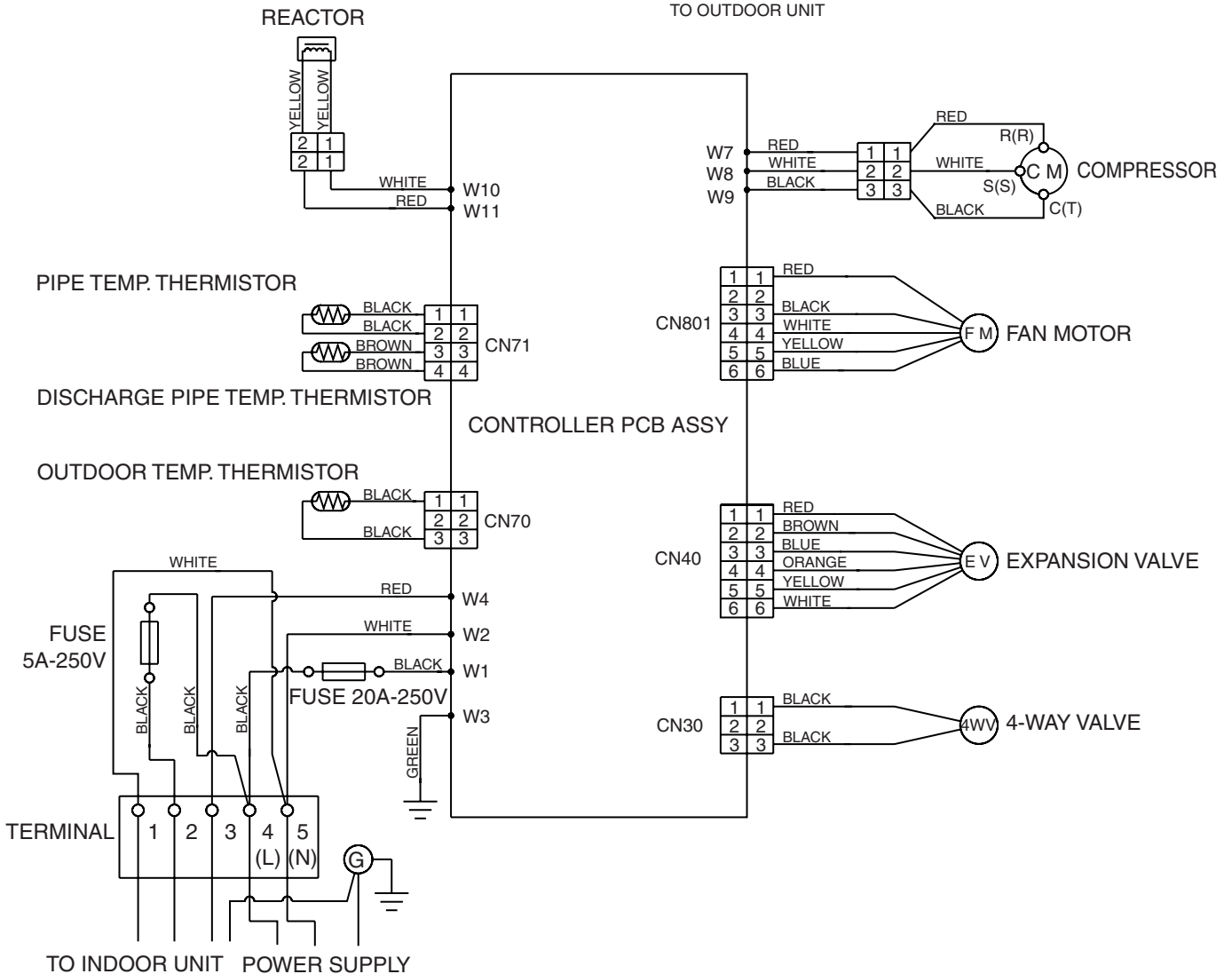
CIRCUIT DIAGRAM

Models :
MW18Y3F / MR18Y3F

INDOOR UNIT

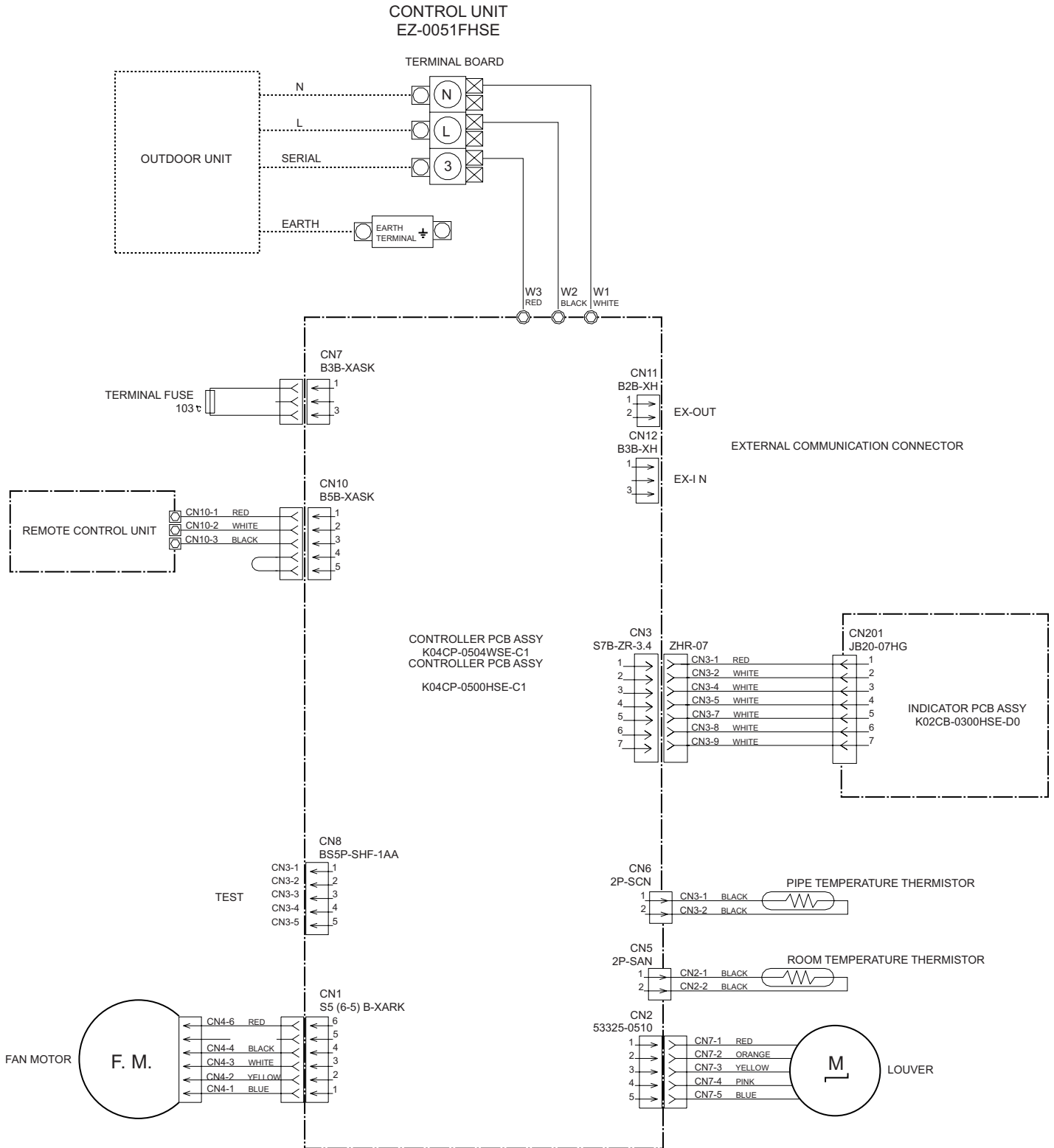


OUTDOOR UNIT



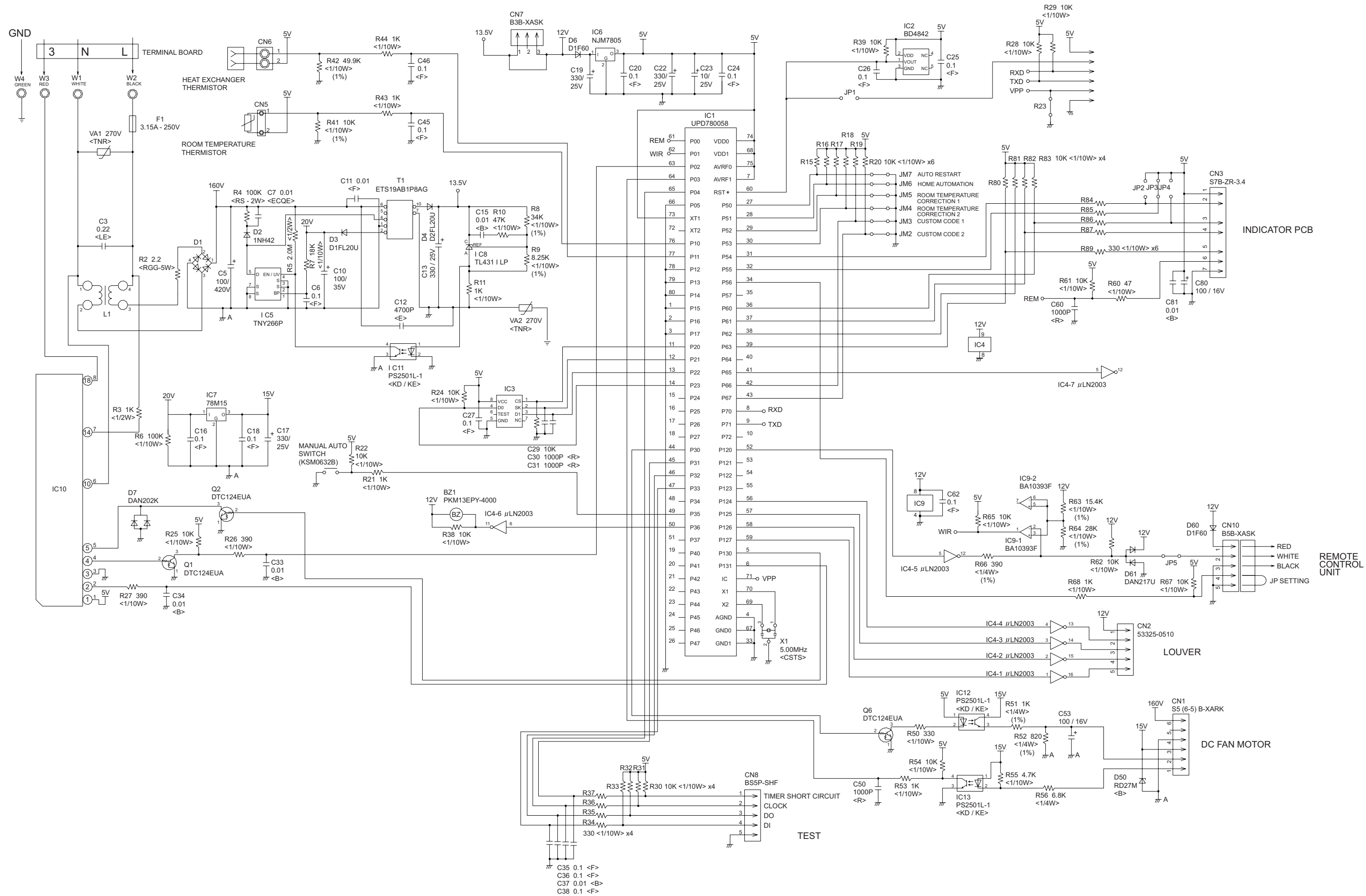
INDOOR PCB CIRCUIT DIAGRAM

Model : MW18Y3F



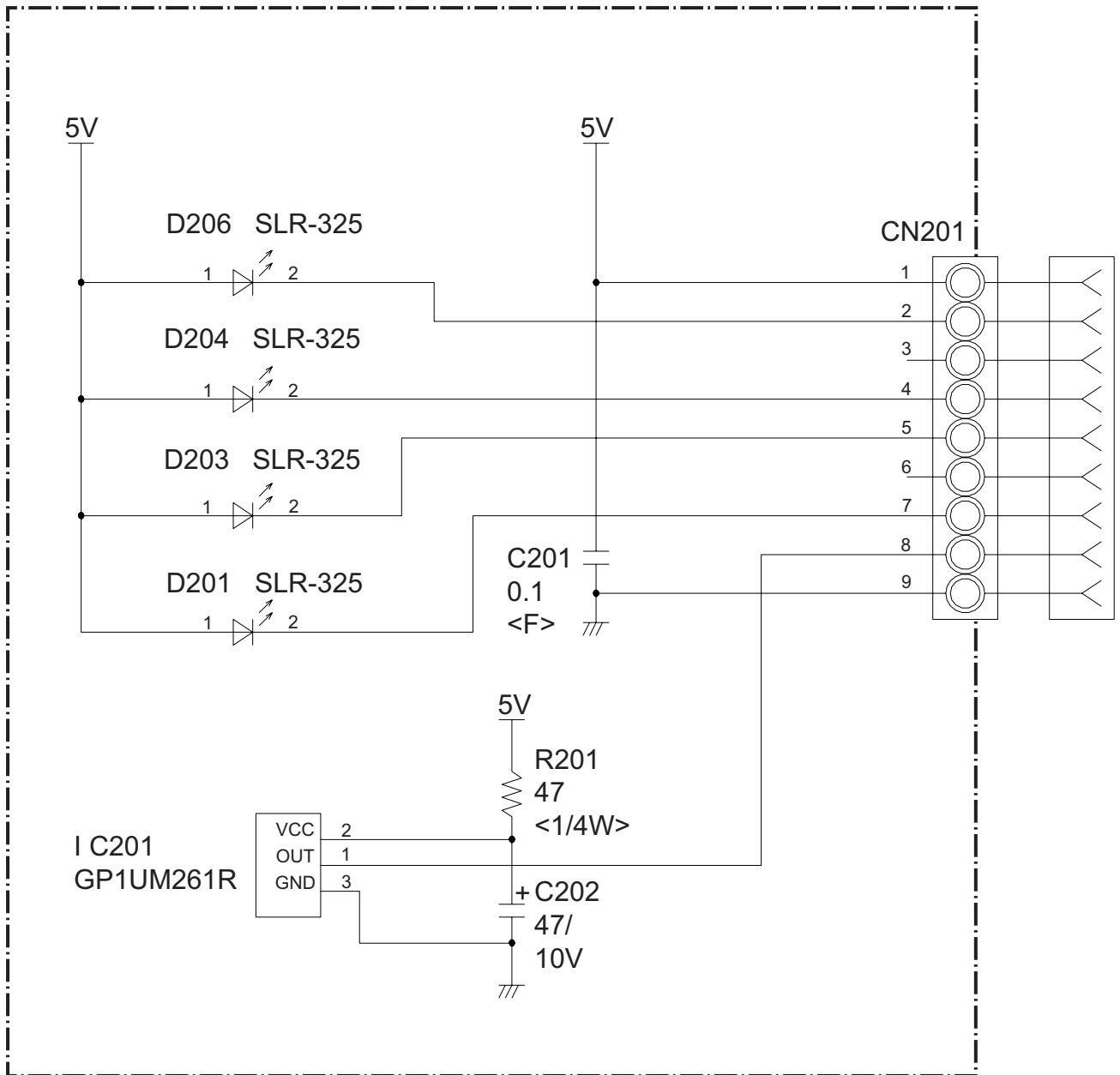
Model : MW18Y3F

CONTROLLER PCB ASSEMBLY K04CP-0500HSE-C1



Model : MW18Y3F

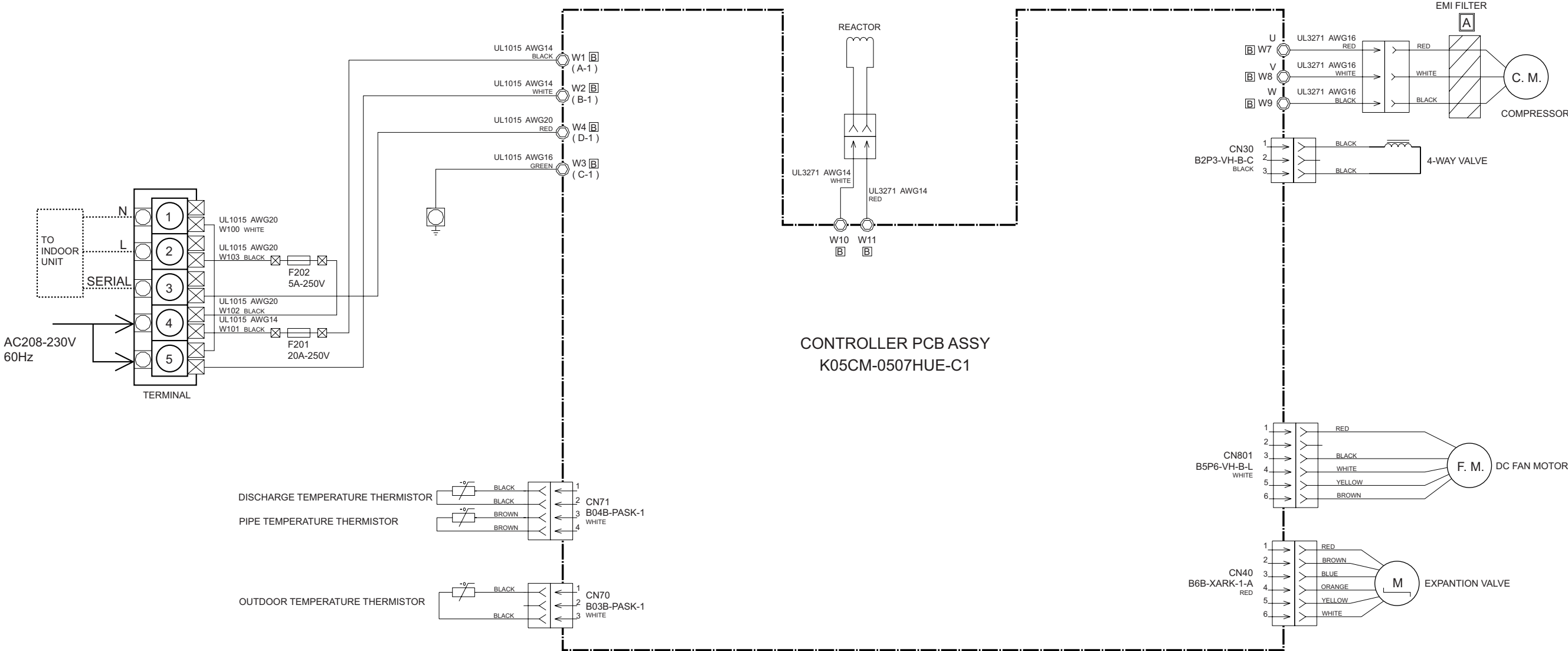
INDICATOR PCB ASSY K03DV-0400WSE-D0



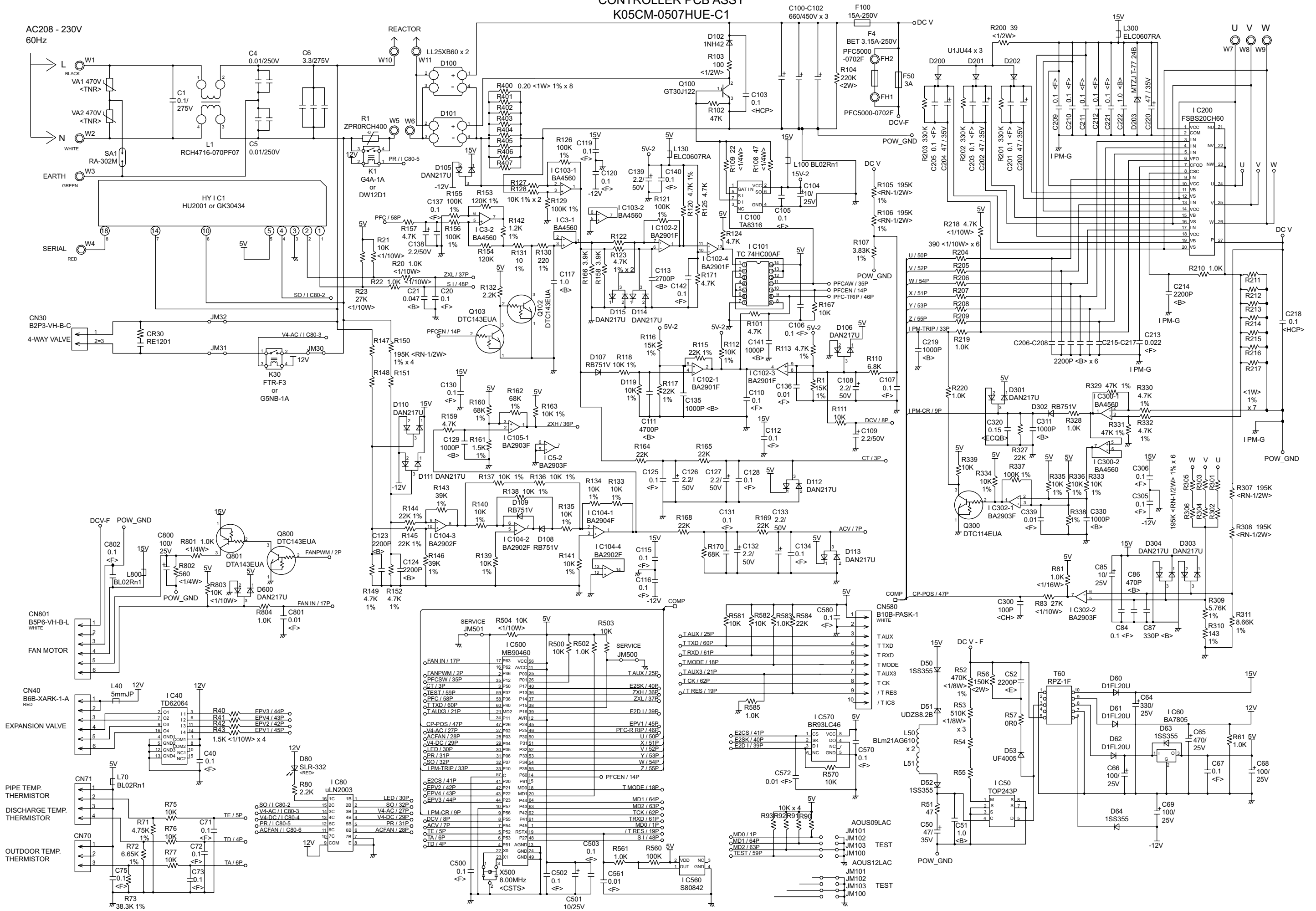
OUTDOOR PCB CIRCUIT DIAGRAM

Model : MR18Y3F

INVERTER ASSEMBLY EZ-005SHUE



CONTROLLER PCB ASSY
K05CM-0507HUE-C1



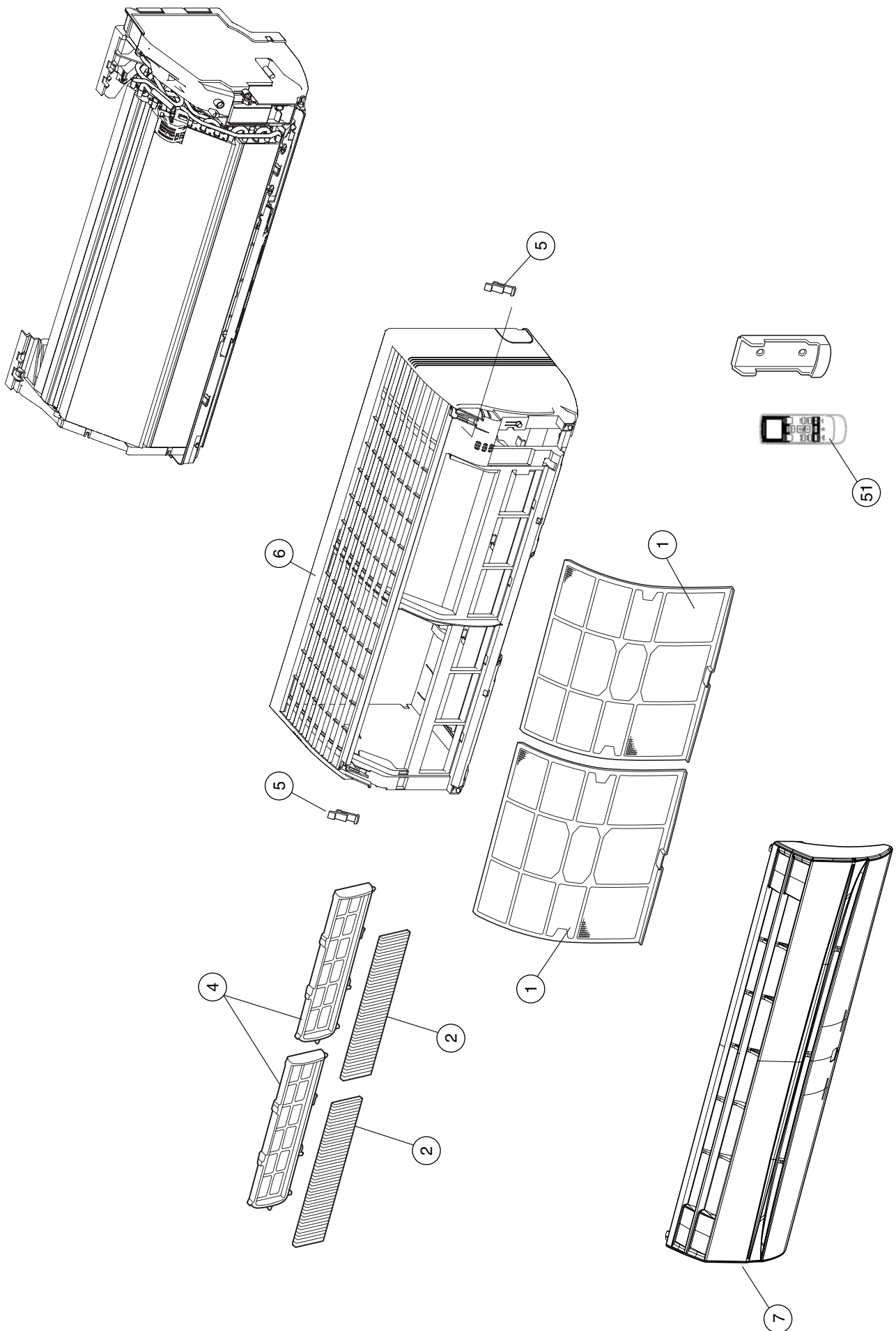
ERROR CONTENTS

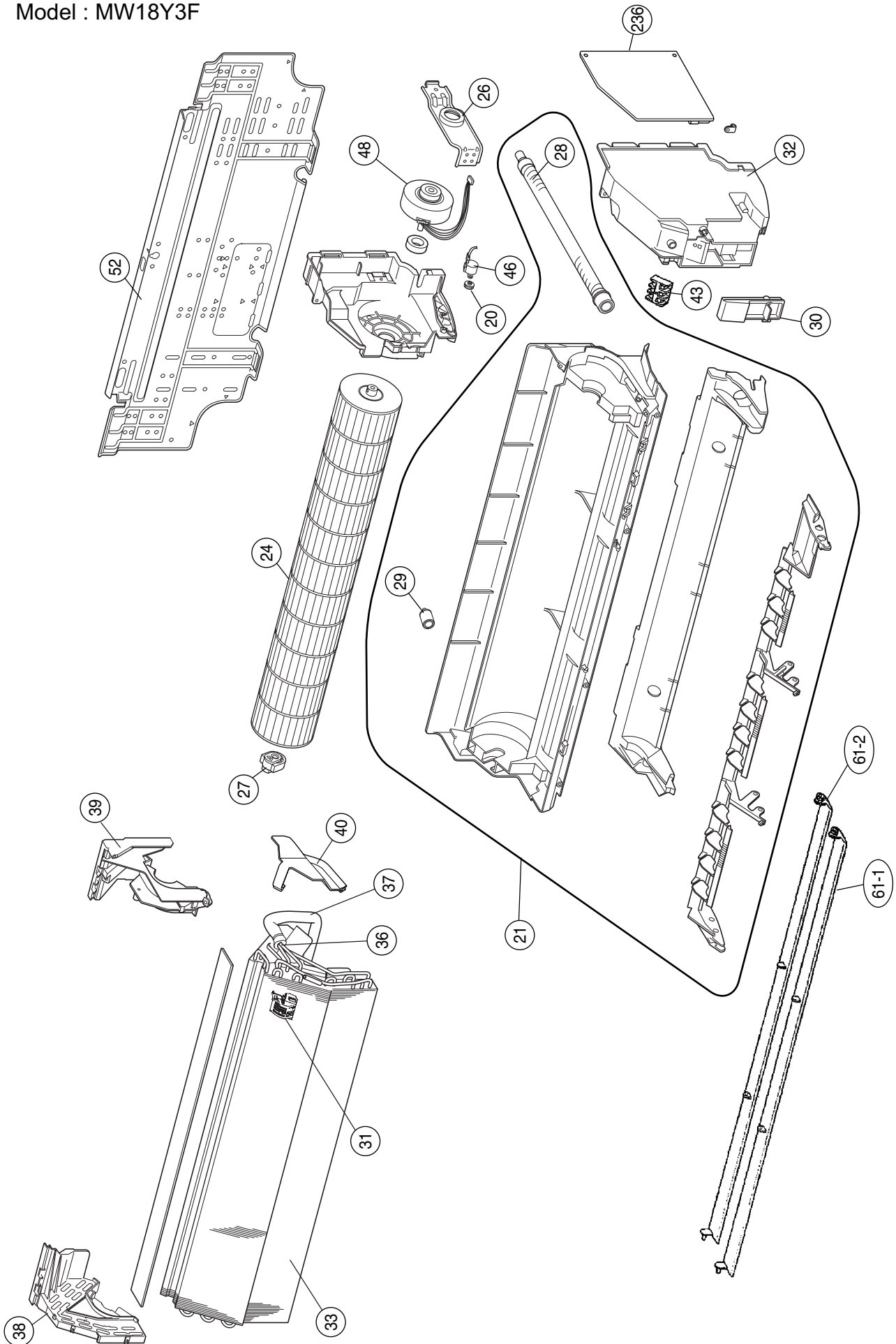
Model : MW18Y3F

Error	Display		Error
	Operation LED	Timer LED	
Serial signal error	Normal	2 flash	Serial signal (reverse) error, at operation start up
		3 flash	Serial signal (reverse) error, during operation
		4 flash	Serial signal (forward) error, at operation start up
		5 flash	Serial signal (forward) error, during operation
Indoor unit thermistor error	2 flash	2 flash	Indoor temperature thermistor open / short
		3 flash	Heat exchanger middle thermistor open / short
Outdoor unit thermistor error	3 flash	2 flash	Discharge thermistor open / short
		3 flash	Heat exchanger thermistor open
		4 flash	Outdoor temperature thermistor open / short
Indoor unit control error	4 flash	2 flash	Forced automatic SW welded
		3 flash	Main relay welded
		4 flash	Power interruption error
		7 flash	VDD permanent stop protection
		8 flash	reverse VDD permanent stop protection
Outdoor unit control error	5 flash	2 flash	Current trip error
		3 flash	CT abnormal
		5 flash	Compressor location detection error
		6 flash	Outdoor unit fan drive system abnormal
Indoor fan motor error	6 flash	2 flash	Abnormal lock
		3 flash	Abnormal rotation
Refrigerant cycle error	7 flash	2 flash	Discharge Temperature abnormal
		3 flash	Cooling high pressure abnormal rise
Optional function error	8 flash	4 flash	PFC circuit error
Model information error	0.1 sec on/off	0.1 sec on/off	Model information error

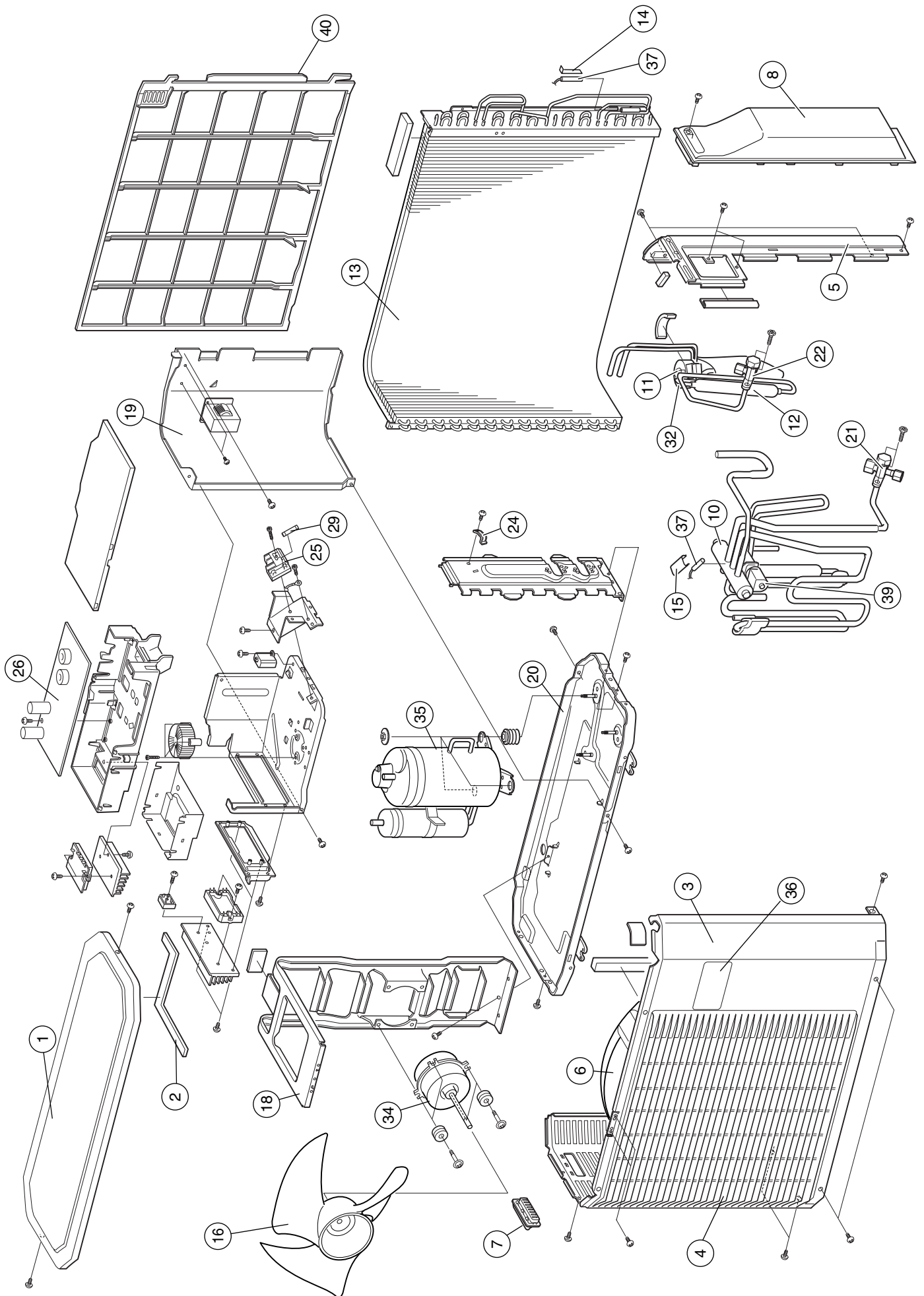
DISASSEMBLY ILLUSTRATION

Model : MW18Y3F





Model : MR18Y3F



PARTS LIST

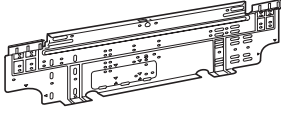

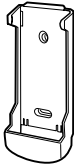

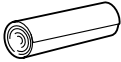


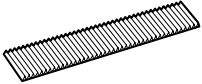
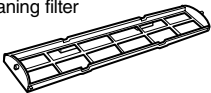

INDOOR UNIT

Ref. No	Description	Part No.	Ord. Q'ty
		MW18Y3F	
1	AIR FILTER	67201200	
2	ELECTRIC ION	X	
4	HOLDER (FILTER)	X	
5	GRILLE CLAMP	67200936	
6	FRONT PANEL ASSY	67201230	
7	INTAKE GRILLE ASSY	67201232	
20	GEAR-A	67201206	
21	CASING ASY	67201233	
24	CROSSFLOW FAN ASSY	67200918	
26	CLAMP (MOTOR)	67201234	
27	SHAFT HOLDER-C ASSY	67200922	
28	DRAIN HOSE ASSY	67201235	
29	DRAIN CAP ASSY	67201211	
30	WIRE CLAMPER	67201236	
32	COVER (SWITCH)	67201237	
33	EVAPORATOR COIL	67201214	
36	JOINT PIPE ASSY	67201238	
37	INSULATION (PIPE)-E	67201217	
38	HOLDER (EVAPORATOR) -L	67201239	
39	HOLDER (EVAPORATOR) -R	67201219	
40	WATER SEAL	67201220	
42	AIR SEAL		
43	TERMINAL	67201222	
46	STEP MOTOR	67201225	
48	FAN MOTOR	67201240	
51	REMOTE CONTROL	67201241	
52	BRACKET PANEL	67201242	
61-1	FLOW CONTROL PANEL-U	67201203	
61-2	FLOW CONTROL PANEL-Z	67201243	
236	CONTROLLER PCB ASSY	67201244	
....	THERMISTOR PIPE	67201245	
....	THERMISTOR ROOM	67201246	
....	INDICATOR PCB ASY	67201247	

OUTDOOR UNIT

Ref. No	Description	Part No.	Ord. Q'ty
		MR18Y3F	
1	TOP PANEL ASSY	67201400	
2	TOP PANEL SEAL	67201401	
3	CABINET SUB ASSY	67201402	
4	GRILL ASSY	67201403	
5	CABINET RIGHT SIDE	67201404	
6	FAN RING	67201405	
7	HANDLE	67201406	
8	SWITCH COVER ASSY	67201407	
10	4-WAY VALVE	67201408	
11	EXPANSION VALVE ASSY	67201409	
12	STRAINER	67201410	
13	CONDENSER COIL	67201411	
14	THERMISTOR SPRING -A	67206400	
15	THERMISTOR SPRING -A	67201412	
16	FAN BLADE	67201413	
18	MOTOR BRACKET	67201414	
19	SEPARATOR	67201415	
20	BASE PAN	67201416	
21	3-WAY VALVE	67201417	
22	2-WAY VALVE	67201418	
24	CORD CLAMP	67201419	
25	TERMINAL	67201332	
26	INVERTER PCB ASSY	67201420	
29	FUSE	67201421	
32	EXPANSION VALVE COIL	67201422	
34	FAN MOTOR	67201423	
35	COMPRESSOR	67201424	
36	EMBLEM REAR	67201425	
37	HEAT EXCHNGTHERMISTOR	67201426	
38	SOLENOID COIL	67201427	
.....	IPM	67201428	
.....	OT.DR. TEMP. THERMISTOR	67201429	
.....	THERMISTOR	67201430	
.....	THERMISTOR ASSY	67201431	

STANDARD ACCESSORIES

Name and Shape	Part No.
	MW18Y3F
Wall hook bracket 	9312752010
Remote control unit 	9315260017
Remote control unit holder 	9305642014
Battery (penlight) 	0600185534
Cloth tape 	9310519004
Tapping screw (big) (φ 4 x 25) 	0700076046
Tapping screw (small) (φ 3 x 12) 	0700019036
Air cleaning filter 	9312153015
	9311925033
Air cleaning filter frame 	9306602017
Seal A 	9304536000

0511G2952