

PURCHASER	P.O. #	DATE
PROJECT	LOCATION	
ENGINEER	ARCHITECT	
SUBMITTED BY	FOR APPROVAL	FOR REFERENCE

ITEM	PLAN DESIGNATION	QUANTITY	COOLING BTU/H	VOLTAGE	FRIEDRICH MODEL

## Comfort & Convenience

- 12 hour timer lets you program on/off times  
24 hour timer on CP15, CP18 and CP24
- Auto Air Sweep\* swing louvers provide more even air distribution
- 3 cooling speeds, plus 3 fan-only settings
- Money Saver® setting\* saves money by conserving energy
- All models Energy Star® qualified
- Ultraquiet operation
- 4-way air flow control
- Auto restart saves settings if power is interrupted
- Environmentally-friendly R-410A refrigerant

\*Feature not available on CP05

## Health

- Washable antimicrobial air filter
- Stale air exhaust\*

## Installation

- Slide-out chassis (fixed chassis on CP05)
- Standard installation hardware
- Expandable side curtains
- Power cord can run either left or right out of the side of the unit front

## Safety Features

- EntryGard anti-intrusion protection



CP05



CP06/CP08/CP10/CP12



CP15/CP18/ CP24

# Specifications

★ ENERGY STAR® qualified

Model	Cooling Capacity Btu	Heating Capacity Btu	Volts Rated	Cooling Amps	Cooling Watts	Heating Amps	Heating Watts	COP	Energy Efficiency Ratio EER	Estimated Yearly Operating Cost	Moisture Removal Pints/HR	Room Side Air Circulation CFM	Sleeve	Net Weight Lbs
CP														
★ CP05N10A	5500	—	115	4.8	510	—	—	—	10.7	\$41	1.3	135	P1	46
★ CP06F10	6000	—	115	5.1	560	—	—	—	10.7	\$45	1.8	210	P6	51
★ CP08F10	7800	—	115	6.8	720	—	—	—	10.8	\$58	2.3	250	P6	54
★ CP10F10	10000	—	115	8.5	920	—	—	—	10.8	\$74	3.0	270	P7	73
★ CP12F10	12000	—	115	10.2	1110	—	—	—	10.8	\$89	3.3	310	P7	73
★ CP15F10	14700	—	115	12.0	1370	—	—	—	10.7	\$110	3.5	470	P4	121
★ CP18F30	18000/17600	—	230/208	8.1/8.8	1680/1640	—	—	—	10.7	\$135	4.6	570	P5	141
★ CP24F30	24230/23540	—	230/208	10.9/11.8	2580/2500	—	—	—	9.4	\$206	7.0	590	P5	165

## Installation Information / Sleeve Dimensions

Sleeve	Height	Width	Depth with Front	Shell Depth to Louvers	Minimum Extension Into Room*	Minimum Extension Outside*	Window Width		Thru-the-wall Installation Finished Hole		
			A	B			Minimum**	Maximum	Height	Width	Max. Depth C
P1†	12"	18 1/2"	15"	5"	3 1/2"	10 3/4"	20 1/8"	36"	NOT FOR THRU-WALL		
P4	17 1/2"	26"	27 5/8"	8 7/8"	5 1/2"	16 5/8"	26 1/2"	42"	17 3/4"	26 1/4"	8 3/8"
P5	17 1/2"	26"	29 3/4"	8 7/8"	5 1/2"	19 1/2"	26 1/2"	42"	17 3/4"	26 1/4"	8 3/8"
P6	14"	18 3/8"	20 7/8"	8 1/8"	4 1/2"	11"	20 1/8"	36"	14 1/4"	18 3/4"	7 1/2"
P7	15"	23 5/8"	22 1/4"	8 3/4"	4 1/2"	12"	25 1/4"	39"	15 1/4"	23 7/8"	8"


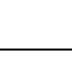


\* Minimum extensions when mounted in a window.

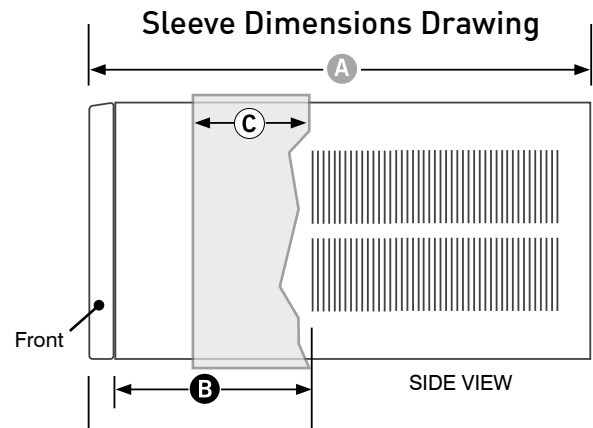
\*\* Minimum widths achieved using one side curtain assembly as opposed to both in a standard installation.

† Sleeve P1 does not have thru-the-wall hole dimensions, as these units are fixed chassis and should not be installed thru-the-wall.

NOTE: S, M and L sleeves may be installed in window with no side kits if properly installed.

## Circuit Rating/ Breaker

Model	Circuit Rating Breaker or T-D Fuse	Plug Face (NEMA#)	Power Cord Length (ft.)	Wall Outlet Appearance
CP05			7	
CP06, CP08, CP10, CP12 and CP15.	125V - 15A	5 - 15P	6	
CP18	250V - 15A	6 - 15P	4	
CP24	250V - 20A	6 - 20P	4	



Friedrich room air conditioners are designed to operate in outdoor temperatures from 60° F to 115° F.

Due to continuing research in new energy-saving technology, specifications are subject to change without notice.

As an ENERGY STAR® partner, Friedrich Air Conditioning Co. has determined that the selected ENERGY STAR® (★) models meet the ENERGY STAR® guidelines for energy efficiency.

The consumer- through the AHAM Room Air Conditioner Certification Program- can be certain that the AHAM Certification Seal accurately states the unit's cooling and heating capacity rating, the amperes and the energy efficiency ratio.

