



# Professional Custom Series Built-In Gas 60"W. Sealed Burner Rangetop

## Standard Features & Accessories

### All models include

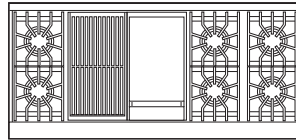
- Exclusive VSH™ Pro Sealed Burner System (VariSimmer™ to High)—combination of patented burner and top design provide ease of cleaning plus superior performance at simmer and high
- Exclusive VariSimmer setting for all burners
- Exclusive SureSpark™ ignition system for all burners

- Exclusive tooled and porcelainized cooking surface contains spills for easy cleaning
- Brass sealed burners with porcelain/cast iron caps and automatic ignition/re-ignition
- Shipped standard with heavy-duty metal knobs with stainless steel finish
- Shipped standard with stainless steel island trim

### 6GQ model includes

- Five 15,000 BTU burners
- One TruPower Plus™ 18,500 BTU burner
- 12"W. thermostatically controlled steel griddle/simmer plate
- 12"W. grill with flavor generator plates and automatic ignition/re-ignition

## Model Options



**VGRT560-6GQ\***  
**60"W. Six-Burner/  
Griddle/Grill Rangetop**

### FINISH DETAILS FOR ALL MODELS

- Stainless Steel (SS)
  - o Stainless units have black porcelain grates, black porcelain burner caps, black porcelain grate support and stainless knobs.
- Brass Accent Option (BR)—nameplate and knob bezels. Brass components have a durable protective coating for maintenance-free normal use

\*Shown throughout with accessory 8" high backguard. See **Installation Notes & Accessories** for details.

### ORDERING INSTRUCTIONS

First specify model number, and then color code (VGRT560-6GQSS). If ordering brass accent option, specify code at end (VGRT560-6GQSSBR). If ordering optional LP conversion, specify code at end (VGRT560-6GQSSBRLP).





**COOKING**



# Professional Custom Series Built-In Gas 60"W. Sealed Burner Rangetop

## Dimensions & Specifications

### PRODUCT DIMENSIONS



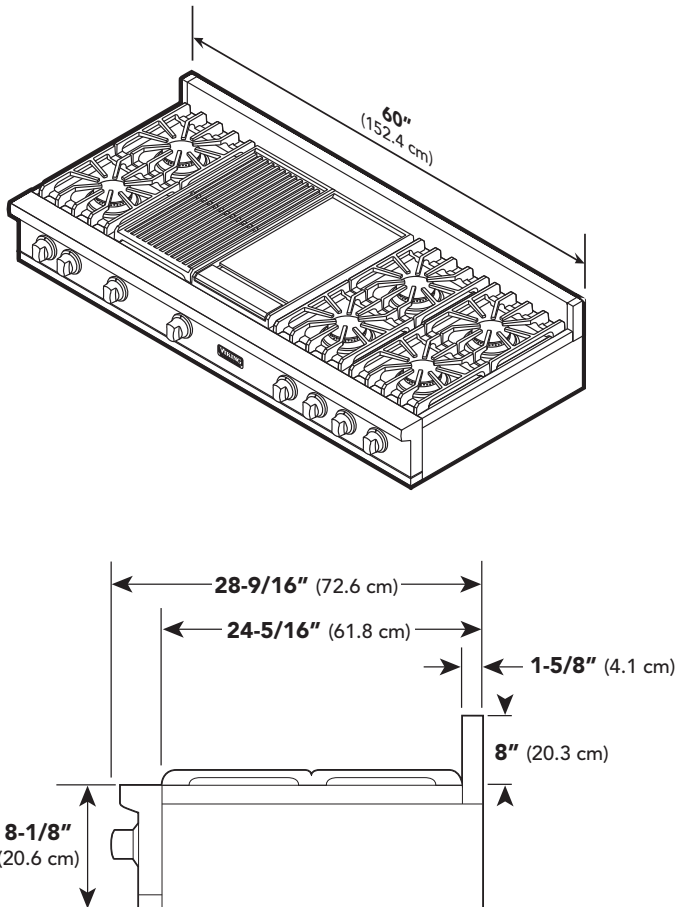
**VGRT560-6GQ**  
60"W. Six-Burner/  
Griddle/Grill Rangetop

★ Please see Installation Notes & Accessories for important installation information, including island trim, backguard, and high-shelf.



ALL MODELS

Star-K Kosher Certification for use on the Jewish Sabbath or Jewish holidays



#### All models

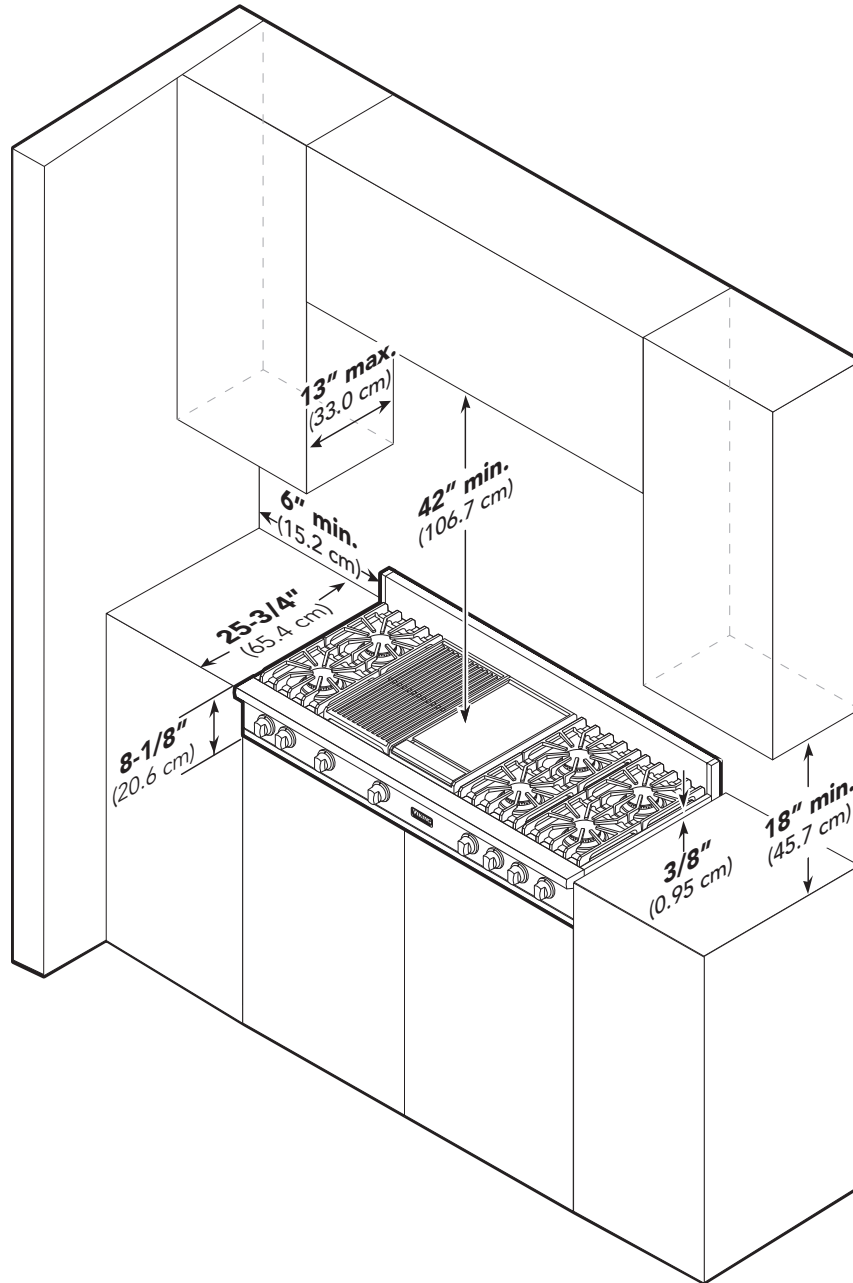
Overall width	<b>60" (152.4 cm)</b>
Overall height (from bottom)	
To top of grate	<b>9-1/4" (23.5 cm)</b>
To top of island trim	<b>9-1/8" (23.2 cm)</b>
Additions to base height	
To top of backguard	<b>Add 8" (20.3 cm)</b>
To top of high shelf	<b>Add 23-1/2" (72.9 cm)</b>
Overall depth (from rear)	
To end of side panel	<b>24-5/16" (61.8 cm)</b>
To end of landing ledge	<b>28-1/16" (71.3 cm)</b>
To end of knobs	<b>28-9/16" (72.6 cm)</b>





## Dimensions & Specifications

### CLEARANCE DIMENSIONS



#### Minimum clearances from adjacent combustible construction

- Cooking surface and below, i.e., 36" (91.4 cm) and below
  - o Sides—0"
  - o Rear—0" with backguard or highshelf; 0" with island trim and non-combustible rear wall; 6" (15.2 cm) with island trim and combustible rear wall.
- Above cooking surface, i.e. above 36" (91.4 cm)
  - o Sides—6" (15.2 cm)
  - o Within 6" (15.2 cm) side clearance, wall cabinets no deeper than 13" (33.0 cm) must be minimum 18" (45.7 cm) above cooking surface.
  - o Wall cabinets directly above product must be minimum 42" (106.7 cm) above cooking surface.



# Professional Custom Series Built-In Gas 60"W. Sealed Burner Rangetop

## UTILITY REQUIREMENTS



### GAS

- o Shipped natural or propane gas; field convertible with conversion kit.
- o Accepts standard residential 1/2" (1.3 cm) ID gas service line
- o Gas manifold pressure
  - o Natural gas 5.0" W.C.P.
  - o LP/Propane 10.0" W.C.P.



### ELECTRICAL

- Four-foot (121.9 cm) cord included with rangetop
- Three-wire with ground/three-prong plug
- 120 V/60 Hz
- Max. amp usage—
  - o 6GQ—0.5



### PLUMBING

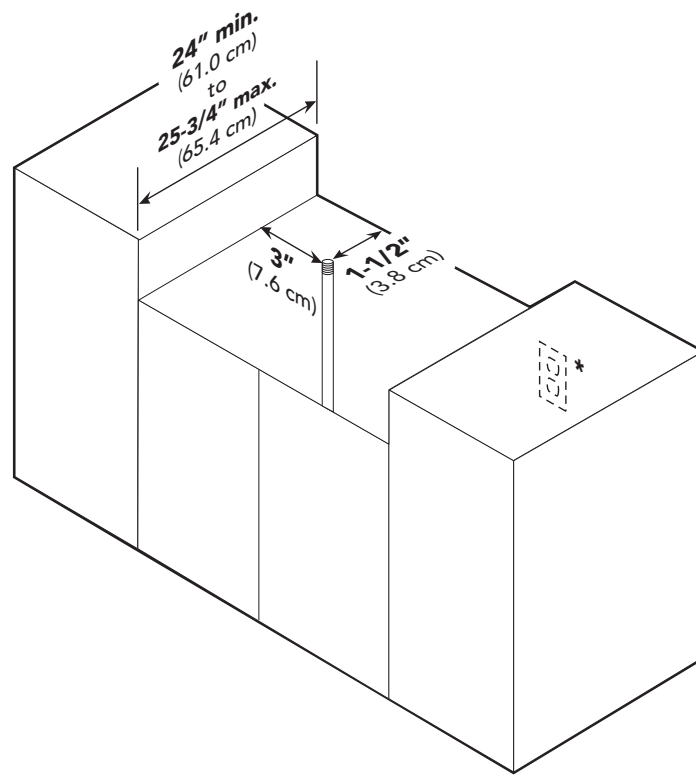
Not applicable

## Installation Requirements

### ACCESS REQUIREMENTS



**VGRT560-6GQ**  
60"W. Six-Burner/  
Griddle/Grill Rangetop



*\*Note: 120 VAC/50Hz within 48" (121.9 cm) of right rear of rangetop*

VGRT560-6GQ	
Cutout width	60-1/4" (153.0 cm)
Cutout height	7-5/8" (19.4 cm)
Cutout depth	24" (61.0 cm) min. to 25-3/4" (65.4 cm) max.
Surface burner rating	
Grated burners (each)	15,000 BTU Nat. (4.4 kW)/13,500 BTU LP (4.0 kW)
TruPower Plus™ burner (front right)	18,500 BTU Nat. (5.4 kW)/ 16,600 BTU LP (4.9 kW)
Griddle	15,000 BTU Nat. (4.4 kW)/ 12,500 BTU LP (3.7 kW)
Grill	18,000 BTU Nat. (5.3 kW)/ 16,000 BTU LP (4.7 kW)





# COOKING

## Professional Custom Series Built-In Gas 60"W. Sealed Burner Rangetop



### ✪ Installation Notes & Accessories

A backguard, high-shelf, or island trim must be used for all installations.

#### Island Trim

- Stainless Steel (SS)
- Coordinates with all finishes
- For island/peninsula installation
- Included and shipped standard

Model	Description	Approx. ship wt. lbs. (kg)
P60TII	60"W. island trim	15 (6.8)

#### 8"H. Backguard

- Stainless Steel (SS)
- Coordinates with all finishes

Model	Description	Approx. ship wt. lbs. (kg)
P601BG8	60"W. backguard	24 (10.8)

#### High-shelf

- Stainless Steel (SS)
- Coordinates with all finishes
- Shelf comes attached to a 24"H. backguard

Model	Description	Approx. ship wt. lbs. (kg)
B60HS24	60"W. high-shelf	60 (27.0)

#### Countertop Side Trim

- Stainless Steel (SS)
- Coordinates with all finishes
- Installs on side of unit; overlaps countertop
- One pair of trim

Model	Description	Approx. ship wt. lbs. (kg)
P24CST	24"D. side trim	2 (0.9)

#### Countertop Rear Trim

- Stainless Steel (SS)

Model	Description	Approx. ship wt. lbs. (kg)
P60CRT	60"W. countertop rear trim	2 (0.9)

#### LP/Propane Conversion Kit

- Allows for field conversion of range from natural gas to LP

Model	Description	Approx. ship wt. lbs. (kg)
LPKPDR	Natural to LP/propane conversion kit	2 (0.9)

#### Compliance Information



#### WARRANTY INFORMATION\*

- One-year full warranty—complete product
- Lifetime limited—stainless steel exterior
- Five-year limited warranty—surface burners, griddle burners and grill burners
- Ninety-day limited warranty—cosmetic parts such as glass, painted, and decorative items

\* For complete warranty see *Use & Care Guide*. Warranty valid on Viking products shipped within the United States and Canada.



