

FF41ESSTB

33.5" x 18.75" x 20.25" (H x W x D)

ENERGY STAR qualified auto defrost refrigerator-freezer, with a counter height white cabinet, stainless steel door, and towel bar handle

Highlights:

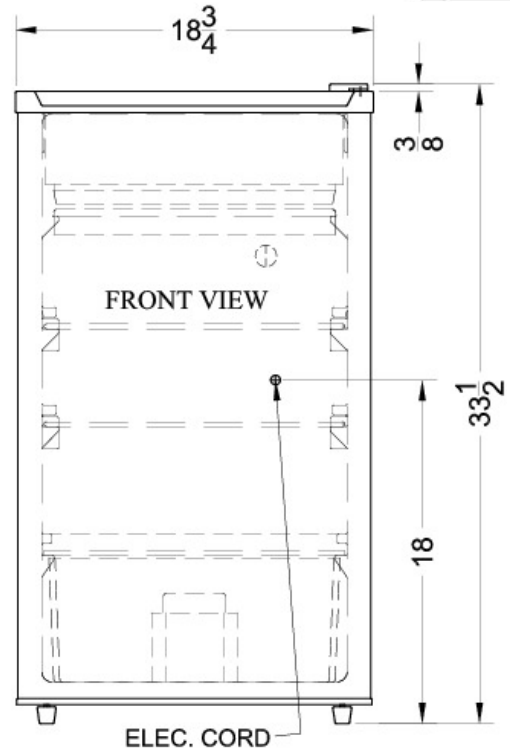
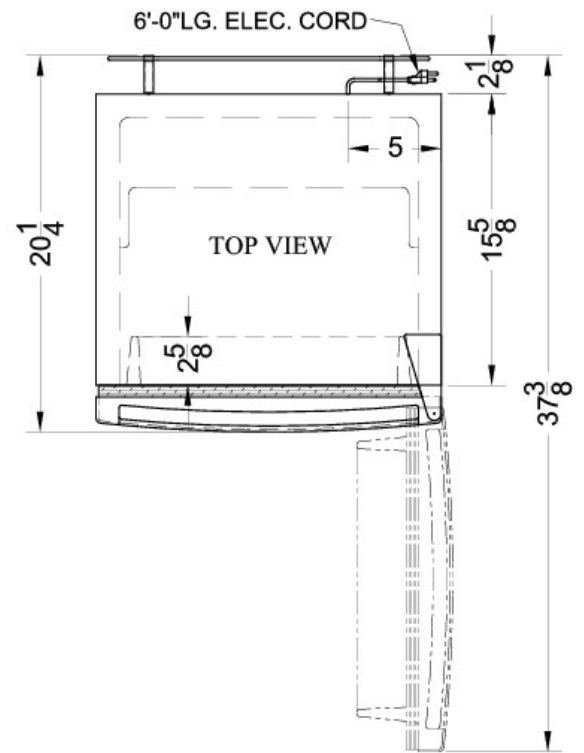
- ENERGY STAR qualified with a more efficient system for lower energy use
- Compact size with a slim 19" width fits well in hotels and offices
- Door storage provides ample room for large bottles
- Stainless steel door with curved towel bar handle for added luxury



ENERGY STAR Qualified	Rated by the DOE to perform with more efficiency than standards require
Automatic defrost	No-frost system simplifies maintenance
Fully finished white cabinet	Allows the unit to be used freestanding
Stainless steel door	Durable elegance built to last
Professional towel bar handle	A curved handle in brushed stainless steel provides generous room for a comfortable grip
Adjustable thermostat	Manage the temperature with ease and accuracy
Crisper drawer	Get the longest life and best taste out of produce by storing greens in lower slide drawer
Door shelves	Store large bottles right on the door for easy access
Adjustable shelves	Rearrange the refrigerator space to fit any sized item or remove shelves for simple cleanup
Slim counter height dimensions	Less than 19 inches wide for easy placement in tight locations

Specifications:

Height	33.5"
Width	18.75"
Depth	20.25"
Capacity	3.6 cu.ft.
Ext Depth with Handle	20.25"
Shipping Weight	95.0 lbs.
US Electrical Safety	UL
Canadian Electrical Safety	ULC
Voltage/Frequency	115 V AC/60 Hz
Energy Usage/Year	310.0 kWh/year
Amps	0.8
Reversible	Factory Reversible
Door Swing	RHD
Crisper Quantity	1
Shelf Quantity	2
Adjustable Shelf	true
Shelf Type	Wire
Crisper Cover Type	Glass
Crisper Finish	Transparent
Full Door Shelf Quantity	3
Defrost Type	Automatic
Height to Hinge Cap	33.25"
Depth with door at 90°	37.38"
Thermostat Type	Dial
Low Side PSI	140.0
Freon Type	R134a
High Side PSI	235.0
Level Legs Quantity	2
Parts/Labor Warranty	1 Year
Compressor Warranty	5 Years



Summit Appliance Division, Felix Storch, Inc.
 770 Garrison Ave • Bronx, NY 10474
 Phone: 718-893-3900 • Fax: 718-842-3093
 Email: info@summitappliance.com