



**Professional cooktop**  
CPU models

**La table de cuisson professionnelle**  
Modèles CPU

**Installation instructions**

**Guide d'installation**

**US CA**

## **⚠ WARNING!**

If the information in this manual is not followed exactly, a fire or explosion may result causing property damage, personal injury or death.

Do not store or use gasoline or other flammable vapors and liquids in the vicinity of this or any other appliance.

NEVER use this appliance as a space heater to heat or warm the room. Doing so may result in carbon monoxide poisoning and overheating of the appliance.

### **WHAT TO DO IF YOU SMELL GAS**

- Do not try to light any appliance.
- Do not touch any electrical switch.
- Do not use any phone in your building.
- Immediately call your gas supplier from a neighbor's phone. Follow the gas supplier's instructions.
- If you cannot reach your gas supplier, call the fire department.

Installation and service must be performed by a qualified installer, service agency or the gas supplier.

## **⚠ MISE EN GARDE!**

Le fait de ne pas suivre toutes les instructions de ce manuel peut provoquer un feu ou une explosion causant des dommages matériels, des blessures ou la mort.

Ne rangez et n'utilisez pas de l'essence ou d'autres liquides et vapeurs inflammables à proximité de cet appareil ou de tout autre appareil.

N'utilisez JAMAIS cet appareil pour chauffer une pièce. Le non-respect de cette consigne peut causer un empoisonnement au monoxyde de carbone et une surchauffe de l'appareil.

### **QUE FAIRE SI VOUS DÉCELEZ UNE ODEUR DE GAZ**

- Ne tentez d'allumer aucun appareil.
- Ne touchez à aucun interrupteur électrique.
- N'utilisez aucun téléphone dans l'édifice.
- Appelez immédiatement votre fournisseur de gaz en utilisant le téléphone d'un voisin. Suivez les consignes du fournisseur de gaz.
- S'il vous est impossible de joindre votre fournisseur de gaz, appelez le service d'incendie.

L'installation et l'entretien doivent être effectués par un installateur ou un technicien qualifié, ou par un employé de votre fournisseur de gaz.

# A MESSAGE TO OUR CUSTOMERS

Thank you for selecting this DCS professional Cooktop. Because of this appliance's unique features we have developed this Installation Guide. It contains valuable information on how to properly install your new appliance for years of safe and enjoyable cooking.

For your convenience, product questions can be answered by a Fisher & Paykel Customer Care Representative by phone: 1-888-936-7872, or email: [customer.care@fisherpaykel.com](mailto:customer.care@fisherpaykel.com).

**NOTE:** Please write the Model, Code, and Serial Number on this page for references (located on the rating plate behind the unit right side)

MODEL NUMBER \_\_\_\_\_ SERIAL NUMBER \_\_\_\_\_ CODE \_\_\_\_\_

**NOTE:** Inspect the product to verify that there is no shipping damage. If any damage is detected, call the shipper and initiate a damage claim. DCS by Fisher & Paykel is not responsible for shipping damage.

*DO NOT discard any packing material (box, pallet, straps) until the unit has been inspected.*

## **WARNING**

Improper installation, adjustment alteration, service or maintenance can cause property damage, injury or death. Read the installation, operating and maintenance instructions thoroughly before using, installing or servicing this equipment.

## **WARNING**

If the information in this manual is not followed exactly, a fire or explosion may result causing property damage, personal injury or death.

Do not store or use gasoline or other flammable vapors and liquids in the vicinity of this or any other appliance.

## **DANGER**

**If You Smell Gas:**

1. Do not try to light any appliance.
2. Do not touch any electrical switch; do not use any phone in your building.
3. Immediately call your gas supplier from a neighbor's phone. Follow the gas supplier's instructions.
4. If you cannot reach your gas supplier, call the fire department.
5. Installation and service must be performed by a qualified installer, service agency or the gas supplier.

## **WARNING**

To reduce the risk of injury to persons in the event of a cooktop grease fire, observe the following: Turn burner off first. Smother flames with a close-fitting lid, cookie sheet, metal tray, baking soda or use a dry chemical or foam-type fire extinguisher. Be careful to prevent burns. If the flames do not go out immediately evacuate and call the fire department. Never pick up a flaming pan - You may be burned. **DO NOT USE WATER ON GREASE FIRES**, including wet dishcloths or towels - a violent steam explosion will result. Use an extinguisher **ONLY** if:

1. You know you have a Class ABC extinguisher, and you already know how to operate it.
2. The fire is small and contained in the area where it started.
3. The fire department is being called.
4. You can fight the fire with your back to an exit.

## **IMPORTANT!**

*Installer: leave this manual with the customer.*

*Customer: please retain this manual for future reference and for the local inspector's use.*

# TABLE OF CONTENTS

INTRODUCTION	3
SAFETY PRACTICES AND PRECAUTIONS	4
MODELS	7
PLANNING THE INSTALLATION	8
UNPACKING AND HANDLING	10
VENTILATION REQUIREMENTS	11
CABINET PREPARATION	12
BACKGUARD INSTALLATION	15
ELECTRICAL CONNECTIONS	15
GAS HOOK-UP	16
TEST AND ADJUSTMENTS	17
INSTALLER FINAL CHECKLIST	18
WARRANTY AND SERVICE	19

# INTRODUCTION

## IMPORTANT INSTALLATION INFORMATION

The cooktops are tested in accordance with ANSI Z21.1 Standard for Household Cooking Gas Appliances.

**These cooktops must be installed in conjunction with a suitable overhead vent hood.** (See ventilation requirements). Due to the professional high heat capacity of this unit, particular attention should be paid to the hood and duct work installation to ensure it meets local building codes. To eliminate risk of burns or fire by reaching over heated surface units, cabinet storage located above the surface units should be avoided.

Check local building codes for the proper method of cooktop installation. Local codes vary. Installation, electrical connections, and grounding must comply with all applicable codes. In the absence of local codes, the cooktop should be installed in accordance with the National Fuel Gas Code ANSI Z223.1 and National Electrical Code ANSI / NFPA 70. Be sure that the unit being installed is set up for the kind of gas being used. The gas cooktop is shipped from the factory set and adjusted for natural gas or LP (propane), depending on the specific model ordered. **Verify that the cooktop is compatible with gas supply at the installation site before proceeding further.** Return cooktop to dealer if unit is not set for site gas supply.

When properly cared for, your new DCS Appliance has been designed to be a safe, reliable cooking appliance. When using this restaurant caliber appliance, use it with extreme care, as this type appliance provides intense heat and can increase the accident potential. Basic safety precautions must be followed when using kitchen appliances, including the following:

- Read the user guide, which came with this appliance, thoroughly before using your new appliance. This will help to reduce the risk of fire, electric shock, or injury to persons.
- Begin by insuring proper installation and servicing. Follow the installation instructions in this manual. Be sure to have a qualified technician install and ground this appliance before using.
- Have the installer show you where the gas supply shut-off valve is located so you will know how and where to turn off the gas to the appliance.
- If you smell gas, the installer has not done a proper job of checking for leaks. Shut the gas to the appliance off and follow the instructions on the inside front cover of this manual. Do not attempt to find the leak yourself. This must be done by a qualified service technician only.
- If by some chance a burner goes out and gas escapes, open a window or a door to let the room air out. Do not attempt to use the appliance until the gas has had time to dissipate. Follow the instructions on the inside front cover of this manual.
- This appliance has been factory assembled for natural or LP gas. It should be correctly adjusted from the factory for the type of gas that is used.
- Do not repair or replace any part of this appliance unless it is specifically recommended in this manual. All other servicing should be referred to a qualified technician.
- Children should not be left alone or unattended in an area where appliances are in use. They should never be allowed to turn knobs, push buttons, sit or stand on any part of an appliance while in operation.



## **WARNING:**

**Do not store items of interest to children above or at the back of any appliance. Children could be seriously injured if they should climb onto the appliance to reach these items.**

- Never store anything on the cooktop. Flammable materials can catch fire, plastic items may melt or ignite and other types of items could be ruined.
- Do not hang articles from any part of the appliance or place anything against the oven. Some fabrics are quite flammable and may catch on fire.
- If the appliance is near a window be certain the curtains do not blow over or near the cooktop burners; they could catch on fire.
- Do not use water on grease fires. Turn all burners OFF, then smother fire with baking soda or use a dry chemical or foam-type fire extinguisher.
- Never let clothing, pot holders, or other flammable materials come in contact with, or too close to, any burner or burner grate until it has cooled. Fabric may ignite and result in personal injury.
- Be certain to use only dry pot holders: moist or damp pot holders on hot surfaces may cause burns from steam. Do not use a towel or other bulky cloth in place of pot holders. Do not let pot holders touch hot burners, or burner grates.
- For personal safety, wear proper apparel. Loose fitting garments or hanging sleeves should never be worn while using this appliance. Some synthetic fabrics are highly flammable and should not be worn while cooking.

# SAFETY PRACTICES AND PRECAUTIONS

- Do not use aluminum foil to line any part of the cooktop. Doing so, heat will be trapped underneath it. This trapped heat can upset the cooking performance and can damage the finish of the cooktop parts.
- This appliance is for cooking. Never use the cooktop to warm or heat a room. This could damage the cooktop.



**WARNING! NEVER** use this appliance as a space heater to heat or warm the room. Doing so may result in carbon monoxide poisoning.

- When using the cooktop: Do not touch the burner grates or the immediate surrounding area. Areas adjacent to the burners may become hot enough to cause burns.
- Never leave the cooktop unattended when using high flame settings. When cooking with high flame settings, boil overs may cause smoking and greasy spill overs may ignite. More importantly, if the burner flames are smothered by a severe boil over which affects the igniter, unburned gas will escape into the room.
- Only certain types of glass, heat-proof glass-ceramic, ceramic, earthen ware, or other glazed utensils are suitable for cooktop use. This type of utensil may break with sudden temperature changes. Use only on low or medium flames settings according to the manufacturer's directions. The use of professional utensils is recommended.
- Do not heat unopened food containers; a build up of pressure may cause the container to burst.
- During cooking, set the burner control so that the flame heats only the bottom of the pan and does not extend beyond the bottom of the pan. This could heat and/or melt the handles, and may increase cooking time.
- Always use utensils that have flat bottoms large enough to cover the burner. The use of undersized utensils will expose a portion of the flame to direct contact and may result in ignition of clothing.
- To minimize burns, ignition of flammable materials and unintentional spill overs, position handles of utensils inward so they do not extend over adjacent work areas, cooking areas, or the edge of the cooktop.
- Hold the handle of the pan to prevent movement of the utensil when stirring or turning food.
- Grease is flammable. Let hot grease cool before attempting to handle it. Avoid letting grease deposits collect around the cooktop burners. Clean after each use or boil over.
- For proper lighting and performance of the cooktop burners, keep the burner ports clean. It may be necessary to clean these when there is a boil over or when the burner does not light, even though the electronic igniters click.
- Do not use the grill for cooking excessively fatty meats or products which promote flare-ups. Do not use cooking utensils on the grill.

## 6 SAFETY PRACTICES AND PRECAUTIONS

US  
CA

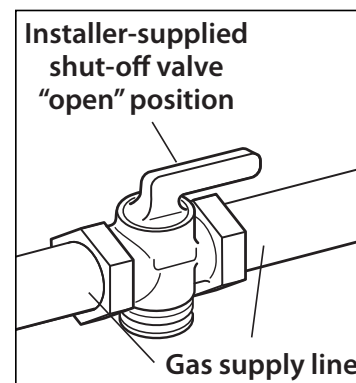
- Clean the cooktop with caution. Avoid steam burns; do not use a wet sponge or cloth to clean the cooktop while it is hot. Some cleaners produce noxious fumes if applied to a hot surface. Follow directions provided by the cleaner manufacturer.
- Be sure all the cooktop controls are turned off and the appliance is cool before using any type of aerosol cleaner on or around the appliance. The chemical that produces the spraying action could, in the presence of heat, ignite or cause metal parts to corrode.
- Clean the ventilator hood and filters above the cooktop frequently so grease from cooking vapors does not accumulate on them.
- Turn the ventilator OFF in case of fire or when intentionally “flaming” liquor or other spirits on the cooktop. The blower, if in operation, could unsafely spread the flames.
- DO NOT obstruct the flow of combustion or ventilation air to the appliance. Be sure a fresh air supply is available.
- For safety reasons and to avoid damage to the appliance never sit, stand, or lean on the cooking surface.
- Service should only be done by authorized technicians. Technicians must disconnect the power supply before servicing this appliance.

### **WARNING:**

California Proposition 65 - The burning of gas cooking fuel generates some by-products which are known by the State of California to cause cancer or reproductive harm. California law requires businesses to warn customers of potential exposure to such substances. To minimize exposure to these substances, always operate this unit according to the instructions contained in this booklet and provide good ventilation to the room when cooking with gas.

### **REQUIREMENTS FOR HOOK-UP TO GAS SUPPLY**

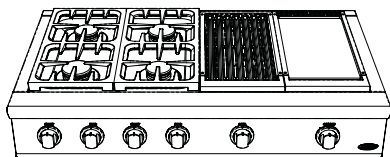
- The gas supply connections should be made by a qualified technician in accordance with local codes or ordinances. In the absence of a local code, the installation must conform to the latest edition of National Fuel Gas Code ANSI Z.223.1 (Warning: this appliance must be installed by a licensed plumber or gas fitter when within the Commonwealth of Massachusetts).
- A manual shut-off valve (supplied by the installer) must be installed in an accessible location in the gas line external to the appliance for the purpose of turning on or shutting off gas to the appliance. (In Massachusetts such shut-off valves should be approved by the Board of State Examiners of Plumbers & Gas Fitters.) The shut-off valve must be located within 6 feet (1.8 metres) of the appliance it serves.
- Make sure the gas supply is turned off at the wall valve before connecting the appliance
- Leak-testing of the appliance shall be conducted according to the manufacturer’s instructions. See instructions in section ‘Test and adjustments’.



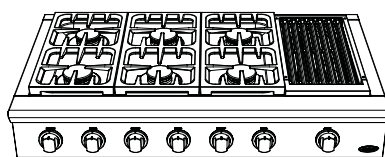


# MODELS

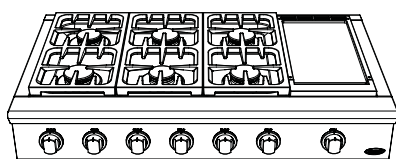
## 48" CPU COOKTOP MODELS



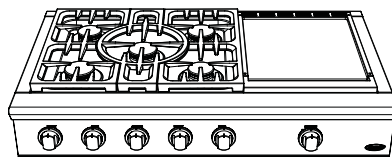
CPU-484GG



CPU-486GL

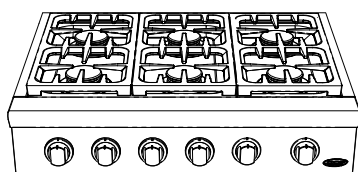


CPU-486GD

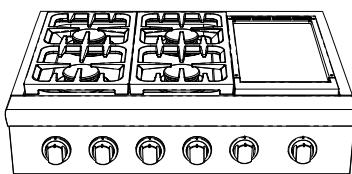


CPU-485GD

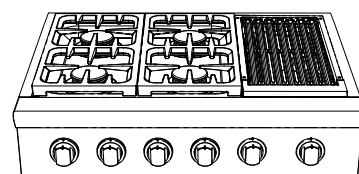
## 36" CPU COOKTOP MODELS



CPU-366



CPU-364GD



CPU-364GL

# PLANNING THE INSTALLATION

US  
CA

## IMPORTANT INSTALLATION INFORMATION

All cooktop models with less than a 12" clearance between combustible material and the back edge of the cooktop, require the installation of one of the two offered Wall Mount Backguards – see section 'Backguard installation'.

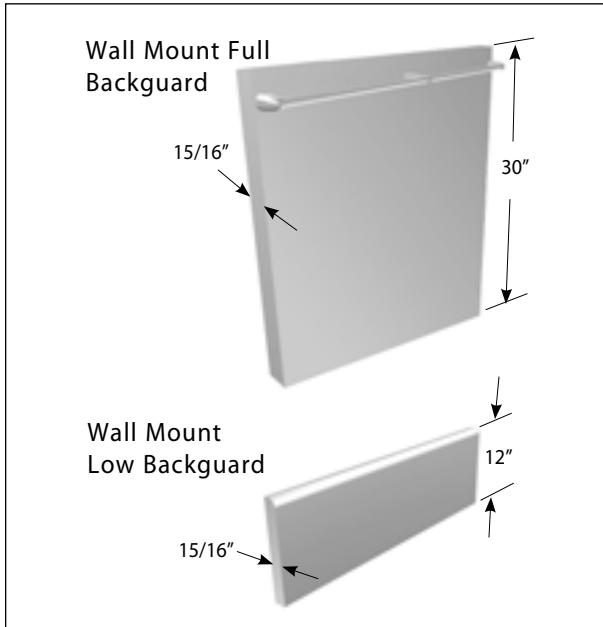


FIG. 1

	MODEL NUMBER	
	LOW BACKGUARD	FULL BACKGUARD
48" Cooktop	BGCU-1248	BGCU-3048
36" Cooktop	BGCU-1236	BGCU-3036

# PLANNING THE INSTALLATION

## RECOMMENDED INSTALLATION SEQUENCE

Install components in the following order:

- A. Vent Hood
- B. Backguard System (sold separately)
- C. Cooktop

1. Locate cooktop according to cooktop installation instructions.
2. Measure distance from counter surface to top of trim on cooktop adding 1/4" for backguard clearance.
3. Transfer this measurement to the wall. This will mark the bottom of your backguard.
4. From this line measure 29-3/4" up wall to mark top of 30" backguard. This is the minimum height that the bottom of your vent hood can be installed.
5. Follow vent hood manufacturer's installation instructions to install vent hood.
6. Follow backguard installation instructions to install backguard.
7. Connect gas and electric connections and slide cooktop into position.

### **NOTE:**

*A manual gas supply valve must be installed. See section 'Gas Hook-up'.*

# 10 UNPACKING AND HANDLING

US  
CA

## **CAUTION:**

Proper equipment and adequate manpower must be used in moving the cooktop to avoid personal injury or damage to the unit.

## **MOVING AND PLACING THE COOKTOP**

The cooktops have a shipping weight of approximately 228 pounds (36" models) and 324 pounds (48" models). After removal of packing materials, it is recommended that the grates and grease drip-pan (some models only) be removed to facilitate handling. This will reduce the weight to about 150 pounds.

- DO NOT REMOVE THE GRILL OR GRIDDLE ASSEMBLIES.

It may be necessary to remove the cooktop knobs to pass through some doorways. With the knobs removed a 29-3/8" wide opening is required. Remove the outer carton and packing material from the shipping base. The cooktop is held to the skid by four straps. After removing the straps, the cooktop must be lifted and removed from the skid.

- The professional cooktop should be moved close to its final location. Electric and gas connections should be made and the backguard installed before the cooktop is placed in its final position.

## **ANCHORING THE COOKTOP**

- Due to the weight of the cooktop, it is not necessary to anchor the unit to the counter.

# VENTILATION REQUIREMENTS

**A suitable exhaust hood must be installed above the cooktop.** The following chart indicates the minimum blower capacity recommended for hood ventilation.

VENTILATION UNIT	STANDARD COUNTER INSTALLATION RECOMMENDATIONS	ISLAND INSTALLATION RECOMMENDATIONS
HOOD	24" Deep x Unit Width	30" Deep x 36" at Bottom
BLOWER	<b>48" Cooktop</b> 1200 CFM	1200 CFM
	<b>*36" Cooktop</b> 600-1200 CFM	600-1200 CFM

\* Cooktops featuring a grill require a 1200 CFM ventilation unit.

## CAUTION:

Ventilation hoods and blowers are designed for use with single wall ducting. However, some local building codes or inspectors may require double wall ducting and/or damper. Consult local building codes and/or local agencies, before starting, to ensure that hood and duct installation will meet local requirements.

Hood blower speeds should be variable to reduce noise and loss of heated or air conditioned household air when maximum ventilation is not required. Normally, the maximum blower speed is only required when using the grill.

For best smoke elimination, the lower edge of the hood should be installed a minimum of 30" to a maximum of 36" above the cooktop cooking surface, see section 'Cabinet preparation'. If the hood contains any combustible materials (i.e. a wood covering) it must be a minimum of 36" above the cooking surface.

Due to a high volume of ventilation air, a source of make-up air (outside replacement air) is recommended. This is particularly important for tightly sealed and insulated homes. A reputable heating and ventilating contractor should be consulted.

# 12 CABINET PREPARATION

US  
CA

1. To ensure professional results, the cabinet and countertop openings should be prepared by a qualified cabinet worker. We recommend having the cooktop available before cutting the opening for more precise dimension verification.
2. The clearances shown in Fig. 6 are required for all types of backguard installations.
3. The cooktop must be supported from the bottom. Provide a platform or some other means of support to set the cooktop on.

**NOTE:**

*Opening is required for gas and electrical.*

4. The cooktop can be installed in various positions with the front either flush or projecting, depending on the countertop depth.
5. Establish the centerline of the desired cooktop location. It should be the same as the center of the overhead ventilation hood.

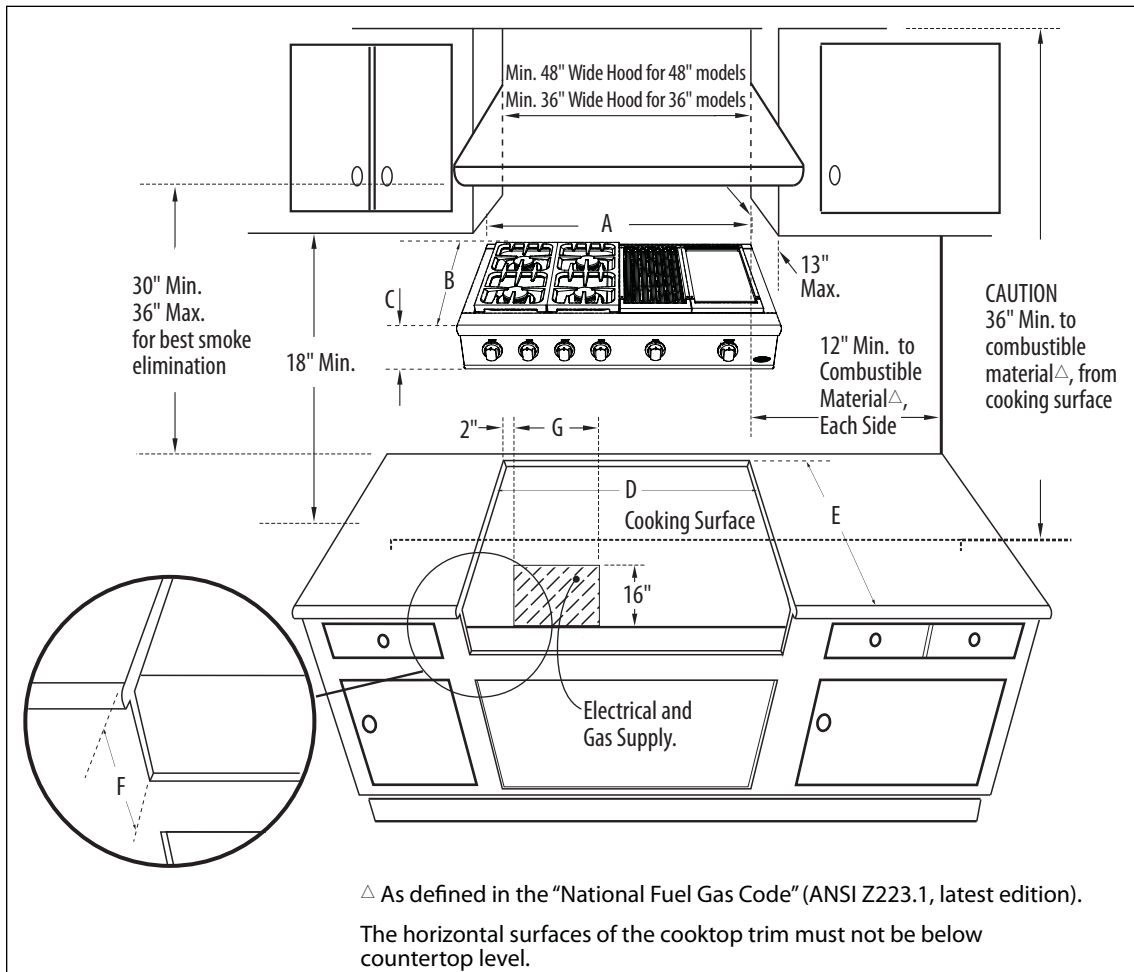


Fig. 2

MODELS	A	B	C	D	E	F	G
CPU-48 Models	47-7/8"	28"	8-5/16"	48"	24-1/2" or 27"*	8"	17"
CPU-36 Models	35-7/8"	28"	8-5/16"	36"	24-1/2" or 27"*	8"	7"

\*24-1/2" for installation with projecting control panel, 27" for installation with flush control panel.

# CABINET PREPARATION

- 6. Cut the openings for the following installation:
  - Standard counter top installation, see Fig. 6A
  - Deep counter or island installation, see Fig. 6B

**NOTE:**

*The sides or bottom of the opening may be solid combustible or non-combustible material. If the bottom is solid, provide a 6" x 6" cutout in the left rear corner for the gas inlet and power cord clearance. See Fig. 4.*

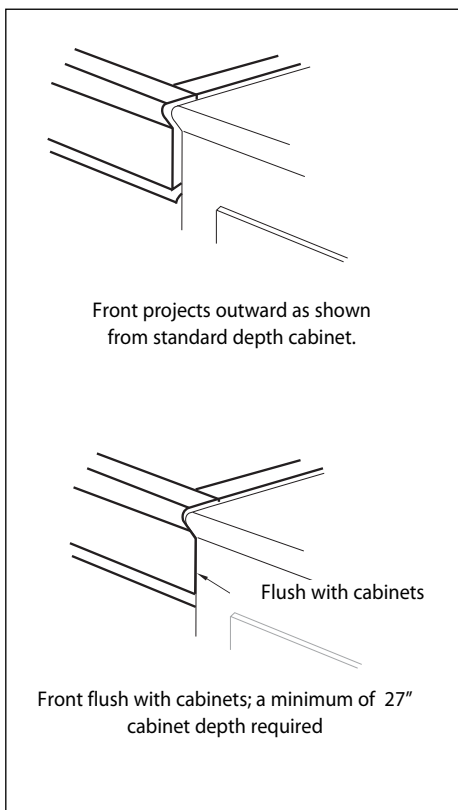


Fig. 3

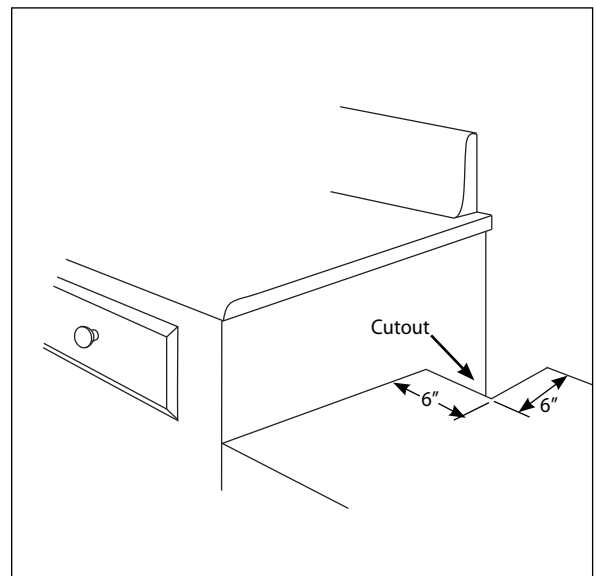


Fig. 4

# CABINET PREPARATION

US  
CA

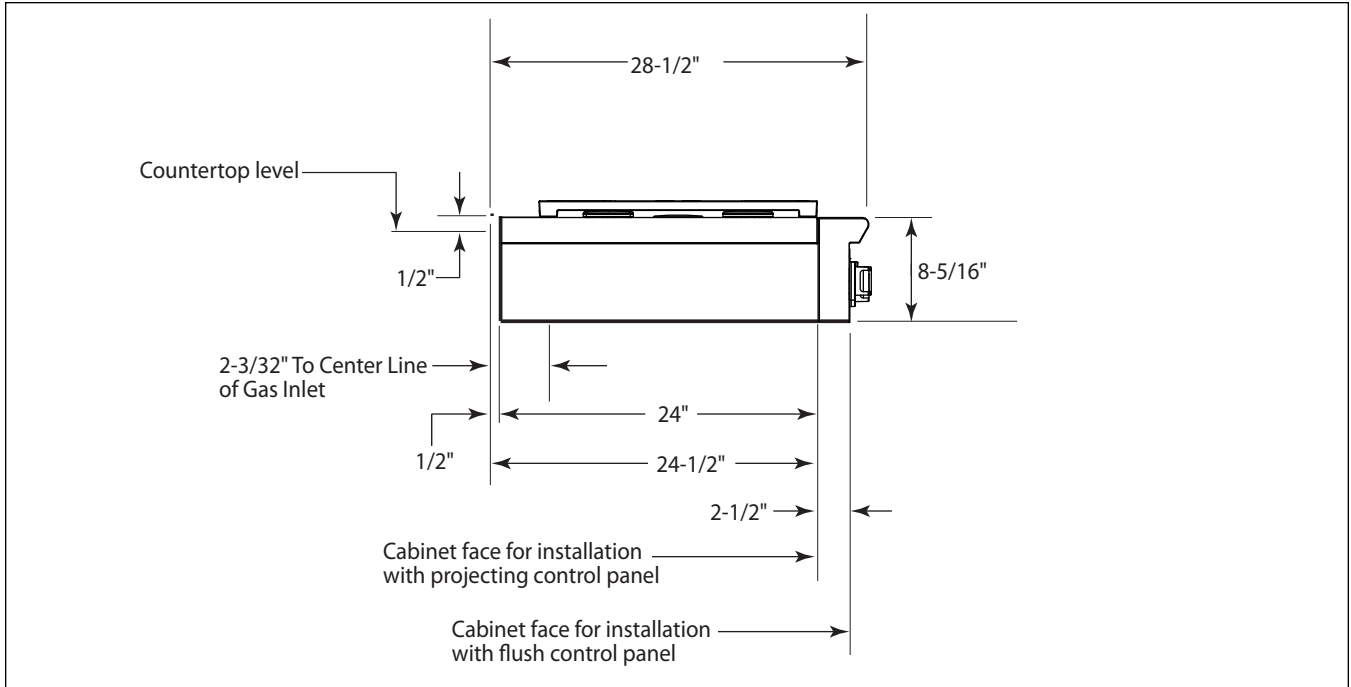


Fig. 5

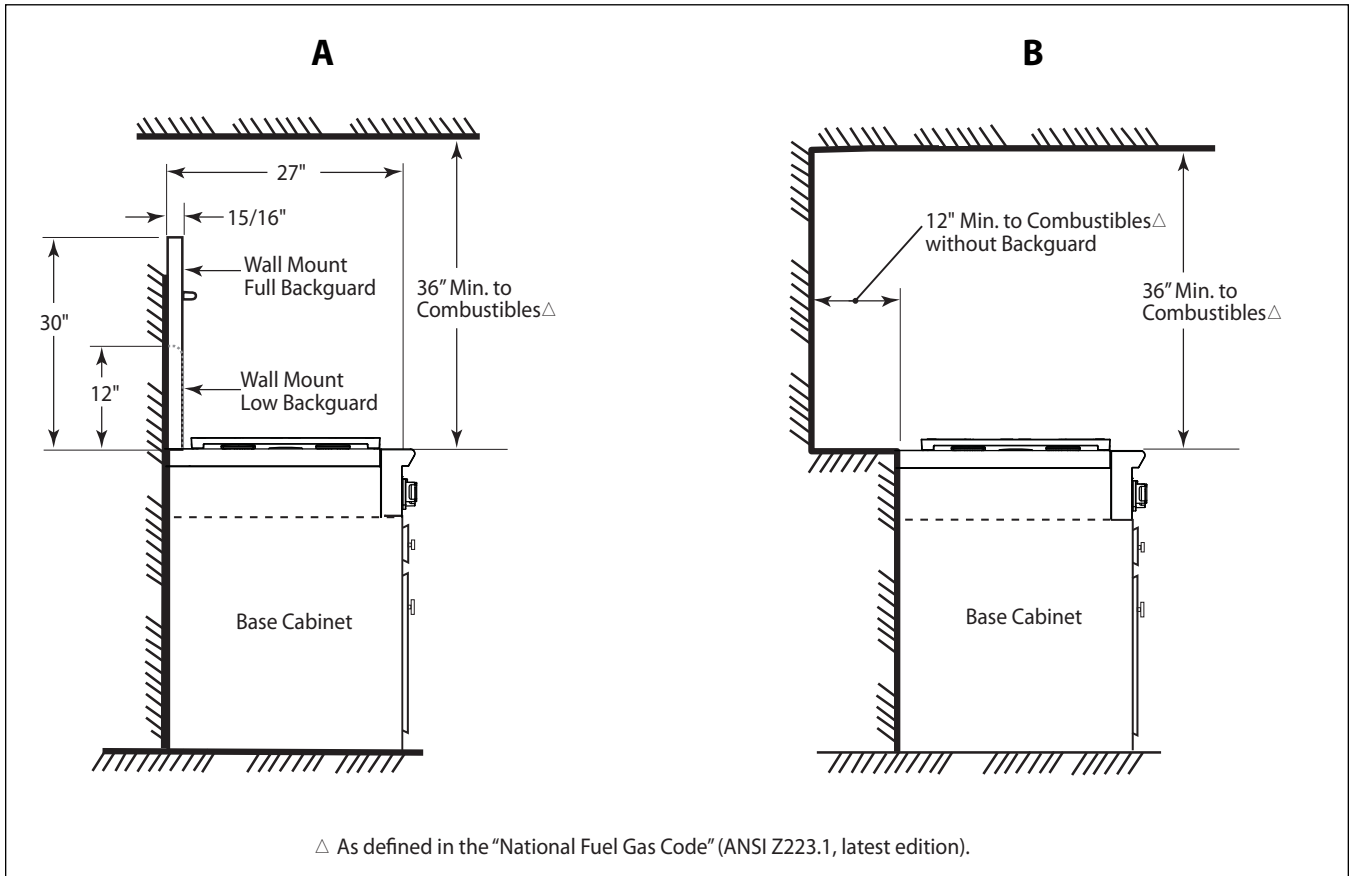


Fig. 6



# BACKGUARD INSTALLATION

The backguard is located as shown in Fig. 7. Secure the backguard to the wall behind the cooktop. Specific instructions for installation of the full backguard or low backguard can be found packaged with the backguard. See also, "Planning The Installation" section. A backguard must be installed when there is less than a 12" clearance between combustibles and the back of the cooktop (above the cooking surface). See fig. 6.

DCS backguards are sold separately.

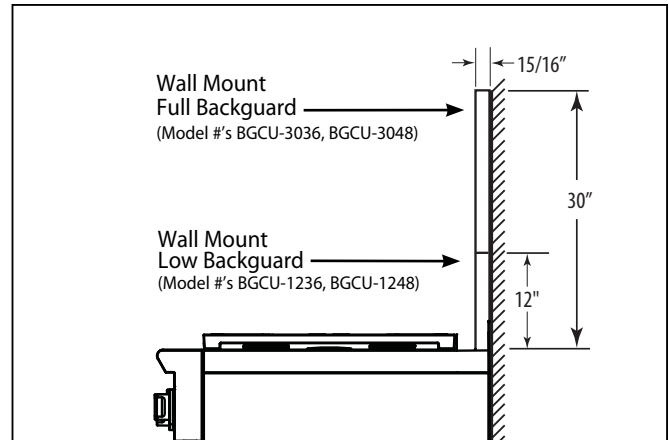
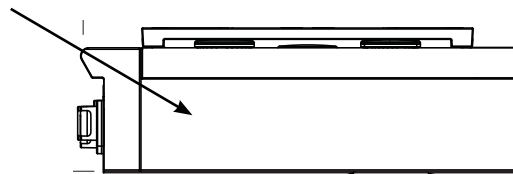


Fig. 7

## ELECTRICAL CONNECTIONS

The rating label is located on the right-hand side of the cooktop, towards the front.



Wiring diagrams are also included in the service summary, attached to the underside of the cooktop.

A wiring diagram label is attached on the underside of the cooktop.

### ELECTRICAL REQUIREMENTS

- 120 VAC, 60 Hz., single phase
- CU-48: 15 Amp. Max. (use 15 Amp. circuit)
- CU-36: 15 Amp. Max. (use 15 Amp. circuit)

Always disconnect electric supply cord from the wall outlet or service disconnect before servicing this appliance. Observe all governing codes and ordinances when grounding, in absence of which, observe National Electrical Code ANSI / NFPA No. 70.

### REQUIRED GROUNDING METHOD

This appliance is factory equipped with a power supply cord with a three-prong grounding plug (with polarized parallel blades). It must be plugged into a mating grounding type receptacle, connected to a correctly polarized 120 Volt circuit. If the circuit does not have a grounding type receptacle, it is the responsibility and obligation of the installer to have the existing receptacle changed to a properly grounded and polarized receptacle in accordance with all applicable local codes and ordinances by a qualified electrician. In the absence of local codes and ordinances, the receptacle replacement shall be in accordance with the National Electrical Code.

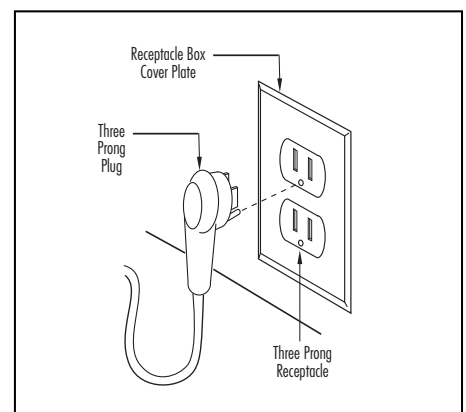


Fig. 8

### Note:

*The third prong should not, under ANY circumstances, be cut or removed.*

## GAS REQUIREMENTS

Verify the type of gas supplied to the location. The cooktop is shipped from the factory set up and adjusted for Natural Gas or LP (propane), depending on the specific model ordered. **Verify that the cooktop is compatible with gas supply at the installation site before proceeding further.** Return the cooktop to the dealer if the unit is not set for the gas supplied at the site.

### NATURAL GAS

■ Connection: 1/2" NPT Minimum 5/8" dia. flex line.

■ Supply Pressure: 6" to 9" W.C.

### LP GAS

■ Connection: 1/2" NPT Minimum 5/8 dia. flex line.

■ Supply Pressure: 11" to 14" W.C.

*A regulator is required at the LP source to provide a maximum of 14" W.C. to the cooktop regulator.*

## HOOK-UP TO GAS SUPPLY

A manual valve must be installed external to the appliance, in an accessible location from the front for the purpose of shutting off the gas supply (Fig. 9). Make sure the gas supply is turned off at the wall valve before connecting the appliance. The gas supply connections should be made by a qualified technician and in accordance with local codes or ordinances. In the absence of a local code, the installation must conform to the latest edition of National Fuel Gas Code ANSI Z223.1.

To prepare the unit for connection to the gas supply, thread the supplied 1/2" pipe nipple into the elbow on the end of the manifold. The elbow is located inside the chassis of the unit, on the end of the manifold, facing down. See fig.10. It is accessible through the square cutout in the left rear corner of the chassis bottom. Connect the outlet of the regulator to the exposed end of the nipple, connect the flex line from the gas supply to the inlet side of the regulator.

### NOTE:

*Pipe sealant must be used on all pipe threads.*

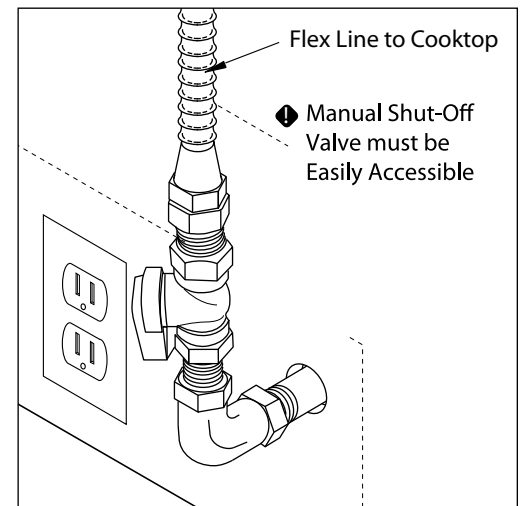


Fig. 9

## CAUTION:

■ Leak-testing of the appliance shall be conducted according to the manufacturer's instructions. See instructions in section 'Test and adjustments'.

■ The appliance must be isolated from the building's gas supply piping system by closing its individual manual shut-off valve during any pressure testing of the gas supply piping system at test pressures equal to or less than 1/2 psig (3.5kPa).

■ The appliance and its individual shut-off valve must be disconnected from the gas supply piping system during any pressure testing of the system at the test pressures in excess of 1/2 psig (3.5kPa).

■ When checking the manifold gas pressure, the inlet pressure to the regulator should be at least 7.0" W.C. for natural gas or 12.0" for LP.

### NOTE:

*The arrow on the regulator indicating direction of gas flow should be pointing towards the unit. The flex line for the gas supply must be metal and be approved by an approved certifying agency (AGA, CGA, or UL). Never use a hose made of rubber or other synthetic material, as the heat may cause the hose to melt and develop leaks.*

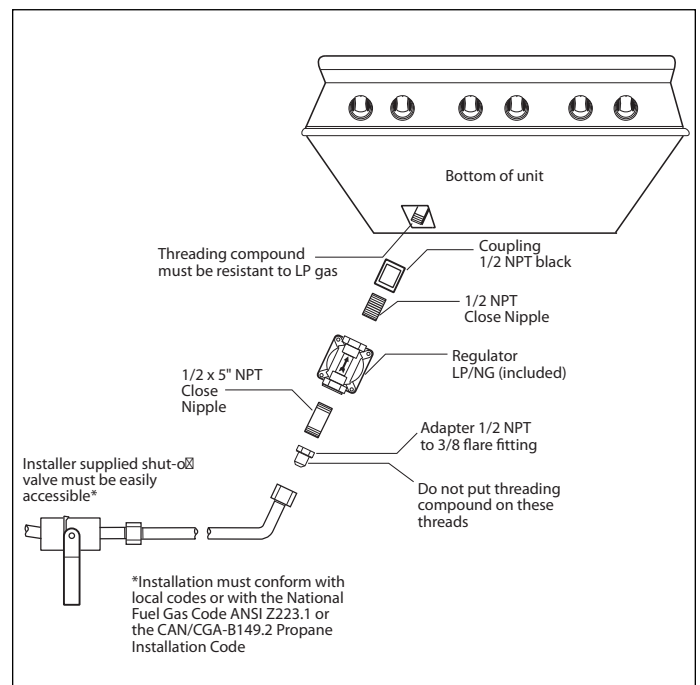


Fig. 10

## LEAK TESTING:

- After final gas connection is made, turn on manual gas valve and test all connections in gas supply piping for gas leaks with a soapy water solution. During this test all appliance gas valves have to be closed.
- In order to avoid property damage or serious personal injury, never use a lighted match or open flame. If a leak is present, tighten joint or unscrew, apply more joint compound, tighten again and retest connection for leak.

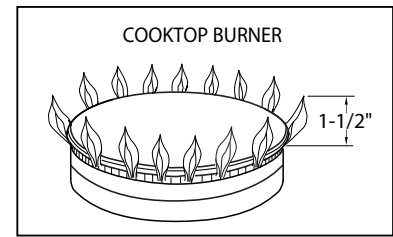


FIG. 11

## WARNING:

For warranty coverage, DCS requires that burner adjustments be made by a qualified technician at the time of installation. Extreme care should be used when adjustments are made after installation.

## COOKTOP BURNERS

The cooktop burners are not adjustable. Proper operation is achieved when the correct orifices for gas supply are installed at the factory, based on model ordered.

When installing the burner port ring, be sure that the two locating pins in the bottom side of the brass port ring are properly aligned with the locating notch and center holes on the top side of the simmer ring. Incorrect alignment will produce a potentially dangerous flame and poor burner performance.

### Note:

*No air shutter adjustment is possible on the cooktop burners. Burner flames should be blue and stable with no yellow-tipping (some yellow-tipping is normal with LP gas), excessive noise, or lifting of flame from the burner (Fig. 11).*

## COOKTOP BURNER LIGHTING NOTE

The cooktop burners have an infinite number of heat settings and there are no fixed positions on the control knobs between HI and LO. To turn the cooktop burner on, push in on the control knob and turn it counterclockwise to the "LITE" position. An audible clicking sound will be heard. When the gas has been ignited by the electronic spark igniter, turn the knob to the desired setting.

### Note:

*The igniter will continue to click until a flame is present. If the cooktop burner does not ignite, check the spark igniter by listening for a clicking sound. If you do not hear the igniter click, turn off the burner. Check for a tripped circuit breaker, blown fuse, or poor wire connection to the igniter.*

## WARNING:

When turning on any cooktop burner, be sure to stop at the "LITE" position before turning the burner to a flame setting for cooking. If the burner is not lit and it is turned beyond the "LITE" position, to HI, MEDIUM, or LO, there will be a burst of flame when the burner does light. This could cause burns or damage to the surrounding countertop.

## THIS ADJUSTMENT SECTION APPLIES TO THE GRIDDLE AND GRILL BURNERS.

Check for the proper burner flame characteristics and adjust air shutters if necessary (fig. 12). Each valve and air shutter is individually tested and adjusted prior to shipment. Normally adjustment is not required, however, vibration during transit, gas conversion or variations in the local gas supply may make minor adjustments necessary. Burner flames should be blue and stable with no yellow tips, excessive noise or lifting of the flame from the burner. If any of these conditions exist, check that the air shutter or burner ports are not blocked. If this condition persists, adjust the air shutter as required. If the flame is too yellow, indicating insufficient air, adjust the shutter counterclockwise to increase air inlet. If the flame is noisy or tends to lift away from the burner, indicating too much air, turn the shutter clockwise to reduce air. The griddle flames should be 1-1/2" to 2". The grill burner flames should be 3/8" to 5/8" (fig. 13).

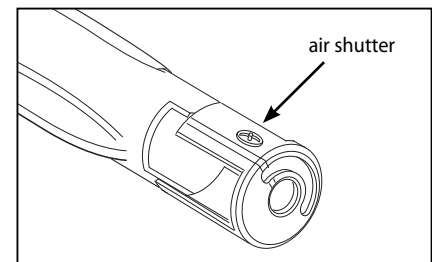


Fig. 12

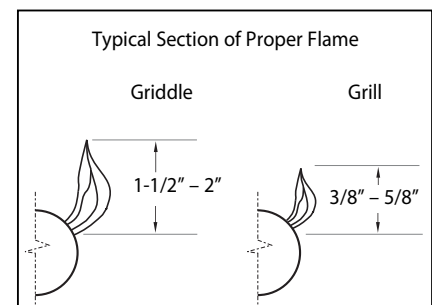


Fig. 13

**GENERAL**

- Placement of unit.
- Specified clearance maintained to cabinet surfaces.
- Unit Level - front to back, side to side.
- All packaging material and tie straps removed.
- Backguard attached if there is less than 12" clearance from the back edge of the cooktop to combustibles behind unit.
- Radiant tray placed in grill unit (if equipped). Grill rack in place.

**ELECTRICAL**

- Receptacle with 15 ampere over-current protection is provided for service cord connection.
- Adequate ground connection.

**GAS SUPPLY**

- Connection: 1/2 NPT with a minimum 5/8" diameter flex line. Site gas supply is compatible with cooktop model, and sufficient pressure is available (see section 'Gas Hook-up').
- The pressure regulator which is connected to the manifold is set for 5.0" W.C. for natural gas or 10.0" W.C. for LP.
- Manual gas shut-off valve installed in an accessible location.
- Unit tested and free of gas leaks.

**OPERATION**

- All internal packing materials removed.
- If used on LP gas, verify that pressure regulator, orifice hoods, air shutters, and valve jets have been set for use with LP gas.
- Grill compartment seated and does not rock (if equipped).
- Bezels centered on burner knobs and knobs turn freely.
- Each burner lights satisfactorily, both individually and with other burners operating at the same time.
- Griddle is level and does not rock (if equipped).
- Burner grates correctly positioned, level, and do not rock.
- Griddle flame (see section 'Test and adjustments').
- Grill flame (see section 'Test and adjustments').
- Cooktop burner flame (see section 'Test and adjustments').

## Before you call for service or assistance ...

Check the things you can do yourself. Refer to the installation instructions and your user guide and check that:

- 1 your product is correctly installed
- 2 you are familiar with its normal operation.

If after checking these points you still need assistance or parts, please refer to the Service & Warranty document for warranty details and your nearest Authorized Service Center, Customer Care, or contact us through our website [www.dcsappliances.com](http://www.dcsappliances.com).

## Contact details

For replacement parts or if further help is needed concerning this appliance call:

**Toll Free 1 888 936 7872**

or write to:

**Fisher & Paykel Appliances Inc.  
5900 Skylab Road  
Huntington Beach, CA 92647  
USA**

or contact us through our web site, [www.dcsappliances.com](http://www.dcsappliances.com)

Nous vous remercions d'avoir choisi cette cuisinière à gaz professionnelle DCS. Nous avons conçu ce Manuel d'installation pour expliquer ses fonctions uniques. Il contient des informations extrêmement utiles sur la façon d'installer correctement votre nouvel appareil. Vous pourrez ainsi en profiter pendant des années en toute sécurité.

Si vous avez des questions au sujet de notre produit, communiquez avec un représentant du centre de service à la clientèle Fisher & Paykel par téléphone : 1-888-936-7872, ou par courriel : [customer.care@fisherpaykel.com](mailto:customer.care@fisherpaykel.com).

**REMARQUE :** Inspecter le produit pour vérifier qu'il n'a pas été endommagé pendant l'expédition. En cas de dommages, contacter le transporteur et entamer une déclaration pour dommage. DCS by Fisher & Paykel n'est en aucun cas responsable des dommages pendant l'expédition.

*Ne pas jeter le matériau d'emballage (boîte, palette, sangles) avant d'avoir inspecté l'unité.*

## **AVERTISSEMENT!**

Toute installation, ajustement, altération ou entretien incorrect peut causer des dommages matériels, des blessures ou la mort. Veuillez lire soigneusement ces instructions d'installation, d'utilisation et d'entretien avant d'installer, utiliser ou effectuer l'entretien de cet appareil.

## **AVERTISSEMENT!**

Si les informations de ce manuel ne sont pas suivies à la lettre, un incendie ou une explosion peuvent se produire et causer des dommages matériels, des blessures ou la mort.

Évitez de stocker ou d'utiliser de l'essence ou tout autre liquide et vapeur inflammable à proximité de cet appareil électroménager ou de tout autre.

## **DANGER**

Si vous sentez une odeur de gaz :

1. N'essayez pas d'allumer aucun appareil électroménager.
2. Ne touchez aucun interrupteur électrique; n'utilisez aucun téléphone dans l'édifice.
3. Appelez immédiatement votre fournisseur de gaz de chez un voisin. Suivez les instructions du fournisseur de gaz.
4. Si vous n'arrivez pas à joindre votre fournisseur de gaz, appelez les pompiers.
5. Toute installation ou service doit être confié à un installateur qualifié, un organisme de service ou le fournisseur de gaz.

## **AVERTISSEMENT!**

Pour réduire les risques de blessures en cas de feu de graisse sur la table de cuisson, respectez les consignes suivantes : Éteignez d'abord le brûleur. Étouffez les flammes à l'aide d'un couvercle hermétique, d'une plaque à biscuits d'un plateau métallique, de bicarbonate de soude ou à l'aide d'un extincteur à poudre ou à mousse. Attention à ne pas vous brûler. Si les flammes ne s'éteignent pas immédiatement, évacuez les lieux et appelez les pompiers. Ne prenez jamais en main une poêle ou une casserole qui a pris feu; vous pourriez vous brûler. **N'UTILISEZ PAS D'EAU SUR UN FEU DE GRAISSE, y compris des serviettes mouillées; une explosion de vapeur violente pourrait en résulter. Utilisez un extincteur SEULEMENT si :**

1. Vous êtes sûr qu'il s'agit d'un extincteur de classe ABC et savez comment le faire fonctionner.
2. L'incendie est limité et se limite à l'endroit où il s'est déclenché.
3. Vous êtes en train d'avertir les pompiers.
4. Vous pouvez combattre l'incendie le dos tourné vers une sortie.

## **IMPORTANT!**

**Installateur:** Laissez ce manuel avec le client.

**Client:** Veuillez conserver ce manuel à titre de référence et pour l'inspecteur local.

INTRODUCTION	22
MESURES DE SÉCURITÉ ET DE PRÉCAUTION	23
MODÈLES	26
PLANIFICATION DE L'INSTALLATION	27
DÉBALLAGE ET MANIPULATION	29
EXIGENCES EN MATIÈRE DE VENTILATION	30
PRÉPARATION DES ARMOIRES	31
INSTALLATION DU DOSSERET	34
CONNEXIONS ÉLECTRIQUES	34
BRANCHEMENT DU GAZ	35
ESSAI ET RÉGLAGES	36
Liste de contrôle finale de l'installateur	38
GARANTIE ET SERVICE	39

**INFORMATIONS IMPORTANTES CONCERNANT L'INSTALLATION**

Les tables de cuisson professionnelles CPU ont été testées conformément à la norme ANSI Z21.1 pour les appareils électroménagers domestiques de cuisson à gaz. **Ces tables de cuisson doivent être installées avec une hotte de ventilation suspendue (voir les exigences en matière de ventilation).** Étant donnée la puissance de feu professionnelle élevée de cet appareil, faites particulièrement attention à l'installation de la hotte et de ses conduites de manière à respecter les codes du bâtiment en vigueur. Afin d'éliminer les risques de brûlures ou d'incendie qui peuvent se produire lorsqu'on s'étire au-dessus d'appareils aux surfaces chauffantes, évitez de placer des armoires de cuisine au-dessus de l'appareil.

Consultez les codes du bâtiment en vigueur concernant la méthode à suivre pour installer l'appareil. Les codes peuvent varier d'une région à l'autre. L'installation, les connexions électriques et la mise à la terre doivent être conformes à tous les codes en vigueur. En l'absence de tels codes, l'appareil doit être installé conformément à la norme ANSI Z223.1 du National Fuel Gas Code et la norme 70 ANSI/NFPA du National Electrical Code (Code national de l'électricité). Assurez-vous que l'appareil installé est réglé selon le type de gaz utilisé. Les tables de cuisson sont réglées en usine pour fonctionner au gaz naturel ou propane selon le modèle spécifique commandé. **Avant d'aller plus loin, vérifiez que l'appareil est compatible avec l'alimentation en gaz du site où elle doit être installée.** Renvoyez l'appareil au distributeur si elle n'est pas réglée pour fonctionner avec l'alimentation en gaz du site.



Votre nouvel appareil DCS fonctionnera de manière sûre et fiable pendant des années si vous en prenez bien soin. Faites extrêmement attention quand vous utilisez cet appareil de niveau professionnel, car il dégage une chaleur intense et peut augmenter les risques d'accidents. Vous devez respecter des consignes de sécurité élémentaires durant l'utilisation d'appareils de cuisine, dont celles-ci :

- Veuillez lire attentivement le guide d'utilisation avant d'utiliser votre nouvel appareil. Ceci vous permettra de réduire les risques d'incendie, de choc électrique ou de blessures.
- Commencez par vous assurer que l'installation et l'entretien sont effectués correctement. Suivez les instructions d'installation fournies avec cet appareil. Avant d'utiliser l'appareil, confiez son installation et sa mise à la terre à un technicien qualifié.
- Demandez-lui de vous montrer l'emplacement du robinet d'arrêt de l'alimentation de gaz afin de savoir comment couper l'arrivée de gaz.
- Si vous sentez une odeur de gaz, cela signifie que l'installateur n'a pas vérifié correctement s'il y avait des fuites. Coupez le gaz à l'appareil et suivez les instructions sur la couverture intérieure de ce manuel. N'essayez pas de trouver la fuite vous-même. Ceci doit être fait par un technicien qualifié de service seulement.
- Si jamais un brûleur s'éteint et laisse s'échapper du gaz, ouvrez la fenêtre ou la porte pour évacuer l'air. N'essayez pas d'utiliser l'appareil avant que le gaz ne se soit complètement dissipé. Suivez les instructions sur la couverture intérieure de ce manuel.
- Cet appareil électroménager a été monté en usine pour être utilisé avec du gaz naturel ou propane. Il doit être réglé correctement en usine selon le type de gaz utilisé.
- Ne réparez pas ni ne remplacez aucune pièce de cet appareil, sauf indication contraire du manuel. Tout autre travail d'entretien doit être confié à un technicien qualifié.
- Les enfants ne doivent pas être laissés seuls ou sans surveillance dans un endroit où l'on utilise des appareils électroménagers. Il ne faut jamais les laisser tourner ou enfoncer des boutons, ni s'asseoir ou se tenir debout sur ces appareils ou les toucher lorsqu'ils sont en marche.



## **AVERTISSEMENT!**

**Évitez de ranger sur les appareils ou à l'arrière des articles pouvant attirer les enfants. Les enfants peuvent être blessés sérieusement s'ils grimpent sur l'appareil pour atteindre ces articles.**

- Ne rangez jamais rien dans le four ni sur la table de cuisson. Des matériaux inflammables pourraient prendre feu, des éléments en plastique pourraient fondre ou s'enflammer et d'autres types d'objets pourraient être détruits.
- Ne suspendez aucun article sur l'appareil et ne placez aucun objet contre le four. Certains matériaux sont très inflammables et pourraient prendre feu.
- Si l'appareil se trouve près d'une fenêtre, assurez-vous que les rideaux sont suffisamment éloignés des brûleurs de la table de cuisson; ils pourraient prendre feu sinon.
- Ne versez pas d'eau sur les feux de graisse. ÉTEIGNEZ tous les brûleurs, puis étouffez le feu avec du bicarbonate de soude ou à l'aide d'un extincteur à poudre ou à mousse.
- Ne laissez jamais des vêtements, gants ou autres matériaux inflammables en contact ou à proximité d'un brûleur ou d'une grille de brûleur tant que ces derniers n'ont pas refroidi. Les tissus peuvent s'enflammer et causer des blessures.

- Utilisez seulement des gants isolants secs : les gants humides sur des surfaces chaudes peuvent provoquer des brûlures causées par la vapeur. N'utilisez pas de serviette ou de linge épais à la place de gants isolants. Ne laissez pas les gants isolants toucher les brûleurs ou leurs grilles.
- Pour assurer votre propre sécurité, habillez-vous de façon appropriée. Ne portez jamais de vêtements ou de manches lâches lorsque vous utilisez l'appareil. Certains tissus synthétiques sont extrêmement inflammables et ne doivent pas être portés pendant la cuisson.
- Ne recouvrez aucune partie de la table de cuisson avec du papier aluminium. C'est un isolant thermique qui peut emprisonner la chaleur, laquelle peut alors affecter la performance de la table de cuisson et endommager la finition des pièces de la table de cuisson.
- Cet appareil électroménager est destiné à la cuisson. N'utilisez jamais le four ou la table de cuisson pour réchauffer ou chauffer une pièce. Une telle utilisation peut endommager les pièces de la table de cuisson.



**AVERTISSEMENT!** N'utilisez **JAMAIS** cet appareil comme appareil de chauffage pour chauffer la pièce. Cela pourrait entraîner un empoisonnement à l'oxyde de carbone.

- Durant l'utilisation de la table de cuisson : ne touchez pas les grilles des brûleurs ou les surfaces adjacentes. Ces surfaces peuvent devenir suffisamment chaudes pour provoquer des brûlures.
- Ne laissez jamais la table de cuisson sans surveillance lorsque vous cuisinez à flamme haute. Un débordement par bouillonnement pourrait produire de la fumée et un déversement graisseux qui pourrait prendre feu. Et, ce qui est plus grave, si les flammes des brûleurs sont étouffées par un débordement important affectant l'allumeur, le gaz non brûlé s'échappera dans la pièce.
- Seuls certains types d'ustensiles en verre, vitrocéramique calorifugée, céramique, poterie ou émaillés sont appropriés pour être utilisés sur la table de cuisson. Ce genre d'ustensile peut se briser à la suite de changements de température soudains. Utilisez-les seulement à feu doux ou moyen selon les instructions du fabricant. Il est recommandé d'utiliser des ustensiles de cuisine professionnels.
- Ne chauffez pas de contenant de nourriture fermé car la pression pourrait s'accumuler et le faire exploser.
- Durant la cuisson, réglez la commande du brûleur de sorte que la flamme ne chauffe que le fond du récipient et ne le dépasse jamais. Cela pourrait sinon chauffer ou faire fondre les poignées.
- Servez-vous toujours d'ustensiles à fond plat suffisamment larges pour couvrir les brûleurs. L'utilisation d'ustensiles trop petits risque d'offrir un contact direct à la flamme et de mettre le feu aux vêtements.
- Afin de réduire le risque de brûlures, d'allumage de matériaux inflammables et de déversement involontaire, tournez les poignées des ustensiles vers l'intérieur afin qu'elles ne surplombent pas les surfaces de travail adjacentes, les zones de cuisson et le bord extérieur de la table de cuisson.
- Tenez la poignée du récipient afin d'empêcher tout mouvement de l'ustensile lorsque vous retournez ou remuez la nourriture.
- La graisse est inflammable. Laissez toute graisse chaude refroidir avant d'essayer de la manipuler. Évitez de laisser la graisse s'accumuler autour des brûleurs de la table de cuisson. Nettoyez après chaque utilisation ou déversement.
- Pour assurer un bon allumage et une bonne performance des brûleurs de la table de cuisson, gardez leurs ports dans un état propre. Il peut s'avérer nécessaire de nettoyer ceux-ci en cas de débordement ou lorsque le brûleur ne s'allume pas, même si les allumeurs électroniques cliquent.
- N'utilisez pas le gril pour cuire des viandes ou des produits très gras pouvant alimenter les flammes. N'utilisez pas d'ustensiles de cuisson dans le gril.

- Nettoyez la table de cuisson avec précaution. Évitez de vous brûler à la vapeur : n'utilisez pas d'éponge ou de linge mouillé pour nettoyer l'appareil alors qu'il est encore chaud. Certains produits de nettoyage dégagent des vapeurs nocives au contact d'une surface chaude. Respectez le mode d'emploi du fabricant du produit de nettoyage.
- Assurez-vous que les boutons de l'appareil sont fermés et que l'appareil est froid avant d'utiliser des nettoyants aérosol sur l'appareil ou à proximité. L'élément chimique qui produit le jet de vaporisation peut, en présence de chaleur, s'enflammer ou provoquer la corrosion des parties métalliques.
- Nettoyez fréquemment la hotte et les filtres de ventilation surplombant la cuisinière ou table de cuisson afin d'empêcher toute accumulation de graisse provenant des vapeurs de cuisson. Le filtre peut être nettoyé dans un lave-vaisselle ou un dishdrawer. Respectez le mode d'emploi du fabricant du produit de ventilation en ce qui a trait au nettoyage.
- ÉTEIGNEZ le ventilateur en cas d'incendie ou si vous flambez intentionnellement des liqueurs ou des spiritueux sur la table de cuisson. Si le ventilateur est en marche, il pourrait en effet répandre les flammes.
- ÉVITEZ de bloquer la circulation de l'air de combustion ou de ventilation. Assurez toujours un apport d'air frais.
- Pour des raisons de sécurité et pour ne pas endommager l'appareil, évitez de vous asseoir, de vous tenir debout ou de vous appuyer contre la surface de cuisson.
- Les réparations doivent être effectuées par des techniciens agréés uniquement. Ceux-ci doivent débrancher le bloc d'alimentation avant de travailler sur l'appareil.



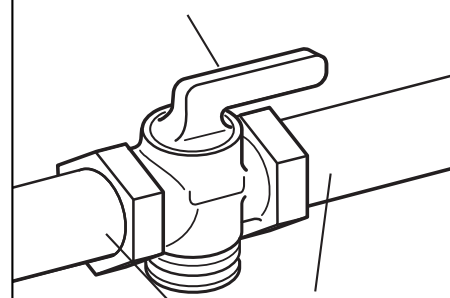
## AVERTISSEMENT!

Proposition 65 de la Californie - L'incinération de gaz de cuisson génère des sous-produits considérés par l'État de Californie comme pouvant causer le cancer ou des malformations congénitales. Les lois de Californie exigent que les entreprises avertissent leurs clients qu'ils risquent d'être exposés à de telles substances. Pour minimiser l'exposition à ces substances, faites toujours fonctionner l'appareil conformément aux instructions contenues dans ce manuel et assurez une bonne ventilation lorsque vous cuisinez au gaz.

## EXIGENCES CONCERNANT LE BRANCHEMENT DU GAZ

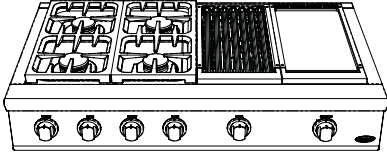
- Toutes les connexions d'alimentation en gaz doivent être effectuées par un technicien qualifié conformément aux codes et règlements en vigueur. En l'absence d'une réglementation locale, l'installation doit être conforme à la dernière édition du National Fuel Gas Code ANSI Z223.1. (mise en garde : dans les limites de l'État du Massachusetts, cet appareil doit être installé par un monteur d'installation au gaz ou plombier autorisé).
- Un robinet d'arrêt manuel (fourni par l'installateur) doit être installé dans un endroit accessible de la canalisation externe de l'appareil pour pouvoir ouvrir ou couper l'alimentation en gaz à l'appareil (au Massachusetts, de tels dispositifs doivent être approuvés par le Board of State Examiners of Plumbers & Gas Fitters). Le robinet d'arrêt doit être situé à moins de 6 pieds (1,8 mètres) de l'appareil qu'il sert.
- Avant de brancher l'appareil, prenez soin de couper le gaz par le robinet d'arrêt.
- La vérification des fuites doit être effectuée conformément aux instructions du fabricant. Voir la section 'Essai et réglages' pour les instructions.

**ROBINET D'ARRÊT (FOURNI  
PAR L'INSTALLATEUR) EN  
POSITION 'OUVERT'**

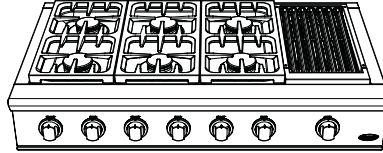


**TUYAU D'ALIMENTATION EN GAZ**

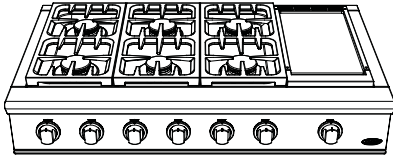
## MODÈLES DE TABLES DE CUISSON CPU 48 PO



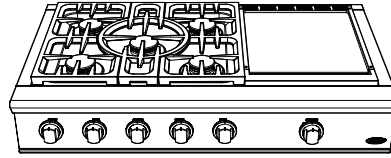
CPU-484GG



CPU-486GL

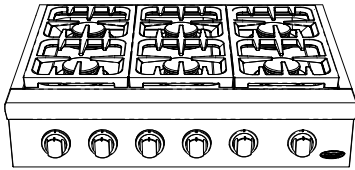


CPU-486GD

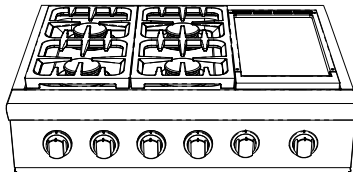


CPU-485GD

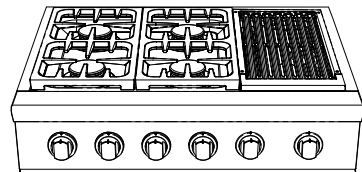
## MODÈLES DE TABLES DE CUISSON CPU 36 PO



CPU-366



CPU-364GD



CPU-364GL

# PLANIFICATION DE L'INSTALLATION

## INFORMATIONS IMPORTANTES CONCERNANT L'INSTALLATION

Vous devez installer l'un des deux dossierets muraux disponibles si le dégagement entre les matériaux combustibles et le bord arrière de la table de cuisson est inférieur à 30,5 cm (12 po) - voir la section 'Installation du dossieret'.

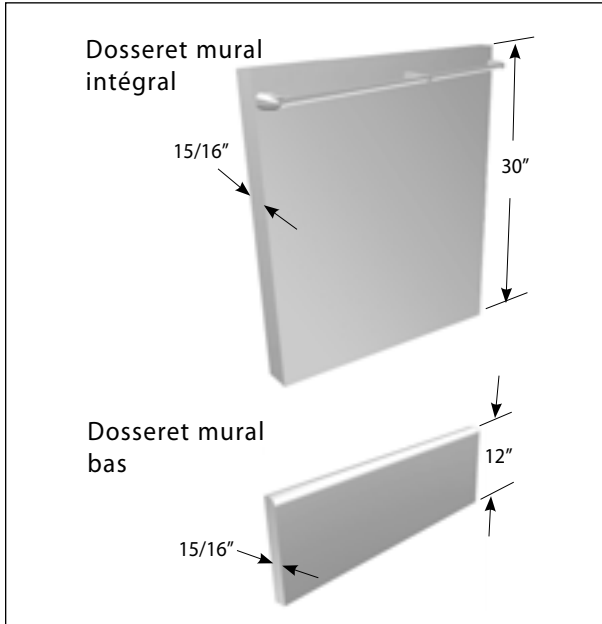


FIG. 1

	NUMÉRO DE MODÈLE	
	DOSSERET BAS	DOSSERET INTÉGRAL
Table de cuisson 48 po	BGCU-1248	BGCU-3048
Table de cuisson 36 po	BGCU-1236	BGCU-3036

## L'ORDRE DE L'INSTALLATION RECOMMANDÉE

Installez les composants dans l'ordre suivant :

- A. Hotte à évacuation
- B. Dossieret (vendu séparément)
- C. Table de cuisson

1. Positionnez la table de cuisson conformément aux instructions d'installation.
2. Mesurez la distance entre la surface du comptoir et le haut de la garniture de la table de cuisson en ajoutant 6,5 mm (1/4 po) de dégagement pour le dossieret.
3. Reportez cette mesure au mur. Ceci indique le bas du dossieret.
4. Mesurez sur le mur, à partir de cette ligne, 75,6 cm (29-3/4 po) dans le sens de la hauteur pour indiquer la limite supérieure du dossieret de 30 po. Ceci constitue la hauteur minimum à laquelle le bas de la hotte de ventilation peut être installé.
5. Suivez les instructions du fabricant de la hotte pour installer celle-ci.
6. Suivez les instructions du fabricant du dossieret pour installer celui-ci.
7. Effectuez les connexions à gaz et électriques, puis glissez la table de cuisson à sa place.

### **REMARQUE :**

*Une valve manuelle d'alimentation en gaz doit être installée. Voir la section 'Branchement du gaz'.*

## MISE EN GARDE :

Utilisez un équipement approprié et un nombre de personnes suffisant pour déplacer la table de cuisson afin d'éviter d'endommager l'appareil ou de blesser quelqu'un.

## DÉPLACEMENT ET PLACEMENT DE LA TABLE DE CUISSON

Le poids à l'expédition des tables de cuisson varie de 103 kg (228 lb; modèles 36 po) à 145 kg (36 lb; modèles 48 po) environ. Une fois le matériel d'emballage retiré, il est recommandé d'enlever les grilles et le ramasse-gouttes (certains modèles uniquement) afin de faciliter la manipulation de l'appareil. Cela réduira son poids d'environ 68 kg (150 lb).

- ÉVITEZ DE RETIRER LE GRIL OU LES ENSEMBLES DE PLAQUE CHAUFFANTE.

Il peut s'avérer nécessaire de retirer les boutons de la table de cuisson pour passer par certaines portes du bâtiment. Une fois les boutons enlevés, l'appareil peut passer par une ouverture de 72 cm (29-3/8 po). Retirez le carton extérieur et le matériel d'emballage de la base de transport. La table de cuisson est retenue sur la plateforme par quatre sangles. Une fois les sangles retirées, soulevez la table de cuisson et dégagez-la de la plateforme.

- La table de cuisson professionnelle doit être transportée jusqu'à son emplacement final. Effectuez les branchements électriques et à gaz et installez le dossier avant de placer la table de cuisson sur son emplacement final.

## ANCRAGE DE LA TABLE DE CUISSON

- Il n'est pas nécessaire d'ancrer l'appareil sur le comptoir en raison du poids de la table de cuisson.

## 30 EXIGENCES EN MATIÈRE DE VENTILATION

US  
CA  
(FR)

**Vous devez installer une hotte à évacuation appropriée au-dessus de la table de cuisson.** Le tableau suivant indique la capacité minimum du ventilateur recommandée pour aérer la hotte.

APPAREIL DE VENTILATION	RECOMMANDATIONS CONCERNANT L'INSTALLATION D'UN COMPTOIR STANDARD	RECOMMANDATIONS CONCERNANT L'INSTALLATION EN ÎLOT
HOTTE	(prof. 61 cm/24 po x larg. de l'appareil)	(prof. 76 cm/30 po x 91 cm/36 po au bas)
VENTILATEUR	<b>Table de cuisson 48 po</b> 1200 PI3/MIN	1200 PI3/MIN
	<b>*Table de cuisson 48 po</b> 600-1200 PI3/MIN	600-1200 PI3/MIN

\* Dans le cas de l'installation d'une table de cuisson dotée d'un gril, un appareil de ventilation d'une capacité de 1200 pi3/m est requis.

### MISE EN GARDE :

Les hottes et les ventilateurs sont conçus pour être utilisés avec des conduits à paroi simple. Il se peut toutefois que certains codes du bâtiment ou inspecteurs locaux exigent des parois doubles et/ou un registre. Consultez les codes du bâtiment ou organismes locaux avant de commencer, afin de vous assurer que l'installation de la hotte et des conduits est conforme aux normes en vigueur.

La vitesse du ventilateur de la hotte doit être variable afin de permettre de réduire le niveau de bruit ainsi que la perte d'air chauffé ou conditionné lorsqu'une ventilation maximum n'est pas requise. La vitesse maximum du ventilateur n'est normalement requise que lorsqu'on utilise le gril.

Pour évacuer la fumée de façon optimale, le bord inférieur de la hotte doit être installé à un minimum de 76 cm (30 po) et un maximum de 91,5 cm (36 po) au-dessus de la surface de cuisson de la cuisinière, voir la section 'Préparation des armoires'. Si la hotte contient des matériaux combustibles (un revêtement en bois par ex.), placez-la à au moins 91,5 cm (36 po) au-dessus de la surface de cuisson.

Il est recommandé d'assurer une source d'air frais à cause du volume élevé d'air de ventilation. Ceci est particulièrement important pour les résidences très isolées. Consultez un spécialiste en chauffage et aération réputé.



1. Afin d'assurer un résultat professionnel, les ouvertures de l'armoire et du comptoir doivent être préparées par un ébéniste qualifié. Nous vous recommandons de disposer de la table de cuisson avant de découper l'ouverture afin de vous assurer de manière plus précise de l'exactitude des dimensions.
2. Les dégagements indiqués à la fig. 6, sont obligatoires pour tous les types de dosserets.
3. Le comptoir doit être suffisamment solide pour supporter le poids de la table de cuisson. Installez une plate-forme ou une autre sorte de support sur laquelle vous poserez la table de cuisson.

## REMARQUE :

*Une découpe est requise pour l'admission d'alimentation en gaz et électrique.*

4. La table de cuisson peut être placée de diverses façons, son devant affleurant ou dépassant le comptoir, selon la profondeur de celui-ci.
5. Établissez la ligne médiane de l'emplacement voulu de la table de cuisson. Elle doit correspondre au centre de la hotte de ventilation au-dessus de l'appareil.

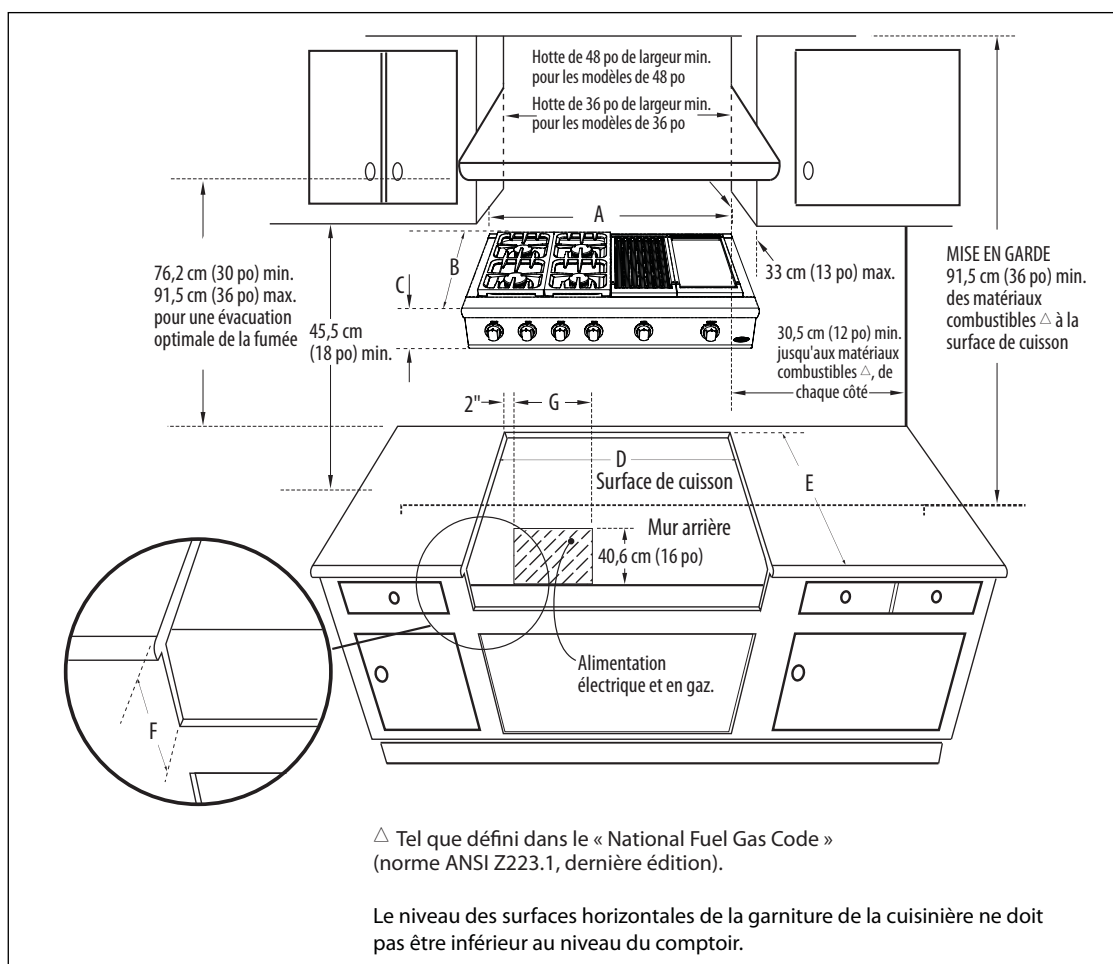


Fig. 2

	A	B	C	D	E	F	G
Modèles CPU-48	121,6 cm	71,1 cm	21,1 cm	121,9 cm	62,2 cm ou 68,6 cm*	20,3 cm	43,2 cm
Modèles CPU-36	91,1 cm	71,1 cm	21,1 cm	91,4 cm	62,2 cm ou 68,6 cm*	20,3 cm	17,8 cm

\*62,2 cm si installé avec panneau de contrôle dépassant, 68,6 cm si installé avec panneau de contrôle affleurant.

6. Découpez les ouvertures pour l'installation suivante :

- Installation standard du comptoir, voir fig. 6A
- Installation d'un comptoir profond ou d'un îlot, voir fig. 6B

**REMARQUE :**

*Les côtés ou la partie inférieure de la ouverture peuvent être constitués de matériaux pleins combustibles ou non-combustibles. Si la partie inférieure est pleine, prévoyez une découpe de 15 x 15 cm (6 x 6 po) dans le coin arrière gauche pour l'admission de gaz et le cordon d'alimentation. Voir fig. 4.*

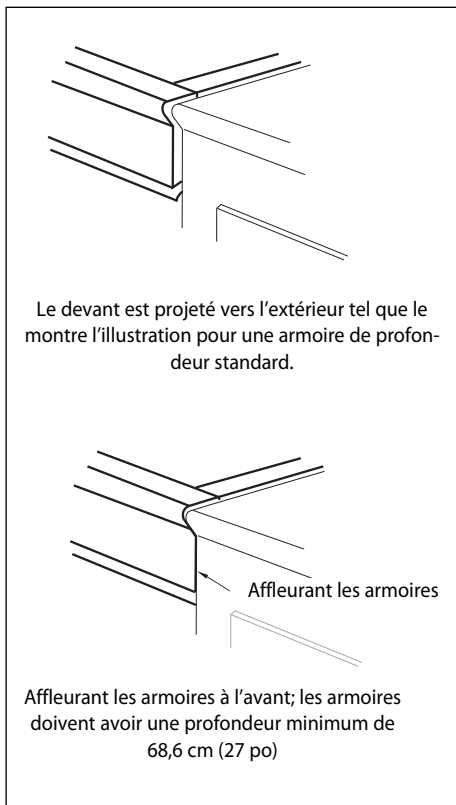


Fig. 3

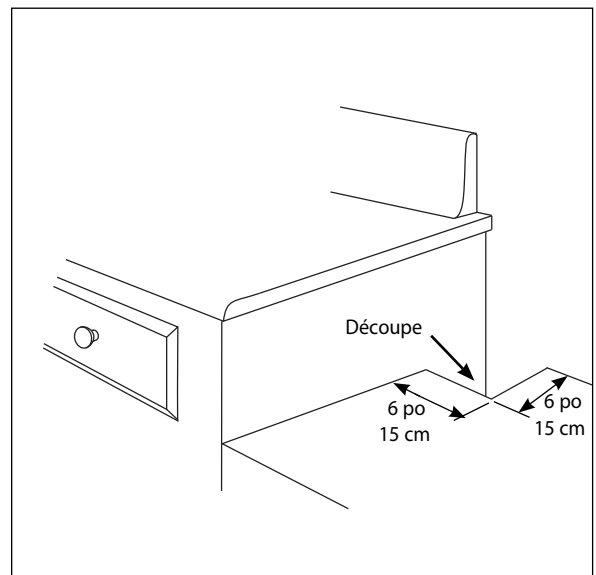


Fig. 4

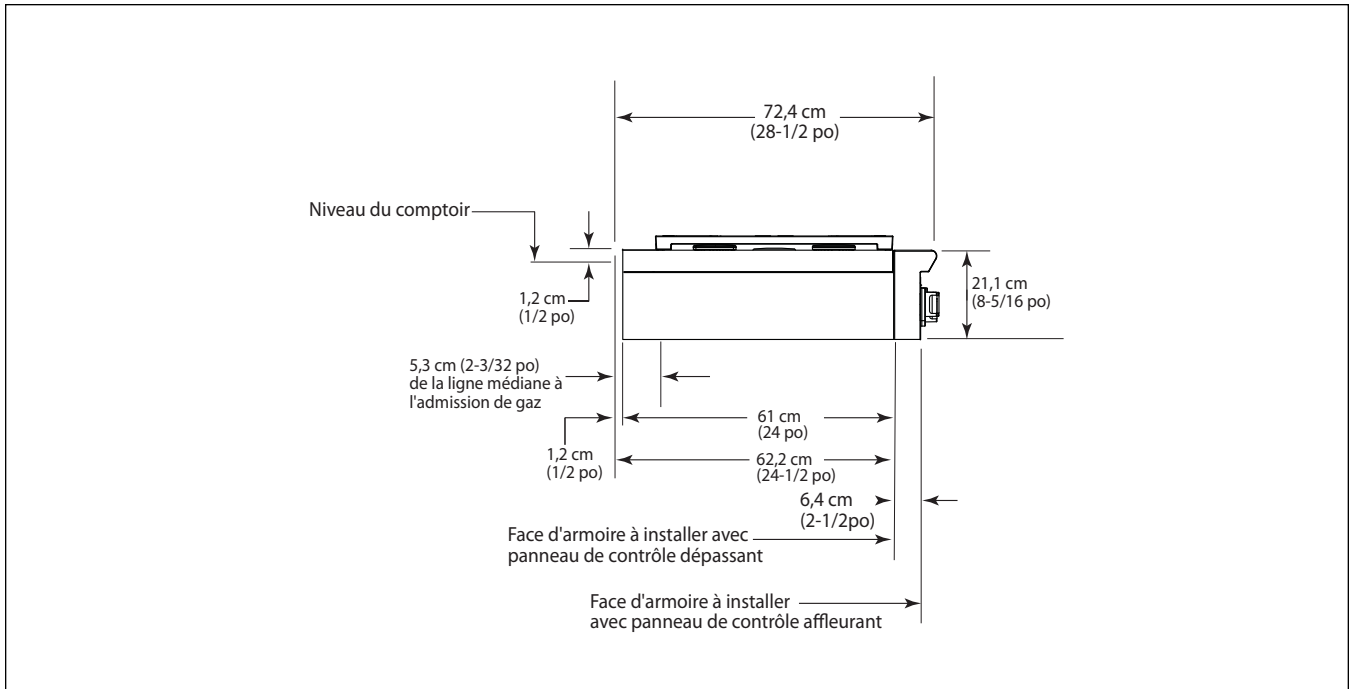


Fig. 5

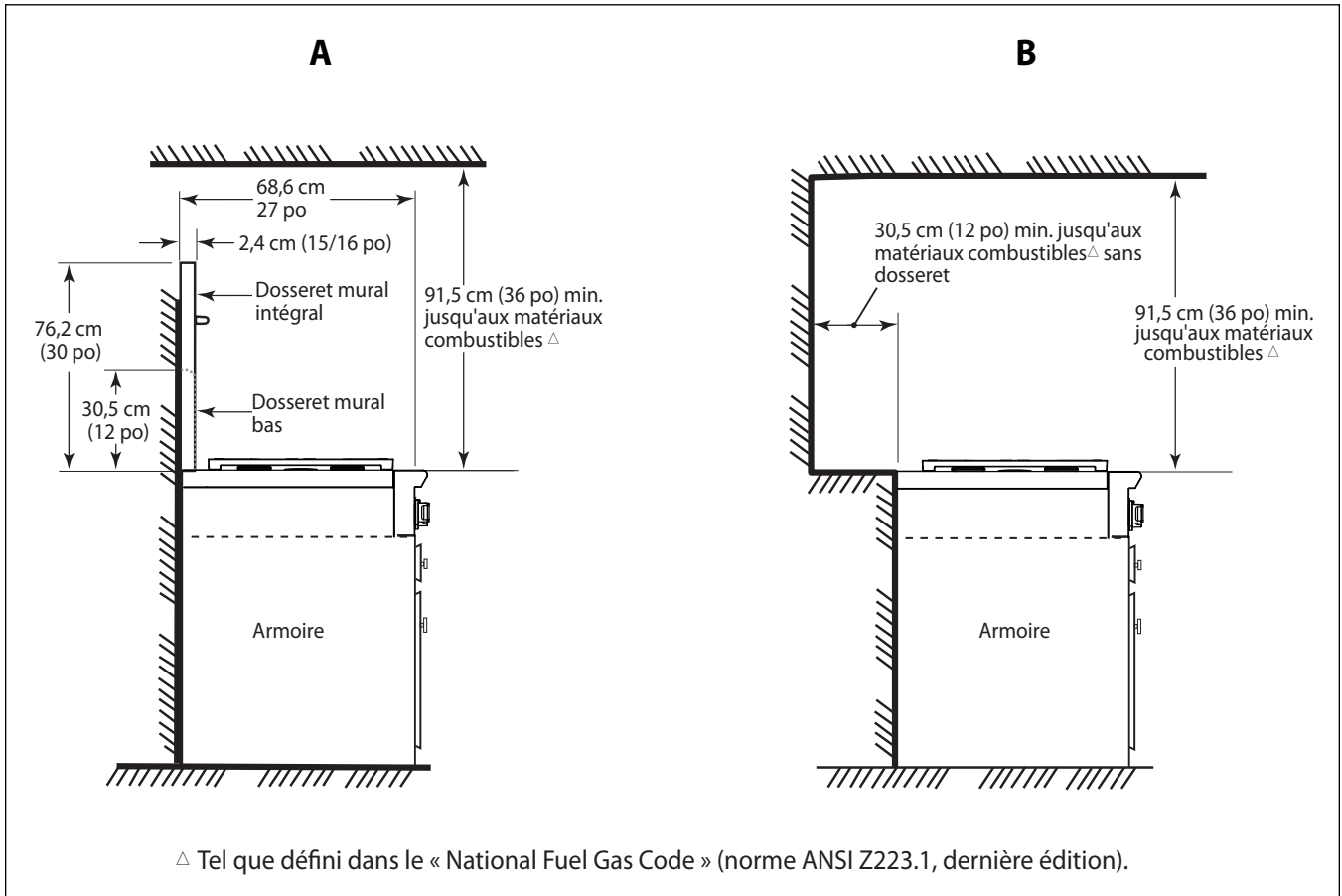


Fig. 6

Placez le dossier tel qu'indiqué à la fig. 7. Fixez-le au mur, derrière la table de cuisson. Chaque dossieret (intégral ou bas) est fourni avec ses instructions d'installation. Voir aussi, section de « Planification de l'installation ». Le dossieret doit être installé lorsque le dégagement entre les matériaux combustibles et l'arrière de la table de cuisson (au-dessus de la surface de cuisson) est inférieur à 30,5 cm (12 po). Voir fig. 6.

Les dossierets DCS sont vendus séparément.

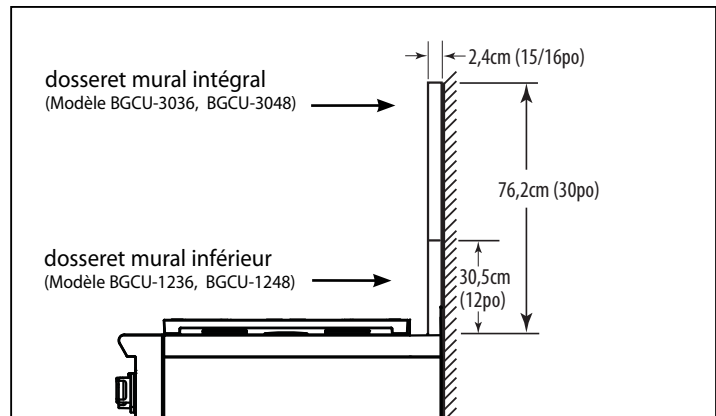
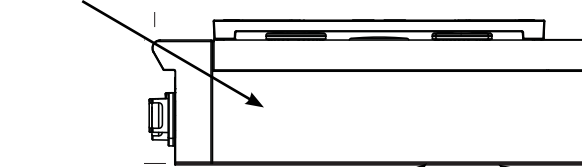


Fig. 7

## CONNEXIONS ÉLECTRIQUES

L'étiquette signalétique est située sur le côté droit de l'appareil, vers le devant.



Les schémas de câblage sont aussi inclus dans le résumé de réparation, attaché sur le fond de l'appareil.

Une étiquette du schéma de câblage est attaché sur le fond de l'appareil.

### CONNEXIONS ÉLECTRIQUES

#### Besoins en alimentation de la cuisinière :

- 120 V c.a., 60 Hz, courant monophasé
- CU-48 : 15 A max. (utilisez un circuit de 15 A)
- CU-36: 15 A max. (utilisez un circuit de 15 A)

Débranchez toujours le cordon d'alimentation électrique de la prise murale ou coupez le courant avant de manipuler l'appareil. Respectez tous les codes et réglementations en vigueur concernant la mise à la terre. S'il n'y a pas, respectez la norme ANSI/NFPA No. 70 du National Electrical Code (Code national de l'électricité).

#### MÉTHODE DE MISE À LA TERRE REQUISE

Cet appareil est équipé d'un cordon d'alimentation à fiche bipolaire avec terre dotée de lames parallèles polarisées. La fiche doit être branchée dans une prise avec mise à la terre correspondante connectée à un circuit correctement polarisé de 120 V. Si le circuit ne possède pas ce genre de prise, l'installateur ou l'utilisateur a la responsabilité et le devoir de faire remplacer, par un technicien qualifié, la prise existante par une prise polarisée correctement mise à la terre conformément aux codes et réglementations en vigueur. En l'absence de tels codes et réglementations, le remplacement de la prise doit être effectué conformément au National Electrical Code (Code national de l'électricité).

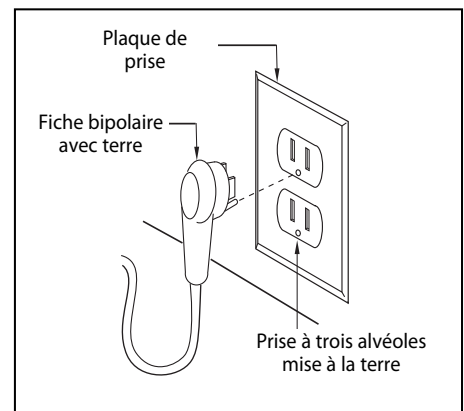


Fig. 8

#### Remarque:

*La troisième broche de terre ne doit EN AUCUN CAS être coupée ou enlevée.*

## EXIGENCES CONCERNANT LE GAZ

Vérifiez le type de gaz alimentant le site. La table de cuisson est réglée en usine pour fonctionner au gaz naturel ou propane selon le modèle spécifique commandé. **Avant d'aller plus loin, vérifiez que La table de cuisson est compatible avec l'alimentation en gaz du site où elle doit être installée.** Renvoyez La table de cuisson au distributeur si elle n'est pas réglée pour fonctionner avec l'alimentation en gaz du site.

## GAZ NATUREL

- Connexion : 1/2 NPT avec conduite flexible de 5/8 po de diamètre minimum.
- Pression d'alimentation : 6 ~ 9 po C.E.

## LP GAS

- Connexion : Conduite flexible de 1/2 po NPT de 5/8 po diam. minimum.
- Pression d'alimentation: entre 11 ~ 14 po C.E.

*Un régulateur est requis à la source d'alimentation en gaz propane afin d'assurer une pression de 14 po C.E. maximum au régulateur de La table de cuisson.*

## BRANCHEMENT DU GAZ

La vérification des fuites doit être effectuée conformément aux instructions du fabricant. Voir la section 'Essai et réglages' pour les instructions.

Un robinet manuel doit être installé à l'extérieur de l'appareil, sur le devant, dans un endroit accessible, afin de permettre de couper le gaz (Fig. 9). Avant de brancher l'appareil, prenez soin de couper le gaz par le robinet mural. Toutes les connexions d'alimentation en gaz doivent être effectuées par un technicien qualifié conformément aux codes et règlements en vigueur. En l'absence de codes locaux, l'installation doit être conforme à la norme ANSI Z223.1, dernière édition, du National Fuel Gas Code.

Pour préparer l'appareil pour qu'il puisse être connecté à l'alimentation en gaz, enfitez le manchon de 1/2 po dans le coude à l'extrémité du collecteur. Le coude est situé à l'intérieur du châssis de l'appareil, à l'extrémité du collecteur, tourné vers le bas. Voir fig. 10. Il est accessible à travers la découpe carrée, dans le coin arrière gauche du fond du châssis. Connectez la sortie du régulateur à l'extrémité exposée du manchon, et connectez la conduite flexible de l'alimentation en gaz à la section d'arrivée du régulateur.

### Remarque:

*Le cachet de tuyau doit être utilisé sur tous fils de tuyau.*

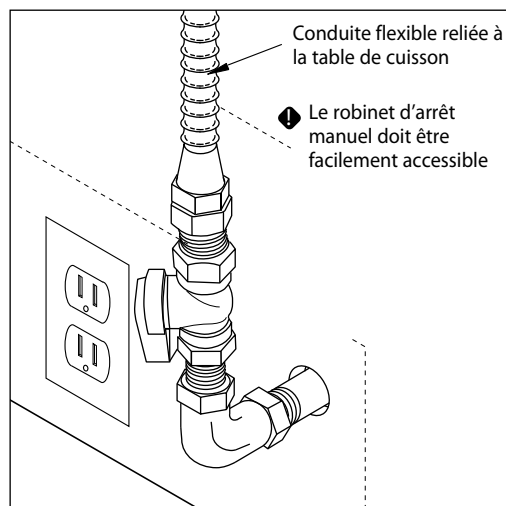


Fig. 9

**MISE EN GARDE :**

- L'appareil doit être isolé du système d'alimentation en gaz en fermant son robinet d'arrêt durant les tests de pression si la pression est inférieure ou égale à 3,5 kPa (1/2 psi).
- L'appareil et son robinet d'arrêt doivent être déconnectés du système d'alimentation en gaz durant les tests de pression lorsque la pression est supérieure à 3,5 kPa (1/2 psi).
- Lors de la vérification de la pression de gaz du distributeur, la pression d'arrivée du régulateur doit être d'au moins 7,0 po C.E. pour du gaz naturel ou 12 po pour du gaz propane.

**REMARQUE :**

Assurez-vous que la flèche du régulateur, qui indique le sens du débit du gaz, pointe vers l'appareil. La conduite flexible de l'alimentation en gaz doit être métallique et approuvée par un organisme de certification homologué (AGA, CGA ou UL). N'utilisez jamais de tuyau en caoutchouc ou autre matériau synthétique car la chaleur peut le faire fondre et produire des fuites.

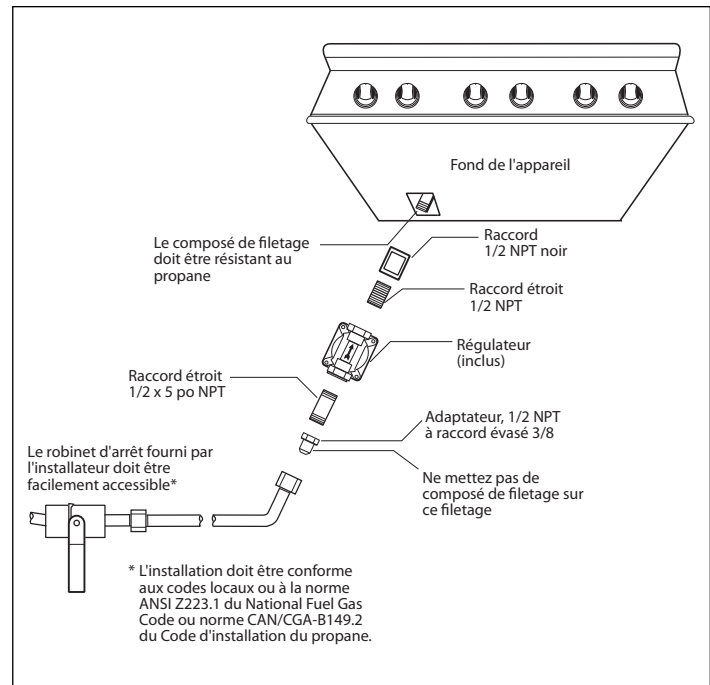


Fig. 10

**ESSAI ET RÉGLAGES****VÉRIFICATION DE L'ABSENCE DE FUITE :**

- Après avoir effectué le dernier raccordement au gaz, ouvrez le robinet de gaz manuel et testez chaque raccord de la tuyauterie d'alimentation en gaz pour vérifier l'absence de fuite de gaz, en utilisant une solution d'eau savonneuse. Lors de cette vérification, tous les robinets de gaz de l'appareil doivent être fermés.
- Pour réduire les risques de dommages matériels ou de blessures corporelles graves, n'utilisez jamais la flamme d'une allumette ou une flamme nue. S'il y a une fuite, serrez le joint ou dévissez-le, appliquez-y de la pâte à joints supplémentaire, resserrez-le et vérifiez à nouveau l'absence de fuite.

**⚠ AVERTISSEMENT :**

Aux fins de la garantie, DCS exige que le réglage des brûleurs soit effectué par un technicien qualifié au moment de l'installation. Faites extrêmement attention quand des réglages sont effectués après l'installation.

**TABLE DE CUISSON BRÛLEURS**

Les brûleurs de la table de cuisson ne sont pas réglables. Un fonctionnement normal est obtenu lorsque les orifices appropriés pour l'alimentation en gaz sont installés en usine, selon le modèle commandé.

Lors de l'installation de la couronne de brûleur, assurez-vous que les deux broches de position au bas de la couronne en laiton sont correctement alignés avec l'encoche de position et les trous centraux sur le dessus de la couronne de mijotage. Un mauvais alignement produira une flamme potentiellement dangereuse et entraînera un mauvais fonctionnement du brûleur.

**Remarque :**

Il n'est pas possible d'effectuer un réglage de l'obturateur d'air sur les brûleurs de la table de cuisson. Les flammes du brûleur doivent être bleues et stables, sans pointe jaune (quelques pointes jaunes sont chose normale pour du gaz propane) ni bruit excessif, et ne doivent pas tirer vers le haut (Fig. 11).

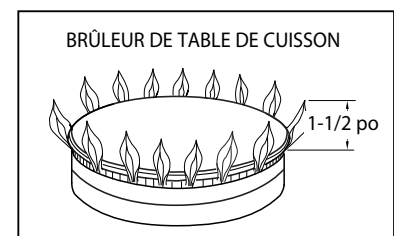


FIG. 11

## REMARQUE CONCERNANT L'ALLUMAGE DU BRÛLEUR DE LA TABLE DE CUISSON

Les brûleurs à tête scellée de la table de cuisson permettent un réglage continu de la flamme et leurs boutons de réglage ne comportent pas de position fixe entre les niveaux HI et LO. Pour allumer le brûleur à tête scellée de la table de cuisson, enfoncez le bouton de réglage et tournez-le vers la gauche à la position LITE. Vous devriez entendre un déclic. Une fois le gaz allumé par l'allumeur électronique, tournez le bouton au réglage voulu.

### Remarque :

L'allumeur continue de cliquer jusqu'à l'apparition d'une flamme. Si le brûleur de la table de cuisson ne se rallume pas, vérifiez l'allumeur en écoutant s'il y a un déclic. Si vous n'entendez pas de déclic, éteignez le brûleur. Vérifiez si un disjoncteur s'est déclenché, si un fusible est grillé ou si la connexion de l'allumeur est mauvaise.

## ⚠ AVERTISSEMENT :

Quand vous allumez un brûleur de table de cuisson, prenez soin de vous arrêter à la position LITE avant de sélectionner un niveau de flamme pour la cuisson. Si le brûleur n'est pas allumé et qu'il est tourné au-delà de la position « LITE », sur HI, MEDIUM ou LO, un éclat de flamme se produit lorsque le brûleur finit par s'allumer. Cela peut causer des blessures ou endommager le comptoir adjacent.

## CETTE SECTION SUR LE RÉGLAGE S'APPLIQUE AUX BRÛLEURS DE LA PLAQUE CHAUFFANTE ET DU GRIL.

Vérifiez que la flamme du brûleur est correcte et ajustez les obturateurs d'air au besoin (fig. 12). Chaque valve et obturateur d'air est testé individuellement et réglé avant l'expédition. Aucun ajustement n'est normalement requis; toutefois, les vibrations en cours de transport, la conversion de gaz ou les variations particulières à chaque système d'alimentation en gaz peuvent nécessiter quelques petits réglages. Les flammes du brûleur doivent être bleues et stables, sans pointe jaune ni bruit excessif, et ne doivent pas tirer vers le haut. Si l'une de ces situations se produit, assurez-vous que l'obturateur d'air ou les ports des brûleurs ne sont pas bouchés. Si le problème persiste, ajustez l'obturateur d'air selon le besoin. Si la flamme est trop jaune, ce qui indique une insuffisance d'air, tournez l'obturateur vers la gauche pour laisser passer davantage d'air. Si la flamme fait du bruit et tend à s'élever au-dessus du brûleur, ce qui indique un excédent d'air, tournez l'obturateur vers la droite pour réduire l'arrivée d'air. La hauteur des flammes de la plaque chauffante doit se situer entre 3,8 et 5 cm (de 1-1/2 à 2 po). Celle des flammes du brûleur du grill doit se situer entre 1 et 1,6 cm (de 3/8 à 5/8 po) (fig. 13).

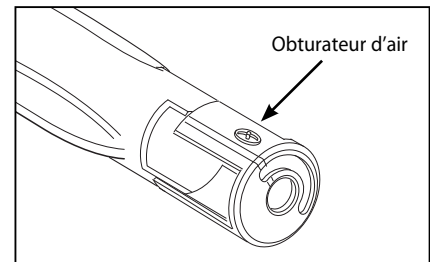


Fig. 12

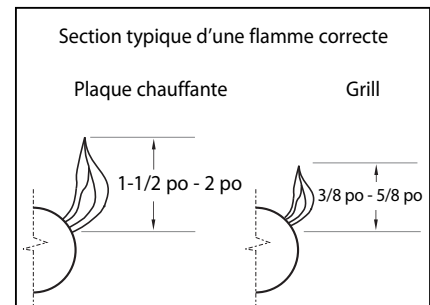


Fig. 13

**GÉNÉRALITÉS**

- Emplacement de l'appareil.
- Dégagement spécifié respecté par rapport aux surfaces d'armoires.
- Appareil de niveau - de l'avant à l'arrière, d'un bord à l'autre.
- Matériel d'emballage et courroies d'attache enlevés, ramasse-gouttes propres et vides.
- Dossieret installé si le dégagement entre les matériaux combustibles et l'arrière de l'appareil, est inférieur à 30,5 cm (12 po).
- Plateau radiant placé dans le gril (le cas échéant). Les deux grilles du gril sont en place.

**ÉLECTRIQUE/CARACTÉRISTIQUES ÉLECTRIQUES**

- Prise avec protection de surintensité de courant de 15 ampères pour brancher le cordon d'alimentation.
- Connexion de mise à la terre adéquate.

**ALIMENTATION EN GAZ**

- Connexion : 1/2 NPT avec conduite flexible de 5/8 po de diamètre minimum. L'alimentation en gaz du site est compatible avec le modèle de l'appareil, et une pression adéquate est assurée (voir la section 'Branchement du gaz').
- Le régulateur de pression connecté au distributeur est réglé sur 5,0 po C.E. pour le gaz naturel ou 10,0 po C.E. pour le gaz propane.
- Robinet d'arrêt manuel installé dans un endroit facile d'accès.
- Appareil testé et exempt de fuites.

**OPÉRATION/FONCTIONNEMENT**

- Tout le matériel d'emballage interne a été enlevé. Vérifiez en dessous de la grille, des cuvettes et des ramasse-gouttes.
- Si l'appareil est utilisé avec du gaz propane, vérifiez que le régulateur de pression, les têtes d'injecteur, les obturateurs d'air et les gicleurs ont été réglés pour une utilisation avec du gaz propane.
- Le compartiment du gril est bien logé et ne balance pas (si l'appareil en est équipé).
- Cadrons centrés sur les boutons des brûleurs et boutons tournant librement.
- Chaque brûleur s'allume correctement, qu'il fonctionne seul ou avec les autres brûleurs fonctionnant en même temps.
- La plaque chauffante est de niveau et ne balance pas (si l'appareil en est équipé).
- Les grilles des brûleurs sont correctement placées, de niveau et ne remuent pas.
- Flamme de la plaque chauffante (voir la section 'Essai et réglages').
- Flamme du gril (voir la section 'Essai et réglages').
- Flamme du brûleur de table de cuisson (voir la section 'Essai et réglages').



## Avant d'appeler pour demander une réparation ou de l'assistance...

Vérifiez les points que vous pouvez contrôler vous-même. Consultez les instructions d'installation et le guide de l'utilisateur pour vous assurer que :

- 1 votre produit est installé correctement.
- 2 vous êtes familier avec son fonctionnement normal.

Si après la vérification de ces points, vous avez toujours besoin d'assistance ou d'une réparation, reportez-vous au document de service et de garantie pour obtenir les détails sur la garantie et les coordonnées d'un Centre de service autorisé ou de l'Assistance à la clientèle, ou contactez-nous par l'entremise de notre site Web, à l'adresse [www.dcsappliances.com](http://www.dcsappliances.com).

## Pour nous contacter

Pour obtenir des pièces de remplacement ou de l'aide au sujet de cet appareil, appelez à ce numéro :

**Sans frais** : 1-888-936-7872

ou écrivez à cette adresse :

**Fisher & Paykel Appliances Inc.**  
5900 Skylab Road  
Huntington Beach, CA 92647  
États-Unis

ou contactez-nous par l'entremise de notre site Web, [www.dcsappliances.com](http://www.dcsappliances.com)





[www.dcsappliances.com](http://www.dcsappliances.com)



Copyright © Fisher & Paykel 2010. All rights reserved.

The product specifications in this booklet apply to the specific products and models described at the date of issue. Under our policy of continuous product improvement, these specifications may change at any time. You should therefore check with your Dealer to ensure this booklet correctly describes the product currently available.

**Droits réservés © Fisher & Paykel 2010.**

Les spécifications du produit contenues dans ce manuel s'appliquent aux modèles et produits spécifiques comme décrits à la date de publication. Dans le cadre de notre politique d'améliorations en permanence de nos produits, ces spécifications pourront être modifiées à tout moment. Nous vous recommandons de vérifier auprès de votre revendeur que ce manuel décrit le produit actuellement disponible.