

# Installation instructions

DishDrawer®

DD24SUT models



US CA

## Important!

### SAVE THESE INSTRUCTIONS

The models shown in this document may not be available in all markets and are subject to change at any time. For current details about model and specification availability in your country, please go to our website [www.dcsappliances.com](http://www.dcsappliances.com) or contact your local DCS Customer Care Representative.

## ① SAFETY AND WARNINGS

### ⚠ WARNING!

#### Electrical hazard

Before installing the DishDrawer®, remove the house fuse or open the circuit breaker.

If permanently connecting the DishDrawer®, be sure the power is isolated and the DishDrawer® unplugged.

#### GROUNDING INSTRUCTIONS

This appliance must be grounded. In the event of a malfunction or breakdown, grounding will reduce the risk of electric shock by providing a path of least resistance for electric current. This appliance is equipped with a cord having an equipment-grounding conductor and a grounding plug. The plug must be plugged into an appropriate outlet that is installed and grounded in accordance with all local codes and ordinances. **WARNING** - Improper connection of the equipment-grounding conductor can result in a risk of electric shock. Check with a qualified electrician or service representative if you are in doubt as to whether the appliance is properly grounded.

If the DishDrawer is installed as a permanently connected appliance:  
**GROUNDING INSTRUCTIONS** - This appliance must be connected to a grounded metal, permanent wiring system, or an equipment-grounding conductor must be run with the circuit conductors and connected to the equipment-grounding terminal or lead on the appliance.

Do not modify the power supply plug provided with the appliance - if it will not fit the outlet, have a proper outlet installed by a qualified electrician. Do not use an extension cord, adapter plug or multiple outlet box.

Failure to follow this advice may result in electrical shock or death.



### ⚠ WARNING!

#### Cut hazard

Take care - panel edges are sharp.

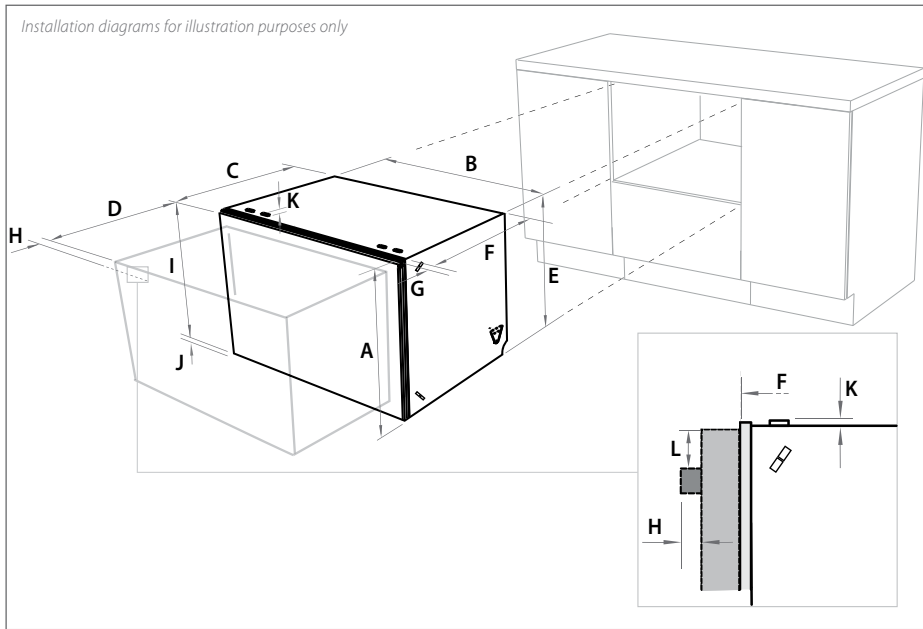
Failure to use caution could result in injury or cuts.



### Important safety instructions!

- Installation of this DishDrawer® requires basic mechanical and electrical skills.
- Be sure to leave these Instructions with the Customer.
- Installation must comply with your local building and electricity regulations.
- At the completion of the DishDrawer® installation, the Installer must perform Final Check List.
- Remove all packaging materials supplied with the DishDrawer®.
- This DishDrawer® is manufactured for indoor use only.
- Ensure all water connections are turned OFF. It is the responsibility of the plumber and electrician to ensure that each installation complies with all Codes and Regulations.
- The DishDrawer® MUST be installed to allow for future removal from the enclosure if service is required.
- The switched power outlet must be outside the DishDrawer® cavity so that it is accessible after installation.
- Care should be taken when the appliance is installed or removed to reduce the likelihood of damage to the power supply cord.
- If the DishDrawer® is to be relocated from one installation to another it must be kept upright to avoid damage from water spillage.
- Make sure only new hoses are used for connection (supplied with DishDrawer®). Old hoses should not be reused.
- Failure to install the DishDrawer® correctly could invalidate any warranty or liability claims.
- If the product is installed in a motor vehicle, boat or similar mobile facility, you must bring the vehicle, boat or mobile facility containing the product to the service shop at your expense or pay the service technician's travel to the location of the product.

## ② PRODUCT DIMENSIONS

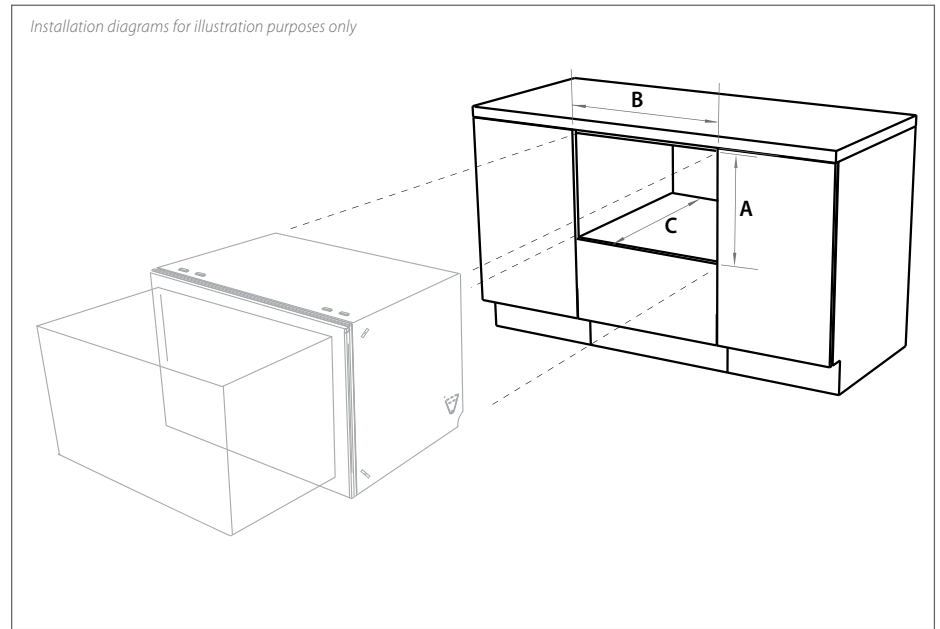


Product dimensions (inches (mm))

	Pre-finished Flat door DD24SUT
A	overall height* of product (incl. drawer front height)
B	overall width of product
C	overall depth of product (excl. handle)
D	depth of drawer (open) (excl. handle)
E	height* of chassis
F	depth of chassis (incl. trimseal)
G	depth of drawer front panel (excl. handle)
H	depth of handle
I	height of drawer front
J	height of venting area at base of product
K	height of installation bracket slots (on top of chassis)
L	height from the top of handle to the top of door

\*Chassis heights include bracket slots

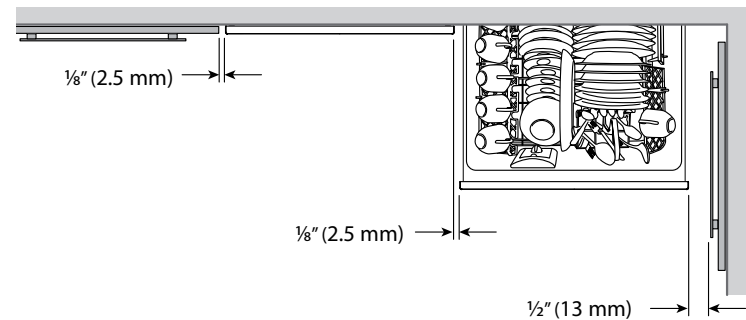
## ③ CABINTRY DIMENSIONS



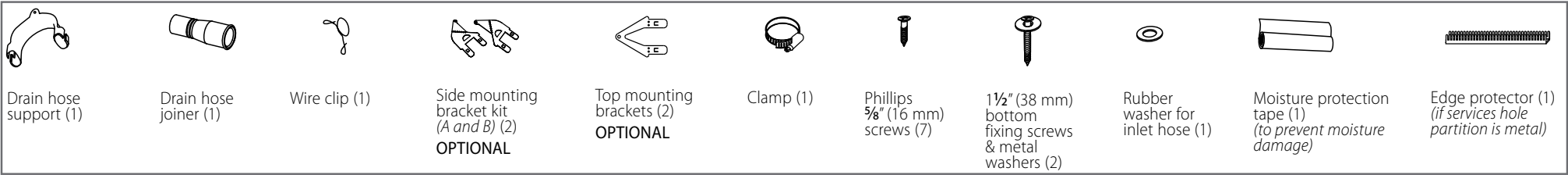
Cabinetry dimensions (inches (mm))

	Pre-finished Flat door DD24SUT
A	inside height of cavity
B	inside width of cavity
C	inside depth of cavity (inside)

Minimum clearances (inches (mm))



## 4 PARTS SUPPLIED



If the Drain hose(s) supplied are not long enough to reach your services, you **must** use a Drain Hose Extension Kit P/N 525798 which will extend the drain hose(s) by 11' 10" (3.6m). The kit is available from the nearest DCS Authorized Service Agent, or Toll free 1.888.936.7872 or [www.dcsappliances.com](http://www.dcsappliances.com).

## 5 CAVITY PREPARATION

### Important!

Be sure the edges of the services hole are smooth or covered. If the services hole is through a metal partition the hole must be protected with the Edge protector supplied to prevent damage to the power cord or hoses.

- These marks indicate formed bracket screw locations.  
Note: To align drawer front to adjacent cabinetry, the product to countertop clearance can be increased to 1/8" (3 mm).
- Preferred position. If adequate clearance, services hole can be higher. If hole is higher, ensure drain hose is routed straight into the waste connection.

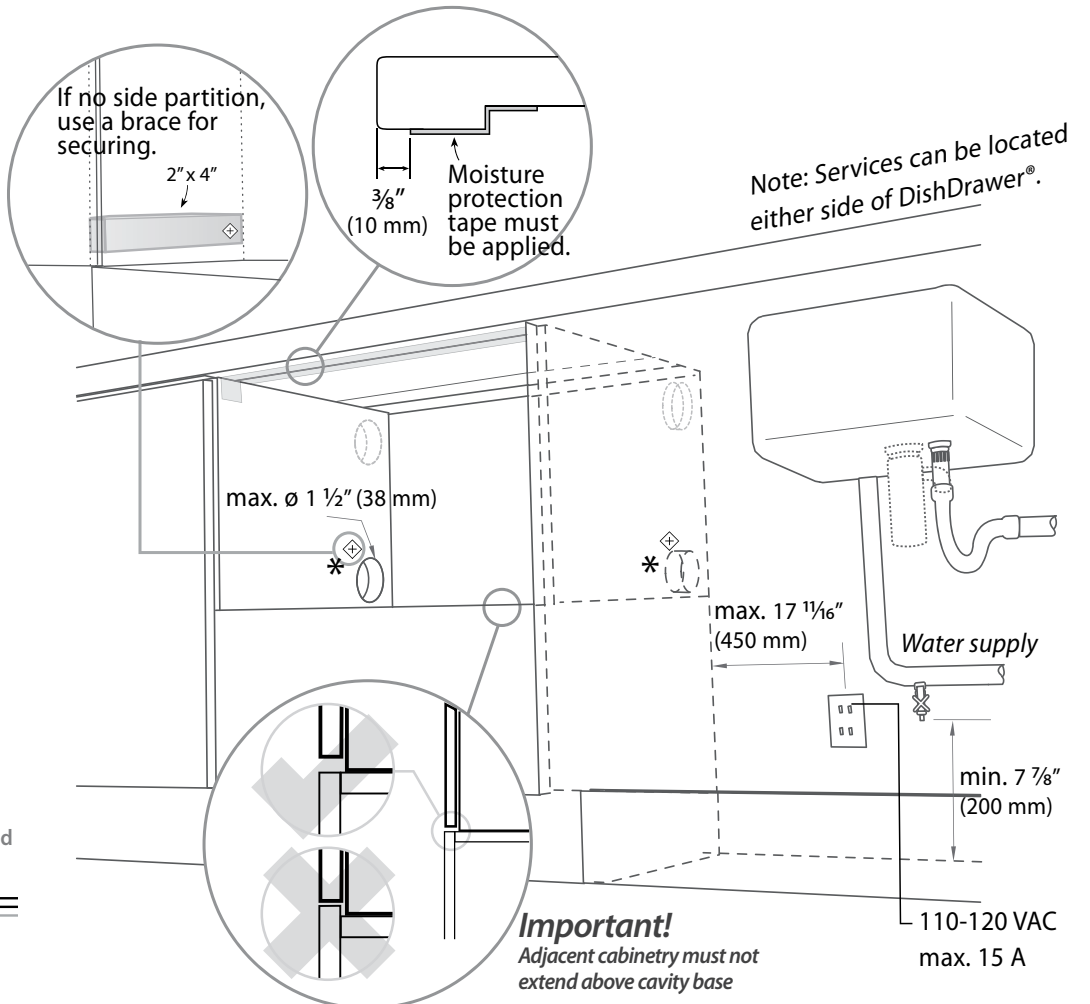
### Water Connection

Recommended **HOT** (Maximum 140°F/60°C).  
Supplied hose to suit 3/8" (9 mm) male compression fitting.

Water Pressure	Max	Min
Water softener models	1 MPa (145 psi)	0.1 MPa (14.5 psi)
Other models	1 MPa (145 psi)	0.03 MPa (4.3 psi)

- Drains will need to be separated to satisfy kosher requirements. We suggest you confirm acceptability with your local rabbi in respect to kosher installations.

Max. distance of hoses and cord from chassis edge	Left hand side	Right hand side
Drain hose	78 1/2" (2000 mm)	70 1/2" (1800 mm)
Inlet hose	64 3/4" (1650 mm)	49" (1250 mm)
Power cord (excl. plug)	29 1/2" (750 mm)	27 1/2" (700 mm)



# 6 OPTIONALLY HARD WIRING THE PRODUCT

**A**

1 3/16" (30 mm)

Access cover

Ensure the drawer is removed and then rotated counter-clockwise to prevent kinked hoses.

**B**

Remove the access cover

Remove Power supply

**C**

Remove knock-out for cable clamp. Fit suitable cable clamp for the conduit and terminate the wiring as shown.

Use copper conductors only.

**D**

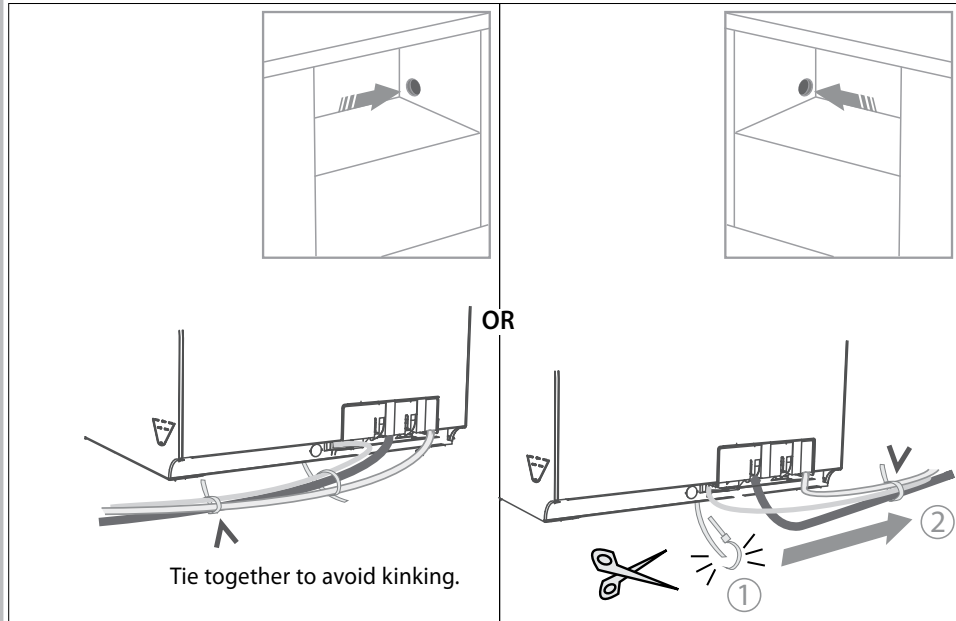
Ensure the drawer clips on both sides are reset.

Ensure the drawer is now rotated clockwise back.

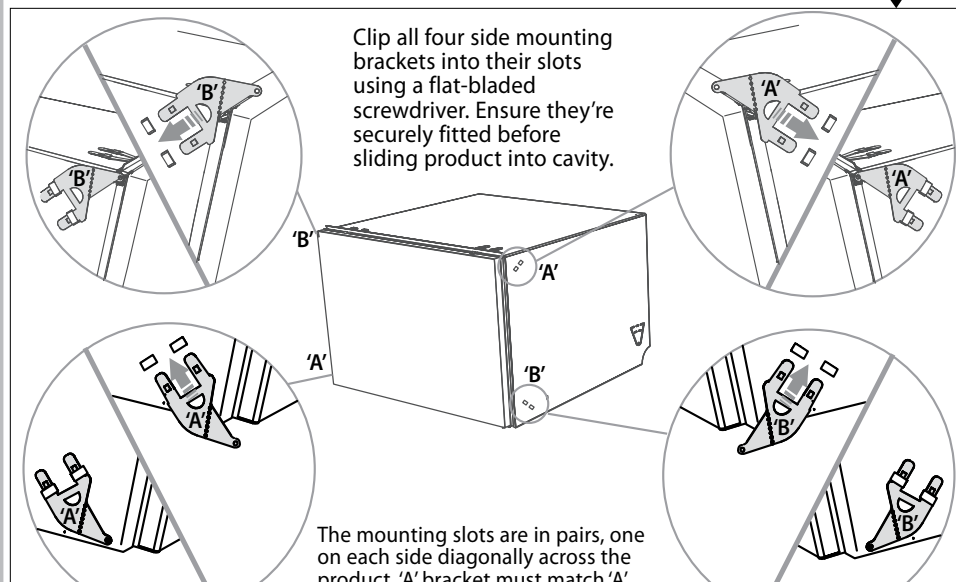
Before refitting the drawer, ensure the hoses are not twisted and the latches at the rear of each drawer runner are facing forward.

**RECOMMENDED METHOD - SECURE WITHOUT  
DRAWER REMOVAL (FRAMELESS CABINETRY ONLY)**

**7 ROUTE THE HOSES**

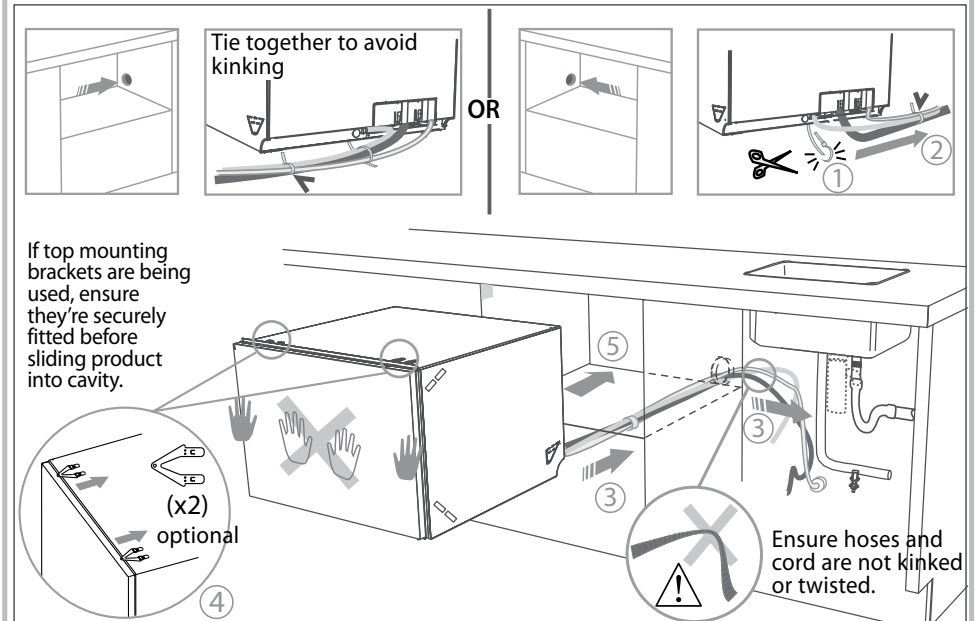


**8 ATTACH SIDE MOUNTING BRACKETS**

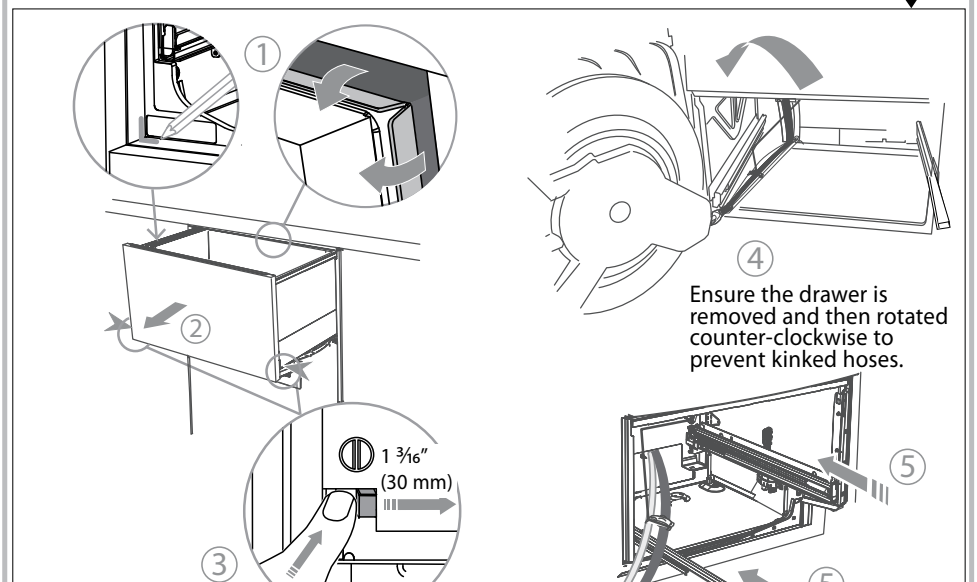


**ALTERNATIVE METHOD -  
SECURE BY DRAWER REMOVAL**

**7 ROUTE THE HOSES AND MOVE INTO CAVITY**

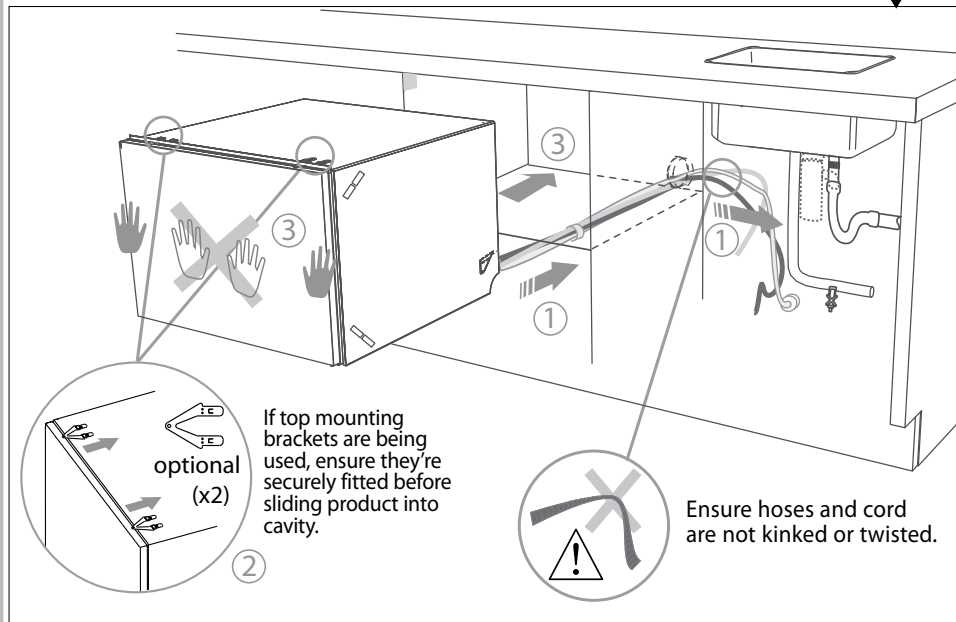


**8 REMOVE DRAWER**

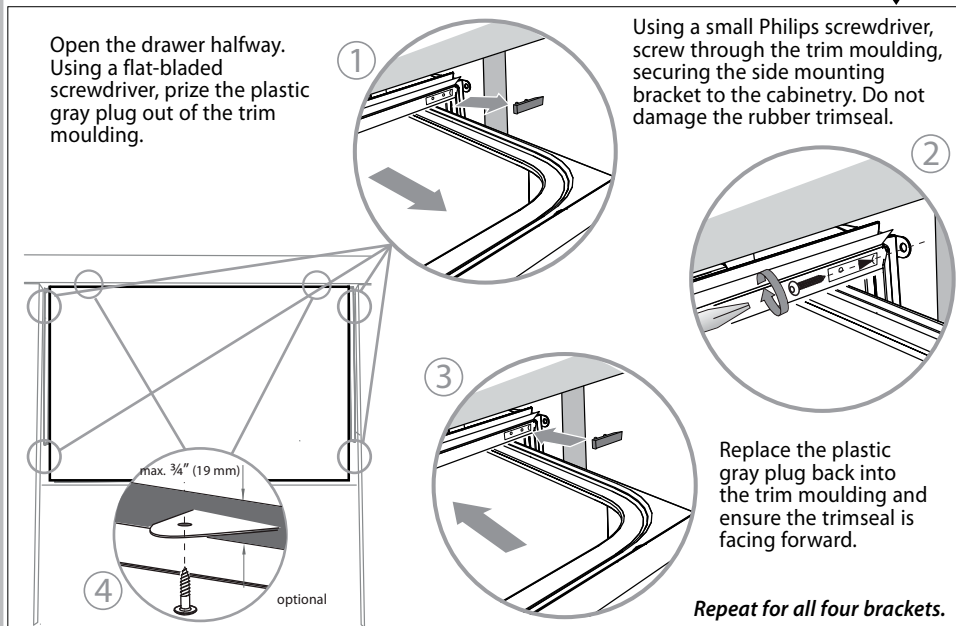


slot and 'B' bracket must match 'B' slot.

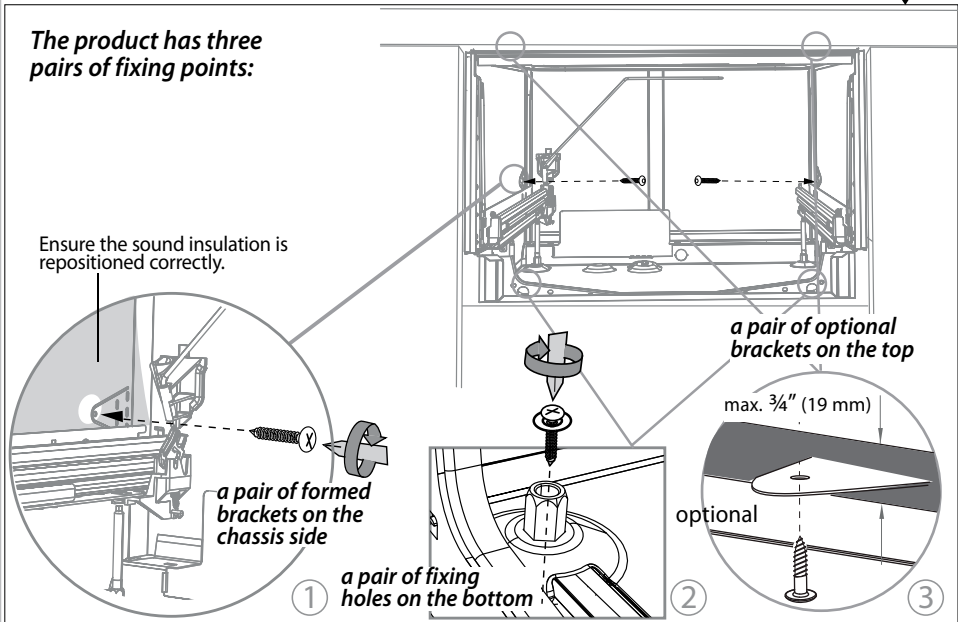
## 9 MOVE INTO THE CAVITY



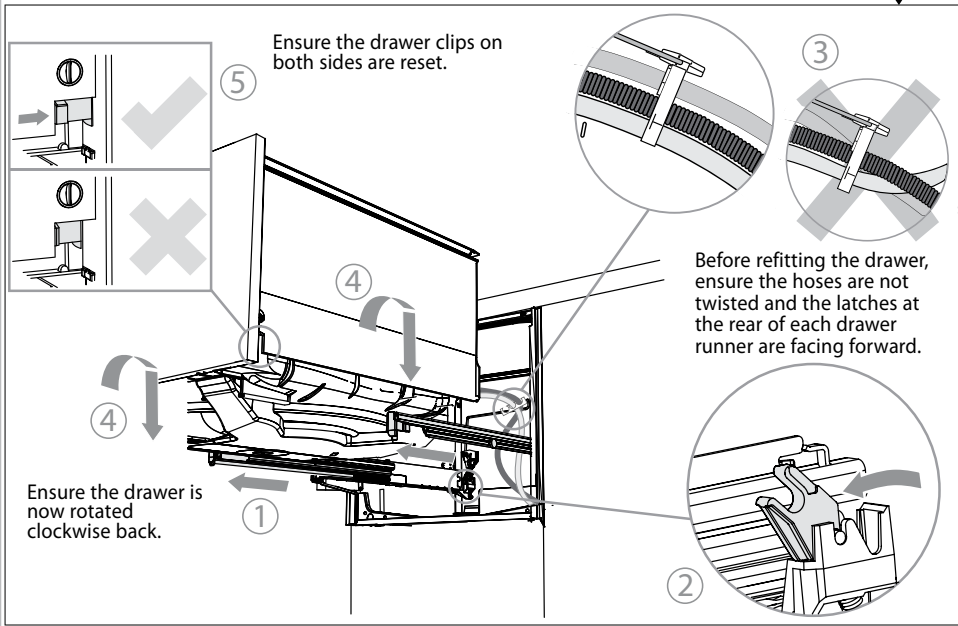
## 10 SECURE THE DRAWER



## 9 SECURE THE DRAWER



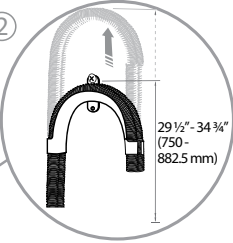
## 10 REFIT THE DRAWER



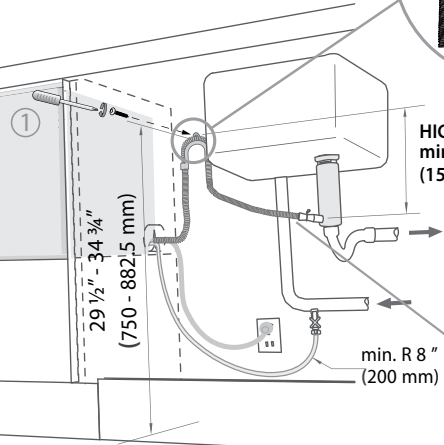
# 11 PLUMBING AND DRAINAGE OPTIONS

## A DishDrawer® with Waste Disposal

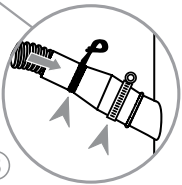
If space is limited for fixing, push hose through drain hose support to required height



**HIGHLOOP**  
min. 6" (150 mm)

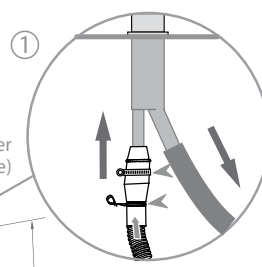


Supplied drain hose joiner (Ø 3/4" (19 mm)) waste tee



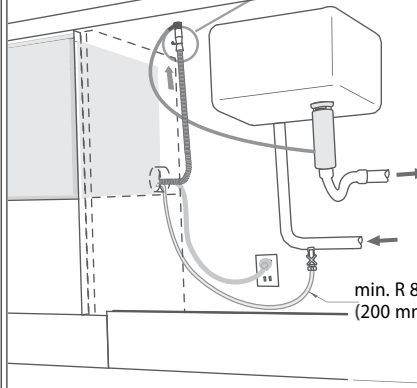
## B DishDrawer® using Air Break with Drain Hose Joiner

Supplied drain hose joiner (Ø 3/4" (19 mm)) waste tee



Air Break

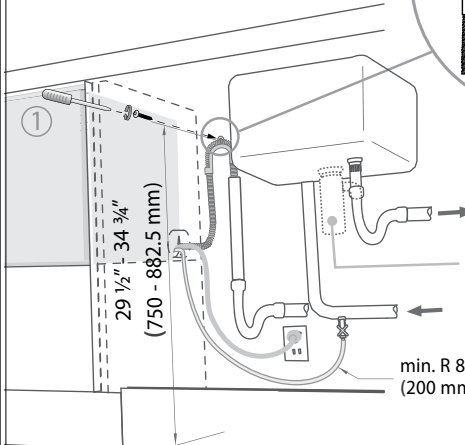
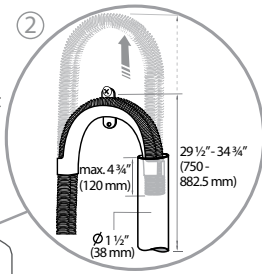
37 3/8" (950 mm)  
Max. height to top of Air Break (countertop or wall mounted)



min. R 8" (200 mm)

## C DishDrawer® and Standpipe Ø 1 1/2" (38 mm)

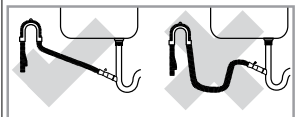
If space is limited for fixing, push hose through drain hose support to required height



Waste Disposal (optional)

min. R 8" (200 mm)

Fit supplied rubber washer

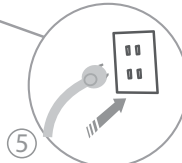


Ensure drain hose is routed straight to joiner. Remove excess drain hose material if necessary. Do not shorten the inlet hose.

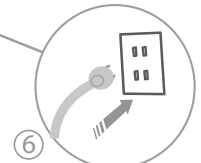
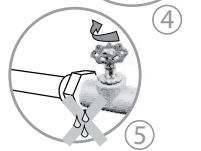
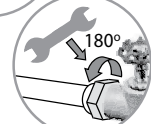
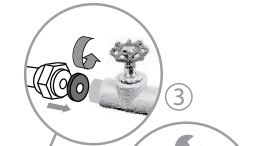


Fit supplied rubber washer

Ensure drain hose is routed straight to joiner. Remove excess drain hose material if necessary. Do not shorten the inlet hose.



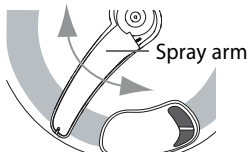
Fit supplied rubber washer



## 12 FINAL CHECKLIST



- Check all parts are installed.
- Ensure product is level, securely fastened to the cabinetry and opens and closes freely. The DishDrawer® must be free to fully close with no resistance from the cabinetry.
- Ensure inlet hose to water supply has rubber washer fitted and is tightened a further half turn after seal contact.
- Ensure any knockouts or plugs in drain connection have been drilled out and drain connection has been made.
- The drain hose joiner must not support the weight of excess hose material. Keep drain hose as fully extended as possible to prevent sagging. Any excess length of drain hose should be kept on the DishDrawer® side of the high loop.
- If using Plumbing and Drainage OPTION A, ensure the Highloop is a minimum 6" (150 mm) higher than the drain hose joiner.
- Turn on the power and water supply. Then press the Power (⏻) button to turn the DishDrawer® on. The DishDrawer® should beep and Wash Program lights light up.
- Check the spray arm is in place and free to rotate.



- Add three cups of water into the DishDrawer®. On the Wash Program Selector Panel press Rinse and close the drawer. Start the program by pressing the Start/Pause (▶||) button.
- After the Rinse program has finished, ensure machine has run and drained correctly.
- Check water supply and drainage connection for leakage.

## 13 TROUBLESHOOTING

- **Excessive water remaining above the filter plate, after the rinse cycle**  
Check for a kinked drain hose or blocked waste connection, high loop not properly installed or drain hose not routed correctly.
- **No water supply**  
Check water is connected, turned on and the spray arm is correctly fitted and free to rotate.
- **No lights come on when the drawer is opened**  
Ensure power is connected and is switched on. Check if Auto Power option is on.
- **Water around water supply and drainage connections**  
Check connections, existing plumbing and hoses for leaks. Check washer and hose clamps are correctly fitted.
- **If product is tipping**  
Ensure the product is secured to the cabinetry.
- **If front panels are misaligned**  
Check and relevel product. Check the cabinetry is square.
- **Drawer doesn't close properly**  
Ensure nothing is obstructing the drawer from closing properly eg sound insulation, hoses or drawer latches.
- If a problem occurs, consult the Troubleshooting section of the User Guide.
- If after checking these points you still need assistance, please refer to the User guide for warranty details and your nearest Authorized Service Center, or contact us through our website, [www.dcsappliances.com](http://www.dcsappliances.com).