



Professional range
RGU, RDU & RGUC models

La cuisinière professionnelle
Modèles RGU, RDU et RGUC

Installation instructions

Guide d'installation

US CA



⚠ WARNING!

To reduce the risk of tipping the appliance, the appliance must be secured by properly installed anti-tip device packed with the appliance.

- ALL RANGES CAN TIP
- INJURY TO PERSONS COULD RESULT
- INSTALL ANTI-TIP DEVICE PACKED WITH RANGE
- SEE INSTALLATION INSTRUCTIONS



⚠ MISE EN GARDE!

Pour réduire le risque de basculer l'appareil, il doit être fixé correctement par le dispositif antibasculement fourni avec l'appareil.

- TOUS LES TYPES DE CUISINIÈRE PEUVENT BASCULER
- CELA PEUT PROVOQUER DES BLESSURES
- INSTALLEZ LE DISPOSITIF ANTIBASCULEMENT FOURNI AVEC LA CUISINIÈRE
- CONSULTEZ LES INSTRUCTIONS D'INSTALLATION

⚠ WARNING!

If the information in this manual is not followed exactly, a fire or explosion may result causing property damage, personal injury or death.

Do not store or use gasoline or other flammable vapors and liquids in the vicinity of this or any other appliance.

NEVER use this appliance as a space heater to heat or warm the room. Doing so may result in carbon monoxide poisoning and overheating of the appliance.

WHAT TO DO IF YOU SMELL GAS

- Do not try to light any appliance.
- Do not touch any electrical switch.
- Do not use any phone in your building.
- Immediately call your gas supplier from a neighbor's phone. Follow the gas supplier's instructions.
- If you cannot reach your gas supplier, call the fire department.

Installation and service must be performed by a qualified installer, service agency or the gas supplier.

⚠ MISE EN GARDE!

Le fait de ne pas suivre toutes les instructions de ce manuel peut provoquer un feu ou une explosion causant des dommages matériels, des blessures ou la mort.

Ne rangez et n'utilisez pas de l'essence ou d'autres liquides et vapeurs inflammables à proximité de cet appareil ou de tout autre appareil.

N'utilisez JAMAIS cet appareil pour chauffer une pièce. Le non-respect de cette consigne peut causer un empoisonnement au monoxyde de carbone et une surchauffe de l'appareil.

QUE FAIRE SI VOUS DÉCELEZ UNE ODEUR DE GAZ

- Ne tentez d'allumer aucun appareil.
- Ne touchez à aucun interrupteur électrique.
- N'utilisez aucun téléphone dans l'édifice.
- Appelez immédiatement votre fournisseur de gaz en utilisant le téléphone d'un voisin. Suivez les consignes du fournisseur de gaz.
- S'il vous est impossible de joindre votre fournisseur de gaz, appelez le service d'incendie.

L'installation et l'entretien doivent être effectués par un installateur ou un technicien qualifié, ou par un employé de votre fournisseur de gaz.

A MESSAGE TO OUR CUSTOMERS

Thank you for selecting this professional Range. Because of this appliance's unique features we have developed this Installation Guide. It contains valuable information on how to properly install your new appliance for years of safe and enjoyable cooking.

For your convenience, product questions can be answered by a DCS Customer Care Representative by phone: 1-888-936-7872, or email: customer.care@fisherpaykel.com.

NOTE: Please write the Model and Serial Numbers on this page for references (located on the label above the kick panel on the right)

MODEL NUMBER _____ SERIAL NUMBER _____

NOTE: Inspect the product to verify that there is no shipping damage. If any damage is detected, call the shipper and initiate a damage claim. DCS by Fisher & Paykel is not responsible for shipping damage.

DO NOT discard any packing material (box, pallet, straps) until the unit has been inspected.

WARNING

Improper installation, adjustment alteration, service or maintenance can cause property damage, injury or death. Read the installation, operating and maintenance instructions thoroughly before using, installing or servicing this appliance.

WARNING

To reduce the risk of injury to persons in the event of a rangetop grease fire, observe the following: Turn burner off first. Smother flames with a close-fitting lid, cookie sheet, metal tray, baking soda or use a dry chemical or foam-type fire extinguisher. Be careful to prevent burns. If the flames do not go out immediately, evacuate and call the fire department. Never pick up a flaming pan - You may be burned. **DO NOT USE WATER ON GREASE FIRES**, including wet dishcloths or towels - a violent steam explosion will result. Use an extinguisher **ONLY** if:

1. You know you have a Class ABC extinguisher, and you already know how to operate it.
2. The fire is small and contained in the area where it started.
3. The fire department is being called.
4. You can fight the fire with your back to an exit.

Important!

Installer: leave this manual with the customer.

Customer: please retain this manual for future reference and for the local inspector's use.

TABLE OF CONTENTS

SAFETY PRACTICES AND PRECAUTIONS	4
MODELS	7
PLANNING THE INSTALLATION	8
UNPACKING AND HANDLING	9
VENTILATION REQUIREMENTS	12
INSTALLING ANTI-TIP DEVICE	13
CABINET PREPARATION	14
BACKGUARD INSTALLATION	19
ELECTRICAL CONNECTIONS	19
GAS HOOK-UP	21
TEST AND ADJUSTMENTS	22
CLEANING EXTERIOR SURFACES	23
INSTALLER FINAL CHECKLIST	24
SERVICE	25

4 SAFETY PRACTICES AND PRECAUTIONS

US
CA

When properly cared for, your new DCS Appliance has been designed to be a safe, reliable cooking appliance. When using this restaurant caliber appliance, use it with extreme care, as this type appliance provides intense heat and can increase the accident potential. Basic safety precautions must be followed when using kitchen appliances, including the following:

- Read the user guide, which came with this appliance, thoroughly before using your new appliance. This will help to reduce the risk of fire, electric shock, or injury to persons.
- Begin by insuring proper installation and servicing. Follow the installation instructions in this manual. Be sure to have a qualified technician install and ground this appliance before using.
- Have the installer show you where the gas supply shut-off valve is located.
- If you smell gas, the installer has not done a proper job of checking for leaks. Shut the gas to the appliance off and follow the instructions on the inside front cover of this manual. Do not attempt to find the leak yourself. This must be done by a qualified service technician only.
- If by some chance a burner goes out and gas escapes, open a window or a door to let the room air out. Do not attempt to use the appliance until the gas has had time to dissipate. Follow the instructions on the inside front cover of this manual.
- This appliance has been factory assembled for natural or LP gas. It should be correctly adjusted from the factory for the type of gas that is used.
- Do not repair or replace any part of this appliance unless it is specifically recommended in this manual. All other servicing should be referred to a qualified technician.
- Children should not be left alone or unattended in an area where appliances are in use. They should never be allowed to turn knobs, push buttons, sit or stand on, and/or touch any part of an appliance while in operation.
- Children in walkers, or children crawling can be attracted to the oven door handle and may grab and open the oven door. This can result in injury from the door being pulled open on a child, or severe burns if the oven is in use and hot.

WARNING:

Do not store items of interest to children above or at the back of any appliance. Children could be seriously injured if they should climb onto the appliance to reach these items.

- Never store anything in the oven or on the cooktop. Flammable materials can catch fire, plastic items may melt or ignite and other types of items could be ruined.
- Do not hang articles from any part of the appliance or place anything against the oven. Some fabrics are quite flammable and may catch on fire.
- If the appliance is near a window be certain the curtains do not blow over or near the cooktop burners; they could catch on fire.
- Do not use water on grease fires. Turn all burners "OFF", then smother fire with baking soda or use a dry chemical or foam-type fire extinguisher.
- Never let clothing, pot holders, or other flammable materials come in contact with, or too close to, any burner or burner grate until it has cooled. Fabric may ignite and result in personal injury.
- Be certain to use only dry pot holders: moist or damp pot holders on hot surfaces may cause burns from steam. Do not use a towel or other bulky cloth in place of pot holders. Do not let pot holders touch hot burners, or burner grates.

SAFETY PRACTICES AND PRECAUTIONS

- For personal safety, wear proper apparel. Loose fitting garments or hanging sleeves should never be worn while using this appliance. Some synthetic fabrics are highly flammable and should not be worn while cooking.
- Do not use aluminum foil to line any part of the oven or cooktop. This will cause heat to be trapped underneath it. This trapped heat can upset the cooking performance and can damage the finish of the oven or the cooktop parts.



WARNING! NEVER cover any slots, holes or passages in the oven bottom or cover an entire rack with materials such as aluminum foil. Doing so blocks airflow through the oven and may cause carbon monoxide poisoning. Aluminum foil linings may also trap heat, causing a fire hazard.

This appliance is for cooking. Never use the oven or cooktop to warm or heat a room. This could damage the cooktop or oven parts.

- When using the cooktop: Do not touch the burner grates or the immediate surrounding area. Areas adjacent to the burners may become hot enough to cause burns.
- When using the oven: Do not touch the interior surfaces of the oven, the exterior area immediately surrounding the door or the back trim. The surfaces directly above the oven door may be hot if the oven has been operated with the door open, or if something has prevented the door from sealing.
- Never leave the cooktop unattended when using high flame settings. When cooking with high flame settings, boilovers may cause smoking and greasy spillovers may ignite. More importantly, if the burner flames are smothered by a severe boilover which affects the igniter, unburned gas will escape into the room.
- Only certain types of glass, heat-proof glass-ceramic, ceramic, earthen ware, or other glazed utensils are suitable for cooktop use. Some utensils may break with sudden temperature changes. Use only on low or medium flames settings according to the manufacturer's directions. The use of professional utensils is recommended.
- Do not heat unopened food containers; a build up of pressure may cause the container to burst.
- During cooking, set the burner control so that the flame heats only the bottom of the pan and does not extend beyond the bottom of the pan. This could heat and/or melt the handles, and may increase cooking time.
- Always use utensils that have flat bottoms large enough to cover the burner. The use of undersized utensils will expose a portion of the flame to direct contact and may result in ignition of clothing.
- To minimize burns, ignition of flammable materials and unintentional spill overs, position handles of utensils inward so they do not extend over adjacent work areas, cooking areas, or the edge of the cooktop.
- Hold the handle of the pan to prevent movement of the utensil when stirring or turning food.
- Grease is flammable. Let hot grease cool before attempting to handle it. Avoid letting grease deposits collect around the cooktop burners. Clean after each use or boil over.
- Do not remove the grease drip-pan from the griddle or grill until completely cool.
- For proper lighting and performance of the cooktop burners, keep the burner ports clean. It may be necessary to clean these when there is a boil over or when the burner does not light, even though the electronic igniters click.
- Do not use the grill for cooking excessively fatty meats or products which promote flare-ups. Do not use cooking utensils on the grill.

6 SAFETY PRACTICES AND PRECAUTIONS

US
CA

- Clean the cooktop with caution. Avoid steam burns; do not use a wet sponge or cloth to clean the cooktop while it is hot. Some cleaners produce noxious fumes if applied to a hot surface. Follow directions provided by the cleaner manufacturer.
- Be sure all the range and/or cooktop controls are turned off and the appliance is cool before using any type of aerosol cleaner on or around the appliance. The chemical that produces the spraying action could, in the presence of heat, ignite or cause metal parts to corrode.
- Place oven racks in desired position while the oven is cool. If a rack must be moved while the oven is hot, do not let the pot holders contact the hot interior of the oven.
- Use care when opening the oven door; let hot air or steam escape before removing or replacing foods.
- Do not rub, damage, move or remove the door gasket. It is essential for a good seal during baking. Wash the gasket with hot water only.
- Clean the ventilator hood and filters above the range or cooktop frequently so grease from cooking vapors does not accumulate on them. The filters can be cleaned in a dishwasher or DishDrawer. Follow directions provided by ventilation manufacturer for cleaning.
- Turn the ventilator "OFF" in case of fire or when intentionally "flaming" liquor or other spirits on the cooktop. The blower, if in operation, could unsafely spread the flames.
- DO NOT obstruct the flow of combustion or ventilation air to the appliance. Be sure a fresh air supply is available.
- For safety reasons and to avoid damage to the appliance never sit, stand, or lean on the oven door or cooking surface.
- Service should only be done by authorized technicians. Technicians must disconnect the power supply before servicing this appliance.

WARNING:

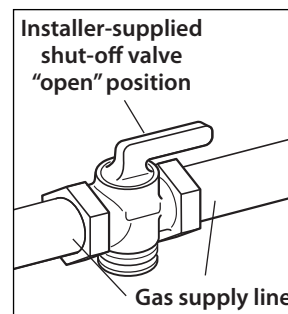
California Proposition 65 - The burning of gas cooking fuel generates some by-products which are known by the State of California to cause cancer or reproductive harm. California law requires businesses to warn customers of potential exposure to such substances. To minimize exposure to these substances, always operate this unit according to the manufacturer's instructions and provide good ventilation to the room when cooking with gas.

REQUIREMENTS FOR HOOK-UP TO GAS SUPPLY

- The gas supply connections should be made by a qualified technician in accordance with local codes or ordinances. In the absence of a local code, the installation must conform to the latest edition of National Fuel Gas Code ANSI Z.223.1 (Warning: this appliance must be installed by a licensed plumber or gas fitter when within the Commonwealth of Massachusetts).
- A manual shut-off valve (supplied by the installer) must be installed in an accessible location in the gas line external to the appliance for the purpose of turning on or shutting off gas to the appliance. (In Massachusetts such shut-off valves should be approved by the Board of State Examiners of Plumbers & Gas Fitters.) The shut-off valve must be located within 6 feet (1.8 metres) of the appliance it serves.

Important!

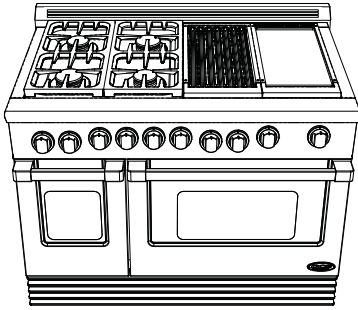
Fisher & Paykel recommends installing the manual shut-off valve in a location readily accessible by the customer, so that gas to the appliance can be shut off in an emergency situation. However, the appliance must not be modified in any way to accommodate such placement.



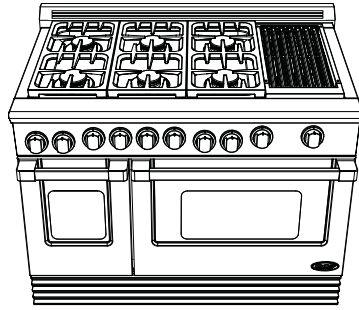
- The gas supply line must not protrude beyond the back of the appliance as this would prevent the product from being pushed completely against the wall.
- Make sure the gas supply is turned off at the wall valve before connecting the appliance.
- Leak-testing of the appliance shall be conducted according to the manufacturer's instructions. See instructions in section 'Test and adjustments'.

MODELS

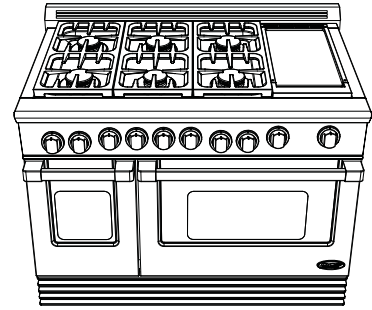
48" models



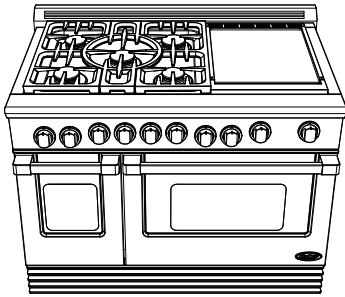
RGU-484GG
RDU-484GG



RGU-486GL
RDU-486GL

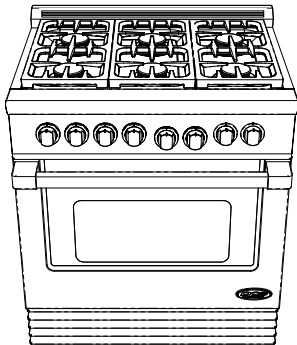


RGU-486GD
RDU-486GD

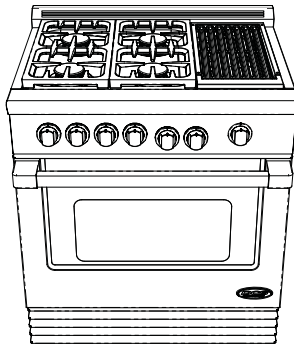


RGU-485GD
RDU-485GD

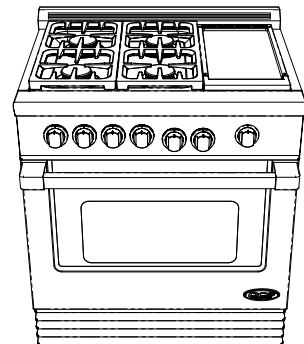
36" models



RGU-366
RDU-366

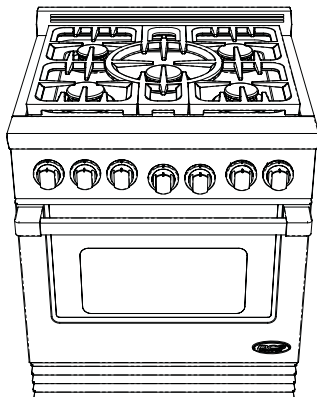


RGU-364GL
RDU-364GL



RGU-364GD
RDU-364GD

30" models



RGU-305
RDU-305
RGUC-305

IMPORTANT INSTALLATION INFORMATION

The range is tested in accordance with ANSI Z21.1 Standard for Household Cooking Gas Appliances.

The range must be installed in conjunction with a suitable overhead vent hood. (See section 'Ventilation Requirements'). Due to the professional high heat capacity of this unit, particular attention should be paid to the hood and duct work installation to ensure it meets local building codes. To eliminate risk of burns or fire by reaching over heated surface units, cabinet storage located above the surface units should be avoided.

All range models with less than a 12" clearance between combustible material and the back edge of the range (above the cooking surface) require the installation of one of the two offered Backguards – see section 'Backguard installation'.

- All ranges have a standard 3-1/2" integral island trim.
- RGU ranges are supplied with a matching BGRU-12xx standard backguard.
- For RDU and RGUC ranges, the backguard has to be purchased separately.

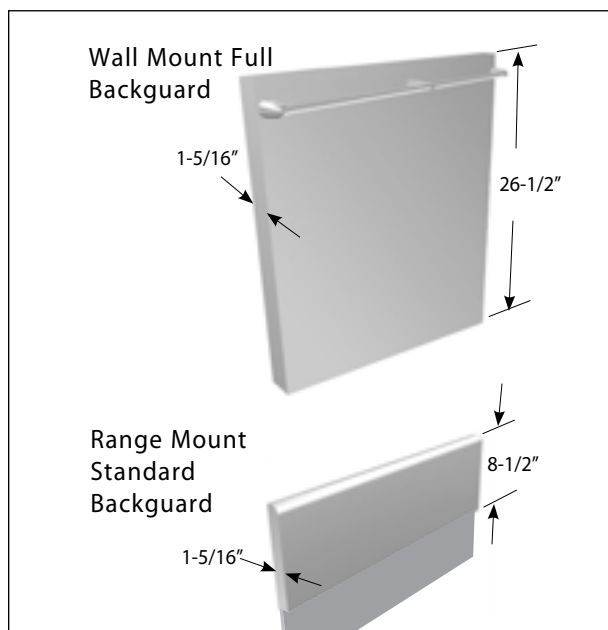


Fig.1 Backguards

	Model Number	
	Standard Backguard	Full Backguard
48" Range	BGRU-1248	BGRU-3048
36" Range	BGRU-1236	BGRU-3036
30" Range	BGRU-1230	BGRU-3030

Check local building codes for the proper method of range installation. Local codes vary. Installation, electrical connections, and grounding must comply with all applicable codes. In the absence of local codes, the range should be installed in accordance with the latest edition of National Fuel Gas Code ANSI Z223.1 and National Electrical Code ANSI / NFPA 70.

Be sure that the unit being installed is set up for the kind of gas being used. The gas range is shipped from the factory set and adjusted for Natural Gas or LP (propane), depending on the specific model ordered. **Verify that the range is compatible with the gas at the installation site before proceeding further.** Return range to dealer if the unit is not set for site gas supply.

PLANNING THE INSTALLATION

RECOMMENDED INSTALLATION SEQUENCE

Install components in the following order:

1. Locate and level range according to range installation instructions.

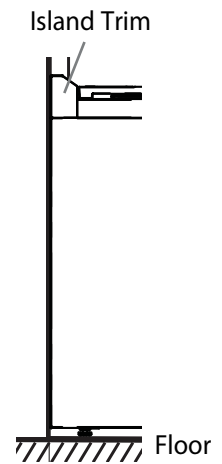
Steps 2,3 & 4 are only relevant if you are installing a Wall Mount Full Backguard:

2. Measure distance from floor to top of island trim on range, adding 1/4" for backguard clearance.
3. Transfer this measurement to the wall. This will mark the bottom of your backguard.
4. From this line measure 26-1/4" up wall to mark the top of a Wall Mount Full backguard. This is the minimum height that the bottom of your vent hood can be installed.


5. Follow vent hood manufacturer's installation instructions to install vent hood.
6. Follow backguard installation instructions to install backguard.
7. Connect gas and electric connections and slide range into position.

NOTE:

A manual gas shut-off valve must be installed. See section 'Gas Hook-up'.



UNPACKING AND HANDLING

⚠ WARNING!	
 420-630 lb 190-285 kg	<p>Extremely Heavy</p> <p>Proper equipment and adequate manpower must be used in moving the range to avoid personal injury or damage to the unit or the floor. The unit is heavy and rests on adjustable steel legs.</p> <p>Failure to follow this advice may result in damage or personal injury.</p>

⚠ WARNING:
DO NOT lift range by the oven door handles!!

⚠ WARNING:
DO NOT remove the grill or griddle assemblies!!

MOVING AND PLACING THE RANGE

The ranges have shipping weights varying from 420 lbs. to 630 lbs less approx. 50lbs. after removal of packing material. It is recommended that the door(s), grates, and front kick panel be removed to facilitate handling. This will reduce the weight for ease of handling.

It may be necessary to remove the oven door(s) to pass through some doorways. With the door(s) removed, a 29-1/2" wide opening is required. Without removing the door, a 32" wide opening is required. Remove the outer carton and packing material from the shipping base.

MOVING AND PLACING THE RANGE (cont.)

Anti-tip device should be installed (see section 'Installing anti-tip device' for instructions). The professional range should be transported by a dolly close to its final location. The range can be tipped back and supported on the rear legs while the dolly is removed. The floor under the legs should be protected (wood strips, carpet, paneling, etc.) before pushing the unit back into position.

Electric and gas connections should be made before the range is slid into the cabinet opening (see sections 'Electrical connections' and 'Gas hook-up'). If installing a full backguard with the range, it should also be installed before the range is placed in its final position (see sections 'Planning the installation' and 'Backguard installation'). For proper performance, the professional range should be level. Flooring in cabinet opening must be at the same level as flooring located in front of the cabinets. To achieve a flush fit of the range to adjoining countertops, it will be necessary to have level cabinets (front to back, and left to right across opening of the range). After checking the countertops for level and before sliding the range into place, measure the distance from the floor to the top of the counter work surface in the rear left and right corners. Adjust the corresponding rear corner of the range to an equal height of the counter, as the rear leveling legs are not accessible once the range is pushed into place. Once the range is in place, the front leg levelers can be accessed to level the front of the range. Replace the kick panel and oven doors by reversing the procedure described further below. It is important that the two screws retaining the kick panel are secure to prevent accidental access to live electrical components and wires (Fig. 2a).

To remove the kick panel:

Remove two screws at the top and pull forward. The range is held to the skid by two bolts (RGU & RDU models) or by L-brackets (RGUC models) in the front, behind the kick panel, and two L-brackets located on the bottom flange of the range back (Fig. 2b). After removing the bolts and brackets, the range must be lifted and removed from the skid.

Due to the weight, a dolly with soft wheels should be used to move this unit. The weight must be supported uniformly across the bottom (Fig. 3).

CAUTION: (RGUC MODELS ONLY)

Before using the range, be sure to remove shipping spacer insert in the broiler (see Fig. 4).

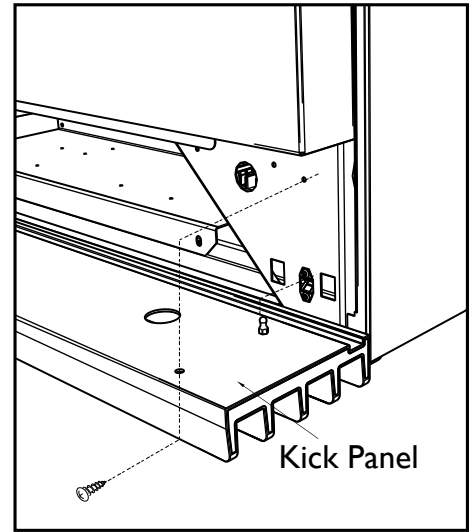


Fig. 2a

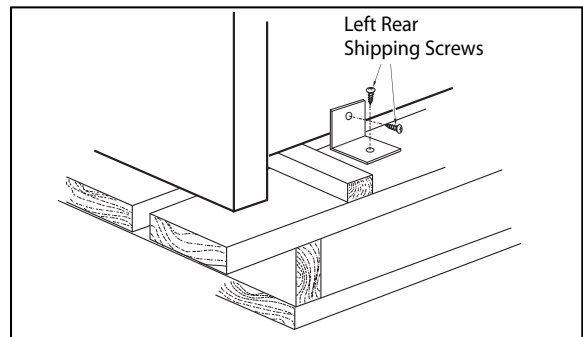


Fig. 2b

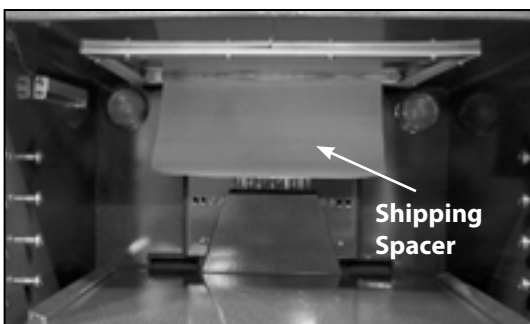


Fig. 4

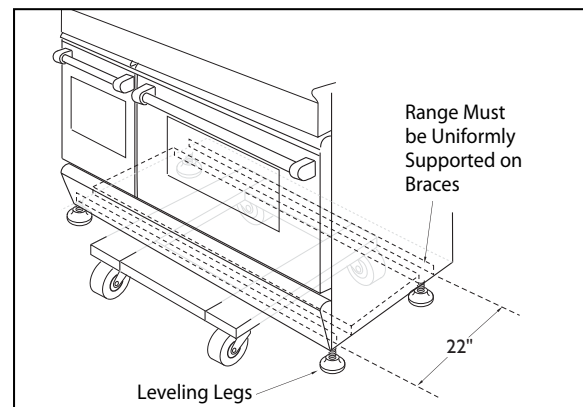


Fig. 3

UNPACKING AND HANDLING

To remove door:

WARNING!

Do not lift oven door by the handle - this will cause damage! Be sure the oven and door are cool before you begin to remove the door!

1. Open the door completely. (Fig. 5a).
2. Unlock the door hinges by rotating the lock forward (Fig. 5b).
3. Once both hinges are unlocked, gently close the door until approximately halfway closed. Grabbing the sides of the door and gently lifting up and slightly forward, the door will unlatch from the hinge.
4. Continue to lift and pull the door away from the range.

To re-install door:

1. Position the door in approximately halfway open position.
2. Simply place the hinge tongue into the hinge slots (See Fig. 6a).
3. Push the door into the slots until you feel them fall into the latches.
4. Open the door completely and rotate the locks into the closed position (Fig. 6b).
5. Close the oven door.



Fig. 5a Oven hinge assembly

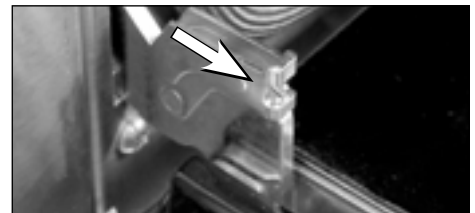


Fig. 5b Hinge retainer clip in unlocked position



Fig. 6a Hinge assembly



Fig. 6b Hinge retainer clip in locked position

VENTILATION REQUIREMENTS

A suitable exhaust hood must be installed above the range. The following chart indicates the minimum blower capacity recommended for hood ventilation.

Ventilation Unit	Standard Counter Installation Recommendations	Island Installation Recommendations
HOOD	24" Deep x Unit Width	30" Deep x 36" at Bottom
BLOWER	48" Range 1200 CFM	1200 CFM
	36" Range* 600-1200 CFM	600-1200 CFM
	30" Range 600 CFM	600 CFM

* 36" ranges featuring a grill (GL models) require a 1200 CFM ventilation unit

CAUTION:

Ventilation hoods and blowers are designed for use with single wall ducting. However, some local building codes or inspectors may require double wall ducting and/or a damper. Consult local building codes and/or local agencies, before starting, to ensure that hood and duct installation will meet local requirements.

Hood blower speeds should be variable to reduce noise and loss of heated or air conditioned household air when maximum ventilation is not required. Normally, the maximum blower speed is only required when using the grill or the self-cleaning cycle.

For best smoke elimination, the lower edge of the hood should be installed a minimum of 30" to a maximum of 36" above the range cooking surface, (see section 'Cabinet Preparation'). If the hood contains any combustible materials (e.g. a wood covering) it must be a minimum of 36" above the cooking surface.

Due to a high volume of ventilation air, a source of make-up air (outside replacement air) is recommended. This is particularly important for tightly sealed and insulated homes. A reputable heating and ventilating contractor should be consulted.

INSTALLING ANTI-TIP DEVICE

All ranges must have an anti-tip device correctly installed as per the following instructions. If you pull the range out from the wall for any reason, make sure that the device is properly engaged when you push the range back against the wall. If it is not, there is a risk of the range tipping over and causing injury if you or a child stand, sit or lean on an open oven door.

INCLUDED PARTS:

- (4) #10 x 2" wood screws,
- (1) Anti-tip bracket, and (1) Installation Instructions.

INSTALLING THE KIT:

Instructions are provided for wood and cement floors. Any other type of construction may require special installation techniques as deemed necessary to provide adequate fastening of the Anti-tip bracket to the floor and wall. The use of this bracket does not preclude tipping of the range when not properly installed.

WOOD CONSTRUCTION:

Place the bracket against the back wall, into the right rear corner where the range is to be located. Leave a gap between the wall (or side of range) and the bracket (see Fig. 8). Drill (2) 1/8" diameter pilot holes in the center of the small holes. A nail or awl may be used if a drill is not available. Fasten the bracket securely to the floor and wall.

CONCRETE OR CEMENT CONSTRUCTION:

Hardware Required:

- (2) sleeve anchors, lag bolts, and washers (not provided).

Locate the bracket as described above. Drill the recommended size holes for the hardware. Install the sleeve anchors into the holes and then install the lag bolts through the bracket. The bolts must be properly tightened as recommended for the hardware. Fasten the bracket securely to the floor and wall.

ONCE INSTALLED:

Complete the range installation per the instructions provided with the product. Check for proper installation of the range and Anti-tip device by grasping the back of the unit and carefully attempt to tilt the range forward.

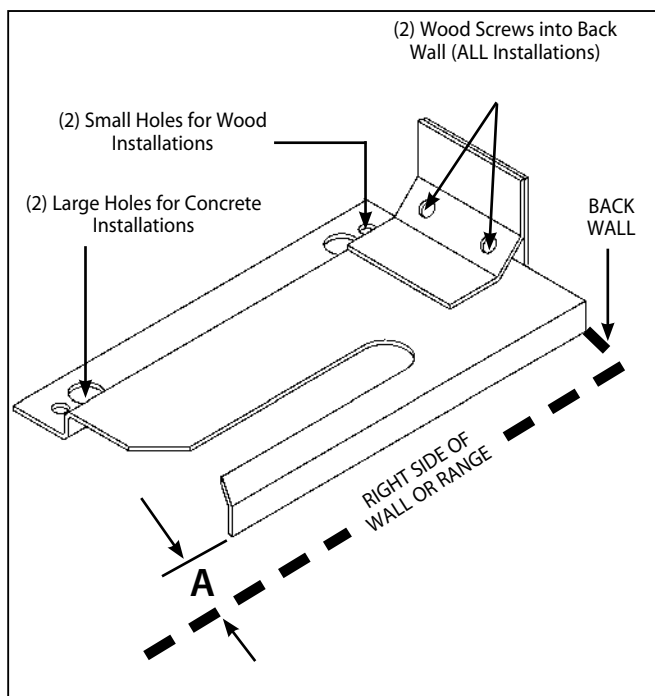


Fig. 8

Model Series	RGU-48, RDU-48 RGU-36, RDU-36 RGU-30, RDU-30	RGUC-30
A	1/2"	5/8"

WARNING

- ALL RANGES CAN TIP
- INJURY TO PERSONS COULD RESULT
- INSTALL ANTI-TIP BRACKET PACKED INSIDE OVEN
- SEE INSTRUCTIONS

Fig. 9

14 CABINET PREPARATION

US
CA

1. The range is a free standing unit. If the unit is to be placed adjacent to cabinets, the clearances shown in the following diagrams are required. The same clearances apply to island installations.
2. The range can be placed in various positions with respect to the cabinet front, with the front frame either flush or projecting, depending on the countertop depth.
3. The electrical and gas supply should be within the zones shown in the following diagrams.
4. A manual shut-off valve (supplied by the installer) must be installed in an accessible location in the gas line external to the appliance for the purpose of turning on or shutting off gas to the appliance. (In Massachusetts such shut-off valves should be approved by the Board of State Examiners of Plumbers & Gas Fitters.) The shut-off valve must be located within 6 feet (1.8 metres) of the appliance it serves.

Important!

Fisher & Paykel recommends installing the manual shut-off valve in a location readily accessible by the customer, so that gas to the appliance can be shut off in an emergency situation. However, the appliance must not be modified in any way to accommodate such placement.

5. The maximum depth of over head cabinets installed on either side of the hood is 13".
6. Any openings in the wall behind the range and in the floor under the range must be sealed.
7. When there is less than a 12" clearance between combustible material and the back edge of the range (above the cooking surface), a DCS Standard backguard or Full backguard must be installed. When clearance to combustible material is over 12" no backguard is necessary. RGU models are supplied with a matching BGRU-12xx standard backguard. For RDU and RGUC models, the backguard must be ordered separately, (see section 'Planning the installation'). See Fig. 13 for an illustration of all the installation options.
8. Always keep the appliance area clear and free from combustible materials, gasoline and other flammable vapors and liquids.
9. Do not obstruct the flow of combustion and ventilation air to the unit.
10. The horizontal surfaces of the range top (cooktop) trim must not be below countertop level.

CABINET PREPARATION

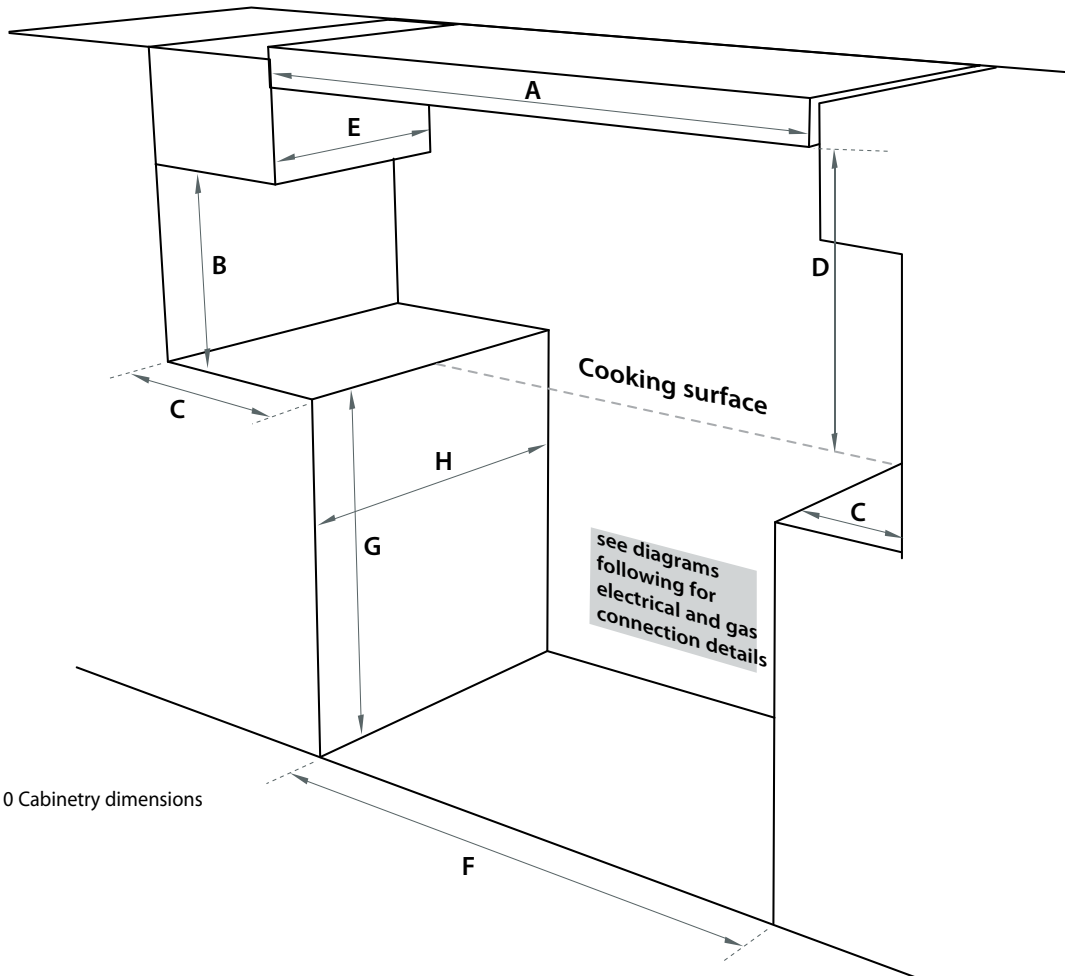


Fig. 10 Cabinetry dimensions

Cabinetry dimensions		RGU-48 RDU-48	RGU-36 RDU-36	RGU-30 RDU-30 RGUC-30
A	minimum width of ventilation hood installed above range	48"	36"	30"
B	minimum vertical distance between countertop and cabinet extending above counter	18"	18"	18"
C	minimum clearance from left and right edge of range to nearest vertical combustible surface	12"	12"	12"
D	minimum clearance from cooking surface to:			
	- combustible surface centered above the cooking surface	36"	36"	36"
	- non-combustible surface centered above the cooking surface	30"	30"	30"
E	maximum overall depth of overhead cabinetry	13"	13"	13"
F	width of cabinetry opening	48"	36"	30"
G	maximum height from floor to countertop:			
	- for level counter	35-3/4"	35-3/4"	35-3/4"
	- with range levelling legs fully extended	36-3/4"	36-3/4"	36-3/4"
H	maximum depth from wall to cabinet front	25"	25"	25"

LOCATION OF ELECTRICAL & GAS SUPPLY - RGU & RGUC MODELS

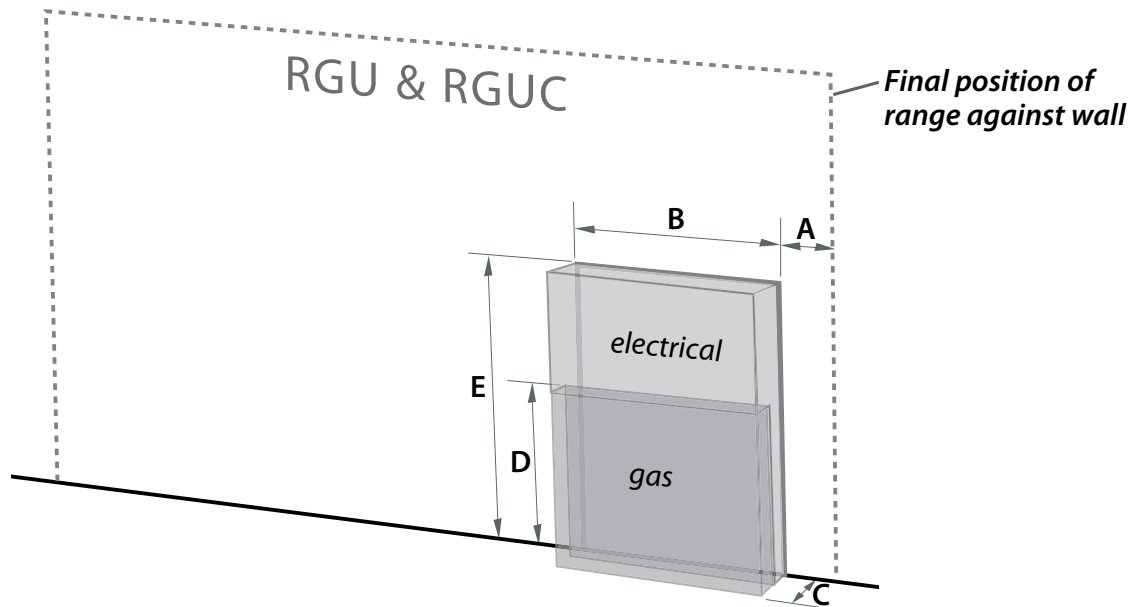


Fig. 11 Location of electrical and gas supply - RGU & RGUC models

Supply area dimensions		RGU	RGUC
A	distance from right edge of range to supply area	1-1/2"	1-1/2"
B	width of supply areas	6"	9"
C	depth of supply areas (i.e. maximum protrusion of gas connection from wall)	2"	2"
D	height of gas supply area (from floor)	12"	4-1/2"
E	height of electrical supply area (from floor)	19"	11"

LOCATION OF ELECTRICAL & GAS SUPPLY - RDU MODELS

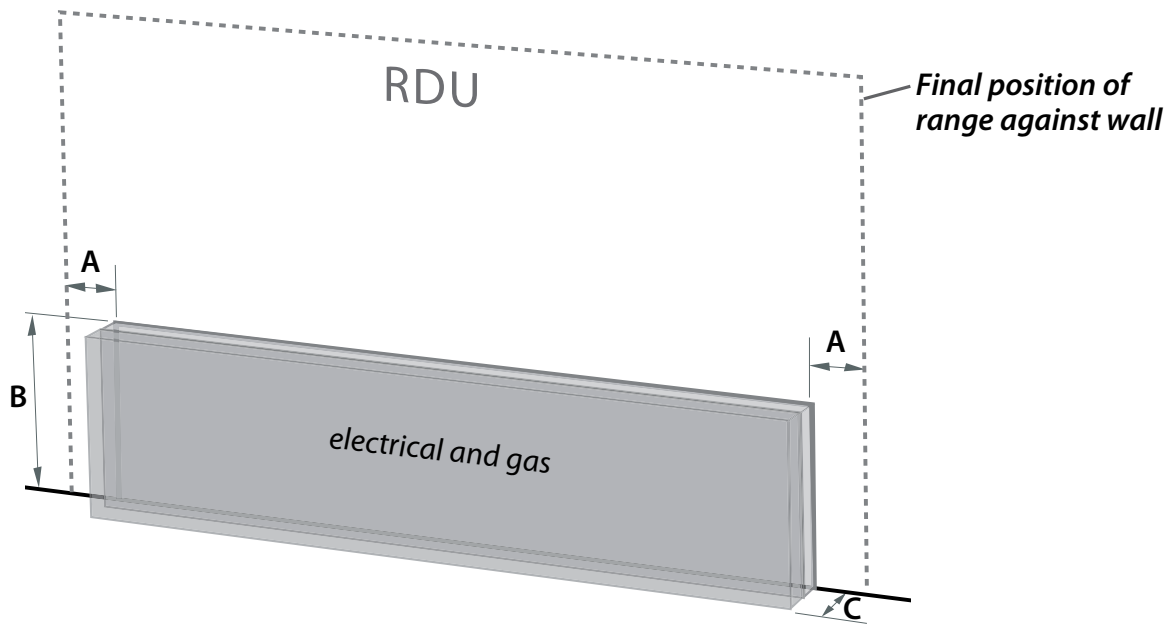
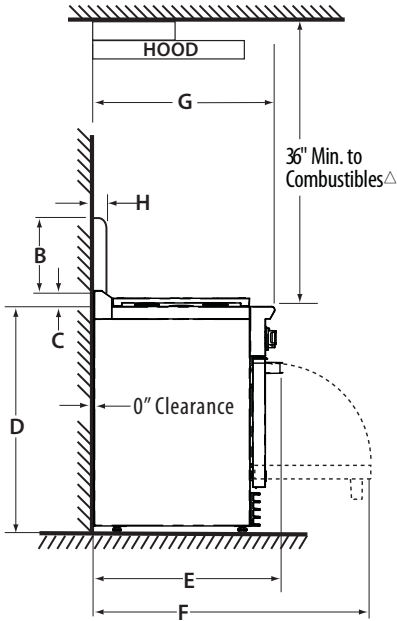


Fig. 12 Location of electrical and gas supply - RDU models

Supply area dimensions		RDU
A	distance from either edge of range to supply area	1-1/2"
B	height of gas and electrical supply areas (from floor)	6"
C	depth of supply areas (i.e. maximum protrusion of gas connection from wall)	2"

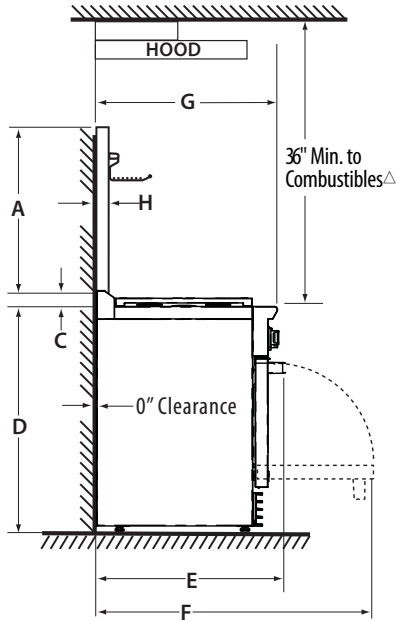
Standard Installation:

using the appropriate range mount
Standard backguard model: BGRU-1248,
BGRU-1236, or BGRU-1230



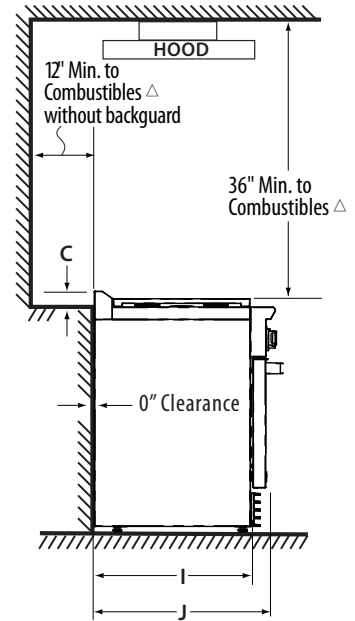
Full Backguard Installation:

using the appropriate wall mount Full
backguard model: BGRU-3048, BGRU-3036,
or BGRU-3030



Island Installation:

using the integral island trim only



△ As defined in the "National Fuel Gas Code" (ANSI Z223.1, Latest Edition).

The horizontal surfaces of the range top (cooktop) trim must not be below countertop level.

HEIGHTS & DEPTHS (identical for all models)

- A = 26-1/2"
- B = 8-1/2"
- C = 3-1/2"
- D = min.35-3/4", max.36-3/4"
- E = 30-1/4"
- F = 46-11/16"
- G = 29"
- H = 1-5/16"
- I = 25"
- J = 27-1/2"

Important!

If using the island trim only, a 12" clearance is required between the back of the range and a combustible surface (above the cooking surface). If the clearance is less than 12", the back wall must be non-combustible and made of heat-resistant material.

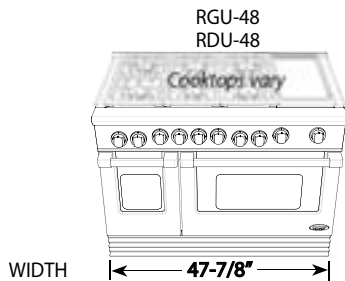


Fig. 13 Product dimensions and clearances

BACKGUARD INSTALLATION

The backguard is located as shown in Fig. 14. Secure the backguard to the range (standard backguards) or the wall behind the range (full backguards). Specific instructions for installation can be found packaged with the backguard. See also "Planning The Installation" section. A backguard (standard or full) must be installed when there is less than a 12" clearance between combustibles and the back of the range (above the cooking surface). See Fig. 13.

RGU models are supplied with a standard range mount backguard. For RDU and RGUC models, DCS backguards are sold separately.

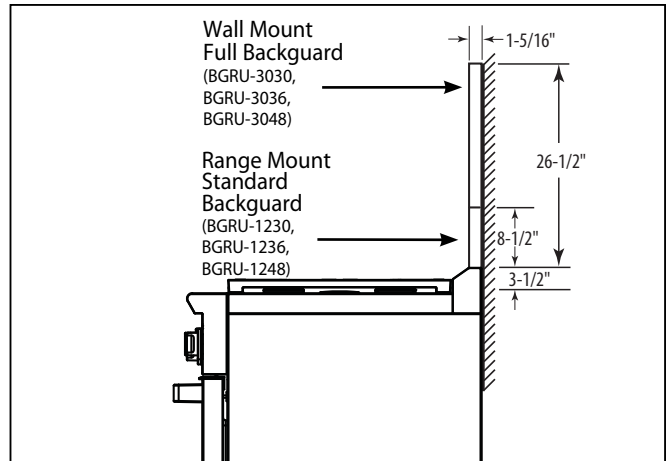
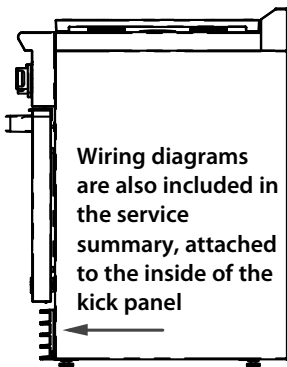


Fig. 14

ELECTRICAL CONNECTIONS



The rating label is located on the back of the range

A wiring diagram label is attached to the back of the range

Wiring diagrams are also included in the service summary, attached to the inside of the kick panel

Important!

Always disconnect electric supply cord from the wall outlet or service disconnect before servicing this appliance. Observe all governing codes and ordinances when grounding, in absence of which, observe National Electrical Code ANSI / NFPA No. 70.

ELECTRICAL CONNECTIONS – RGU & RGUC MODELS

The electrical supply must be a correctly polarized 120 volt AC, 60 Hz, single phase circuit suitable for the maximum current draw of the model, as detailed in the table below. Please verify your model's current draw by checking the rating label on the back of the range.

MODEL	MAX. CURRENT DRAW	CIRCUIT TO USE
RGU-305	5 amp	15 amp
RGU-364GD	8 amp	15 amp
RGU-364GL	8 amp	15 amp
RGU-366	5 amp	15 amp
RGU-484GG	15 amp	15 amp
RGU-485GD	15 amp	15 amp
RGU-486GD	12 amp	15 amp
RGU-486GL	12 amp	15 amp
RGUC-305	5 amp	15 amp

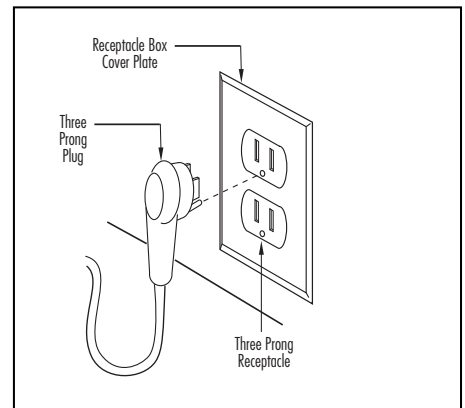


Fig. 15a Connecting the range to the power supply - RGU & RGUC Models

REQUIRED GROUNDING METHOD – RGU & RGUC MODELS

This appliance is factory equipped with a power supply cord with a three-prong grounding plug (with polarized parallel blades). It must be plugged into a mating grounding-type receptacle, connected to a correctly polarized 120 volt circuit. If the circuit does not have a grounding type receptacle, it is the responsibility and obligation of the installer to have the existing receptacle changed to a properly grounded and polarized receptacle in accordance with all applicable local codes and ordinances by a qualified electrician. In the absence of local codes and ordinances, the receptacle replacement shall be in accordance with the National Electrical Code.

Note:

The third prong should not, under ANY circumstances, be cut or removed.

ELECTRICAL CONNECTIONS – RDU MODELS

The electrical supply must be a correctly polarized 120/240 volt, 3-wire (plus ground), 60 Hz circuit suitable for the maximum current draw of the model, as detailed in the table below. Please verify your model's current draw by checking the rating label on the back of the range.

The power receptacle must be a NEMA 14-50 device to accept the four prong plug supplied with the unit (Fig. 15b). The receptacle should be located within the area shown in Fig. 12.

MODEL	MAX. CURRENT DRAW	CIRCUIT TO USE
RDU-305	18 amp	30 amp
RDU-364GD	21 amp	30 amp
RDU-364GL	21 amp	30 amp
RDU-366	18 amp	30 amp
RDU-484GG	40 amp	50 amp
RDU-485GD	40 amp	50 amp
RDU-486GD	36 amp	50 amp
RDU-486GL	36 amp	50 amp

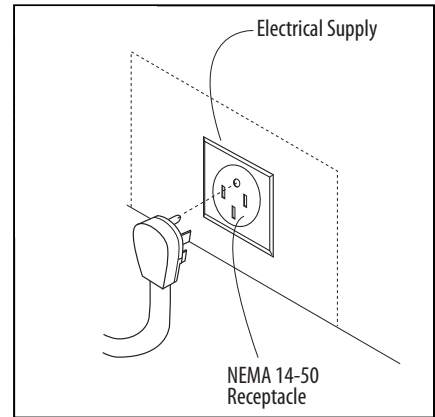


Fig. 15b Connecting the range to the power supply - RDU Models

REQUIRED GROUNDING METHOD – RDU MODELS

This appliance is factory equipped with a power supply cord with a four-prong grounding plug. It must be plugged into a mating grounding, type receptacle, connected to a correctly polarized 120/240 volt circuit. If the circuit does not have a grounding type receptacle, it is the responsibility and obligation of the installer to have the existing receptacle changed to a properly grounded and polarized receptacle in accordance with all applicable local codes and ordinances by a qualified electrician. In the absence of local codes and ordinances, the receptacle replacement shall be in accordance with the National Electrical Code.

Note:

The fourth prong (round grounding pin) should not, under any circumstances, be cut or removed.

WARNING!

The range is equipped for use with an electrical supply which uses a separate grounding conductor (4 wire system). If this range must be connected to an electrical system which utilizes a single conductor for ground and neutral (3 wire system), the grounding jumper at the terminal block must be connected. The grounding jumper is located behind the front kickpanel.

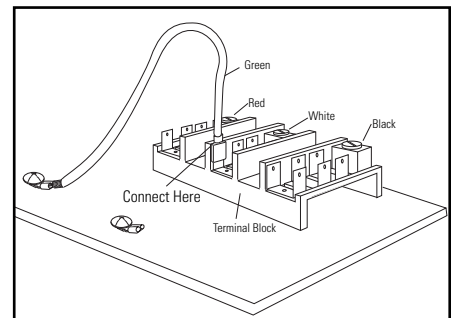


Fig. 16 RDU terminal block

To connect grounding jumper:

- Disconnect restraining clip holding jumper.
- Connect green jumper to open terminal on neutral (white) portion of the terminal block (Fig. 16).

GAS REQUIREMENTS

Verify the type of gas supplied to the location. The range is shipped from the factory set up and adjusted for Natural Gas or LP (propane), depending on the specific model ordered. **Verify that the range is compatible with gas supply at the installation site before proceeding further.** Return the range to the dealer if the unit is not set for the gas supplied at the site.

NATURAL GAS

■ Connection: 1/2" NPT Minimum 5/8" dia. flex line.

■ Supply Pressure: 6" to 9" W.C.

LP GAS

■ Connection: 1/2" NPT Minimum 5/8" dia. flex line.

■ Supply Pressure: 11" to 14" W.C.

A regulator is required at the LP source to provide a maximum pressure of 14" W.C. to the range regulator.

REQUIREMENTS FOR HOOK-UP TO GAS SUPPLY

- The gas supply connections should be made by a qualified technician in accordance with local codes or ordinances. In the absence of a local code, the installation must conform to the latest edition of National Fuel Gas Code ANSI Z.223.1 (Warning: this appliance must be installed by a licensed plumber or gas fitter when within the Commonwealth of Massachusetts).
- A manual shut-off valve (supplied by the installer) must be installed in an accessible location in the gas line external to the appliance for the purpose of turning on or shutting off gas to the appliance. (In Massachusetts such shut-off valves should be approved by the Board of State Examiners of Plumbers & Gas Fitters.) The shut-off valve must be located within 6 feet (1.8 meters) of the appliance it serves.

Important!

Fisher & Paykel recommends installing the manual shutoff valve in a location readily accessible by the customer, so that gas to the appliance can be shut off in an emergency situation. However, the appliance must not be modified in any way to accommodate such placement.

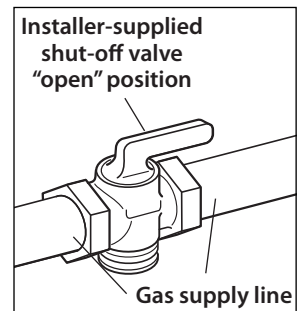


Fig. 17 Manual shut-off valve

- The gas supply line must not protrude beyond the back of the appliance.
- Make sure the gas supply is turned off at the wall valve before connecting the appliance
- Leak-testing of the appliance shall be conducted according to the manufacturer's instructions. See instructions in section 'Test and adjustments'.
- The appliance must be isolated from the building's gas supply piping system by closing its individual manual shut-off valve during any pressure testing of the gas supply piping system at test pressures equal to or less than 1/2 psig (3.5kPa.). The appliance and its individual shut-off valve must be disconnected from the gas supply piping system during any pressure testing of the system at the test pressures in excess of 1/2 psig (3.5kPa.). When checking the manifold gas pressure, the inlet pressure to the regulator should be at least 7.0" W.C. for natural gas or 12.0" for LP.
- The flex line for the gas supply must be metal and be approved for appliance use by a certifying agency (CSA, CGA, or UL). Never use a hose made of rubber or other synthetic material, as the heat may cause the hose to melt and develop leaks.
- When hooking up the gas supply from the wall hard pipe to the range hard pipe, installation length of flex line between range/wall hard piping must accommodate range being pulled from wall for cleaning or servicing purposes. When range is pulled from wall, no strain should occur at range or wall hard pipe connections.

LEAK TESTING:

- After final gas connection is made, turn on manual gas valve and test all connections in gas supply piping for gas leaks with a soapy water solution. During this test all appliance gas valves have to be closed.
- In order to avoid property damage or serious personal injury, never use a lighted match or open flame. If a leak is present, tighten joint or unscrew, apply more joint compound, tighten again and retest connection for leak.

! WARNING :

For warranty coverage, DCS requires that burner adjustments be made by a qualified technician at the time of installation. Extreme care should be used when adjustments are made after installation. **IMPROPER OR LACK OF ADJUSTMENT WILL VOID YOUR WARRANTY.**

COOKTOP BURNERS

The cooktop burners are not adjustable. Proper operation is achieved when the correct orifices for gas supply are installed at the factory, based on model ordered.

When installing the burner port ring, be sure that the two locating pins in the bottom side of the brass port ring are properly aligned with the locating notch and center holes on the top side of the simmer ring. Incorrect alignment will produce a potentially dangerous flame and poor burner performance.

Note:

No air shutter adjustment is possible on the cooktop burners. Burner flames should be blue and stable with no yellow-tipping (some yellow-tipping is normal with LP gas), excessive noise, or lifting of flame from the burner (Fig. 18).

COOKTOP BURNER LIGHTING NOTE

The cooktop burners have an infinite number of heat settings and there are no fixed positions on the control knobs between HI and LO. To turn the cooktop burner on, push in on the control knob and turn it counter-clockwise to the "LITE" position. An audible clicking sound will be heard. When the gas has been ignited by the electronic spark igniter, turn the knob to the desired setting (Fig. 19).

Note:

The igniter will continue to click until a flame is present. If the cooktop burner does not ignite, check the spark igniter by listening for a clicking sound. If you do not hear the igniter click, turn off the burner. Check for a tripped circuit breaker, blown fuse, or poor wire connection to the igniter.

! WARNING:

When turning on any cooktop burner, be sure to stop at the "LITE" position before turning the burner to a flame setting for cooking. If the burner is not lit and it is turned beyond the "LITE" position, to HI, MEDIUM, or LO, there will be a burst of flame when the burner does light. This could cause burns or damage to the surrounding countertop.

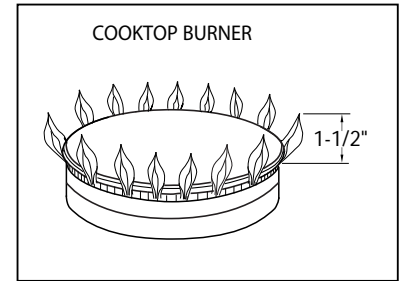


Fig. 18 Correct burner flame characteristics

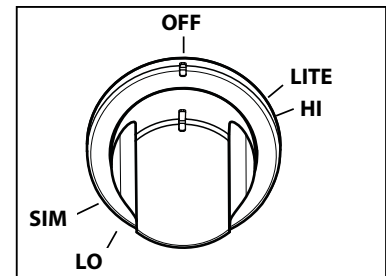


Fig. 19

GRIDDLE AND GRILL BURNERS (SOME MODELS ONLY)

Check for the proper burner flame characteristics and adjust air shutters if necessary (Fig. 20). Each valve and air shutter is individually tested and adjusted prior to shipment. Normally adjustment is not required, however, vibration during transit, gas conversion or variations in the local gas supply may make minor adjustments necessary. Burner flames should be blue and stable with no yellow tips, excessive noise or lifting of the flame from the burner. If any of these conditions exist, check that the air shutter or burner ports are not blocked. If this condition persists, adjust the air shutter as required. If the flame is too yellow, indicating insufficient air, adjust the shutter counterclockwise to increase air inlet. If the flame is noisy or tends to lift away from the burner, indicating too much air, turn the shutter clockwise to reduce air. The griddle flames should be 1-1/2" to 2". The grill burner flames should be 3/8" to 5/8" (Fig. 21).

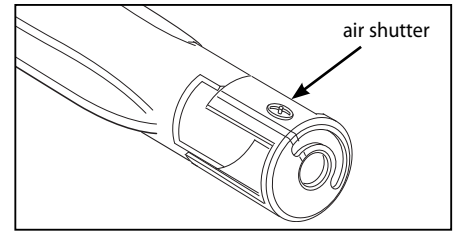


Fig. 20

INFRARED BROIL AND OVEN BAKE BURNERS (RGU AND RGUC MODELS ONLY)

CAUTION:

The oven infrared broiler burner has no air shutter and is not adjustable. The oven bake burner has an air shutter and is adjustable. It is necessary to operate the oven broiler for 20-30 minutes to eliminate the harsh odor of the insulation binder. This must be done before using the range for the first time and with proper ventilation.

Check for the proper burner flame characteristics. Burner flames should be blue and stable with no yellow tips, excessive noise or lifting of the flame from the burner. If any of these conditions exist, check that the air shutter (oven burner only) (Fig. 20) or burner ports are not blocked. If this condition persists, contact a qualified technician.

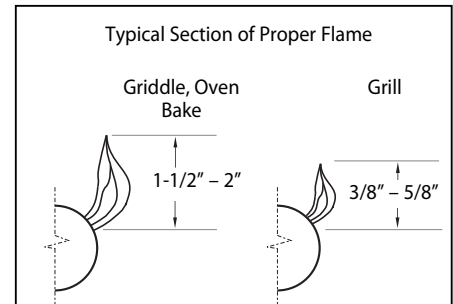


Fig. 21

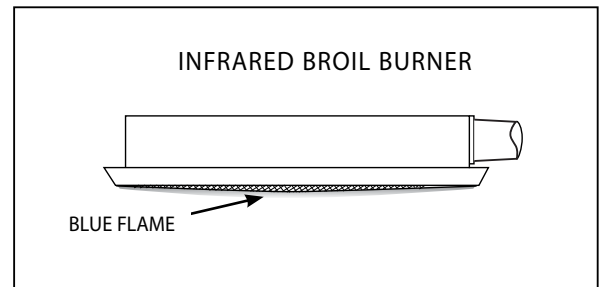


Fig. 22

The oven burner flames should be 1-1/2" to 2" (Fig. 21). The infrared broil burner flames should be approximately 1/8" high over the entire burner screen (Fig. 22).

CLEANING EXTERIOR SURFACES

The stainless steel surfaces may be cleaned by wiping with a damp soapy cloth or sponge. Any liquid soap (like Dawn or Stainless Steel Magic) will remove fingerprints and smears. Do not use steel wool as it will scratch this surface.

GENERAL

- Placement of unit.
- Specified clearance maintained to cabinet surfaces.
- Unit Level - front to back, side to side.
- All packaging material and tie straps removed.
- Backguard attached if there is less than 12" clearance to combustibles behind unit.
- Radiant tray placed in grill unit (if equipped). The grill grate is in place.

ELECTRICAL

- Receptacle with properly rated over-current protection is provided for service cord connection.
- Adequate ground connection.
- Front kick panel in place and two (2) screws secure.

GAS SUPPLY

- Connection: 1/2 NPT with a minimum 5/8" diameter flex line. Site gas supply is compatible with range model, and sufficient pressure is available (see section 'Gas hook-up').
- The pressure regulator which is connected to the manifold is set for 5.0" W.C. for natural gas or 10.0" W.C. for LP.
- Manual gas shut-off valve installed in an accessible location.
- Unit tested and free of gas leaks.

OPERATION

- All internal packing materials removed. Check below the grate and inside the oven.
- If used on LP gas, verify that pressure regulator, orifice hoods, air shutters, and valve jets have been set for use with LP gas.
- Grill compartment seated and does not rock (if equipped).
- Bezels centered on burner knobs and knobs turn freely.
- Each burner lights satisfactorily, both individually and with other burners operating at the same time.
- Flame adjustment made on air shutter of each oven, griddle, or grill burner.
- Griddle is level and does not rock (if equipped).
- Oven door hinges seated and door opens and closes properly.
- Burner grates correctly positioned, level, and do not rock.
- Griddle flame correct.
- Grill flame correct.
- Cooktop burner flame correct.

Important!

- *Service should only be done by authorized technicians. Before servicing this appliance, the technician must disconnect it from the power supply.*
- *Wiring diagrams and instructions for removing the range for service and are included in the service summary, attached to the inside of the kick panel. Due to potential access to electrically live parts, the kick panel should only be removed by an authorized technician.*

To obtain service, please contact DCS Customer Care Representative at (888) 936-7872 or go to our website at www.dcsappliances.com and choose “customer care” to find your nearest Authorized Service Center. Before you call, please have the following information ready:

- Model and serial number (located on the label above the kick panel on the right)
- Date of installation
- A brief description of the problem

Your satisfaction is of the utmost importance to us. If a problem cannot be resolved to your satisfaction, please write to Customer Care or email: customer.care@fisherpaykel.com

Write:

Fisher & Paykel Appliances, Inc.
Attention: DCS Customer Care
5900 Skylab Road
Huntington Beach, CA 92647

BEFORE YOU CALL FOR SERVICE:

1. Is the circuit breaker tripped or the fuse blown?
2. Is there a power outage in the area?

Nous vous remercions d'avoir choisi cette cuisinière professionnelle DCS. Nous avons conçu ce Manuel d'installation pour expliquer ses fonctions uniques. Il contient des informations extrêmement utiles sur la façon d'installer correctement votre nouvel appareil. Vous pourrez ainsi en profiter pendant des années en toute sécurité.

Si vous avez des questions au sujet de notre produit, communiquez avec un représentant du centre de service à la clientèle DCS par téléphone : 1-888-936-7872, ou par courriel : customer.care@fisherpaykel.com.

REMARQUE : Veuillez noter les numéros de modèle et de série sur cette page pour information (situé sur la plaque signalétique, sur le panneau arrière et également sur le cadre avant, coin inférieur droit entre le panneau de seuil de porte et la porte du four).

NUMÉRO DE MODÈLE _____ NUMÉRO DE SÉRIE _____

REMARQUE : Inspecter le produit pour vérifier qu'il n'a pas été endommagé pendant l'expédition. En cas de dommages, contacter le transporteur et entamer une déclaration pour dommage. DCS by Fisher & Paykel n'est en aucun cas responsable des dommages pendant l'expédition.

Ne pas jeter le matériau d'emballage (boîte, palette, sangles) avant d'avoir inspecté l'unité.



AVERTISSEMENT!

Toute installation, ajustement, altération ou entretien incorrect peut causer des dommages matériels, des blessures ou la mort. Veuillez lire soigneusement ces instructions d'installation, d'utilisation et d'entretien avant d'installer, utiliser ou effectuer l'entretien de cet appareil.



AVERTISSEMENT!

Pour réduire les risques de blessures en cas de feu de graisse sur la table de cuisson, respectez les consignes suivantes : Éteignez d'abord le brûleur. Étouffez les flammes à l'aide d'un couvercle hermétique, d'une plaque à biscuits d'un plateau métallique, de bicarbonate de soude ou à l'aide d'un extincteur à poudre ou à mousse. Attention à ne pas vous brûler. Si les flammes ne s'éteignent pas immédiatement, évacuez les lieux et appelez les pompiers. Ne prenez jamais en main une poêle ou une casserole qui a pris feu; vous pourriez vous brûler. **N'UTILISEZ PAS D'EAU SUR UN FEU DE GRAISSE, y compris des serviettes mouillées; une explosion de vapeur violente pourrait en résulter. Utilisez un extincteur SEULEMENT si :**

1. Vous êtes sûr qu'il s'agit d'un extincteur de classe ABC et savez comment le faire fonctionner.
2. L'incendie est limité et se limite à l'endroit où il s'est déclenché.
3. Vous êtes en train d'avertir les pompiers.
4. Vous pouvez combattre l'incendie le dos tourné vers une sortie.

Important!

Installateur: Laissez ce manuel avec le client.

Client: Veuillez conserver ce manuel à titre de référence et pour l'inspecteur local.

TABLE DES MATIÈRES

MESURES DE SÉCURITÉ ET DE PRÉCAUTION	29
MODÈLES	33
PLANIFICATION DE L'INSTALLATION	34
DÉBALLAGE ET MANIPULATION	35
EXIGENCES EN MATIÈRE DE VENTILATION	38
INSTALLATION DU DISPOSITIF ANTIBASCULEMENT	39
PRÉPARATION DES ARMOIRES	40
INSTALLATION DU DOSSERET	45
CONNEXIONS ÉLECTRIQUES	45
BRANCHEMENT DU GAZ	47
ESSAI ET RÉGLAGES	48
NETTOYAGE DES SURFACES EXTÉRIEURES	49
LISTE DE CONTRÔLE FINALE DE L'INSTALLATEUR	50
SERVICE	51

Votre nouvel appareil DCS fonctionnera de manière sûre et fiable pendant des années si vous en prenez bien soin. Faites extrêmement attention quand vous utilisez cet appareil de niveau professionnel, car il dégage une chaleur intense et peut augmenter les risques d'accidents. Vous devez respecter des consignes de sécurité élémentaires durant l'utilisation d'appareils de cuisine, dont celles-ci :

- Veuillez lire attentivement le guide d'utilisation avant d'utiliser votre nouvel appareil. Ceci vous permettra de réduire les risques d'incendie, de choc électrique ou de blessures.
- Commencez par vous assurer que l'installation et l'entretien sont effectués correctement. Suivez les instructions d'installation fournies avec cet appareil. Avant d'utiliser l'appareil, confiez son installation et sa mise à la terre à un technicien qualifié.
- Demandez-lui de vous montrer l'emplacement du robinet d'arrêt de l'alimentation de gaz.
- Si vous sentez une odeur de gaz, cela signifie que l'installateur n'a pas vérifié correctement s'il y avait des fuites. Coupez le gaz à l'appareil et suivez les instructions sur la couverture intérieure de ce manuel. N'essayez pas de trouver la fuite vous-même. Ceci doit être fait par un technicien qualifié de service seulement.
- Si jamais un brûleur s'éteint et laisse s'échapper du gaz, ouvrez la fenêtre ou la porte pour évacuer l'air. N'essayez pas d'utiliser l'appareil avant que le gaz ne se soit complètement dissipé. Suivez les instructions sur la couverture intérieure de ce manuel.
- Cet appareil électroménager a été monté en usine pour être utilisé avec du gaz naturel ou propane. Il doit être réglé correctement en usine selon le type de gaz utilisé.
- Ne réparez pas ni ne remplacez aucune pièce de cet appareil, sauf indication contraire du manuel. Tout autre travail d'entretien doit être confié à un technicien qualifié.
- Les enfants ne doivent pas être laissés seuls ou sans surveillance dans un endroit où l'on utilise des appareils électroménagers. Il ne faut jamais les laisser tourner ou enfoncer des boutons, ni s'asseoir ou se tenir debout sur ces appareils ou les toucher lorsqu'ils sont en marche.
- Des enfants en marchette ou à quatre pattes peuvent être attirés par la poignée de la porte et la saisir pour ouvrir la porte du four. Ils pourraient alors se blesser si la porte est ouverte ou se brûler sérieusement si le four fonctionne et qu'il est chaud.




AVERTISSEMENT!

Évitez de ranger sur les appareils ou à l'arrière des articles pouvant attirer les enfants. Les enfants peuvent être blessés sérieusement s'ils grimpent sur l'appareil pour atteindre ces articles.

- Ne rangez jamais rien dans le four ni sur la table de cuisson. Des matériaux inflammables pourraient prendre feu, des éléments en plastique pourraient fondre ou s'enflammer et d'autres types d'objets pourraient être détruits.
- Ne suspendez aucun article sur l'appareil et ne placez aucun objet contre le four. Certains matériaux sont très inflammables et pourraient prendre feu.
- Si l'appareil se trouve près d'une fenêtre, assurez-vous que les rideaux sont suffisamment éloignés des brûleurs de la table de cuisson; ils pourraient prendre feu sinon.
- Ne versez pas d'eau sur les feux de graisse. ÉTEIGNEZ tous les brûleurs, puis étouffez le feu avec du bicarbonate de soude ou à l'aide d'un extincteur à poudre ou à mousse.
- Ne laissez jamais des vêtements, gants ou autres matériaux inflammables en contact ou à proximité d'un brûleur ou d'une grille de brûleur tant que ces derniers n'ont pas refroidi. Les tissus peuvent s'enflammer et causer des blessures.

- Utilisez seulement des gants isolants secs : les gants humides sur des surfaces chaudes peuvent provoquer des brûlures causées par la vapeur. N'utilisez pas de serviette ou de linge épais à la place de gants isolants. Ne laissez pas les gants isolants toucher les brûleurs ou leurs grilles.
- Pour assurer votre propre sécurité, habillez-vous de façon appropriée. Ne portez jamais de vêtements ou de manches lâches lorsque vous utilisez l'appareil. Certains tissus synthétiques sont extrêmement inflammables et ne doivent pas être portés pendant la cuisson.
- Ne recouvrez aucune partie du four ou de la table de cuisson avec du papier aluminium. C'est un isolant thermique qui peut emprisonner la chaleur, laquelle peut alors affecter la performance de la table de cuisson et endommager la finition du four ou des pièces de la table de cuisson.

 **AVERTISSEMENT!** Ne recouvrez **JAMAIS** les fentes, trous ou passages situés au bas du four et évitez de recouvrir entièrement une grille avec des matériaux tel que le papier d'aluminium. Cela a pour effet de bloquer la circulation d'air à l'intérieur du four et peut causer un empoisonnement à l'oxyde de carbone. Le papier d'aluminium peut également emprisonner la chaleur et causer ainsi un risque d'incendi

- Cet appareil électroménager est destiné à la cuisson. N'utilisez jamais le four ou la table de cuisson pour réchauffer ou chauffer une pièce. Une telle utilisation peut endommager les pièces de la table de cuisson ou du four.
- Durant l'utilisation de la table de cuisson : ne touchez pas les grilles des brûleurs ou les surfaces adjacentes. Ces surfaces peuvent devenir suffisamment chaudes pour provoquer des brûlures.
- Durant l'utilisation du four, évitez de toucher les surfaces intérieures du four, la surface extérieure autour de la porte et la garniture arrière. Les surfaces situées directement au-dessus de la porte du four peuvent être chaudes si le four a fonctionné avec la porte ouverte ou si quelque chose a empêché la porte de se fermer.
- Ne laissez jamais la table de cuisson sans surveillance lorsque vous cuisinez à flamme haute. Un débordement par bouillonnement pourrait produire de la fumée et un déversement graisseux qui pourrait prendre feu. Et, ce qui est plus grave, si les flammes des brûleurs sont étouffées par un débordement important affectant l'allumeur, le gaz non brûlé s'échappera dans la pièce.
- Seuls certains types d'ustensiles en verre, vitrocéramique calorifugée, céramique, poterie ou émaillés sont appropriés pour être utilisés sur la table de cuisson. Certains types d'ustensiles peuvent se briser à la suite de changements de température soudains. Utilisez-les seulement à feu doux ou moyen selon les instructions du fabricant. Il est recommandé d'utiliser des ustensiles de cuisine professionnels.
- Ne chauffez pas de contenant de nourriture fermé car la pression pourrait s'accumuler et le faire exploser.
- Durant la cuisson, réglez la commande du brûleur de sorte que la flamme ne chauffe que le fond du récipient et ne le dépasse jamais. Cela pourrait sinon chauffer ou faire fondre les poignées.
- Servez-vous toujours d'ustensiles à fond plat suffisamment larges pour couvrir les brûleurs. L'utilisation d'ustensiles trop petits risque d'offrir un contact direct à la flamme et de mettre le feu aux vêtements.
- Afin de réduire le risque de brûlures, d'allumage de matériaux inflammables et de déversement involontaire, tournez les poignées des ustensiles vers l'intérieur afin qu'elles ne surplombent pas les surfaces de travail adjacentes, les zones de cuisson et le bord extérieur de la table de cuisson.
- Tenez la poignée du récipient afin d'empêcher tout mouvement de l'ustensile lorsque vous retournez ou remuez la nourriture.

- La graisse est inflammable. Laissez toute graisse chaude refroidir avant d'essayer de la manipuler. Évitez de laisser la graisse s'accumuler autour des brûleurs de la table de cuisson. Nettoyez après chaque utilisation ou déversement.
- Pour assurer un bon allumage et une bonne performance des brûleurs de la table de cuisson, gardez leurs ports dans un état propre. Il peut s'avérer nécessaire de nettoyer ceux-ci en cas de débordement ou lorsque le brûleur ne s'allume pas, même si les allumeurs électroniques cliquent.
- N'utilisez pas le gril pour cuire des viandes ou des produits très gras pouvant alimenter les flammes. N'utilisez pas d'ustensiles de cuisson dans le gril.
- Nettoyez la table de cuisson avec précaution. Évitez de vous brûler à la vapeur : n'utilisez pas d'éponge ou de linge mouillé pour nettoyer l'appareil alors qu'il est encore chaud. Certains produits de nettoyage dégagent des vapeurs nocives au contact d'une surface chaude. Respectez le mode d'emploi du fabricant du produit de nettoyage.
- Assurez-vous que les boutons de la cuisinière ou de la table de cuisson sont fermés et que l'appareil est froid avant d'utiliser des nettoyants aérosol sur l'appareil ou à proximité. L'élément chimique qui produit le jet de vaporisation peut, en présence de chaleur, s'enflammer ou provoquer la corrosion des parties métalliques.
- Placez les grilles de four à la position voulue quand le four est froid. Si vous devez déplacer une grille alors que le four est encore chaud, ne laissez pas les gants isolants toucher l'intérieur chaud du four.
- Faites attention lorsque vous ouvrez la porte du four; laissez s'échapper l'air chaud ou la vapeur avant de retirer ou remplacer les aliments.
- Évitez de frotter, endommager, déplacer ou enlever le joint de la porte, car il est essentiel à l'obtention d'une bonne cuisson. Lavez le joint avec de l'eau chaude seulement.
- Nettoyez fréquemment la hotte et les filtres de ventilation surplombant la cuisinière ou table de cuisson afin d'empêcher toute accumulation de graisse provenant des vapeurs de cuisson. Le filtre peut être nettoyé dans un lave-vaisselle ou un dishdrawer. Respectez le mode d'emploi du fabricant du produit de ventilation en ce qui a trait au nettoyage.
- ÉTEIGNEZ le ventilateur en cas d'incendie ou si vous flambez intentionnellement des liqueurs ou des spiritueux sur la table de cuisson. Si le ventilateur est en marche, il pourrait en effet répandre les flammes.
- ÉVITEZ de bloquer la circulation de l'air de combustion ou de ventilation. Assurez toujours un apport d'air frais.
- Pour des raisons de sécurité et pour ne pas endommager l'appareil, évitez de vous asseoir, de vous tenir debout ou de vous appuyer contre la porte du four ou la surface de cuisson.
- Les réparations doivent être effectuées par des techniciens agréés uniquement. Ceux-ci doivent débrancher le bloc d'alimentation avant de travailler sur l'appareil.



AVERTISSEMENT!

Proposition 65 de la Californie - L'incinération de gaz de cuisson génère des sous-produits considérés par l'État de Californie comme pouvant causer le cancer ou des malformations congénitales. Les lois de Californie exigent que les entreprises avertissent leurs clients qu'ils risquent d'être exposés à de telles substances. Pour minimiser l'exposition à ces substances, faites toujours fonctionner l'appareil conformément aux instructions du fabricant et assurez une bonne ventilation lorsque vous cuisinez au gaz.

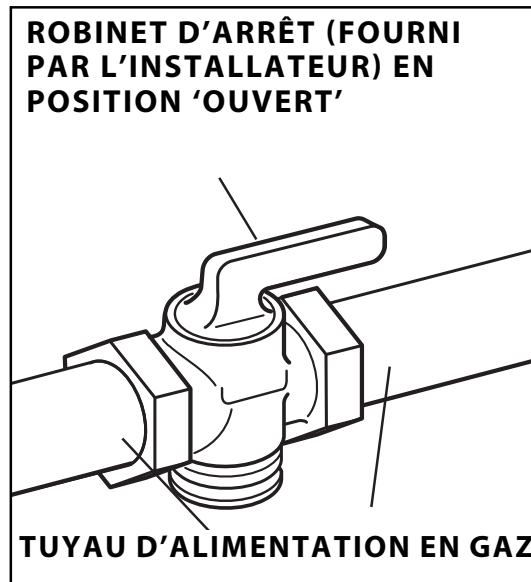
EXIGENCES CONCERNANT LE BRANCHEMENT DU GAZ

- Toutes les connexions d'alimentation en gaz doivent être effectuées par un technicien qualifié conformément aux codes et règlements en vigueur. En l'absence d'une réglementation locale, l'installation doit être conforme à la dernière édition du National Fuel Gas Code ANSI Z223.1. (mise en garde : dans les limites de l'État du Massachusetts, cet appareil doit être installé par un monteur d'installation au gaz ou plombier autorisé).
- Un robinet d'arrêt manuel (fourni par l'installateur) doit être installé dans un endroit accessible de la canalisation externe de l'appareil pour pouvoir ouvrir ou couper l'alimentation en gaz à l'appareil (au Massachusetts, de tels dispositifs doivent être approuvés par le Board of State Examiners of Plumbers & Gas Fitters). Le robinet d'arrêt doit être situé à moins de 6 pieds (1,8 mètres) de l'appareil qu'il sert.

Important!

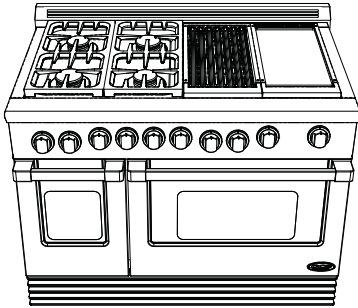
Fisher & Paykel recommande d'installer le robinet d'arrêt manuel dans un endroit facilement accessible par le client pour couper l'alimentation en gaz en cas d'urgence. Cependant, l'appareil ne doit pas être modifié de quelque façon pour adapter à un tel placement.

- La conduite d'alimentation en gaz ne doit pas dépasser l'arrière de l'appareil car ceci empêcherait l'appareil d'être poussé complètement contre le mur.
- Avant de brancher l'appareil, prenez soin de couper le gaz par le robinet d'arrêt.
- La vérification des fuites doit être effectuée conformément aux instructions du fabricant. Voir la section 'Essai et réglages' pour les instructions.

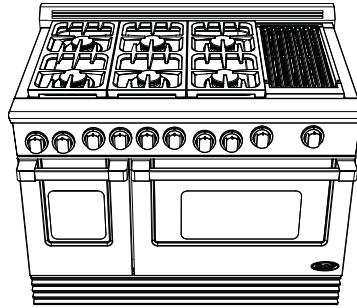


MODÈLES

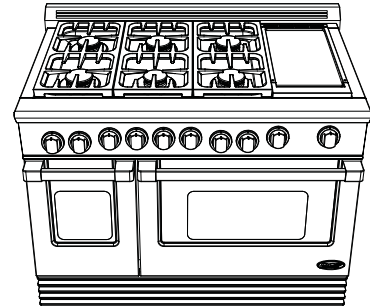
MODÈLES DE CUISINIÈRES 48 PO



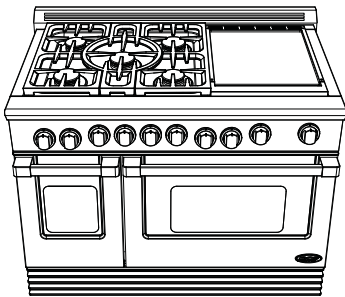
RGU-484GG
RDU-484GG



RGU-486GL
RDU-486GL

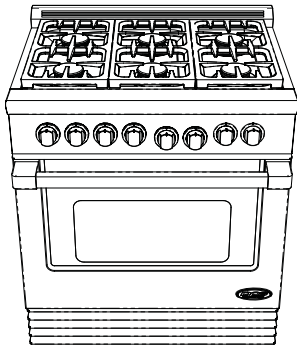


RGU-486GD
RDU-486GD

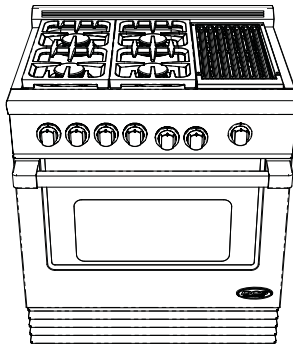


RGU-485GD
RDU-485GD

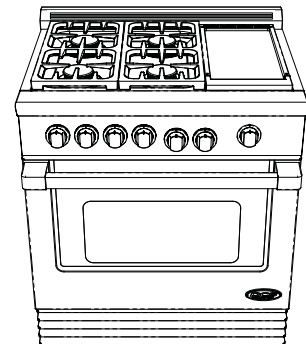
MODÈLES DE CUISINIÈRES 36 PO



RGU-366
RDU-366

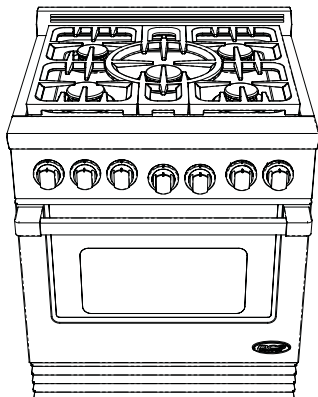


RGU-364GL
RDU-364GL



RGU-364GD
RDU-364GD

MODÈLES DE CUISINIÈRES 30 PO



RGU-305
RDU-305
RGUC-305

INFORMATIONS IMPORTANTES CONCERNANT L'INSTALLATION

La cuisinière a été testée conformément à la norme ANSI Z21.1 pour les appareils électroménagers domestiques de cuisson à gaz.

La cuisinière doit être installée avec une hotte de ventilation suspendue appropriée. (Voir la section 'Exigences en matière de ventilation'). Étant donnée la puissance de feu professionnelle élevée de cet appareil, faites particulièrement attention à l'installation de la hotte et de ses conduites de manière à respecter les codes du bâtiment en vigueur. Afin d'éliminer les risques de brûlures ou d'incendie qui peuvent se produire lorsqu'on s'étire au-dessus d'appareils aux surfaces chauffantes, évitez de placer des armoires de cuisine au-dessus de l'appareil.

Vous devez installer l'un des deux dosserets muraux disponibles si le dégagement entre les matériaux combustibles et le bord arrière de la cuisinière (au-dessus de la surface de cuisson) est inférieur à 30,5 cm/12 po (voir la section 'Installation du dosseret').

- Toutes les cuisinières possèdent une garniture d'îlot intégrale standard de 3-1/2 po (8,9 cm).
- Les modèles RGU sont livrées avec un dosseret ordinaire BGRU-12xx assorti.
- Dosserets pour les modèles RDU et RGUC sont vendus séparément.

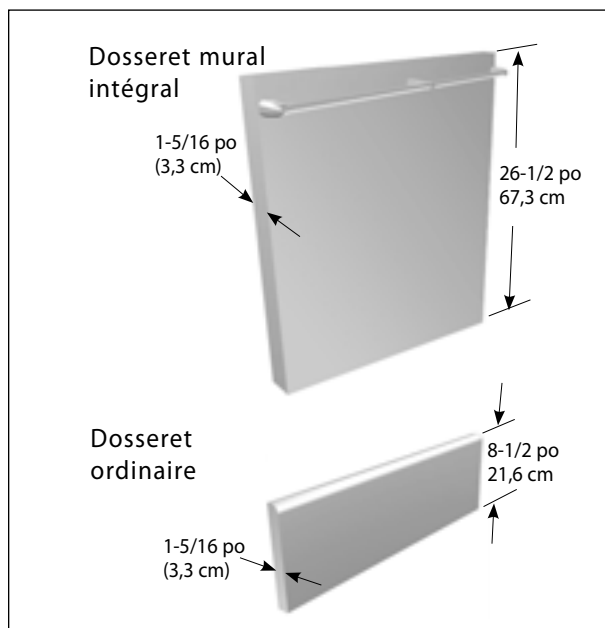


Fig. 1 Dosserets

	Numéro de modèle	
	Dosseret ordinaire	Dosseret intégral
Cuisinière 48 po	BGRU-1248	BGRU-3048
Cuisinière 36 po	BGRU-1236	BGRU-3036
Cuisinière 30 po	BGRU-1230	BGRU-3030

Consultez les codes du bâtiment en vigueur concernant la méthode à suivre pour installer la cuisinière. Les codes peuvent varier d'une région à l'autre. L'installation, les connexions électriques et la mise à la terre doivent être conformes à tous les codes en vigueur. En l'absence de tels codes, l'appareil doit être installé conformément à la norme ANSI Z223.1 du National Fuel Gas Code et la norme 70 ANSI/NFPA du National Electrical Code.

Assurez-vous que l'appareil installé est réglé selon le type de gaz utilisé. La cuisinière à gaz est réglée en usine pour fonctionner au gaz naturel ou propane selon le modèle spécifique commandé. **Avant d'aller plus loin, vérifiez que la cuisinière est compatible avec le gaz du site où elle doit être installée.** Renvoyez la cuisinière au distributeur si elle n'est pas réglée pour fonctionner avec le gaz du site.

PLANIFICATION DE L'INSTALLATION

35

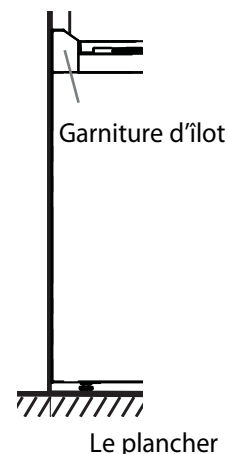
US
CA
(FR)

L'ORDRE DE L'INSTALLATION RECOMMANDÉ

1. Positionnez la cuisinière et mettez-la de niveau conformément aux instructions d'installation.

Les étapes 2, 3, et 4 sont seulement pertinentes si vous installez un dossier mural intégral.

2. Mesurez la distance entre le plancher et le haut de la garniture d'îlot de la cuisinière en ajoutant 6,5 mm (1/4 po) de dégagement pour le dossier.
 3. Reportez cette mesure au mur. Ceci indique le bas du dossier.
 4. Mesurez sur le mur, à partir de cette ligne, 66,7 cm (26-1/4 po) dans le sens de la hauteur pour indiquer la limite supérieure du dossier de 30 po. Ceci constitue la hauteur minimum à laquelle le bas de la hotte de ventilation peut être installé.
5. Suivez les instructions du fabricant de la hotte pour installer celle-ci.
 6. Suivez les instructions du dossier pour installer celui-ci.
 7. Effectuez les connexions à gaz et électriques, puis glissez la cuisinière pour la mettre à sa place.



REMARQUE :

Un robinet d'arrêt d'alimentation en gaz doit être installé. Voir la section 'Branchement du gaz'.

DÉBALLAGE ET MANIPULATION

⚠ MISE EN GARDE!



420-630 lb
190-285 kg

Extrêmement Lourd

Utilisez un équipement approprié et un nombre de personnes suffisant pour déplacer la cuisinière afin d'éviter des blessures ou d'endommager l'appareil ou le plancher. L'appareil est lourd et repose sur des pieds en acier ajustables.

Le non-respect de cette consigne peut entraîner des dommages ou des blessures.



AVERTISSEMENT :

ÉVITEZ de soulever la cuisinière par les poignées de la porte du four ou la poignée du ramasse-gouttes!!!



AVERTISSEMENT :

ÉVITEZ de retirer le gril ou les ensembles de plaque chauffante!!!

DÉPLACEMENT ET PLACEMENT DE LA CUISINIÈRE

Le poids à l'expédition des cuisinières varie de 190 à 285 kg (420 à 630 lb) dont il faut déduire environ 23 kg (50 lb) une fois le matériel d'emballage retiré. Il est recommandé d'enlever la ou les portes, les grilles et le panneau de seuil de porte afin de réduire le poids de l'appareil, ce qui facilite sa manipulation.

Il peut s'avérer nécessaire de retirer la ou les porte(s) du four pour passer par certaines portes du bâtiment. Une fois la ou les porte(s) sont enlevés, l'appareil peut passer par une ouverture de 75 cm (29-1/2 po). Si la porte n'est pas retirée, l'ouverture doit mesurer 81,3 cm (32 po). Retirez le carton extérieur et le matériel d'emballage de la base de transport.

DÉPLACEMENT ET POSITIONNEMENT DE LA CUISINIÈRE (SUITE)

Installez le dispositif antibasculement (voir la section 'Installation du dispositif antibasculement' pour obtenir des instructions). La cuisinière professionnelle doit être transportée par chariot jusqu'à son emplacement final. Pour retirer le chariot, faites pencher l'appareil vers l'arrière en le soutenant sur ses pieds arrière. Veuillez à protéger le plancher (parquet en lames, tapis, panneaux, etc.) sous les pieds avant de pousser l'appareil sur son emplacement.

Effectuez les connexions électriques et à gaz (voir les sections 'Connexions électriques' et 'Branchement du gaz') avant de glisser la cuisinière dans l'ouverture de l'armoire. Si vous installez un dossier intégral avec la cuisinière, faites-le avant de placer la cuisinière dans sa position finale (voir les sections 'Planification de l'installation' et 'Installation du dossier'). La cuisinière professionnelle doit être de niveau pour bien fonctionner. Le plancher dans l'ouverture des armoires doit être au même niveau que le plancher situé devant les armoires. Si vous voulez que l'appareil affleure parfaitement les comptoirs adjacents, il est impératif que les armoires soient de niveau (de l'avant à l'arrière et de gauche à droite sur toute la largeur de la cuisinière). Après avoir vérifié que les comptoirs sont de niveau et avant de mettre la cuisinière à sa place, mesurez la distance entre le plancher et le dessus de la surface de travail du comptoir, aux coins arrière gauche et droit. Ajustez les coins arrière correspondants de la cuisinière afin qu'ils soient à une hauteur égale par rapport au comptoir car les pieds d'inclinaison arrière de l'appareil ne sont plus accessibles une fois la cuisinière mise en place. Une fois la cuisinière à sa place, les pieds d'inclinaison avant demeurent accessibles afin de pouvoir mettre l'avant de la cuisinière de niveau. Remplacez le panneau de seuil de porte et la porte du four en inversant la procédure décrite plus bas. Il est essentiel que les deux vis retenant le panneau de seuil de porte soient bien fixées afin d'éviter tout accès accidentel à des composants et fils électriques sous tension (Fig. 2a).

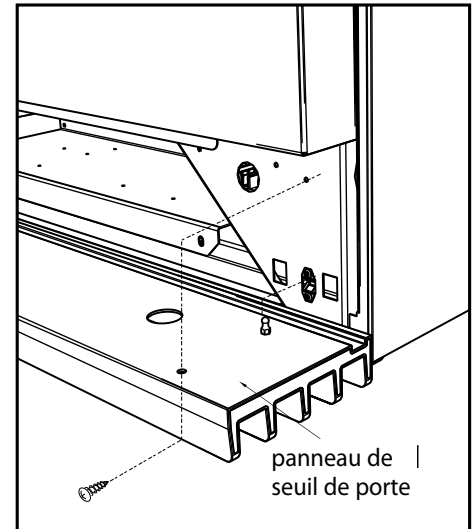


Fig. 2a

Pour retirer le panneau de seuil de porte :

Enlevez les deux vis du haut et en tirant vers vous. La cuisinière est retenue sur la plateforme par deux boulons (modèles RGU et RDU) ou par supports en L (modèles RGUC) à l'avant, derrière le panneau de seuil de porte, et deux supports en L situés sur la bride inférieure à l'arrière de la cuisinière (Fig. 2b). Une fois les boulons et les supports retirés, soulevez la cuisinière et dégagez-la de la plateforme.

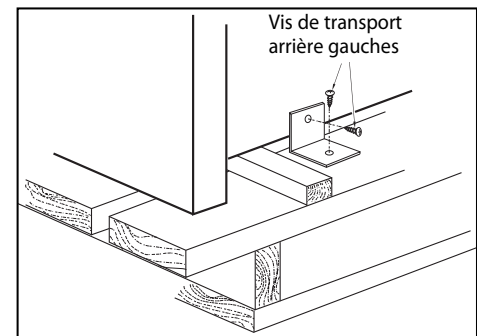


Fig. 2b

Étant donné le poids de l'appareil, déplacez-le à l'aide d'un chariot à roues à bandage souple. Le poids doit être supporté de manière uniforme sur toute la partie inférieure (Fig. 3).

MISE EN GARDE: (MODELES RGUC SEULEMENT)

Avant d'utiliser la cuisinière prenez soin de retirer l'espaceur de transport du grilloir (voir Fig. 4)

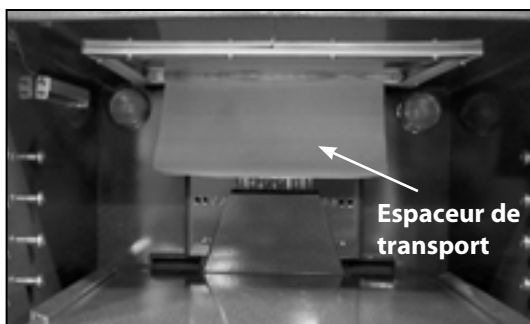


Fig. 4

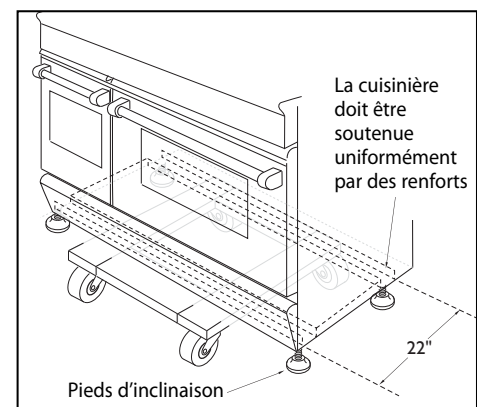


Fig. 3

Retrait de la porte du four

AVERTISSEMENT!

Évitez de soulever la porte du four par la poignée, vous pourriez l'endommager! Assurez-vous que le four et la porte sont froids avant de retirer la porte!

1. Ouvrez la porte complètement (Fig. 5a).
2. Déverrouillez les charnières de la porte en tournant le verrou vers l'avant (Fig. 5b)
3. Une fois les deux charnières débloquées, fermez doucement la porte de moitié environ. Saisissez les côtés de la porte et soulevez doucement vers le haut et légèrement vers l'avant : la porte se dégage de la charnière.
4. Continuez à soulever et à tirer la porte à l'écart de la cuisinière.

Installation de la porte du four

1. Positionnez la porte de sorte qu'elle soit ouverte à moitié environ.
2. Placez tout simplement la languette de la charnière dans les fentes de la charnière (voir Fig. 6a).
3. Enfoncez la porte dans les fentes jusqu'à ce que vous sentiez celles-ci emboîtées dans les verrous.
4. Ouvrez la porte complètement et faites pivoter les verrous en position fermée (Fig. 6b).
5. Fermez la porte du four.



Fig. 5a Charnière de four

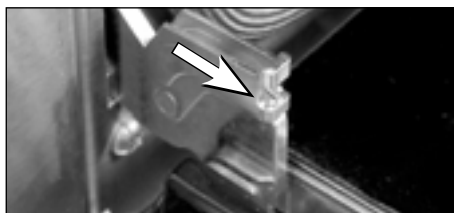


Fig. 5b Clip de retenue de charnière en position déverrouillée



Fig. 6a Charnière

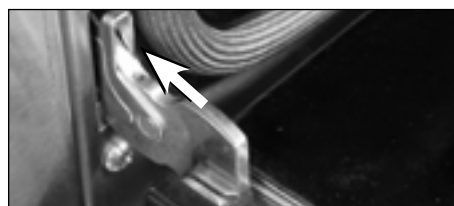


Fig. 6b Clip de retenue de charnière en position verrouillée

38 EXIGENCES EN MATIÈRE DE VENTILATION

US
CA
(FR)

Vous devez installer une hotte à évacuation appropriée au-dessus de la cuisinière. Le tableau suivant indique la capacité minimum du ventilateur recommandée pour aérer la hotte.

Appareil de ventilation	Recommandations concernant l'installation d'un comptoir standard	Recommandations concernant l'installation en îlot
HOTTE	prof. 61 cm/24 po x larg. de l'appareil	prof. 76 cm/30 po x 91 cm/36 po au bas
VENTILATEUR	Cuisinière 48 po 1200 PI3/MIN	1200 PI3/MIN
	Cuisinière 36 po* 600-1200 PI3/MIN	600-1200 PI3/MIN
	Cuisinière 30 po 600 PI3/MIN	600 PI3/MIN

* Dans le cas de l'installation d'une cuisinière 36 po doté d'un gril (modèles GL) un appareil de ventilation d'une capacité de 1200 pi3/m est requis.

MISE EN GARDE :

les hottes et les ventilateurs sont conçus pour être utilisés avec des conduits à paroi simple. Il se peut toutefois que certains codes du bâtiment ou inspecteurs locaux exigent des parois doubles et/ou un registre. Consultez les codes du bâtiment ou organismes locaux avant de commencer, afin de vous assurer que l'installation de la hotte et des conduits est conforme aux normes en vigueur.

La vitesse du ventilateur de la hotte doit être variable afin de permettre de réduire le niveau de bruit ainsi que la perte d'air chauffé ou conditionné lorsqu'une ventilation maximum n'est pas requise. La vitesse maximum du ventilateur n'est normalement requise que lorsqu'on utilise le gril ou le cycle autonettoyant.

Pour évacuer la fumée de façon optimale, le bord inférieur de la hotte doit être installé à un minimum de 76 cm (30 po) et un maximum de 91,5 cm (36 po) au-dessus de la surface de cuisson de la cuisinière (voir la section 'Préparation des armoires'). Si la hotte contient des matériaux combustibles (un revêtement en bois par ex.), placez-la à au moins 91,5 cm (36 po) au-dessus de la surface de cuisson.

Il est recommandé d'assurer une source d'air frais à cause du volume élevé d'air de ventilation. Ceci est particulièrement important pour les résidences très isolées. Consultez un spécialiste en chauffage et aération réputé.

Un dispositif antibasculement doit être installé correctement sur toutes les cuisinières conformément aux instructions suivantes. Si vous devez retirer la cuisinière du mur pour quelque raison que ce soit, veillez à bien la remettre en place lorsque vous la repoussez contre le mur. Elle risque sinon de basculer et de blesser quelqu'un si vous ou un enfant vous tenez debout, vous asseyez ou vous appuyez contre une porte de four ouverte.

PIÈCES INCLUSES :

(4) vis à bois no. 10 x 2 po, (1) support antibasculement et des instructions d'installation.

INSTALLATION DU KIT :

Ces instructions s'appliquent à des planchers de bois ou en ciment. Tout autre type de matériau peut exiger des techniques d'installation spéciales visant à assurer la bonne fixation du support antibasculement au plancher et au mur. Le support ne peut empêcher le basculement de la cuisinière s'il n'est pas installé correctement.

CONSTRUCTION EN BOIS :

Placez le support contre le mur arrière, au coin arrière droit où doit être placée la cuisinière. Laissez un espace entre le mur (ou paroi latérale de la cuisinière) et le support (voir Fig. 8). Percez (2) trous de guidage de 3 mm (1/8 po) de diamètre au centre des petits trous. Servez-vous d'un clou ou d'un poinçon si vous ne disposez pas d'une perceuse. Fixez solidement le support au plancher et au mur.

CONSTRUCTION EN BÉTON OU EN CIMENT :

Matériel requis :

(2) ancrs à douille de sécurité, tire-fonds et rondelles (non fournis).

Placez le support tel que décrit ci-dessus. Percez les trous selon les dimensions indiquées pour la quincaillerie. Installez les ancrs à douille de sécurité dans les trous, puis passez les tire-fonds dans le support. Les tire-fonds doivent être correctement serrés tel que recommandé pour la quincaillerie. Fixez solidement le support au plancher et au mur.

UNE FOIS INSTALLÉ :

Effectuez l'installation de la cuisinière conformément aux instructions fournies avec le produit. Vérifiez la bonne installation de la cuisinière et du dispositif antibasculement en saisissant l'arrière de l'appareil et en essayant de l'incliner avec précaution vers l'avant.

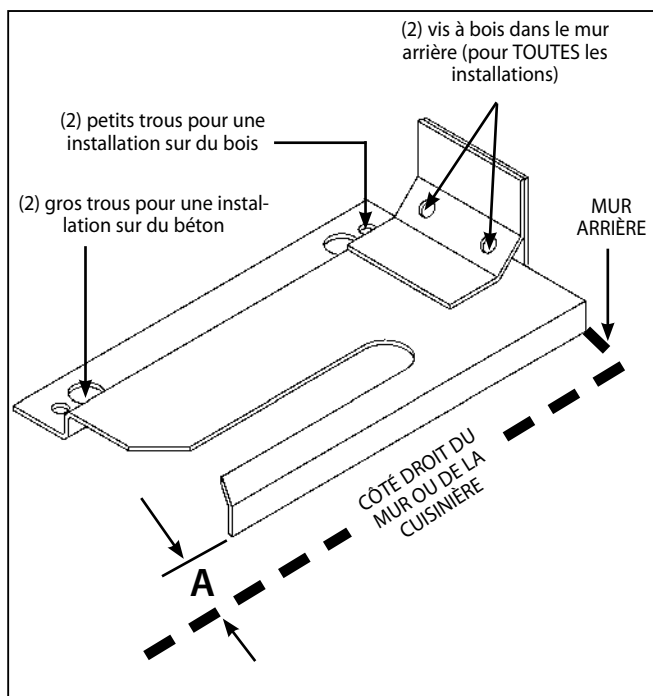


Fig. 8

Série de modèles	RGU-48, RDU-48 RGU-36, RDU-36 RGU-30, RDU-30	RGUC-30
A	1,3 cm (1/2 po)	1,6 cm (5/8 po)



Fig. 9

1. La cuisinière est un appareil indépendant. Respectez les mesures de dégagement indiquées aux schémas suivants si vous comptez la placer à côté d'armoires de cuisine. Les mêmes dégagements s'appliquent à une installation en îlot.
2. La cuisinière peut être placée de diverses façons par rapport au devant de l'armoire, le cadre avant affleurant ou dépassant le comptoir, selon la profondeur de celui-ci.
3. La source d'alimentation en gaz ou électrique doit se trouver dans les zones indiquées aux schémas suivants.
4. Un robinet d'arrêt manuel (fourni par l'installateur) doit être installé dans un endroit accessible de la canalisation externe de l'appareil pour pouvoir ouvrir ou couper l'alimentation en gaz à l'appareil (au Massachusetts, de tels dispositifs doivent être approuvés par le Board of State Examiners of Plumbers & Gas Fitters). Le robinet d'arrêt doit être situé à moins de 6 pieds (1.8 mètres) de l'appareil qu'il sert.

Important!

Fisher & Paykel recommande d'installer le robinet d'arrêt manuel dans un endroit facilement accessible par le client pour couper l'alimentation en gaz en cas d'urgence. Cependant, l'appareil ne doit pas être modifié de quelque façon pour adapter à un tel placement.

5. La profondeur maximum des armoires suspendues de chaque côté de la hotte est de 33 cm (13 po).
6. Toute ouverture dans le mur derrière la cuisinière et dans le plancher sous la cuisinière doit être scellée.
7. Si le dégagement entre les matériaux combustibles et le bord arrière de la cuisinière (au-dessus de la surface de cuisson) est inférieur à 30,5 cm (12 po), un dossier ordinaire ou intégral doit être installé. Si le dégagement est supérieur à cela, pas besoin de dossier. Les modèles RGU sont livrées avec un dossier ordinaire BGRU-12xx assorti. Dossierets pour les modèles RDU et RGUC doivent être commandé séparément (voir la section 'Planification de l'installation'). Voir la figure 13 pour une illustration de chaque option d'installation.
8. Gardez toujours la zone entourant l'appareil dégagée et exempte de matériaux combustibles, d'essence et autres vapeurs et liquides inflammables.
9. Évitez d'obstruer le flot d'air de combustion et de ventilation dirigé vers l'appareil.
10. Le niveau des surfaces horizontales de la garniture de la cuisinière (table de cuisson) ne doit pas être inférieur au niveau du comptoir.

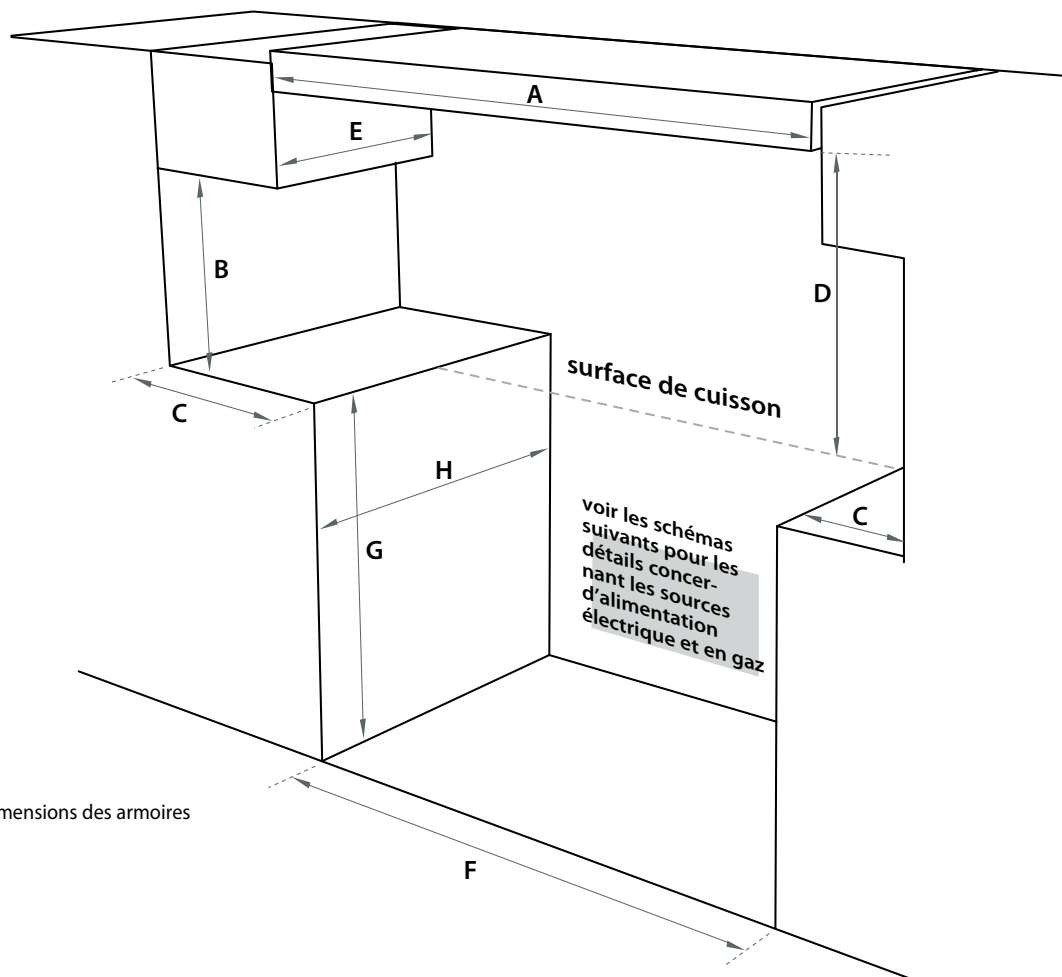


Fig. 10 Dimensions des armoires

Dimensions des armoires		RGU-48 RDU-48	RGU-36 RDU-36	RGU-30 RDU-30 RGUC-30
A	largeur minimale de la hotte à évacuation installée au-dessus de la cuisinière	122 cm (48 po)	91,5 cm (36 po)	76,2 cm (30 po)
B	distance verticale minimale entre le comptoir et une armoire au-dessus du comptoir	45,7 cm (18 po)	45,7 cm (18 po)	45,7 cm (18 po)
C	dégagement minimal entre les côtés gauche et droit de la cuisinière et la surface combustible verticale la plus proche	30,5 cm (12 po)	30,5 cm (12 po)	30,5 cm (12 po)
D	dégagement minimal entre la surface de cuisson et: - une construction combustible centrée au-dessus de la surface de cuisson - une surface incombustible centrée au-dessus de la surface de cuisson	91,5 cm (36 po)	91,5 cm (36 po)	91,5 cm (36 po)
		76,2 cm (30 po)	76,2 cm (30 po)	76,2 cm (30 po)
E	profondeur hors tout maximale des armoires suspendues	33 cm (13 po)	33 cm (13 po)	33 cm (13 po)
F	largeur de l'ouverture des armoires	122 cm (48 po)	91,5 cm (36 po)	76,2 cm (30 po)
G	hauteur maximale entre le plancher et la surface du comptoir: - pour un comptoir de niveau - avec pieds d'inclinaison de cuisinière sortis entièrement	90,8 cm (35-3/4 po)	90,8 cm (35-3/4 po)	90,8 cm (35-3/4 po)
		93,3 cm (36-3/4 po)	93,3 cm (36-3/4 po)	93,3 cm (36-3/4 po)
H	profondeur maximale entre le mur et le devant de l'armoire	63,5 cm (25 po)	63,5 cm (25 po)	63,5 cm (25 po)

EMPLACEMENT DES SOURCES D'ALIMENTATION EN GAZ ET ÉLECTRIQUE - MODÈLES RGU ET RGUC

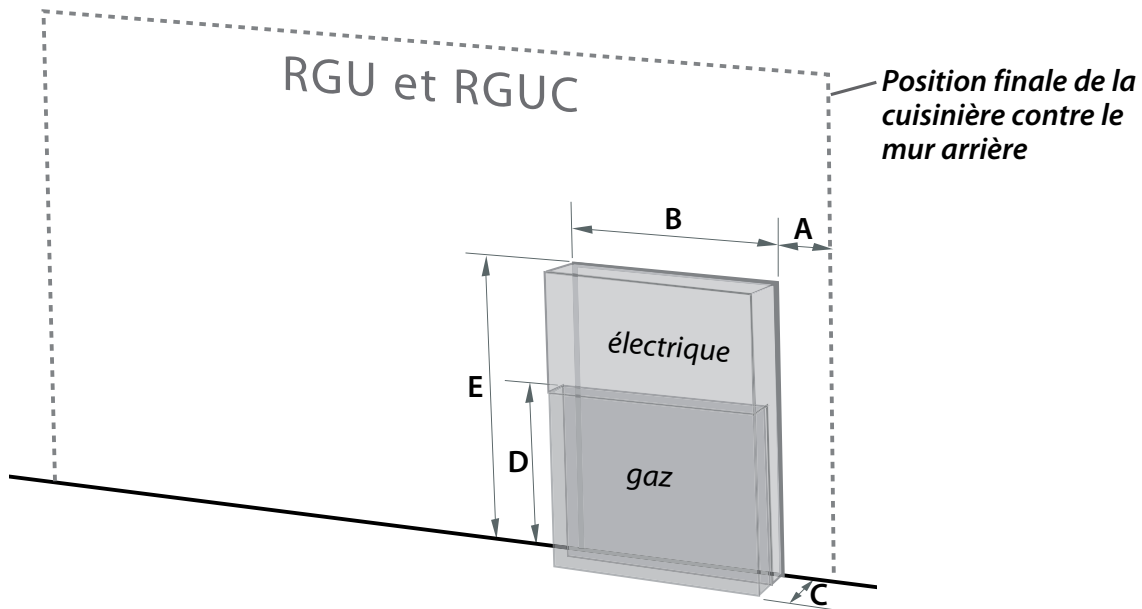


Fig. 11 Emplacement des sources d'alimentation en gaz et électrique - modèles RGU et RGUC

Dimensions des zones de sources d'alimentation		RGU	RGUC
A	distance entre le côté droit de la cuisinière et la zone pour les sources d'alimentation	3,8 cm (1-1/2 po)	3,8 cm (1-1/2 po)
B	largeur des zones des sources d'alimentation	15,2 cm (6 po)	22,9 cm (9 po)
C	profondeur des zones de sources d'alimentation (c.-à-d. protubérance maximum du mur pour l'alimentation en gaz)	5,1 cm (2 po)	5,1 cm (2 po)
D	hauteur de la zone d'alimentation en gaz (mesurée à partir du plancher)	30,5 cm (12 po)	11,4 cm (4-1/2 po)
E	hauteur de la zone d'alimentation électrique (mesurée à partir du plancher)	48,3 cm (19 po)	27,9 cm (11 po)

EMPLACEMENT DES SOURCES D'ALIMENTATION EN GAZ ET ÉLECTRIQUE - MODÈLES RDU

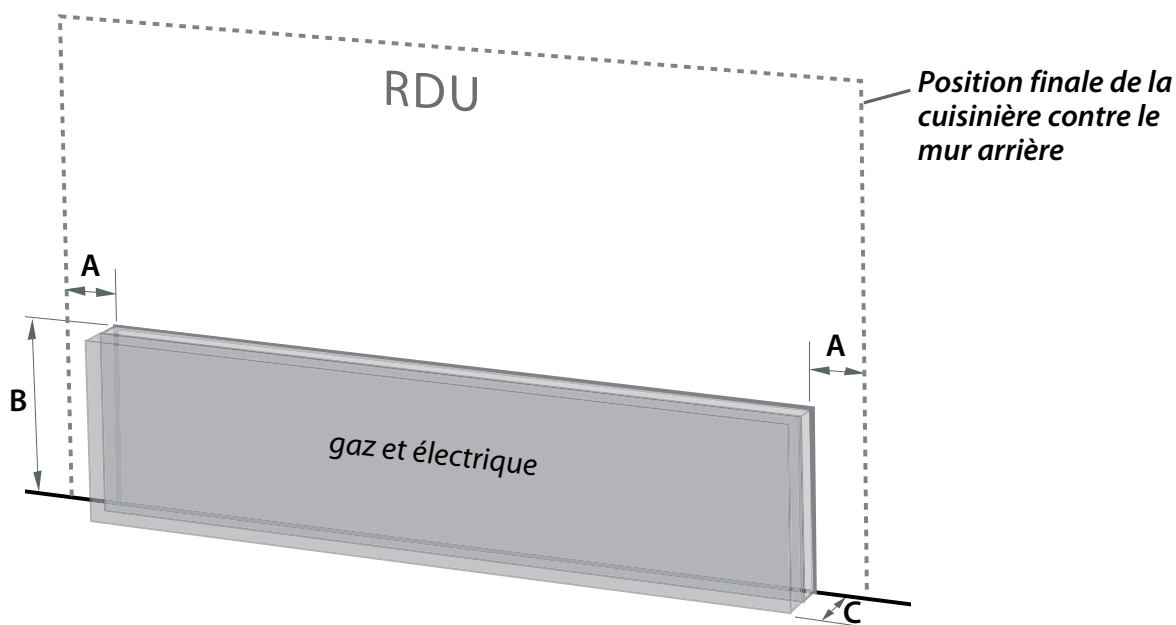
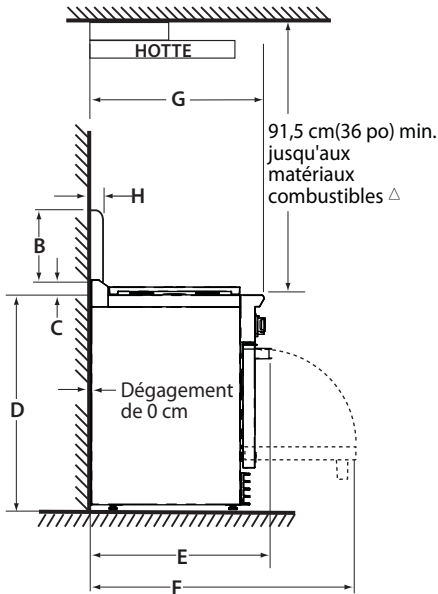


Fig. 11 Emplacement des sources d'alimentation en gaz et électrique - modèles RDU

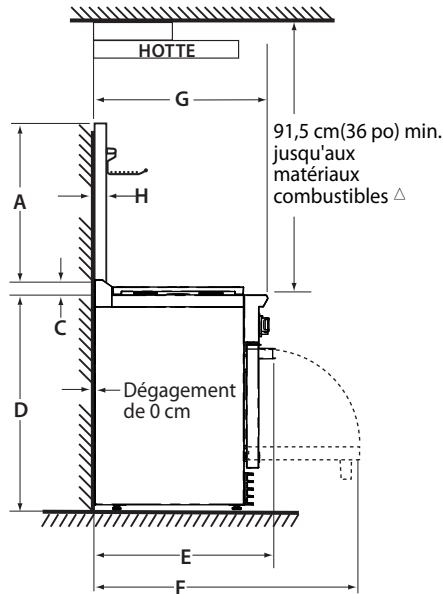
Dimensions des zones de sources d'alimentation		RDU
A	distance entre les côtés de la cuisinière et la zone pour les sources d'alimentation	3,8 cm (1-1/2 po)
B	hauteur des zones d'alimentation en gaz et électrique (mesurée à partir du plancher)	15,2 cm (6 po)
C	profondeur des zones de sources d'alimentation (c.-à-d. protubérance maximum du mur pour l'alimentation en gaz)	5,1 cm (2 po)

Installation standard :

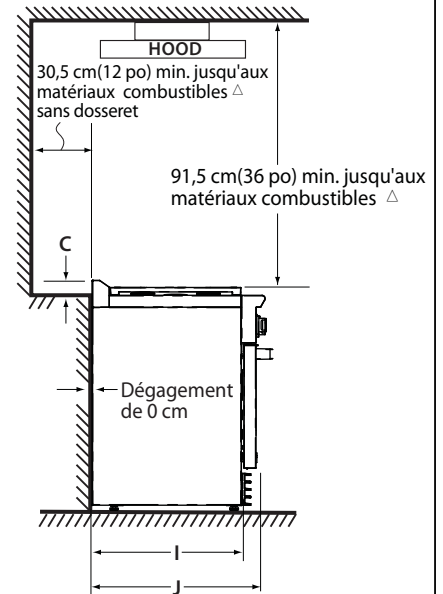
utilisant le dossier ordinaire approprié:
modèle BGRU-1248, BGRU-1236, ou BGRU-1230

**Installation utilisant le dossier mural intégral**

utilisant le dossier mural intégral approprié: modèle BGRU-3048, BGRU-3036, ou BGRU-3030

**Installation en îlot :**

utilisant la garniture d'îlot intégrale seulement



△ Tel que défini dans le
« National Fuel Gas Code »
(norme ANSI Z223.1, dernière édition).

Le niveau des surfaces horizontales de la garniture de la cuisinière (table de cuisson) ne doivent pas être inférieures au niveau du comptoir.

HAUTEURS ET PROFONDEURS
(identiques pour tous les modèles)

- A = 67,3 cm (26-1/2 po)
- B = 21,6 cm (8-1/2 po)
- C = 8,9 cm (3-1/2 po)
- D = de 90,8 cm min. à 93,3 cm max. (de 35-3/4 po min. à 36-3/4 po max.)
- E = 76,8 cm (30-1/4 po)
- F = 118,6 cm (46-11/16 po)
- G = 73,7 cm (29 po)
- H = 3,3 cm (1-5/16 po)
- I = 63,5 cm (25 po)
- J = 69,9 cm (27-1/2 po)

Important!

Si vous utilisez la garniture d'îlot seulement, un dégagement de 12 po (30,5 cm) est requis entre l'arrière de la cuisinière et une surface combustible (au-dessus de la surface de cuisson). Si le dégagement est moins de 12 po (30,5 cm), le mur derrière la cuisinière doit être non-combustible et fait d'un matériel résistant à la chaleur.

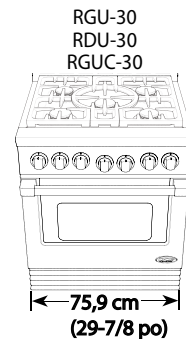
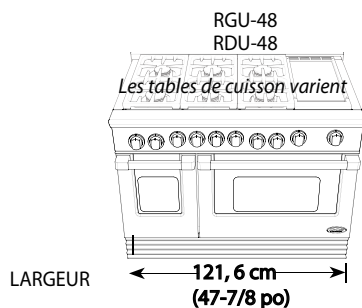


Fig. 13 Dimensions du produit et dégagements

Placez le dossier tel qu'indiqué à la fig. 14. Fixez-le à la cuisinière (dossier ordinaires) ou au mur derrière la cuisinière (dossier intégraux). Chaque dossier (intégral ou ordinaire) est fourni avec ses instructions d'installation. Voir aussi section de « Planification de l'installation ». Le dossier doit être installé lorsque le dégagement entre les matériaux combustibles et l'arrière de la cuisinière (au-dessus de la surface de cuisson) est inférieur à 30,5 cm (12 po). Voir Fig. 13.

Les modèles RGU sont livrés avec un dossier ordinaire assorti. Dossier DCS pour les modèles RDU et RGUC sont vendus séparément.

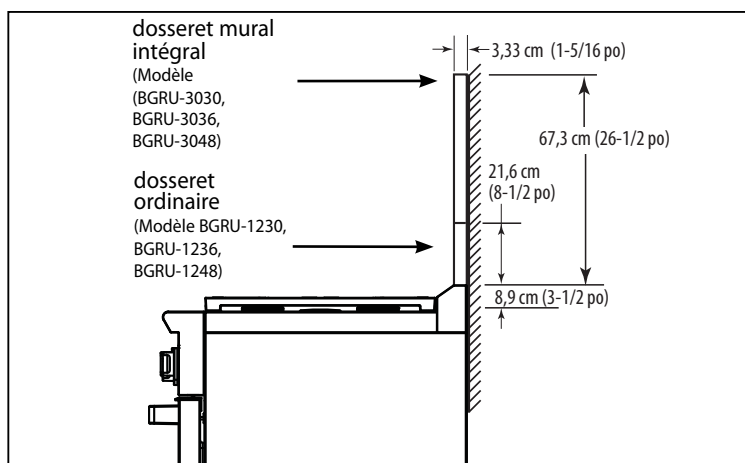
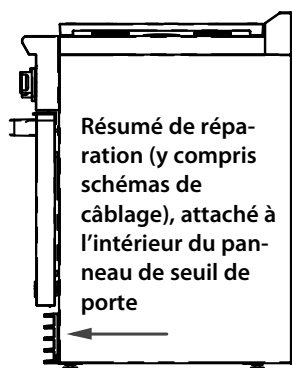


Fig. 14

CONNEXIONS ÉLECTRIQUES



L'étiquette signalétique est située sur l'arrière de la cuisinière.

Une étiquette du schéma de câblage est attaché au panneau arrière de la cuisinière.

Important!

Débranchez toujours le cordon d'alimentation électrique de la prise murale ou coupez le courant avant de manipuler l'appareil. Respectez tous les codes et réglementations en vigueur concernant la mise à la terre. S'il n'y a pas, respectez la norme ANSI/NFPA No. 70 du National Electrical Code (Code national de l'électricité).

CONNEXIONS ÉLECTRIQUES – MODÈLES RGU ET RGUC

Assurez une alimentation électrique de 120 V c.a. correctement polarisé, 60 Hz, courant monophasé, sur un circuit approprié pour le tirage de courant maximal du modèle, comme détaillé dans la table ci-dessous. Veuillez vérifier le tirage de courant de votre modèle, déclaré dans l'étiquette signalétique sur l'arrière de la cuisinière.

MODÈLE	TIRAGE DE COURANT MAXIMAL	CIRCUIT À UTILISER
RGU-305	5 amp	15 amp
RGU-364GD	8 amp	15 amp
RGU-364GL	8 amp	15 amp
RGU-366	5 amp	15 amp
RGU-484GG	15 amp	15 amp
RGU-485GD	15 amp	15 amp
RGU-486GD	12 amp	15 amp
RGU-486GL	12 amp	15 amp
RGUC-305	5 amp	15 amp

MÉTHODE DE MISE À LA TERRE REQUISE – MODÈLES RGU & RGUC

Cet appareil est équipé d'un cordon d'alimentation à fiche bipolaire avec terre dotée de lames parallèles polarisées. La fiche doit être branchée dans une prise avec mise à la terre correspondante connectée à un circuit correctement polarisé de 120 V. Si le circuit ne possède pas ce genre de prise, l'installateur ou l'utilisateur a la responsabilité et le devoir de faire remplacer, par un technicien qualifié, la prise existante par une prise polarisée correctement mise à la terre conformément aux codes et réglementations en vigueur. En l'absence de tels codes et réglementations, le remplacement de la prise doit être effectué conformément au National Electrical Code (Code national de l'électricité).

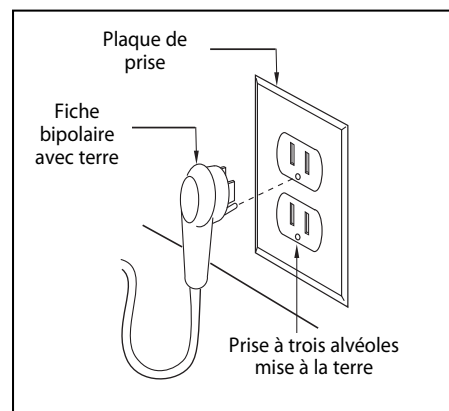


Fig. 15a Branchement de la cuisinière à l'alimentation électrique – Modèles RGU et RGUC

Remarque:

La troisième broche de terre ne doit EN AUCUN CAS être coupée ou enlevée.

CONNEXIONS ÉLECTRIQUES – MODÈLES RDU

Assurez une alimentation électrique de 120/240 V, à 3 fils (plus la terre), 60 Hz, courant monophasé, sur un circuit approprié pour le tirage de courant maximal du modèle, comme détaillé dans la table ci-dessous. Veuillez vérifier le tirage de courant de votre modèle, déclaré sur l'étiquette signalétique sur l'arrière de la cuisinière. La prise de courant doit être de type NEMA 14-50 compatible avec la fiche tripolaire avec terre fournie avec l'appareil. La source d'alimentation en gaz ou électrique doit se trouver dans les zones indiquées à la Fig. 12.

MODÈLE	TIRAGE DE COURANT MAXIMAL	CIRCUIT À UTILISER
RDU-305	18 amp	30 amp
RDU-364GD	21 amp	30 amp
RDU-364GL	21 amp	30 amp
RDU-366	18 amp	30 amp
RDU-484GG	40 amp	50 amp
RDU-485GD	40 amp	50 amp
RDU-486GD	36 amp	50 amp
RDU-486GL	36 amp	50 amp

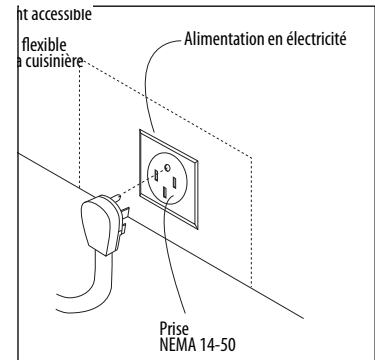


Fig.15b Branchement de la cuisinière à l'alimentation électrique – Modèles RDU

MÉTHODE DE MISE À LA TERRE REQUISE – MODÈLES RDU

Cet appareil est équipé d'un cordon d'alimentation à fiche tripolaire avec terre. La fiche doit être branchée dans une prise avec mise à la terre correspondante connectée à un circuit correctement polarisé de 120/240 V. Si le circuit ne possède pas ce genre de prise, l'installateur ou l'utilisateur a la responsabilité et le devoir de faire remplacer, par un technicien qualifié, la prise existante par une prise polarisée correctement mise à la terre conformément aux codes et réglementations en vigueur. En l'absence de tels codes et réglementations, le remplacement de la prise doit être effectué conformément au National Electrical Code (Code national de l'électricité).

REMARQUE :

La quatrième broche (broche ronde de mise à la terre) ne doit en aucun cas être coupée ou enlevée.

⚠ AVERTISSEMENT!

Étant donné sa conception, la cuisinière exige que l'alimentation électrique soit dotée d'un conducteur de terre distinct (système à 4 fils). Si cette cuisinière doit être connectée à un système électrique qui utilise un conducteur simple pour la mise à la terre et le conducteur neutre (système à 3 fils), il faut alors connecter le cavalier de terre sur la plaque à bornes. Le cavalier de terre est situé derrière le panneau de protection frontal.

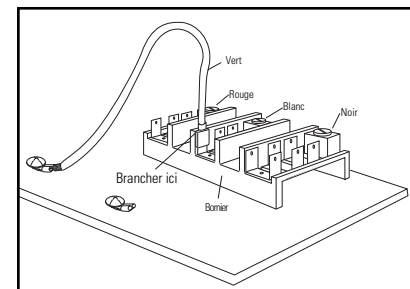


Fig. 16 Plaque à bornes RDU

Pour brancher le cavalier de terre:

- Débranchez l'attache retenant le cavalier.
- Branchez le cavalier vert à la borne ouverte sur la partie neutre (blanche) de la borne (Fig. 16).

EXIGENCES CONCERNANT LE GAZ

Vérifiez le type de gaz alimentant le site. La cuisinière à gaz est réglée en usine pour fonctionner au gaz naturel ou propane selon le modèle spécifique commandé. **Avant d'aller plus loin, vérifiez que la cuisinière est compatible avec l'alimentation en gaz du site où elle doit être installée.** Renvoyez la cuisinière au distributeur si elle n'est pas réglée pour fonctionner avec l'alimentation en gaz du site.

GAZ NATUREL

- Connexion : 1/2 NPT avec conduite flexible de 5/8 po de diamètre minimum.
- Pression d'alimentation : 6 ~ 9 po C.E.

LP GAS

- Connexion : Conduite flexible de 1/2 po NPT de 5/8 po diam. minimum.
- Pression d'alimentation: entre 11 ~ 14 po C.E.

Un régulateur est requis à la source d'alimentation en gaz propane afin d'assurer une pression de gaz de 14 po C.E. maximum au régulateur de la cuisinière.

EXIGENCES CONCERNANT LE BRANCHEMENT DU GAZ

- Toutes les connexions d'alimentation en gaz doivent être effectuées par un technicien qualifié conformément aux codes et règlements en vigueur. En l'absence d'une réglementation locale, l'installation doit être conforme à la dernière édition du National Fuel Gas Code ANSI Z223.1. (mise en garde : dans les limites de l'État du Massachusetts, cet appareil doit être installé par un monteur d'installation au gaz ou plombier autorisé).
- Un robinet d'arrêt manuel (fourni par l'installateur) doit être installé dans un endroit accessible de la canalisation externe de l'appareil pour pouvoir ouvrir ou couper l'alimentation en gaz à l'appareil (au Massachusetts, de tels dispositifs doivent être approuvés par le Board of State Examiners of Plumbers & Gas Fitters). Le robinet d'arrêt doit être situé à moins de 6 pieds (1.8 mètres) de l'appareil qu'il sert.

Important!

Fisher & Paykel recommande d'installer le robinet d'arrêt manuel dans un endroit facilement accessible par le client pour couper l'alimentation en gaz en cas d'urgence. Cependant, l'appareil ne doit pas être modifié de quelque façon pour adapter à un tel placement.

- La conduite d'alimentation en gaz ne doit pas dépasser l'arrière de l'appareil.
- Avant de brancher l'appareil, prenez soin de couper le gaz par le robinet d'arrêt.
- La vérification des fuites doit être effectuée conformément aux instructions du fabricant. Voir la section 'Essai et réglages' pour les instructions.
- L'appareil doit être isolé du système d'alimentation en gaz en fermant son robinet d'arrêt durant les tests de pression si la pression est inférieure ou égale à 3,5 kPa (1/2 psi). L'appareil et son robinet d'arrêt doivent être déconnectés du système d'alimentation en gaz durant les tests de pression lorsque la pression est supérieure à 3,5 kPa (1/2 psi). Lors de la vérification de la pression de gaz du distributeur, la pression d'arrivée du régulateur doit être d'au moins 7,0 po C.E. pour du gaz naturel ou 12 po pour du gaz propane.
- La conduite flexible de l'alimentation en gaz doit être métallique et approuvée par un organisme de certification homologué (AGA, CGA ou UL). N'utilisez jamais de tuyau en caoutchouc ou autre matériau synthétique car la chaleur peut le faire fondre et produire des fuites.
- Lorsque vous branchez l'alimentation en gaz du tuyau rigide du mur au tuyau rigide arrière de la cuisinière, faites en sorte que la conduite flexible reliant les deux tuyaux rigides soit suffisamment longue pour permettre d'éloigner la cuisinière du mur en cas de nettoyage ou d'entretien. Dans ce cas, il ne doit y avoir aucune tension au niveau des connexions des tuyaux rigides de la cuisinière et du mur.

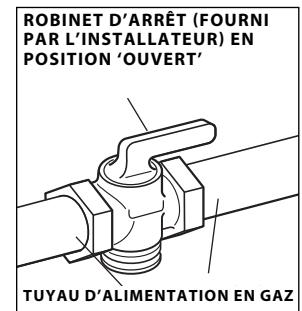


Fig. 17 Robinet d'arrêt manuel

VÉRIFICATION DE L'ABSENCE DE FUITE :

- Après avoir effectué le dernier raccordement au gaz, ouvrez le robinet de gaz manuel et testez chaque raccord de la tuyauterie d'alimentation en gaz pour vérifier l'absence de fuite de gaz, en utilisant une solution d'eau savonneuse. Lors de cette vérification, tous les robinets de gaz de l'appareil doivent être fermés.
- Pour réduire les risques de dommages matériels ou de blessures corporelles graves, n'utilisez jamais la flamme d'une allumette ou une flamme nue. S'il y a une fuite, serrez le joint ou dévissez-le, appliquez-y de la pâte à joints supplémentaire, resserrez-le et vérifiez à nouveau l'absence de fuite.

**AVERTISSEMENT :**

Aux fins de la garantie, DCS exige que le réglage des brûleurs soit effectué par un technicien qualifié au moment de l'installation. Faites extrêmement attention quand des réglages sont effectués après l'installation. LA GARANTIE SERA ANNULÉE SI LES RÉGLAGES SONT EFFECTUÉS INCORRECTEMENT OU PAS DU TOUT.

TABLE DE CUISSON BRÛLEURS

Les brûleurs de la table de cuisson ne sont pas réglables. Un fonctionnement normal est obtenu lorsque les orifices appropriés pour l'alimentation en gaz sont installés en usine, selon le modèle commandé.

Lors de l'installation de la couronne de brûleur, assurez-vous que les deux broches de position au bas de la couronne en laiton sont correctement alignés avec l'encoche de position et les trous centraux sur le dessus de la couronne de mijotage. Un mauvais alignement produira une flamme potentiellement dangereuse et entraînera un mauvais fonctionnement du brûleur.

Remarque :

Il n'est pas possible d'effectuer un réglage de l'obturateur d'air sur les brûleurs de la table de cuisson. Les flammes du brûleur doivent être bleues et stables, sans pointe jaune (quelques pointes jaunes sont chose normale pour du gaz propane) ni bruit excessif, et ne doivent pas tirer vers le haut (Fig. 18).

REMARQUE CONCERNANT L'ALLUMAGE DU BRÛLEUR DE LA TABLE DE CUISSON

Les brûleurs à tête scellée de la table de cuisson permettent un réglage continu de la flamme et leurs boutons de réglage ne comportent pas de position fixe entre les niveaux HI et LO. Pour allumer le brûleur à tête scellée de la table de cuisson, enfoncez le bouton de réglage et tournez-le vers la gauche à la position LITE. Vous devriez entendre un déclic. Une fois le gaz allumé par l'allumeur électronique, tournez le bouton au réglage voulu (Fig. 19).

Remarque :

L'allumeur continue de cliquer jusqu'à l'apparition d'une flamme. Si le brûleur de la table de cuisson ne se rallume pas, vérifiez l'allumeur en écoutant s'il y a un déclic. Si vous n'entendez pas de déclic, éteignez le brûleur. Vérifiez si un disjoncteur s'est déclenché, si un fusible est grillé ou si la connexion de l'allumeur est mauvaise.

**AVERTISSEMENT :**

Quand vous allumez un brûleur de table de cuisson, prenez soin de vous arrêter à la position LITE avant de sélectionner un niveau de flamme pour la cuisson. Si le brûleur n'est pas allumé et qu'il est tourné au-delà de la position « LITE », sur HI, MEDIUM ou LO, un éclat de flamme se produit lorsque le brûleur finit par s'allumer. Cela peut causer des blessures ou endommager le comptoir adjacent.

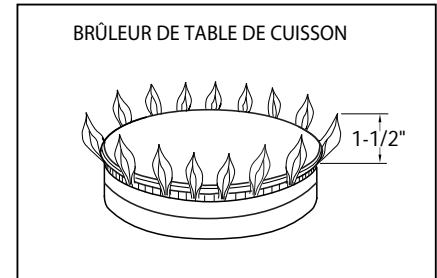


Fig. 18 Flamme du brûleur correcte

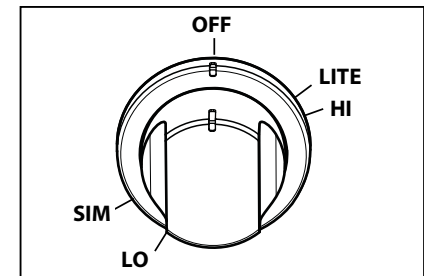


Fig. 19

BRÛLEURS DE LA PLAQUE CHAUFFANTE ET DU GRIL (CERTAINS MODÈLES SEULEMENT)

Vérifiez que la flamme du brûleur est correcte et ajustez les obturateurs d'air au besoin (Fig. 20). Chaque valve et obturateur d'air est testé individuellement et réglé avant l'expédition. Aucun ajustement n'est normalement requis; toutefois, les vibrations en cours de transport, la conversion de gaz ou les variations particulières à chaque système d'alimentation en gaz peuvent nécessiter quelques petits réglages. Les flammes du brûleur doivent être bleues et stables, sans pointe jaune ni bruit excessif, et ne doivent pas tirer vers le haut. Si l'une de ces situations se produit, assurez-vous que l'obturateur d'air ou les ports des brûleurs ne sont pas bouchés. Si le problème persiste, ajustez l'obturateur d'air selon le besoin. Si la flamme est trop jaune, ce qui indique une insuffisance d'air, tournez l'obturateur vers la gauche pour laisser passer davantage d'air. Si la flamme fait du bruit et tend à s'élever au-dessus du brûleur, ce qui indique un excédent d'air, tournez l'obturateur vers la droite pour réduire l'arrivée d'air. La hauteur des flammes de la plaque chauffante et four doit se situer entre 3,8 et 5 cm (de 1-1/2 à 2 po). Celle des flammes du brûleur du grill doit se situer entre 1 et 1,6 cm (de 3/8 à 5/8 po) (Fig. 21).

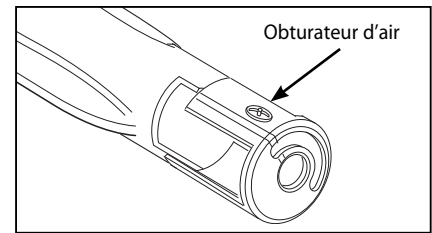


Fig. 20

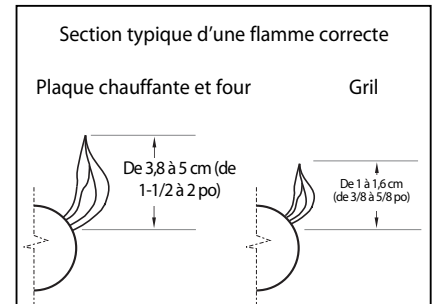


Fig. 21

BRÛLEURS DE FOUR ET À INFRAROUGE DE GRILLOIR (MODÈLES RGU ET RGUC SEULEMENT)

MISE EN GARDE :

Le brûleur infrarouge du grilloir ne comporte pas d'obturateur d'air et n'est pas réglable. Le brûleur de cuisson comporte un obturateur d'air et il est réglable. Il est impératif de faire fonctionner le grilloir pendant 20 à 30 minutes pour éliminer la forte odeur de l'isolant. Ceci doit être fait avant d'utiliser la cuisinière pour la première fois et en assurant une bonne ventilation.

Vérifiez que la flamme du brûleur est correcte. Les flammes du brûleur doivent être bleues et stables, sans pointe jaune ni bruit excessif, et ne doivent pas tirer vers le haut. Si l'une de ces situations se produit, assurez-vous que l'obturateur d'air (brûleur du four uniquement; Fig. 20) ou les ports des brûleurs ne sont pas bouchés. Si le problème persiste, faites appel à un technicien qualifié. La hauteur des flammes du brûleur du four doit se situer entre 4 et 5 cm (de 1-1/2 à 2 po) (Fig. 21). Celle du brûleur de grilloir à infrarouge doit être d'environ 3 mm (1/8 po) sur tout le périmètre du brûleur (Fig. 22).

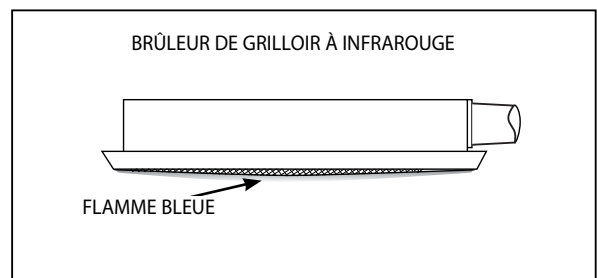


Fig. 22

NETTOYAGE DES SURFACES EXTÉRIEURES

Pour nettoyer les surfaces en acier inoxydable, essuyez-les à l'aide d'un linge ou éponge imbibé d'eau savonneuse. Un savon liquide (Dawn et Stainless Steel Magic, par exemple) permettra d'éliminer les empreintes digitales et les taches. N'utilisez pas de laine d'acier au risque d'égratigner la surface.

GÉNÉRALITÉS

- Emplacement de l'appareil.
- Dégagement spécifié respecté par rapport aux surfaces d'armoires.
- Appareil de niveau - de l'avant à l'arrière, d'un bord à l'autre.
- Matériel d'emballage et courroies d'attache enlevés, ramasse-gouttes propres et vides.
- Dossieret installé si le dégagement entre les matériaux combustibles et l'arrière de la cuisinière est inférieur à 30,5 cm (12 po).
- Plateau radiant placé dans le gril (le cas échéant). La grilles du gril est en place.

ÉLECTRIQUE/CARACTÉRISTIQUES ÉLECTRIQUES

- Prise avec protection de surintensité de courant de 15 ampères pour brancher le cordon d'alimentation.
- Connexion de mise à la terre adéquate.
- Panneau de seuil de porte avant en place et deux (2) vis bien mises.

ALIMENTATION EN GAZ

- Connexion : 1/2 NPT avec conduite flexible de 5/8 po de diamètre minimum. L'alimentation en gaz du site est compatible avec le modèle de cuisinière, et une pression adéquate est assurée (voir la section 'Branchement du gaz').
- Le régulateur de pression connecté au distributeur est réglé sur 5,0 po C.E. pour le gaz naturel ou 10,0 po C.E. pour le gaz propane.
- Robinet d'arrêt manuel installé dans un endroit facile d'accès.
- Appareil testé et exempt de fuites.

OPÉRATION/FONCTIONNEMENT

- Tout le matériel d'emballage interne a été enlevé. Vérifiez en dessous de la grille, des cuvettes et des ramasse-gouttes.
- Si l'appareil est utilisé avec du gaz propane, vérifiez que le régulateur de pression, les têtes d'injecteur, les obturateurs d'air et les gicleurs ont été réglés pour une utilisation avec du gaz propane.
- Le compartiment du gril est bien logé et ne balance pas (si l'appareil en est équipé).
- Cadrons centrés sur les boutons des brûleurs et boutons tournant librement.
- Chaque brûleur s'allume correctement, qu'il fonctionne seul ou avec les autres brûleurs.
- Réglage de flamme produisant une flamme douce bleue conique de 1 cm (3/8 po) sur les ports des brûleurs supérieurs, vérification du réglage de faible flamme.
- Réglage de la flamme effectué sur l'obturateur d'air de chaque brûleur de four, plaque chauffante ou gril.
- La plaque chauffante est de niveau et ne balance pas (si l'appareil en est équipé).
- Les ramasse-gouttes sont correctement mis en place et s'enlèvent librement (si l'appareil en est équipé).
- Les charnières de la porte sont bien logées et la porte s'ouvre et se ferme correctement.
- Les grilles des brûleurs sont correctement placées, de niveau et ne remuent pas.
- Flamme de la plaque chauffante correcte.
- Flamme du gril correcte.
- Flamme du brûleur de table de cuisson correcte.

AVANT D'APPELER LE SERVICE TECHNIQUE

- Est-ce que le disjoncteur s'est déclenché ou que le fusible est grillé?
- Y a-t-il une coupure de courant dans le secteur?

SI LES BRÛLEURS DE LA TABLE DE CUISSON NE S'ALLUMENT PAS

- Est-ce que le brûleur à deux morceaux est assemblé correctement?
- Est-ce que la tête du brûleur est alignée correctement?
- Est-ce que le robinet d'arrêt manuel est ouvert? Il est généralement situé là où le gaz provient du mur.

Important!

- *Les réparations doivent être effectuées par des techniciens autorisés uniquement. Avant de travailler sur l'appareil, le technicien doit débrancher l'appareil de la prise électrique.*
- *Les schémas de câblage et les instructions pour retirer l'appareil pour réparation sont inclus dans le résumé de réparation, attaché à l'intérieur du panneau de seuil de porte. En raison de l'accès potentiel aux pièces sous tension électrique, le panneau de seuil de porte doit être retiré par des techniciens autorisés uniquement.*

Pour le service sous garantie, contactez le représentant du centre de service à la clientèle DCS au (888) 936-7872 ou consulter notre site Web www.dcsappliances.com et choisir « Customer Care » pour trouver le Centre de service le plus proche. Avant d'appeler, veuillez avoir les informations suivantes à portée de main :

- Numéro de modèle et de série (situé sur la plaque signalétique, sur le panneau arrière et également sur le cadre avant, coin inférieur droit entre le panneau de seuil de porte et la porte du four).
- Date d'installation
- Brève description du problème

Votre satisfaction revêt la plus grande importance pour nous. Si un problème n'est pas résolu à votre entière satisfaction, veuillez communiquer avec nous par téléphone, courrier ou courriel :

Fisher & Paykel Appliances, Inc.
Attention: DCS Customer Care
5900 Skylab Road
Huntington Beach, CA 92647

par courriel: customer.care@fisherpaykel.com

www.dcsappliances.com



Copyright © Fisher & Paykel 2010. All rights reserved.

The product specifications in this booklet apply to the specific products and models described at the date of issue. Under our policy of continuous product improvement, these specifications may change at any time. You should therefore check with your Dealer to ensure this booklet correctly describes the product currently available.

Droits réservés © Fisher & Paykel 2010.

Les spécifications du produit contenues dans ce manuel s'appliquent aux modèles et produits spécifiques comme décrits à la date de publication. Dans le cadre de notre politique d'améliorations en permanence de nos produits, ces spécifications pourront être modifiées à tout moment. Nous vous recommandons de vérifier auprès de votre revendeur que ce manuel décrit le produit actuellement disponible.