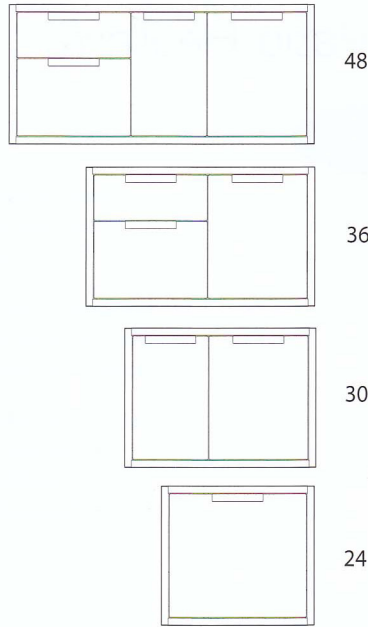
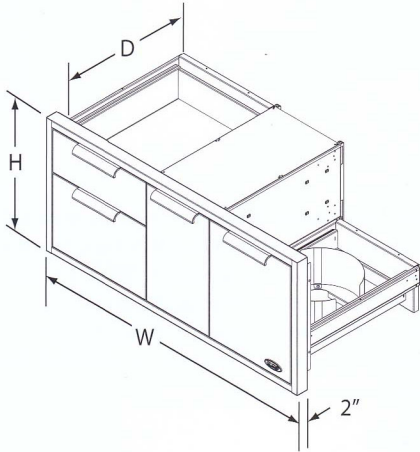
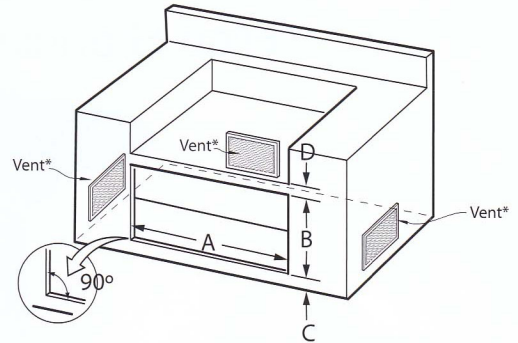


Access drawer dimensions



MODEL NUMBER	W	H	D
ADR148	48"	21-7/8"	23-1/2"
ADR136	36"	21-7/8"	23-1/2"
ADR130	30"	21-7/8"	23-1/2"
ADR124	24"	21-7/8"	23-1/2"

Cutout dimensions



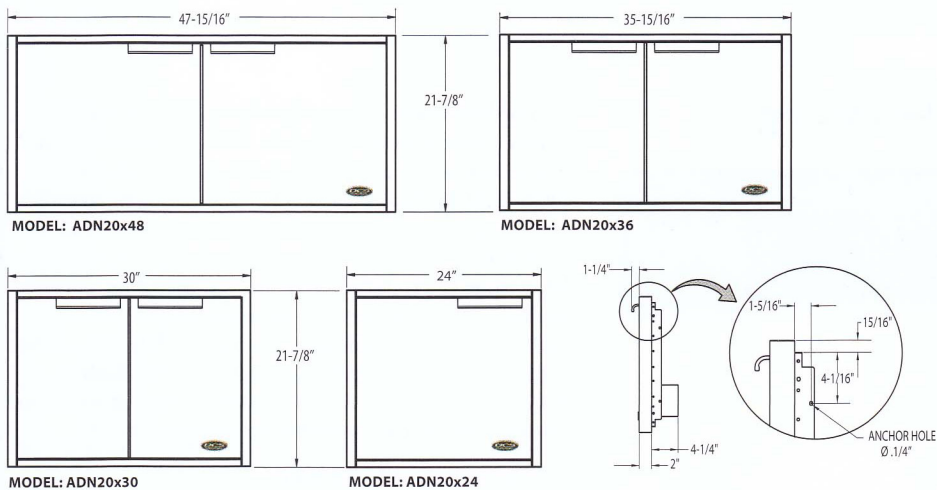
NOTE: The cutout of each corner should be 90° angle in order for the access drawers to fit properly.

* Island installation to use minimum of 3 vents, 10 square inches per vent (typical).

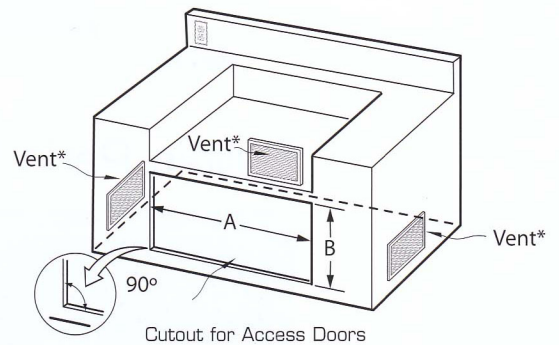
** For proper support and drawer operation, insure that support boards are installed per Installation Instructions

MODEL	A (-0,+1/8)	B (-0,+1/8)	C	D
ADR148	46"	20"	1.0" min.	1.0" min.
ADR136	34"	20"	1.0" min.	1.0" min.
ADR130	28"	20"	1.0" min.	1.0" min.
ADR124	22"	20"	1.0" min.	1.0" min.

Access door dimensions



Cutout dimensions



NOTE: The cutout of each corner should be 90° angle in order for the access drawers to fit properly.

* Island installation to use minimum of 3 vents, 10 square inches per vent (typical).

MODEL NUMBER	A (-0,+1/8)	B (-0,+1/8)
ADN20x48	46"	20"
ADN20x36	34"	20"
ADN20x30	28"	20"
ADN20x24	22"	20"