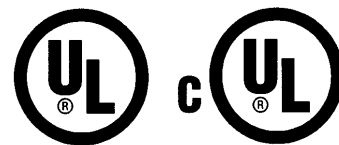


INSTALLATION INSTRUCTIONS

BUILT-IN FULL HEIGHT WINE CELLAR

Retain for Future Reference

VIKING RANGE CORPORATION
111 Front Street
Greenwood, Mississippi 38930 USA
(662) 455-1200



IMPORTANT - PLEASE READ AND FOLLOW

Make sure that incoming voltage is the same as unit rating. An electric rating plate specifying voltage, frequency, wattage, amperage, and phase is attached to the product.


To reduce the risk of fire, electric shock, or injury to persons, installation work and electrical wiring must be done by qualified people in accordance with all applicable codes and standards, including fire-rated construction.

The installer should leave these instructions with the consumer who should retain them for local inspector's use and for future reference.

GENERAL INFORMATION

Your safety and the safety of others is very important.

We have provided many important safety messages in this manual and on your appliance. Always read and obey all safety messages.

This is the safety alert symbol. This  symbol alerts you to hazards that can kill or hurt you and others.

All safety messages will be preceded by the safety alert symbol and the word "DANGER" or "WARNING".

These words mean:

 DANGER

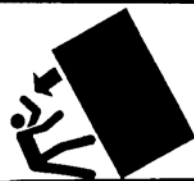
You will be killed or seriously injured if you don't follow instructions.

 WARNING

You can be killed or seriously injured if you don't follow instructions.

All safety messages will identify the hazard, tell you how to reduce the chance of injury, and tell you what can happen if the instructions are not followed.

WARNING



TIP OVER HAZARD

Wine cellar is top heavy and tips easily when not completely installed.

Keep door closed and shelves in place until wine cellar is completely installed per installation instructions.

Use two or more people to move and install wine cellar.

Failure to do so can result in death or serious injury.

Most of the wine cellar's weight is at the top. Extra care is needed when moving the wine cellar to prevent tipping. Use cardboard shipping material or plywood under wine cellar until it is installed in the operating position to protect floor surface.

It is your responsibility to :

- comply with installation specifications and dimensions
- properly install wine cellar
- remove any moldings or decorative panels that prevent the wine cellar from being serviced
- assure that floor will support wine cellar, door panels and contents (approximately 1200 lbs. [540 kg]).
- provide a properly grounded electrical outlet
- assure that location will permit appliance doors to open 90° minimum

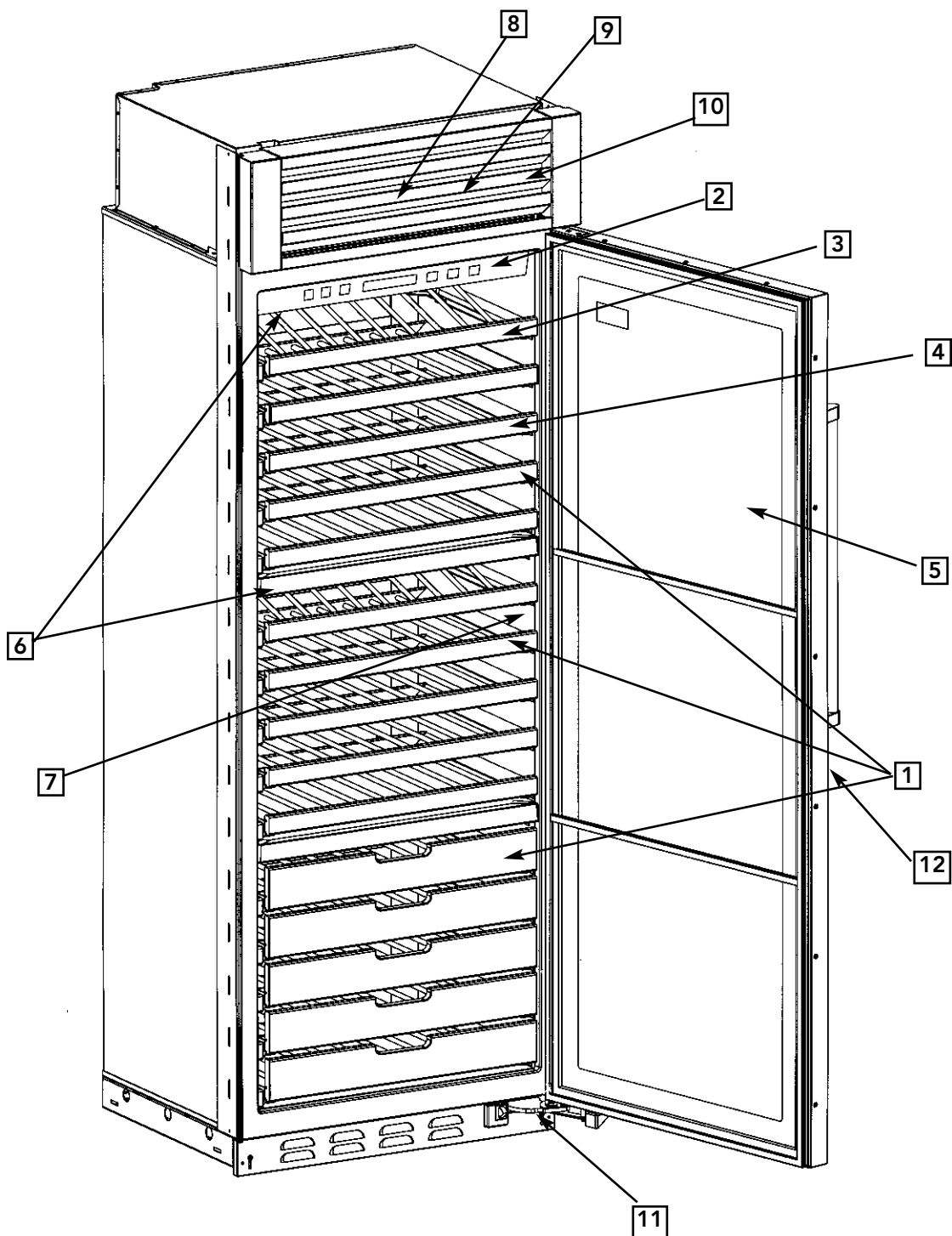
BASIC SPECIFICATIONS AND DIMENSIONS

DESCRIPTION	VCWB300
Overall Width	30" (76.2 cm)
Overall Height from Bottom	Min. 82 3/4" (210.2 cm) to Max. 84 1/16" (213.5 cm)
Overall Depth from Rear	To rear edge of side trim 22 3/16" (56.4 cm) To front of top grille 24 1/2" (62.2 cm) To end of handle bracket 27" (68.6 cm)
Cutout Width	29 1/2" (74.9 cm)
Cutout Height	82 7/8" (210.5 cm) min.; 84 1/16" (213.5 cm) max.
Cutout Depth	24" (61.0 cm) min.
Electrical Requirements	115 volt, 60 Hz, 15 amp dedicated circuit; 3-wire cord with grounded 3-prong plug attached to product.
Maximum Amp Usage	2.0 amps
Overall Capacity	150 bottles
Approximate Shipping Weight	560 lbs. (252 kg)

DESCRIPTION	DDWB300	DFWB300
Overall Width	30" (76.2 cm)	
Overall Height from Bottom	Min. 82 3/4" (210.2 cm) to Max. 84 1/16" (213.5 cm)	
Overall Depth from Rear To front edge of side trim To front edge of cabinet side trim To front edge of door trim	23 13/16" (60.5 cm) 24" (61.0 cm) 26" (66.0 cm)	23 13/16" (60.5 cm) 24 3/4" (62.9 cm) 24" (61.0 cm)
Cutout Width	30" (76.2 cm)	
Cutout Height	82 7/8" (210.5 cm) min.; 84 1/16" (213.5 cm) max.	
Cutout Depth	24" (61.0 cm) min.	25" (63.5 cm) - can be installed in 24" (61.0 cm) deep openings; door faces and top grille will protrude 3/4" (1.9 cm) into room.
Electrical Requirements	115 volt, 60 Hz, 15 amp dedicated circuit; 3-wire cord with grounded 3-prong plug attached to product.	
Maximum Amp Usage	2.0 amps	
Overall Capacity	150 bottles	
Approximate Shipping Weight	560 lbs. (252 kg)	

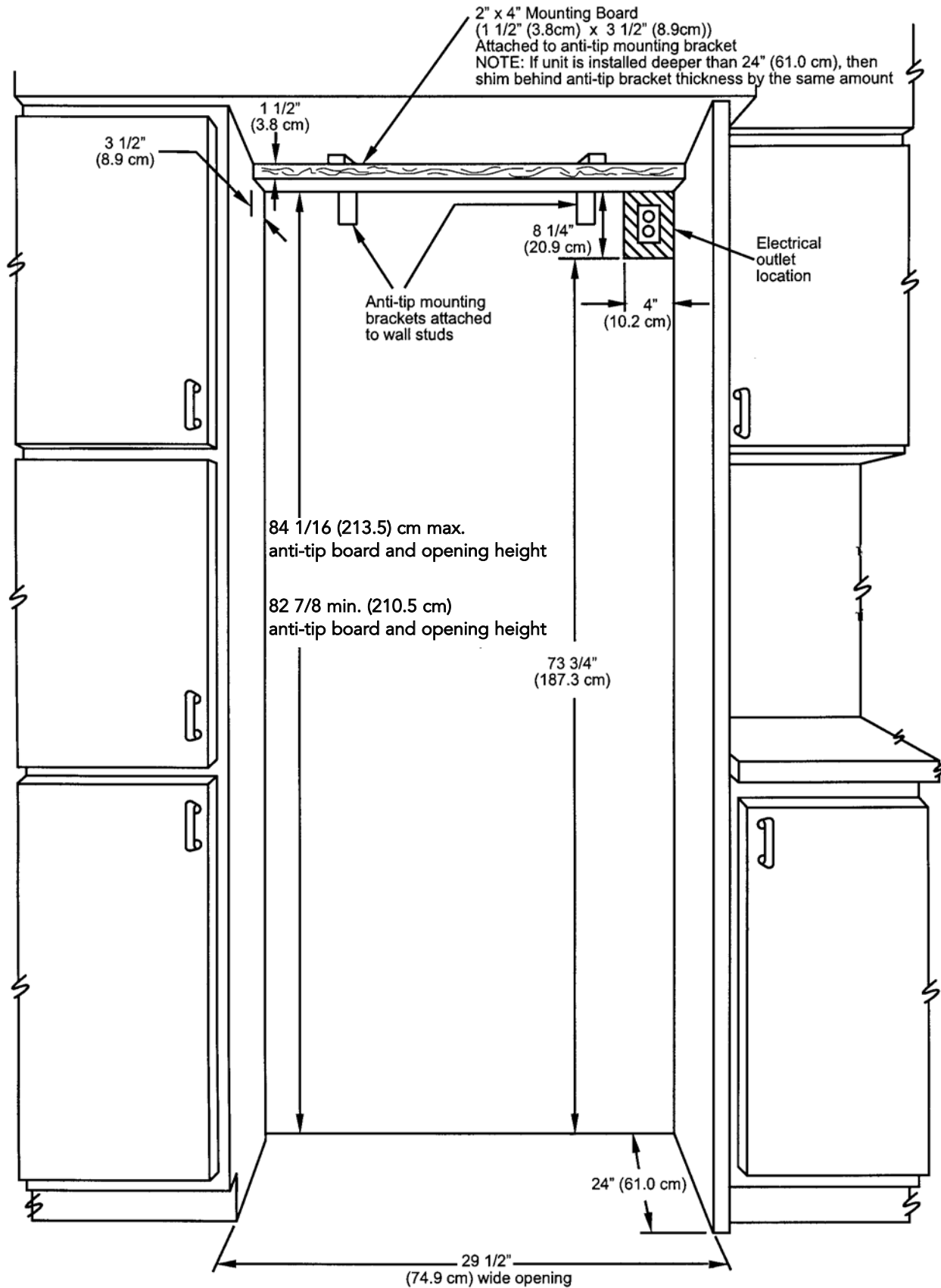
FEATURES OF YOUR WINE CELLAR

1. TriTemp™ storage system
2. Electronic control center
3. Convertible display shelves (2)
4. Extendable shelves (13)
5. Energy efficient and UV resistant glass doors
6. Low intensity lighting
7. Black interior
8. High temperature alarm (behind grille)
9. Door alarm (behind grille)
10. Connection to home security system (behind grille)
11. Door stop settings - 90°, 110°, 120°
12. Keyed door lock - (on front of door)



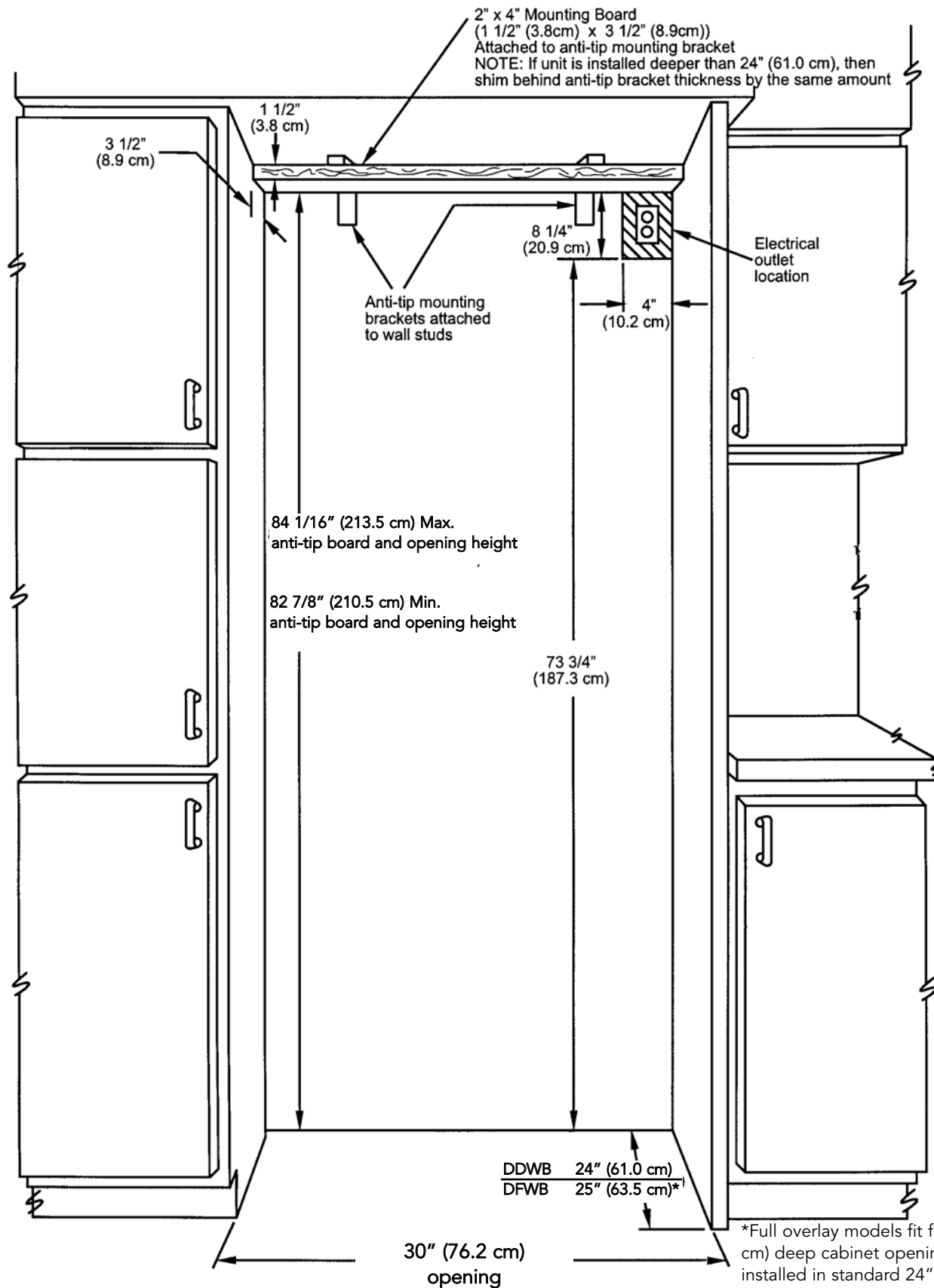
SITE PREPARATIONS AND CONSIDERATIONS

PROFESSIONAL MODEL 30" W. FULL HEIGHT WINE CELLAR CABINET OPENING DIMENSIONS



SITE PREPARATIONS AND CONSIDERATIONS

DESIGNER/FULL OVERLAY MODEL 30" W. FULL HEIGHT WINE CELLAR CABINET OPENING DIMENSIONS




*Full overlay models fit flush in 25" (63.5 cm) deep cabinet openings. They can be installed in standard 24" (61.0 cm) deep openings. The door faces and top grille will protrude 3/4" (1.9 cm) into the room.

AREA REQUIREMENTS

Verify the following:

- Wine cellar can fit into residence and can be moved around corners and through doorways.
- Floors can support wine cellar's weight plus wine weight (approximately 1200 pounds total).
- Remove anything attached to rear or side walls that can obstruct wine cellar installation.
- Cutout dimensions are accurate.
- Electrical outlet is in correct location.

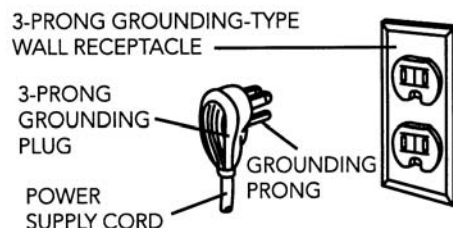
ELECTRICAL REQUIREMENTS


⚠ WARNING	
	ELECTRICAL SHOCK HAZARD
	Plug into a grounded 3-prong outlet.
	DO NOT remove ground plug.
	DO NOT use an adapter. DO NOT use an extension cord. Failure to follow these instructions could result in fire or electrical shock.

If codes permit a separate grounding wire to be used, it is recommended that a qualified electrician determine that the grounding path is adequate. Do Not ground to a gas pipe. Check with a qualified electrician if you are not sure the appliance is properly grounded. Do Not have a fuse in the neutral or grounding circuit.

It is the customer's responsibility to:

- contact a qualified electrical installer.
- assure that the electrical installation is adequate and in conformance with the National Electrical Code, ANSI/NFPA 70-latest edition or Canadian Electrical Code C22.1-1998 and C22.2 No. 0-M91 (or latest edition), and all local codes and ordinances. (115 volt, 60-Hz, 15 amp, fused, electrical supply is required. It is required that a separate circuit serving only this appliance be provided. This appliance is equipped with a power supply cord having a 3-prong grounding plug. To minimize possible shock hazard, the cord must be plugged into a mating 3-prong, grounding-type wall receptacle. **Do not use an extension cord.**)

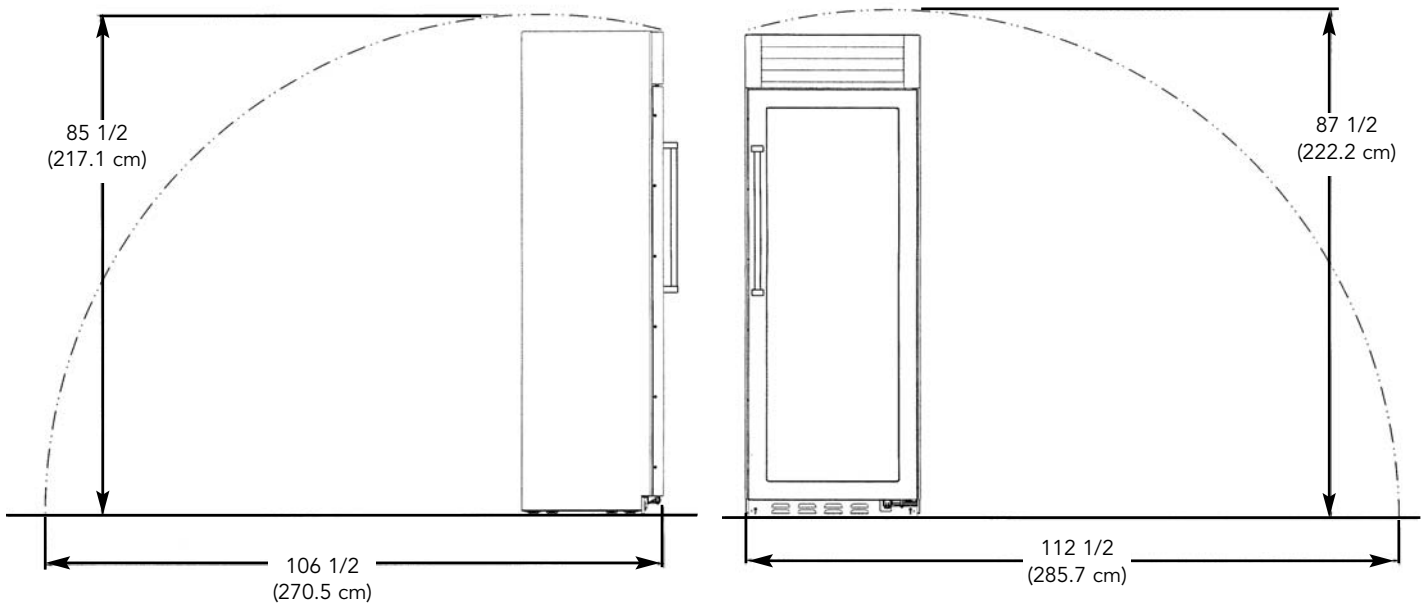
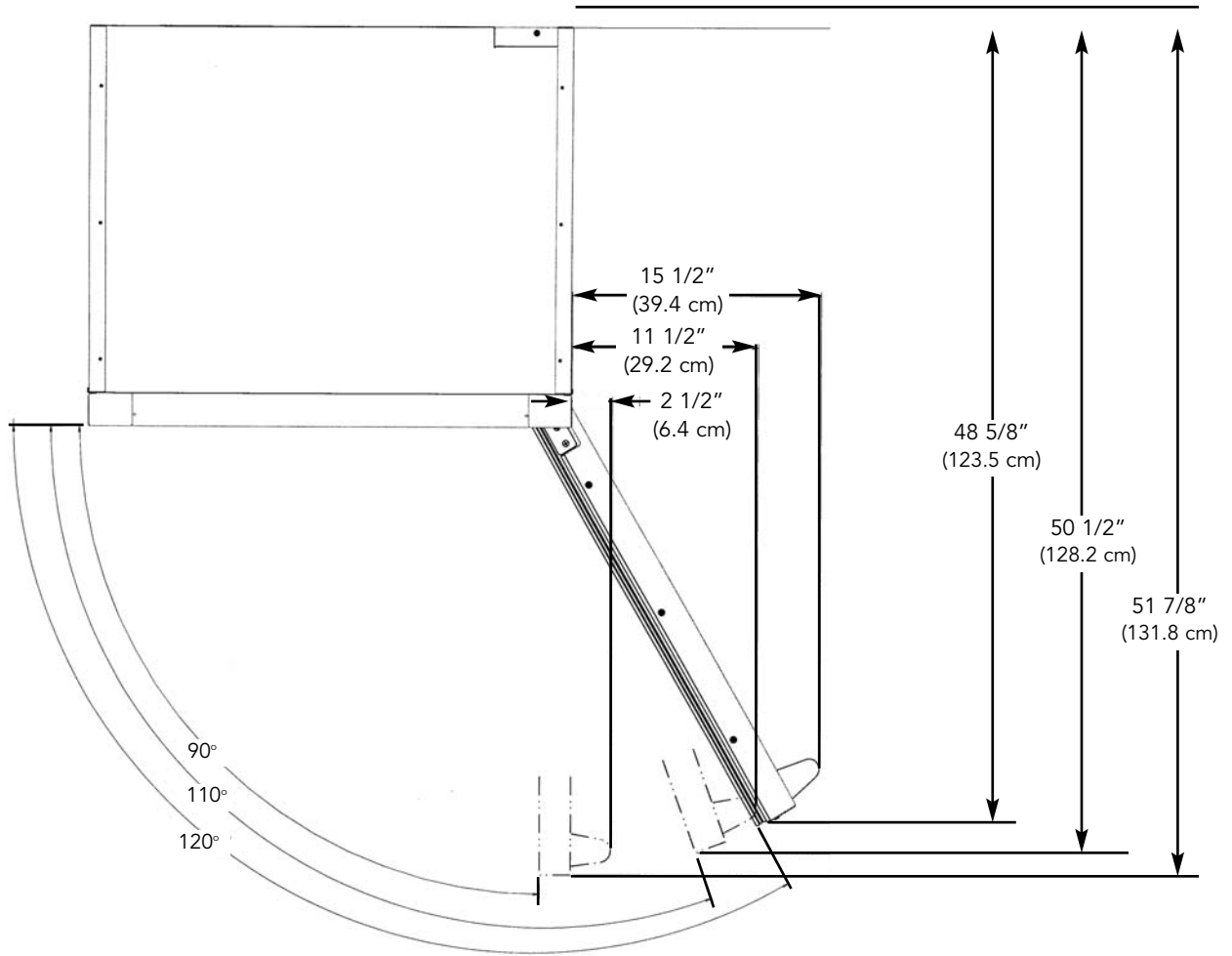


⚠ WARNING	
	TIP OVER HAZARD
	Wine cellar is top heavy and tips easily when not completely installed. Keep door closed and shelves in place until wine cellar is completely installed and secured per installation instructions. Use two or more people to move and install wine cellar. Failure to do so can result in death or serious injury.

Anti-Tip Requirements

The anti-tip boards should be fastened into position prior to moving the unit into the opening. Additional boards may be required if wine cellar does not touch the back wall of the enclosure. To prevent wine cellar from tipping forward, it must be secured in place with a solid soffit or wood block.

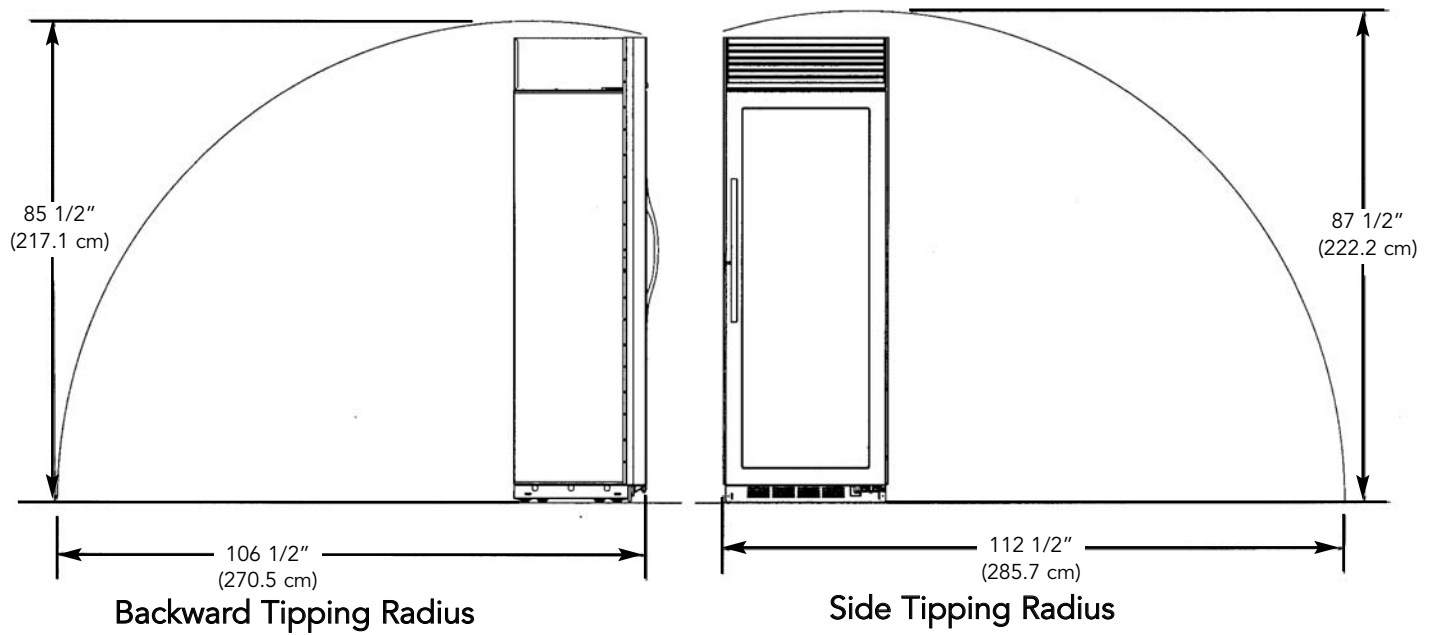
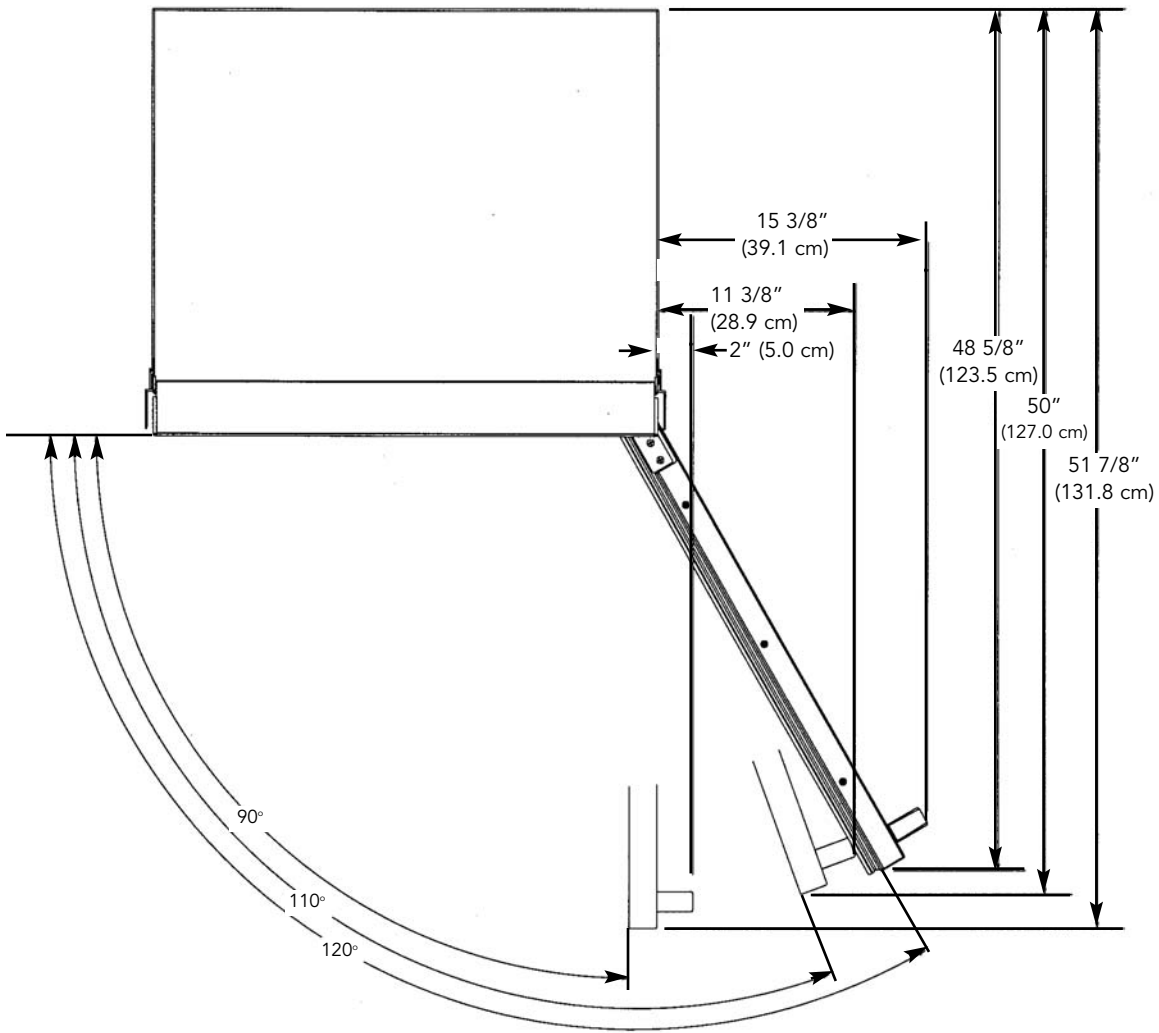
DOOR SWING AND TIPPING CONSIDERATIONS PROFESSIONAL MODEL



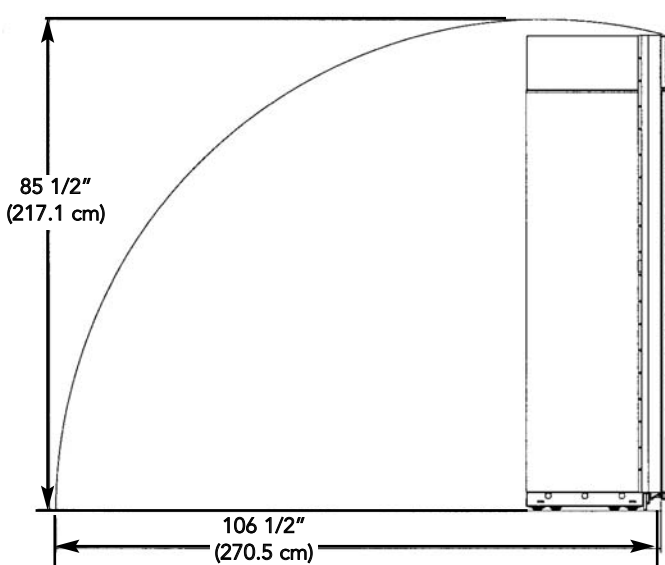
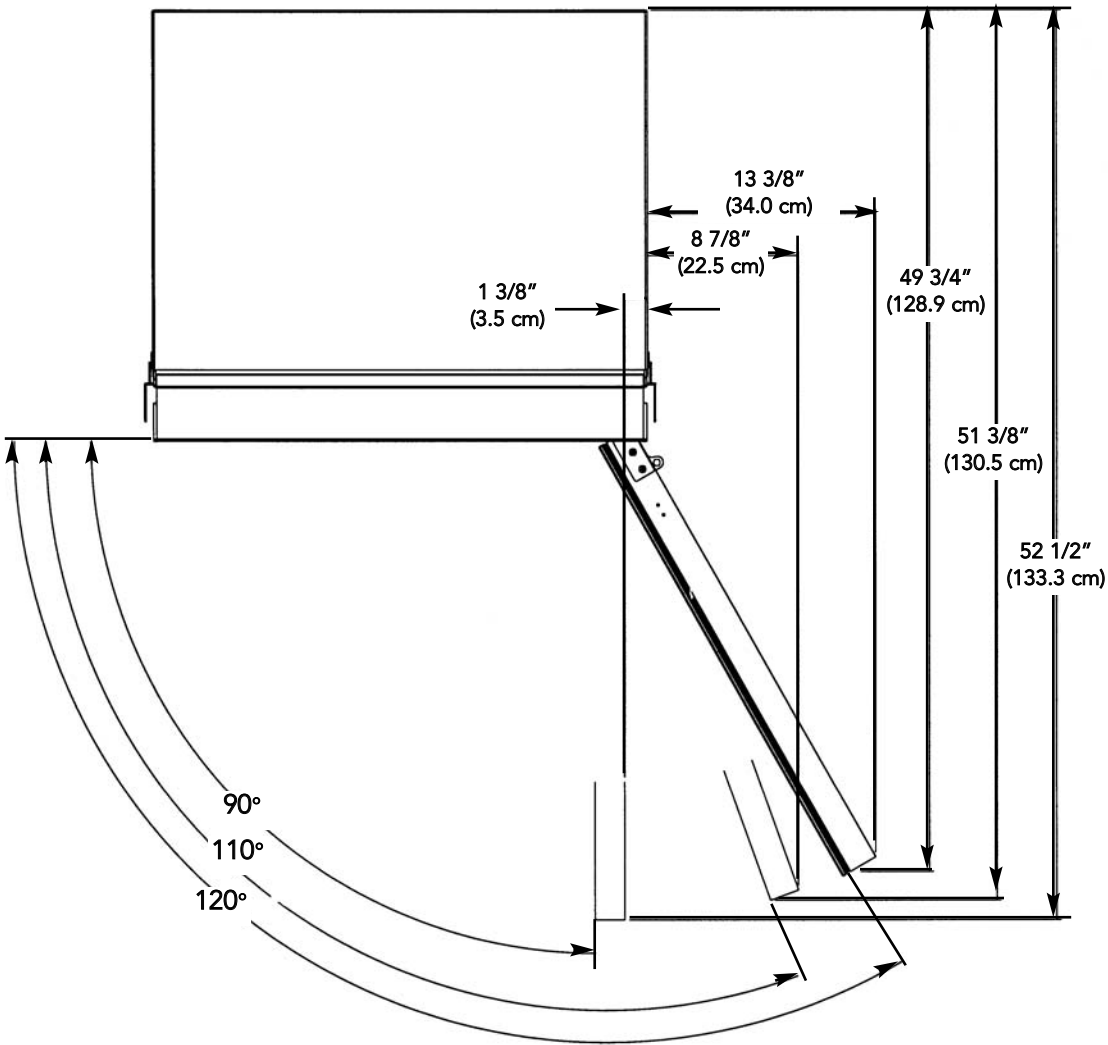
**BACKWARD
TIPPING RADIUS**

**SIDE
TIPPING RADIUS**

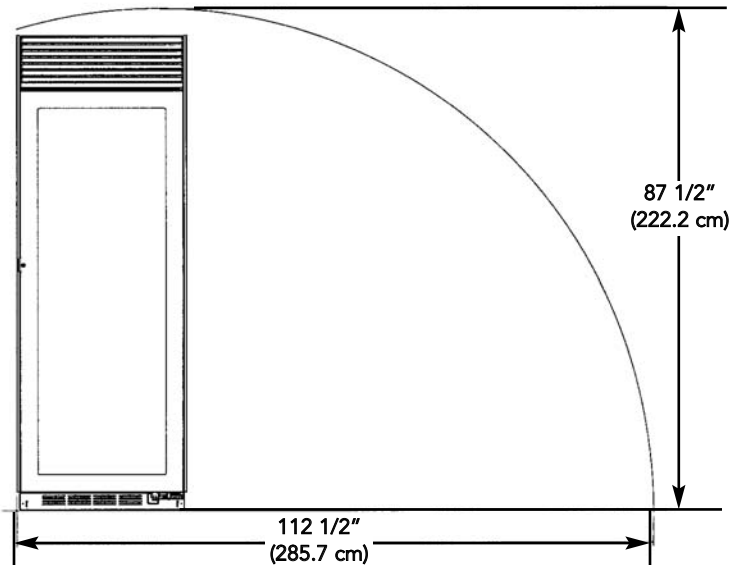
DOOR SWING AND TIPPING CONSIDERATIONS DESIGNER MODEL



DOOR SWING AND TIPPING CONSIDERATIONS FULL OVERLAY MODEL

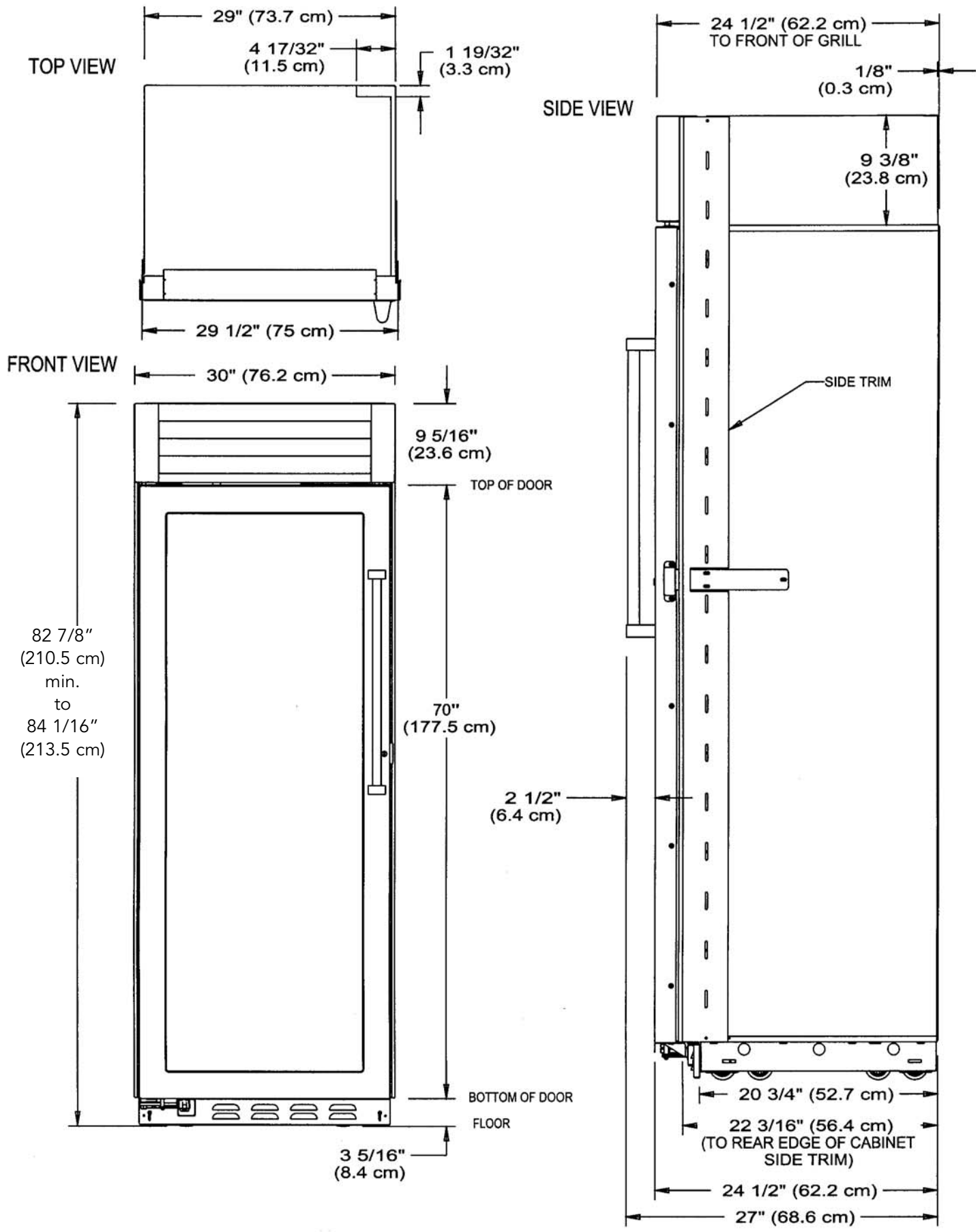


Backward Tipping Radius



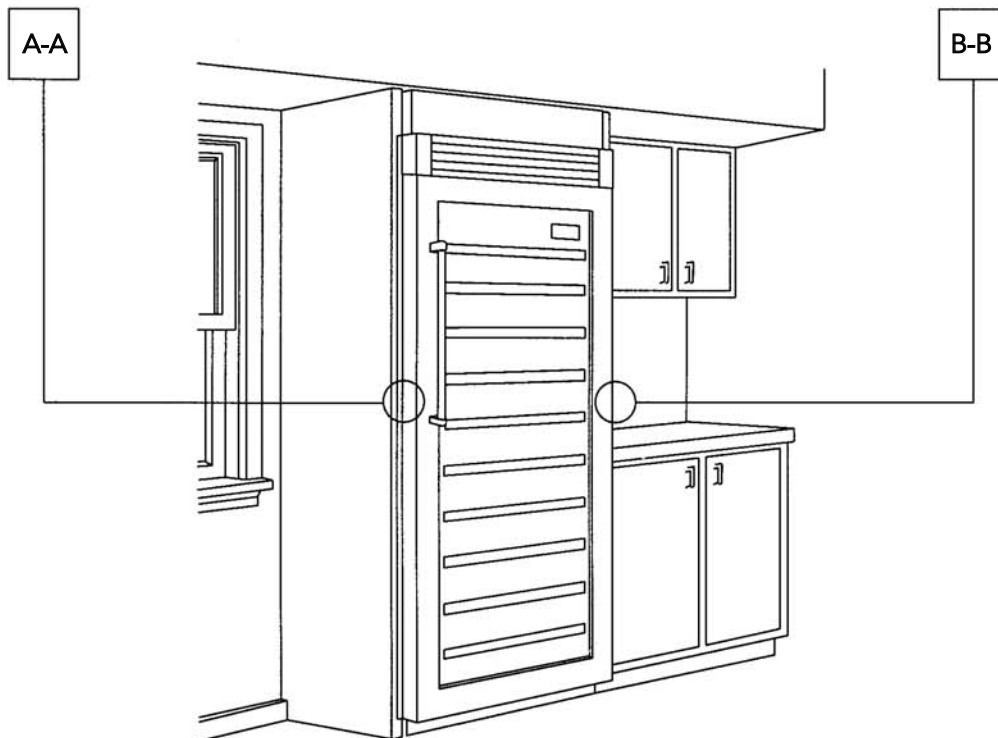
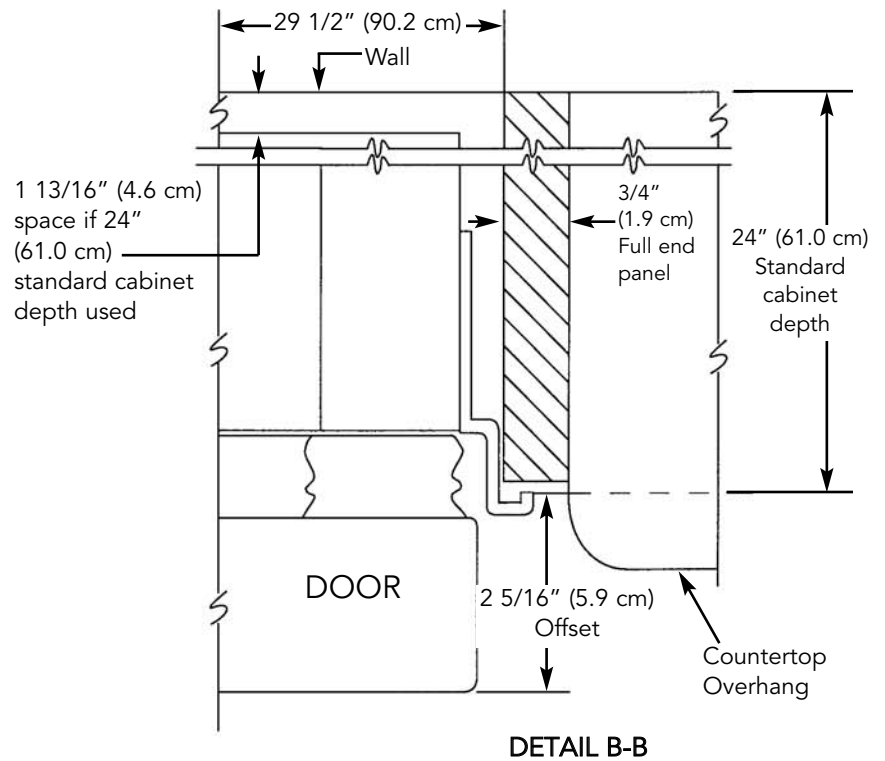
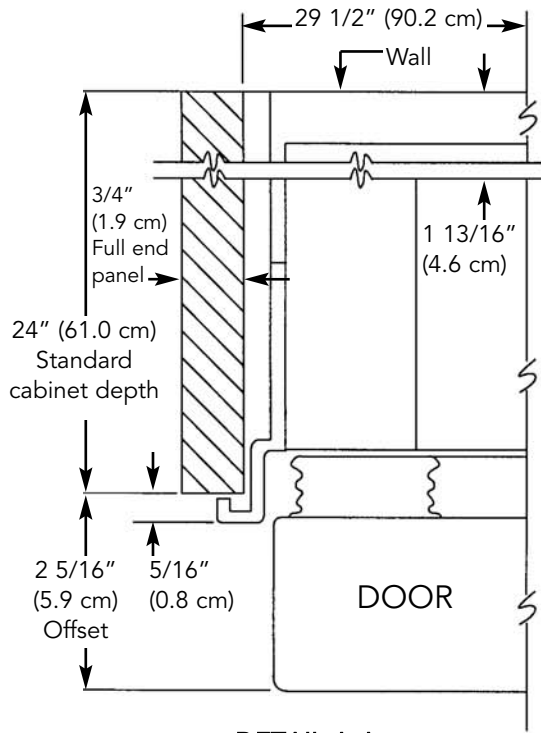
Side Tipping Radius

WINE CELLAR OVERALL DIMENSIONS - PROFESSIONAL MODEL

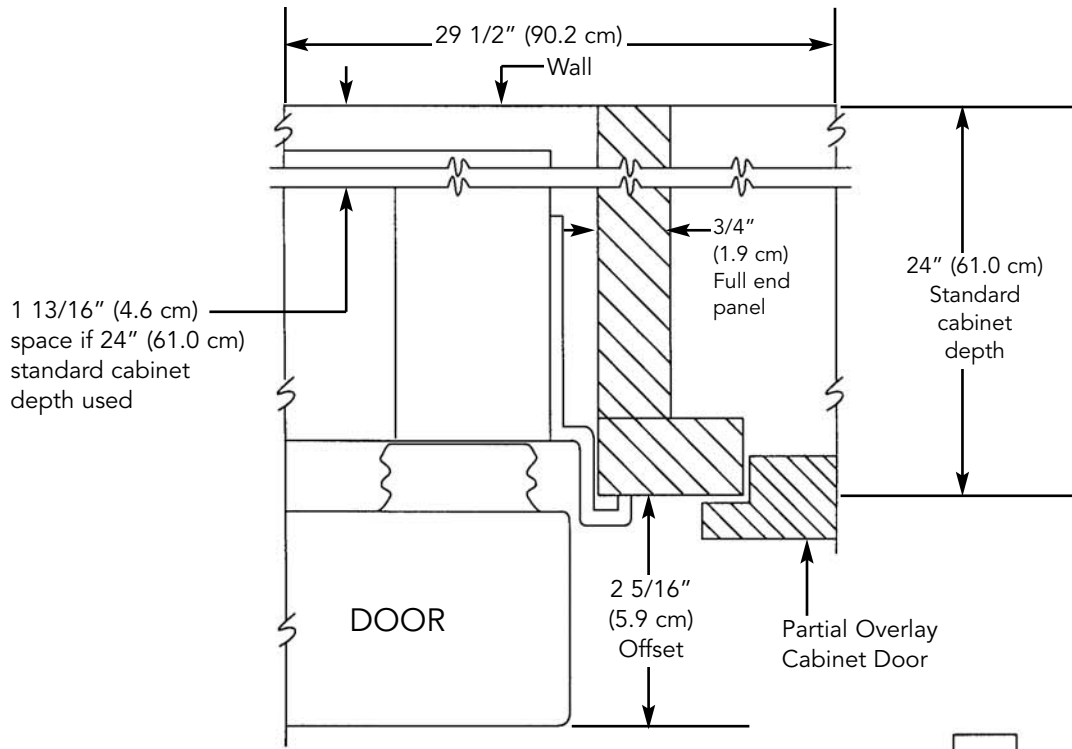


CABINET INFORMATION - PROFESSIONAL MODEL

Professional models fit "semi-flush" in standard 24" (61.0 cm) deep cabinet openings. The door face protrudes 2-5/16" (5.9 cm) from the cabinet face. The handle protrudes an additional 2-1/2" (6.4 cm) into the room

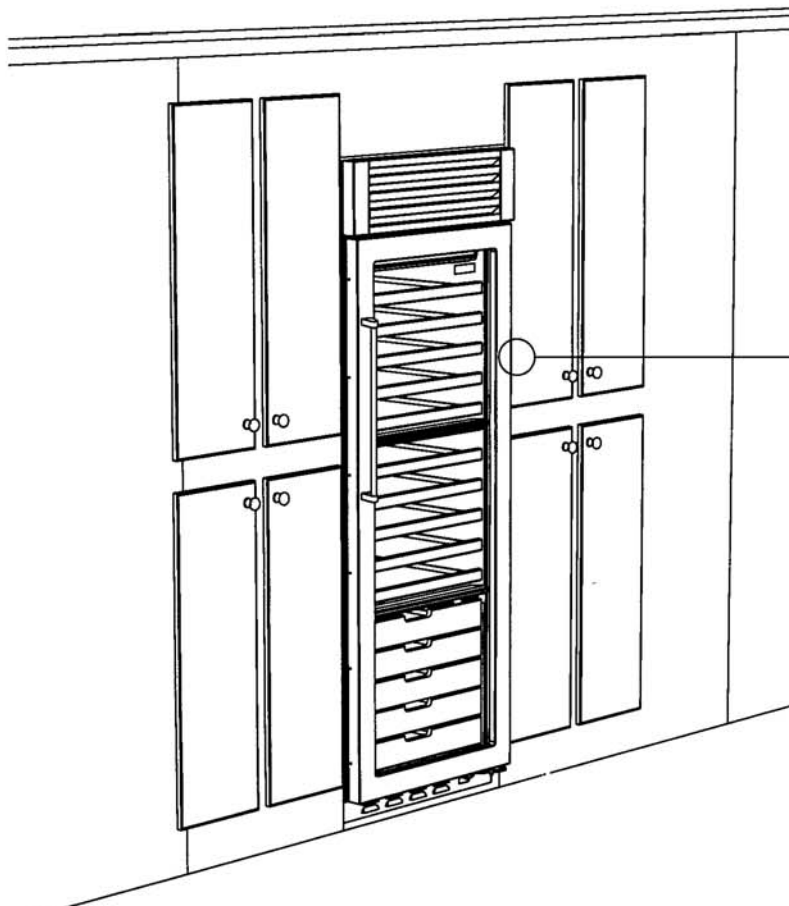


CABINET INFORMATION - PROFESSIONAL (continued)



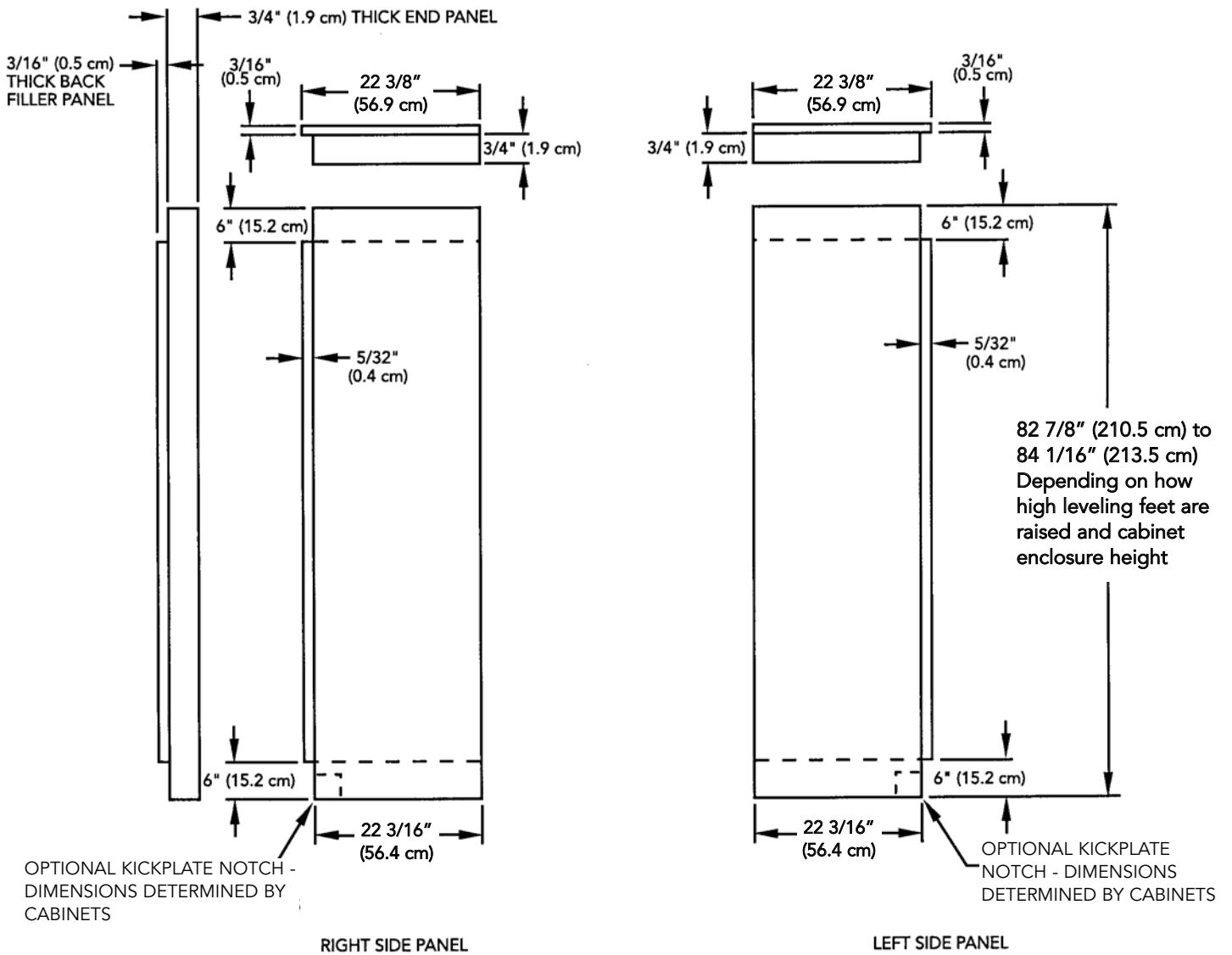
DETAIL C-C

C-C

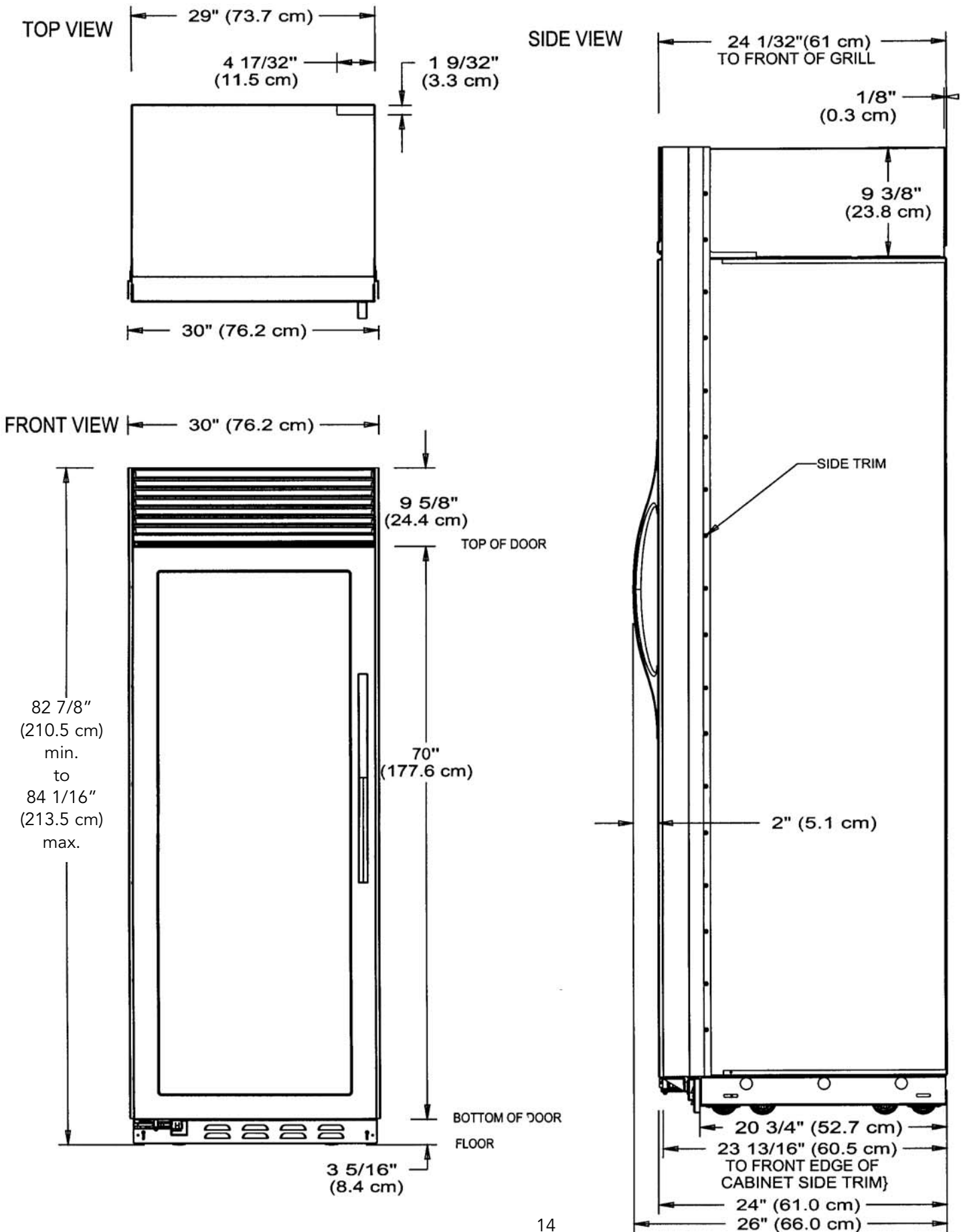


CUSTOM SIDE PANEL DIMENSIONS - PROFESSIONAL MODEL

For 3/4" (1.9 cm) Side Panels

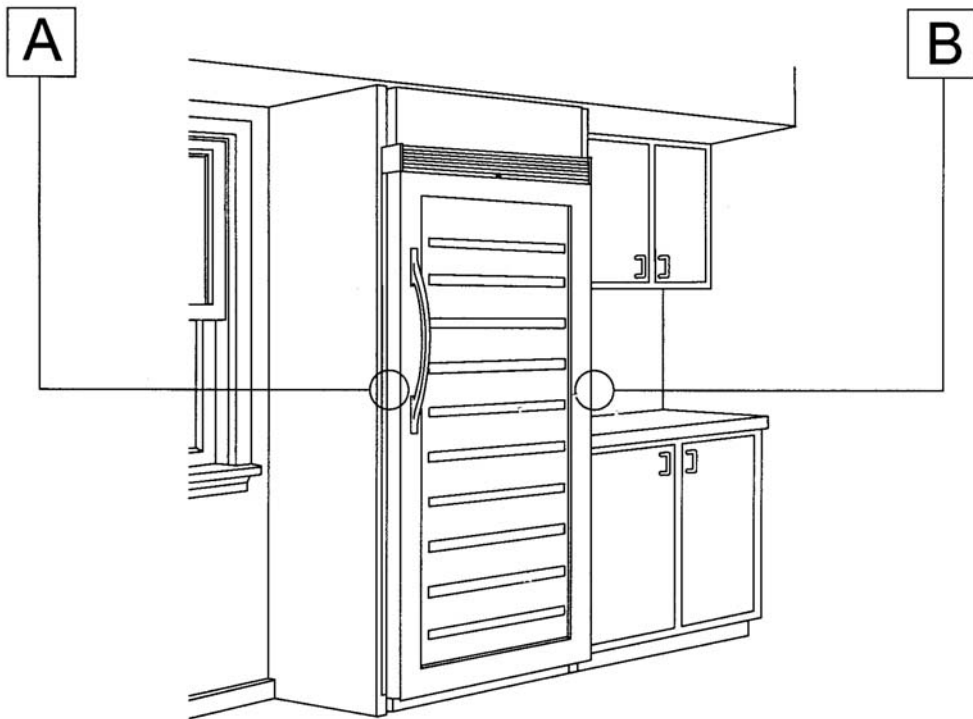
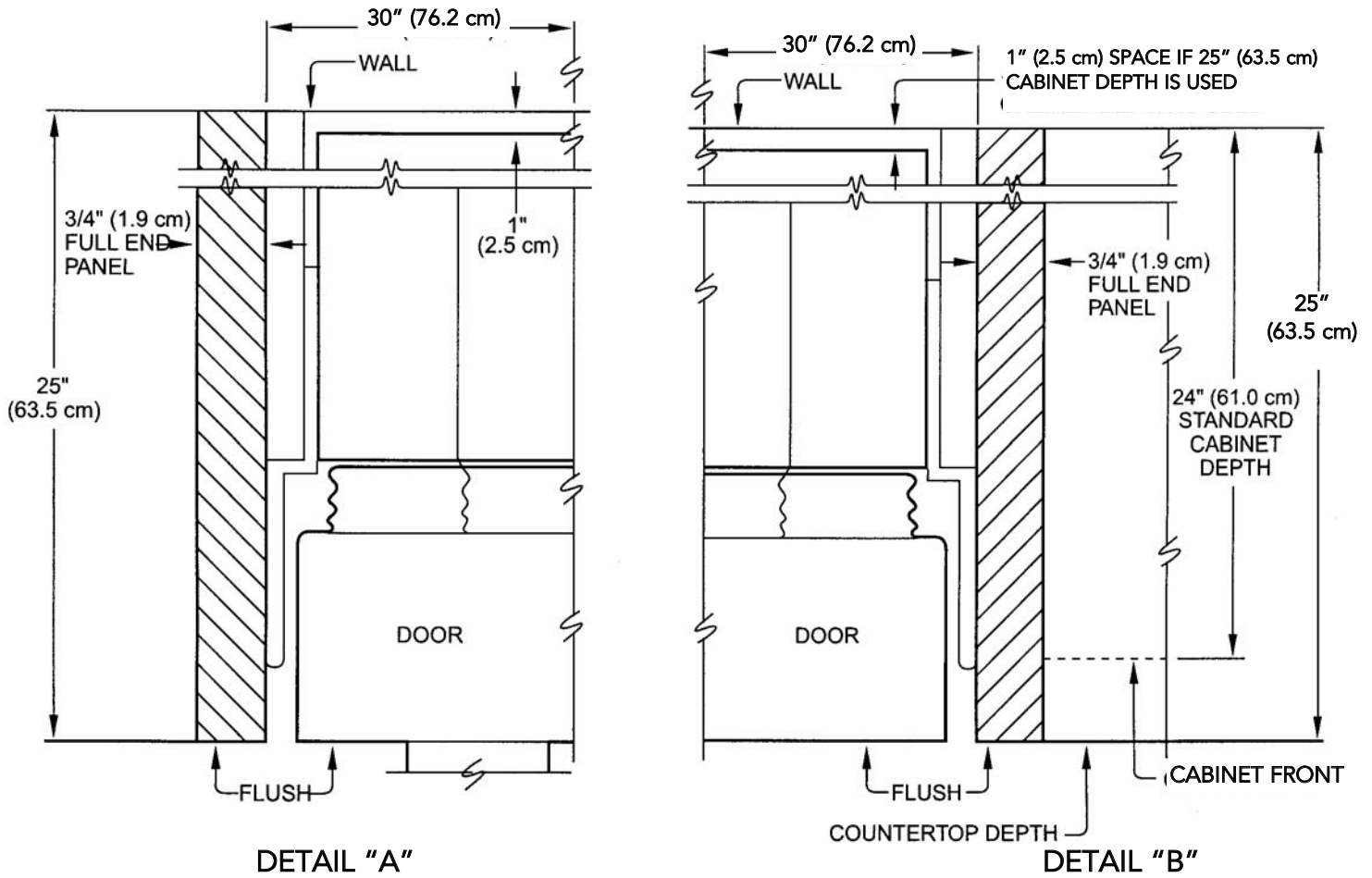


WINE CELLAR OVERALL DIMENSIONS - DESIGNER MODEL

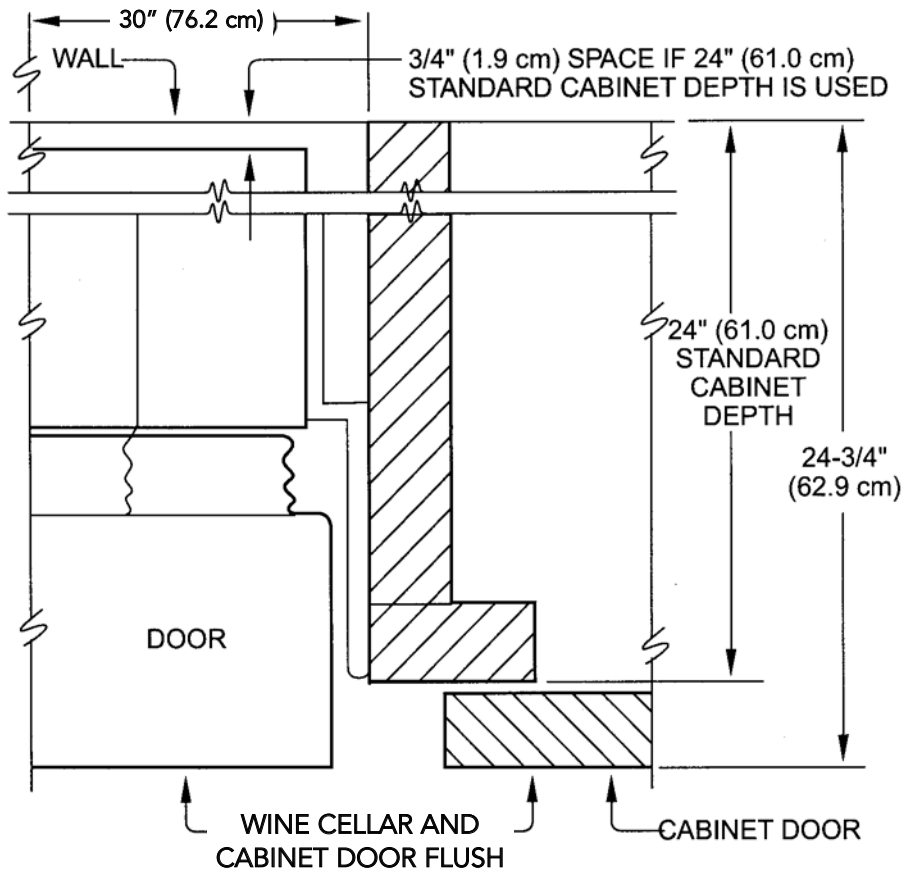


CABINET INFORMATION - DESIGNER MODEL

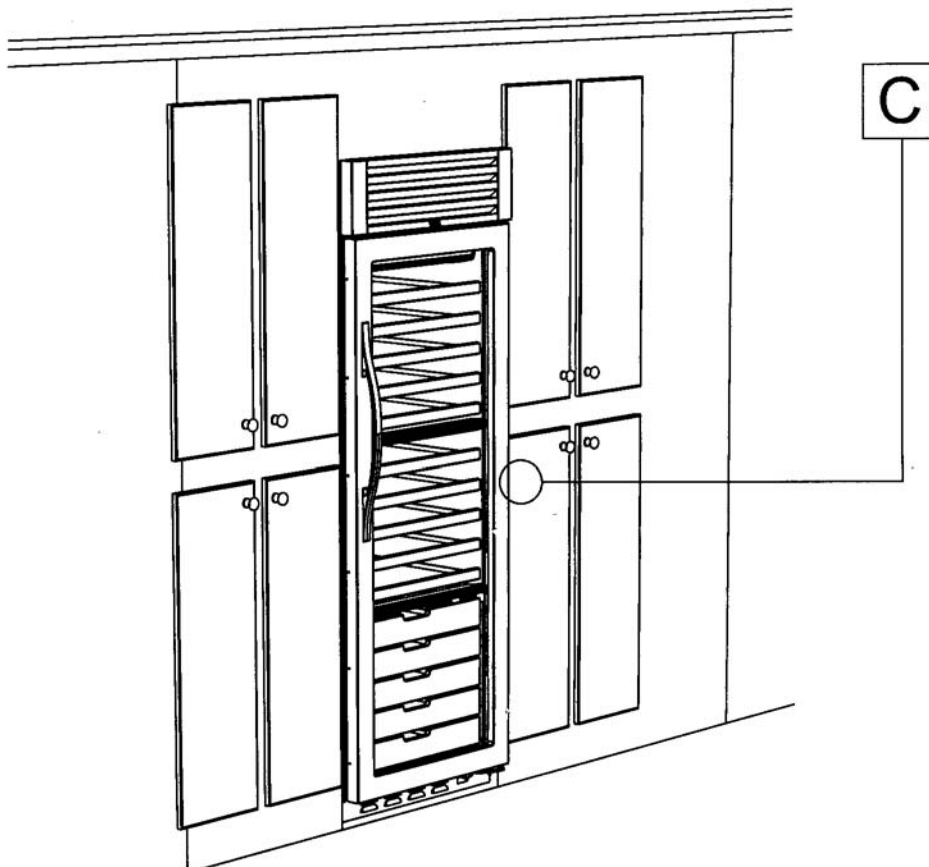
Designer models fit "flush" in standard 24" (61.0 cm) deep cabinet openings with no protrusion into the room except 2" (5.1 cm) curved handle depth



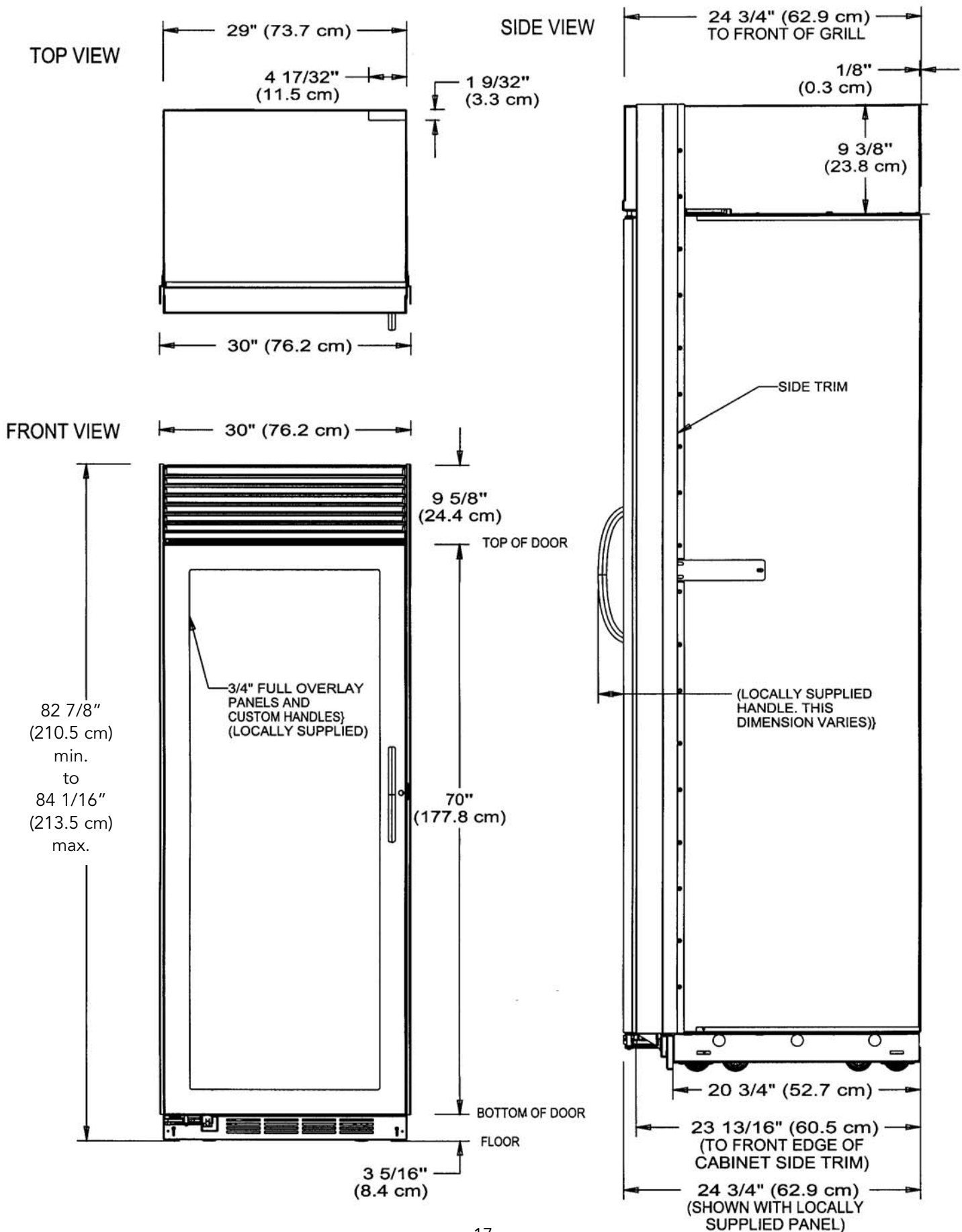
CABINET INFORMATION - DESIGNER (continued)



Detail "C"

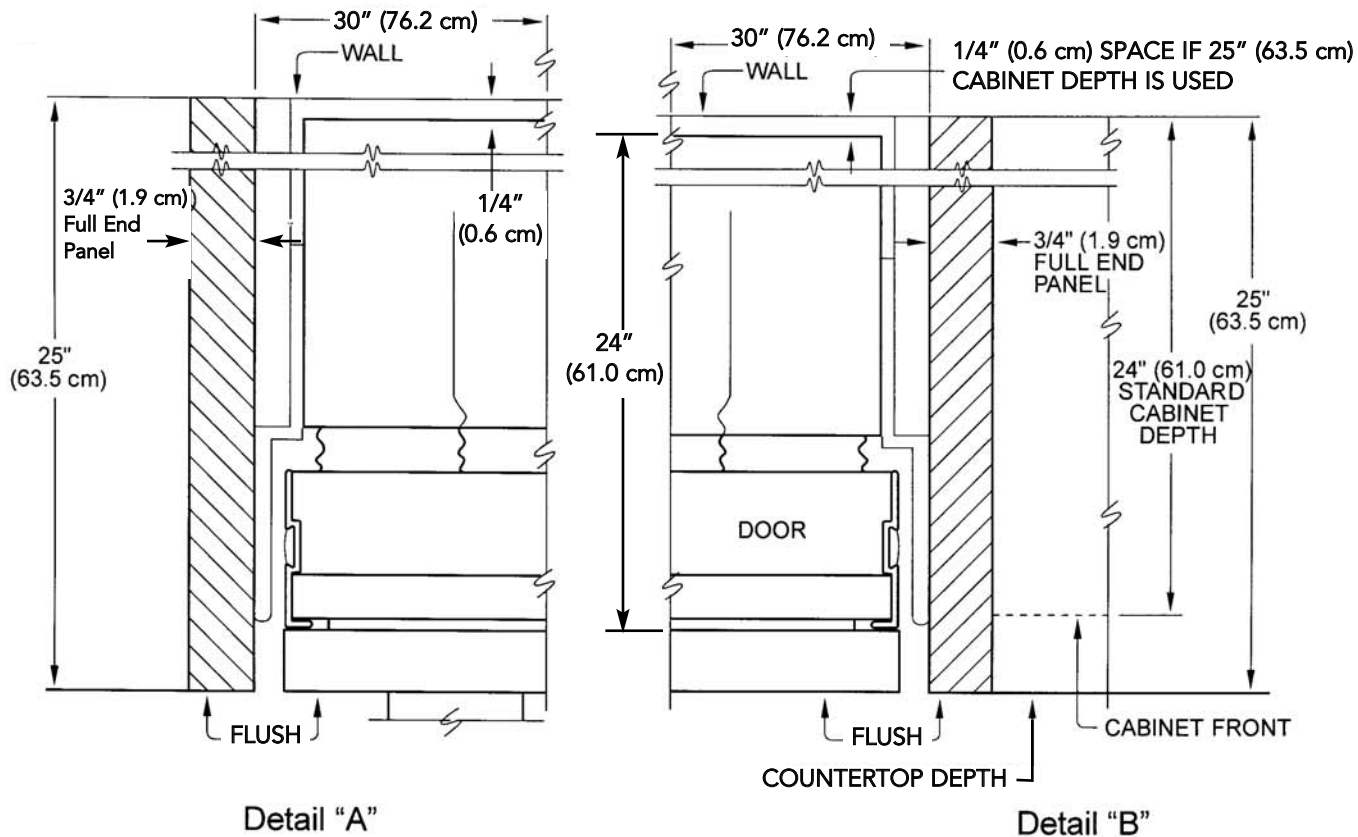


OVERALL DIMENSIONS - FULL OVERLAY MODEL



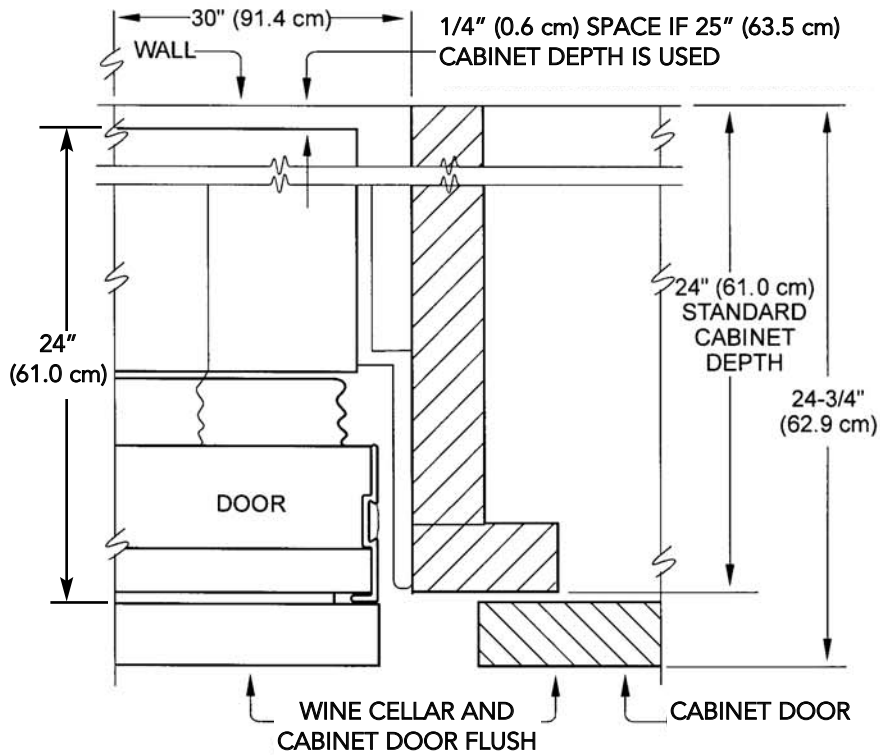
CABINET INFORMATION - FULL OVERLAY MODEL

Full overlay models, (with 3/4" [1.9 cm] thick panels and custom handles locally supplied), fit flush in 25" (63.5 cm) deep (countertop depth) cabinet openings with no protrusion into room except custom handles.

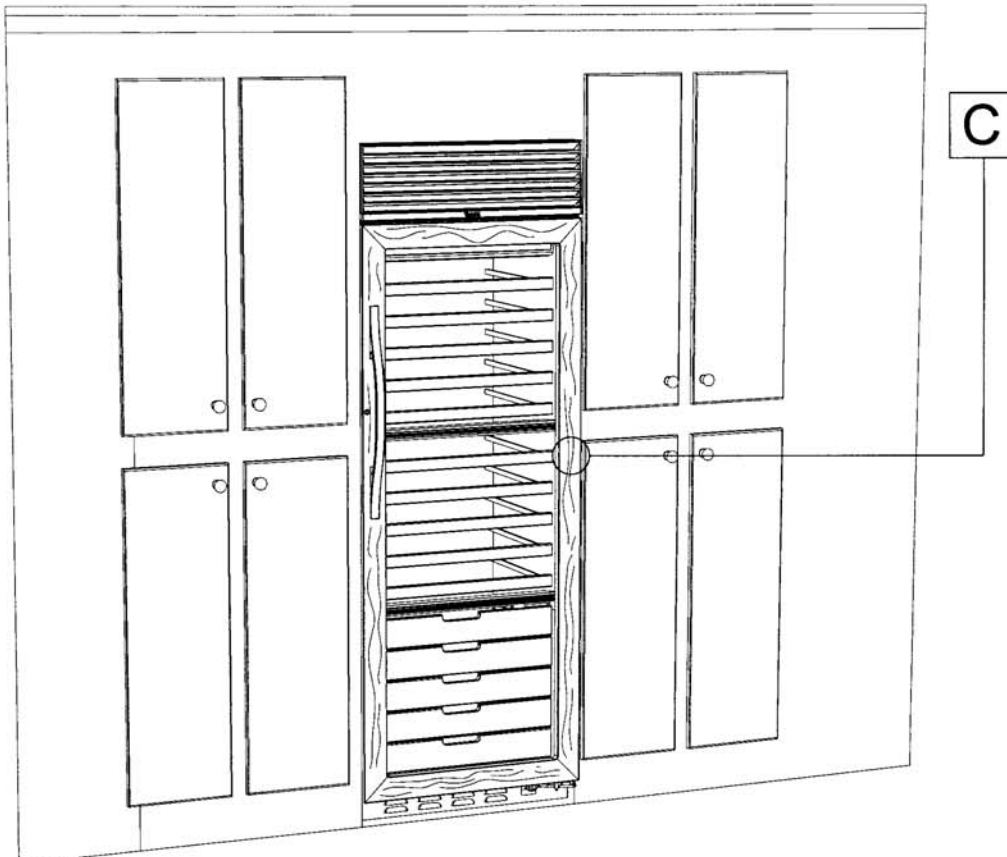


CABINET INFORMATION - FULL OVERLAY (continued)

Full overlay models can be installed in standard 24" (61.0 cm) deep openings. However, the door faces and top ventilation grille will protrude 3/4" (1.9 cm) into the room, ideal for alignment with full overlay cabinet doors.



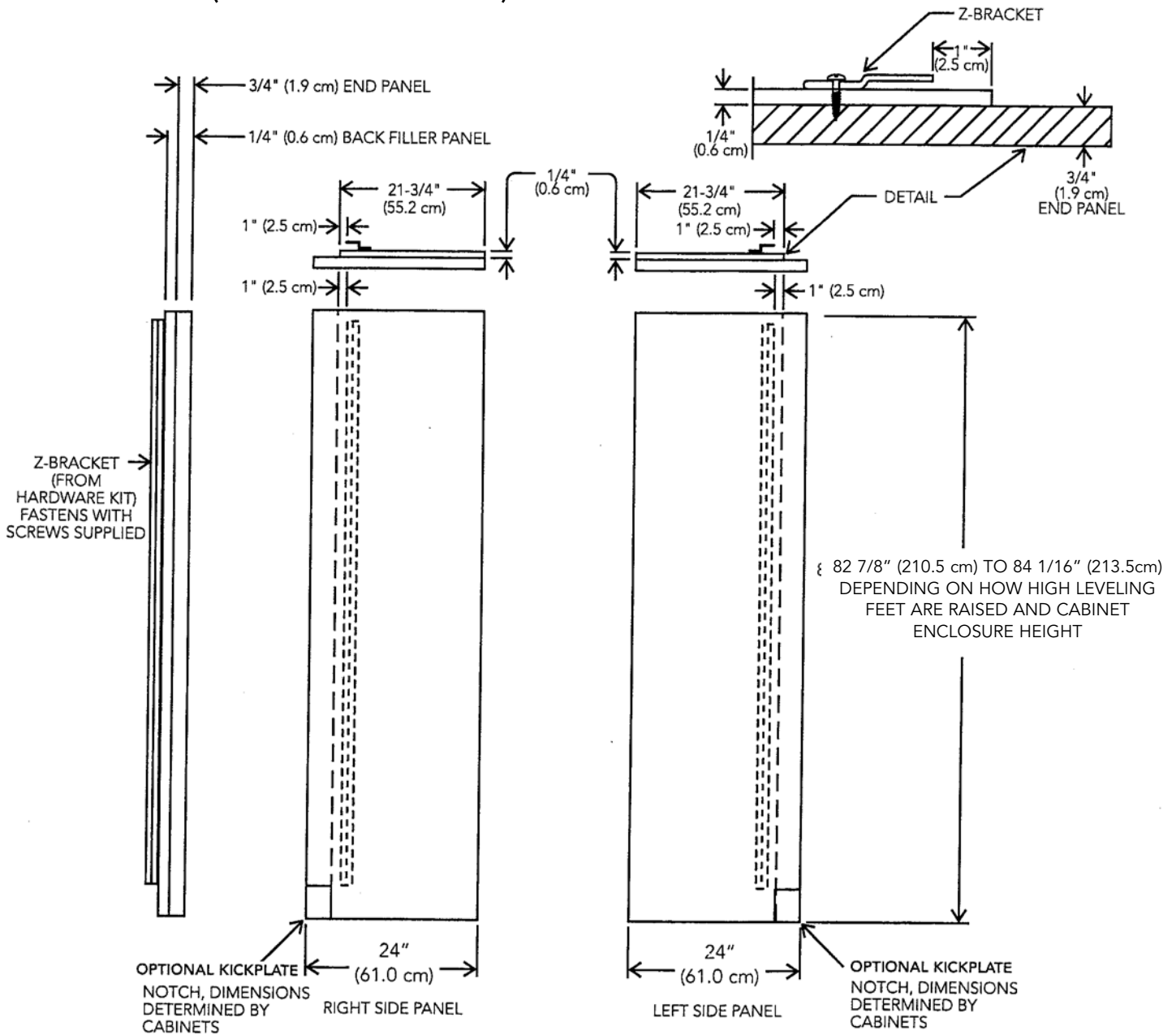
Detail "C"



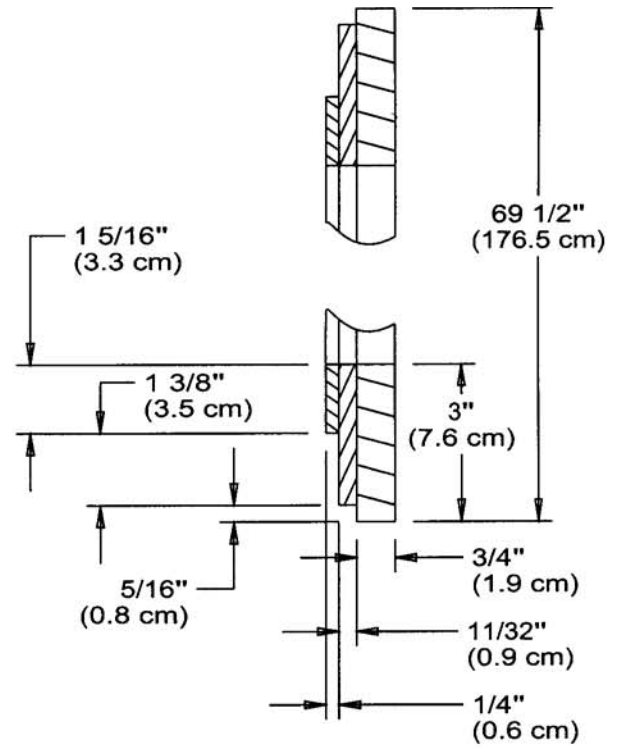
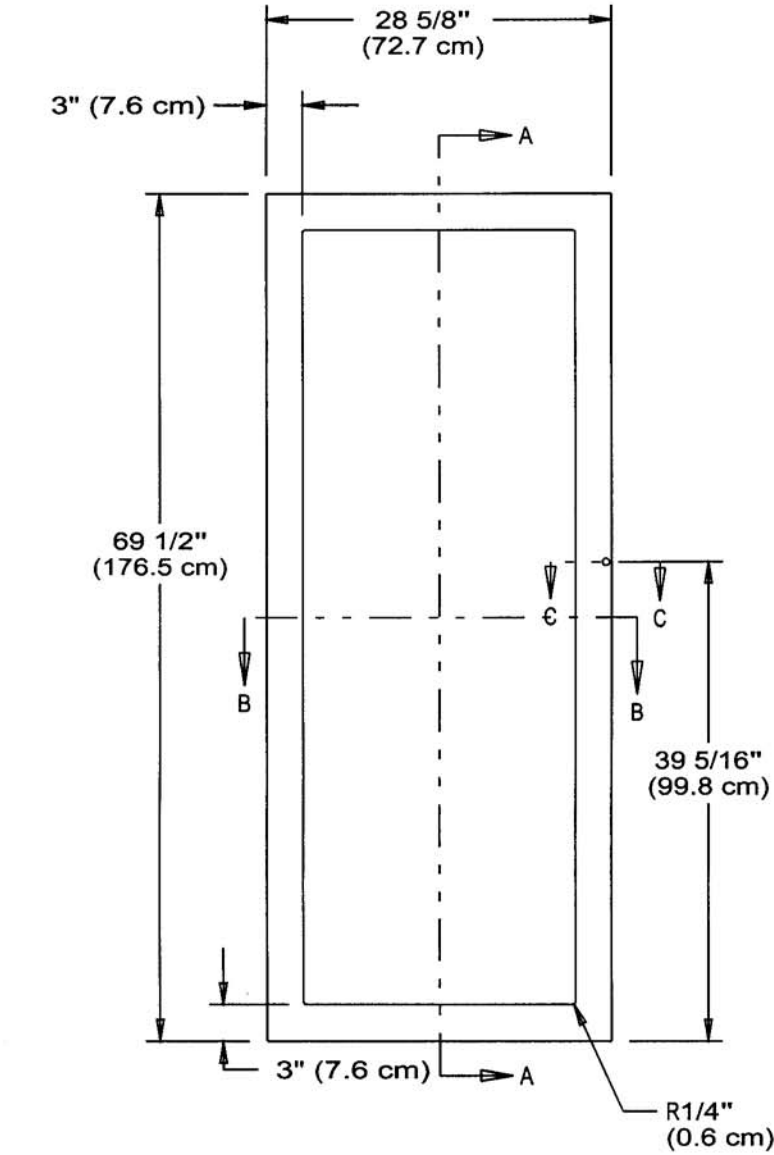
CUSTOM SIDE PANEL DIMENSIONS - DESIGNER/FULL OVERLAY

For 3/4" (1.9 cm) Side Panels

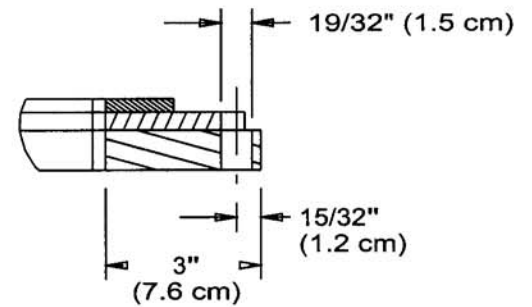
NOTE: Adding a 3/4" (1.9 cm) side panel adds an additional 3/4" (1.9 cm) to the overall width of the product for each side panel used. **Requires side panel hardware kit (Kit model number - SPHKDS)**



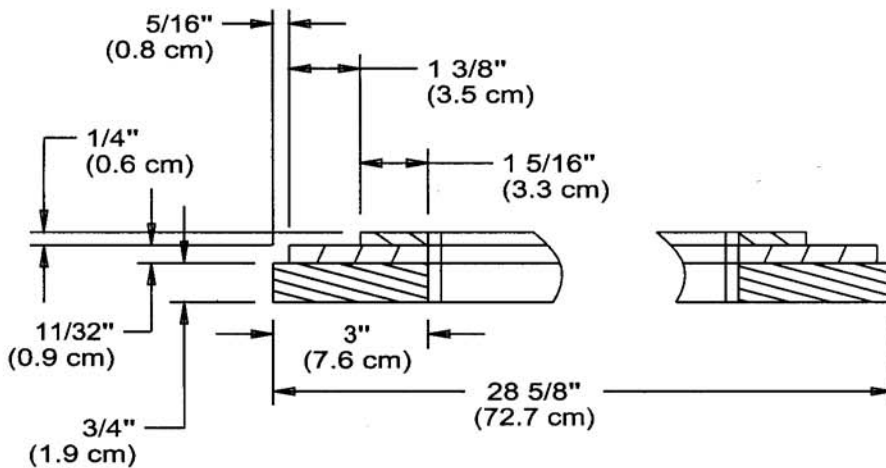
CUSTOM DOOR PANEL DIMENSIONS - FULL OVERLAY MODEL



SECTION A-A



SECTION C-C



SECTION B-B

DOOR PANEL INSTALLATION - FULL OVERLAY MODEL

Panels must not weigh more than 50 pounds per door.

Pre-drill the holes in the panel per the panel dimension instructions. (See panel dimensions for proper hole locations.)

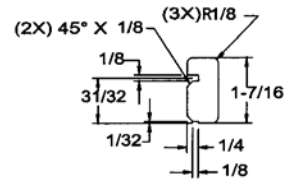
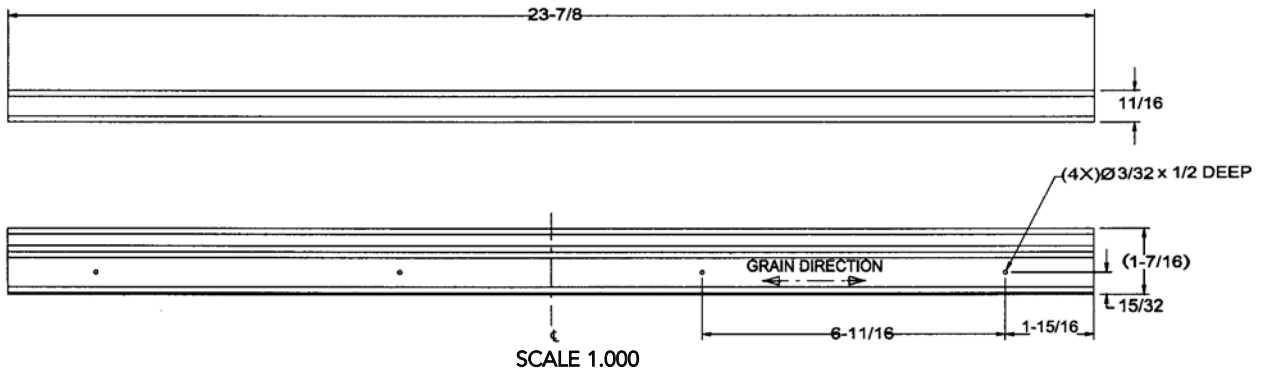
Place the panel onto the door and using 1/2" #8 wood screws, attach the panel in 12 places. (2 at the top and bottom, 4 on each side) **Note: The handle must be attached to the panel prior to installing the panel onto the door.** See panel dimensions for proper attachment locations of the handles.) Use the enclosed adhesive backed mylar pieces to cover the screws after installation of the panel.

CUSTOM WOOD FACINGS DIMENSIONS

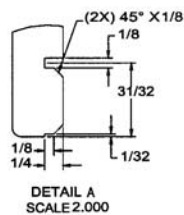
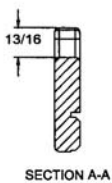
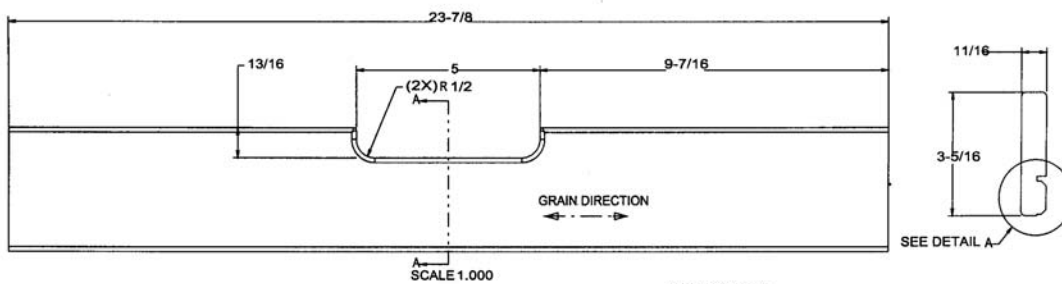
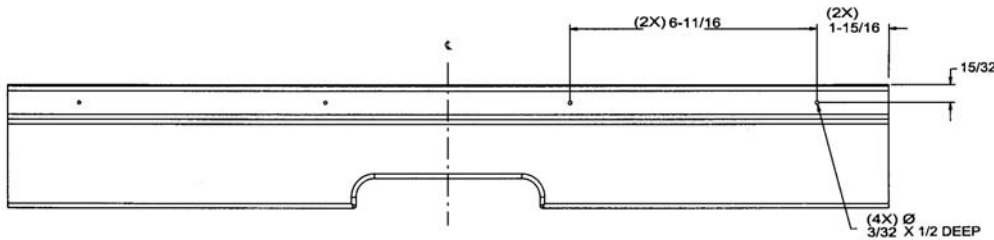
Each wine rack has a wood facing which can be removed. The facings can be stained, painted, or removed and replaced with alternative wood facings. NOTE: A scrap sample should be tested in the unit before attaching permanent changes to your wine cellar fronts. Some paints and/or stains can cause undesirable odors.

Remove the wood facing by removing the four 1/4" (.6 cm) hex head screws located on the inner edge of the wine rack. Remove the wood facing. Follow the dimensions below to cut wood facing out of alternative woods.

Short Facing Dimensions (Top Two Zones)



Tall Facing Dimensions (Lower zone)



WINE CELLAR INSTALLATION

⚠️ WARNING

Use two or more people to move and install wine cellar. Failure to follow this instruction can result in back or other injury. To avoid personal injury, wear gloves when performing any installation procedure and wear eye protection when cutting metal straps.

⚠️ WARNING

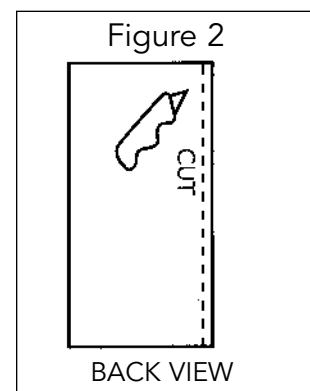
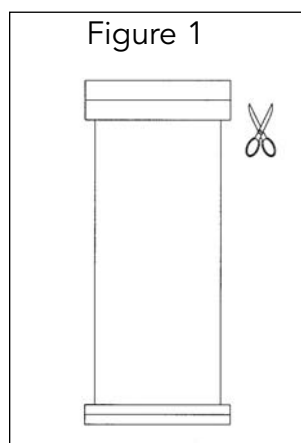


TIP OVER HAZARD

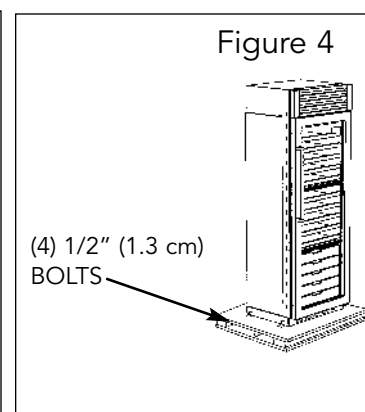
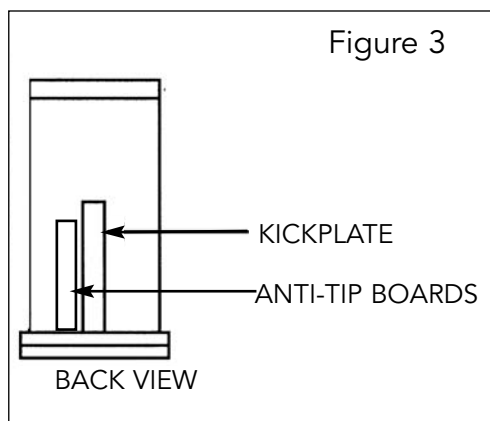
Wine cellar is top heavy and tips easily when not completely installed. Keep door closed and shelves in place until wine cellar is completely installed and secured per installation instructions. Use two or more people to move and install wine cellar. Failure to do so can result in death or serious injury.

Most of the wine cellar's weight is at the top. Extra care is needed when moving the wine cellar to prevent tipping. **Do Not** remove protective film until wine cellar is in operating position. All four leveling legs must contact the floor to support and stabilize the full weight. Do not drop wine cellar.

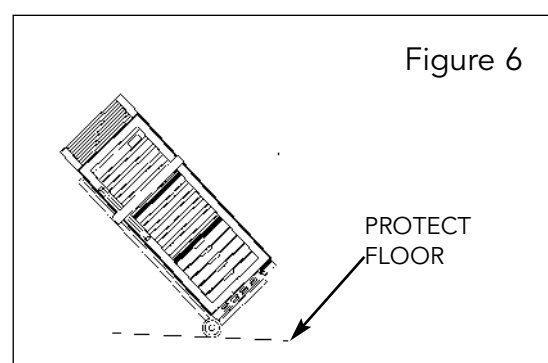
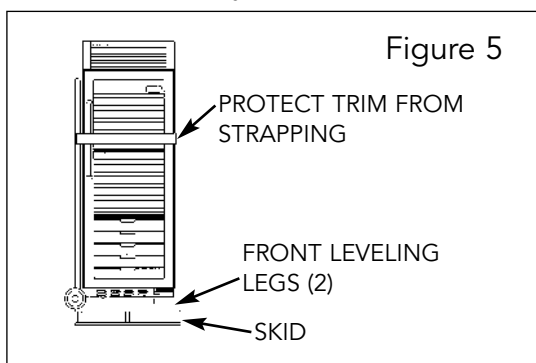
1. Remove exterior shipping materials prior to moving wine cellar into home. Remove top and bottom strap (see Figure 1).
2. Remove top cap (see Figure 1).
3. Cut carton rear approximately 1/4" (.64 cm) to 1" (2.5 cm) from right corner (see figure 2) with a utility knife extended 1/4" (.6 cm). Remove carton and exterior packaging. Save cardboard shipping material to protect floor surface when installing wine cellar. Remove anti-tip boards and kickplate from rear of wine cellar (see Figure 3).
4. Remove shipping brackets from skid by removing 4 bolts (2 each side) with a 1/2" socket head driver (see Figure 4)
 - Tilting wine cellar is not required to remove shipping brackets.



5. Slip cart between wine cellar and skid. Remove wine cellar from skid. Use excess packaging to protect decorative trim. Verify that leveling legs are up (0" adjustment) (see Figure 5).



6. To avoid floor damage, use protective material (see Figure 6).



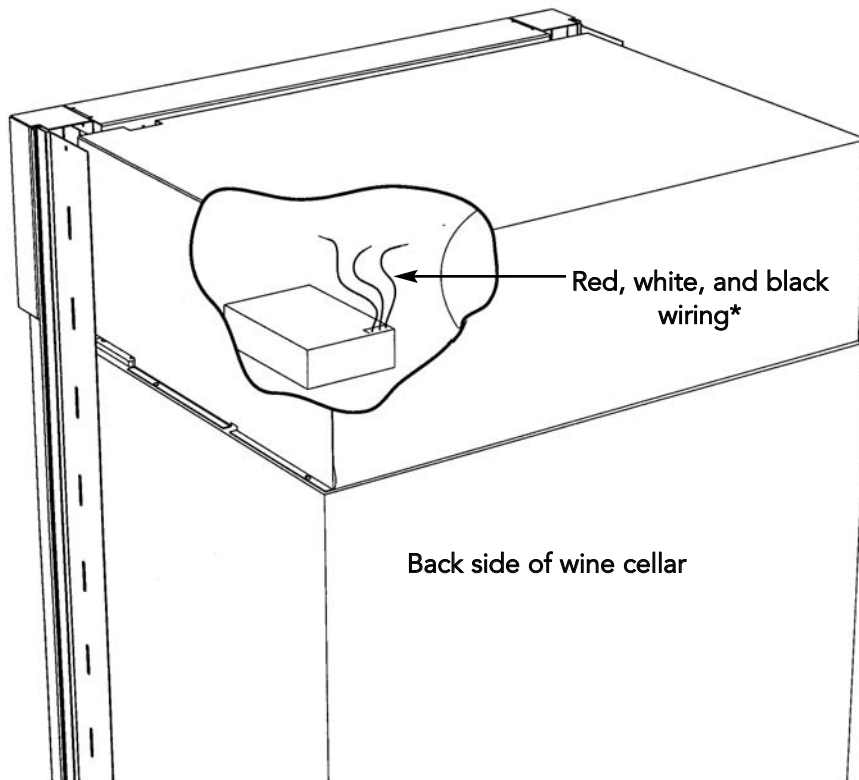
HOME SECURITY SYSTEM CONNECTION

NOTE: Contact a qualified electrician or authorized agent from alarm company to connect your home security system to the wine cellar.

Home security system connection must be hooked up before the unit is installed.

- 1) Remove the four mounting screws attaching the unit compartment cover to the cabinet. (2 per side)
- 2) Remove the grille louver assembly to access the black safety grille.
- 3) Turn power off.
- 4) Remove the four screws that attach the top grille assembly to the mounting brackets.
- 5) Remove the 3 screws at the right side of the unit that attach the safety grille to the compartment cover.
- 6) Choose the desired switching position and connect according to alarm system requirements.
- 7) Replace the unit compartment cover.

The home security system will be activated if temperatures in the wine cellar fluctuate outside of the set point by 5° for an extended time period.



*Black = common
Red = normally closed
White = normally open



WARNING

Electrical Shock Hazard
 Disconnect power at breaker or turn power disconnect switch to OFF position before performing any installation procedure. Failure to do so can result in death or electrical shock.

SECURING THE WINE CELLAR (3 OPTIONS)

OPTION 1

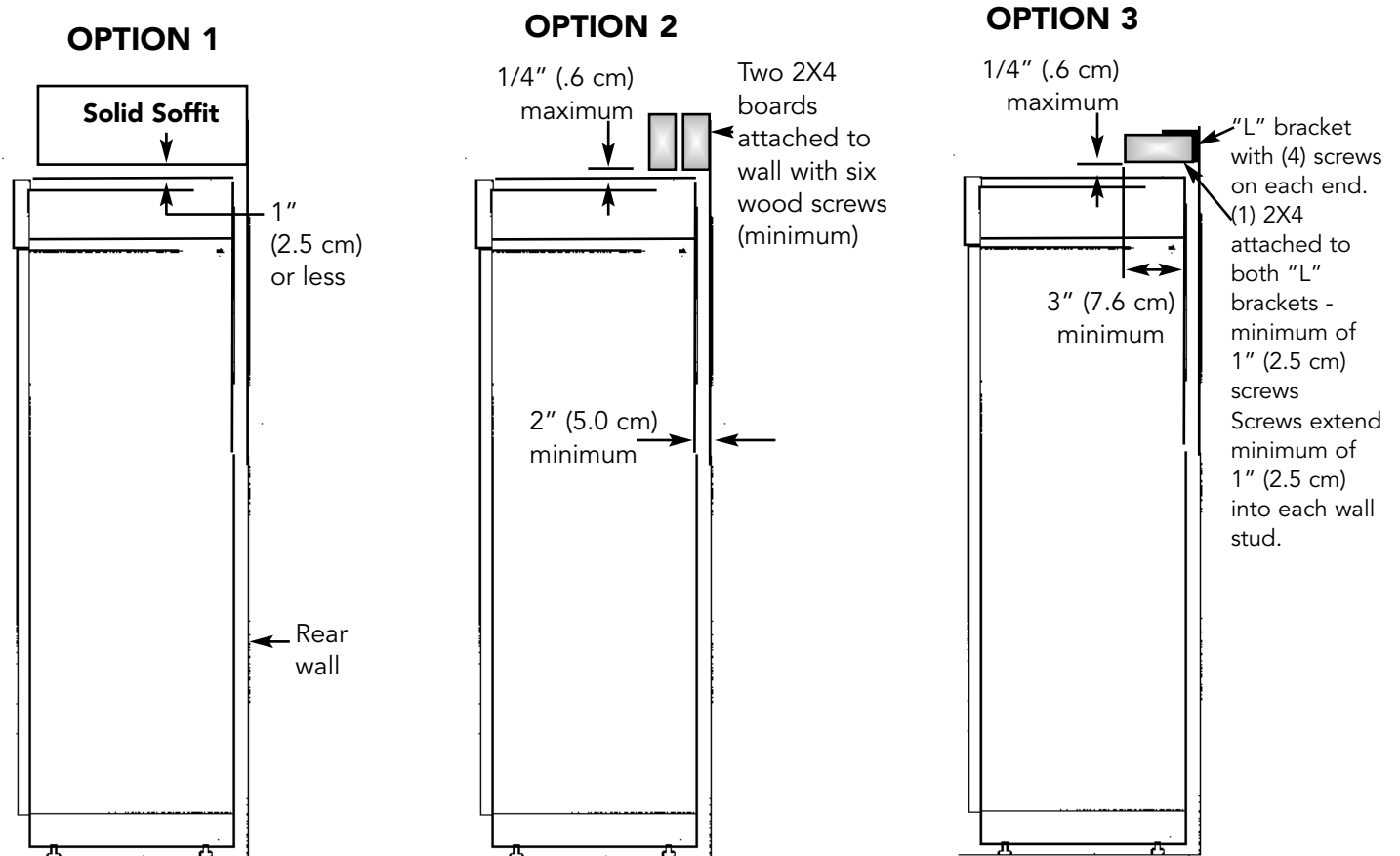
If a solid soffit is 1" (2.5 cm) or less above the wine cellar, anti-tip boards are not required. To secure the wine cellar raise unit until compartment is firmly seated under the soffit.

OPTION 2

If a solid soffit is not available or soffit is more than 1" (2.5 cm) above wine cellar, center wood boards on rear wall 1/4" (.6 cm) maximum above wine cellar. Attach wood boards to wall studs with six of the provided wood screws, making sure that screws are engaged in wall studs 1 1/2" (3.8 cm) minimum and that boards extend 2" (5.0 cm) minimum over the top rear of wine cellar compressor cover. To secure the wine cellar, raise unit until compartment is firmly seated under the anti-tip board.

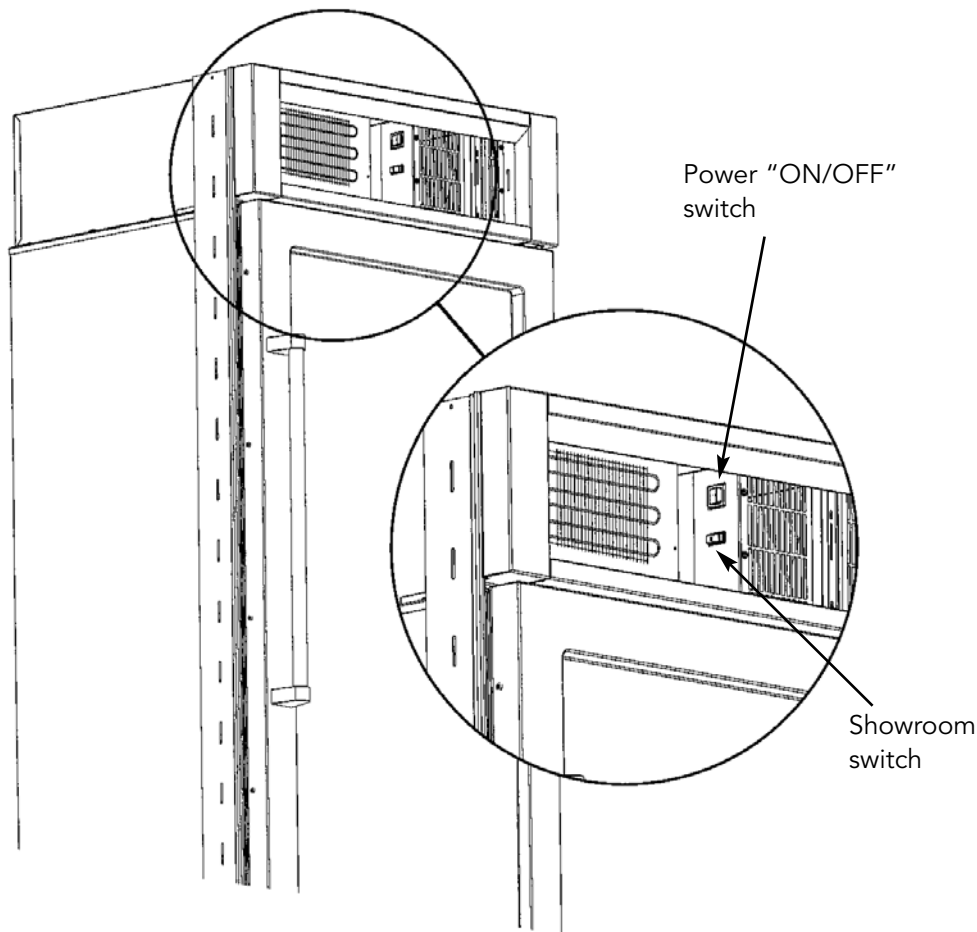
OPTION 3

Position the wood block over the unit and secure it to wall studs using eight of the provided wood screws and "L" brackets. Make sure screws extend a minimum of 1" (2.5 cm) into each of the two wall studs. The wood block must extend a minimum of 3" (7.6 cm) over the unit. To secure the wine cellar, raise unit until compartment is firmly seated under the anti-tip boards.



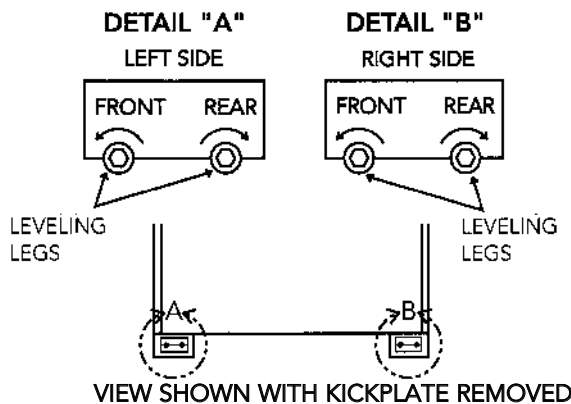
Before moving the wine cellar in place, confirm the finished dimensions, electrical location, minimum door and shelf clearances, and door panel instructions. (See pages 3, 4, & 5).

1. Position wine cellar in front of cutout.
2. Verify operation by plugging power cord in receptacle. **Power switch will be shipped in the "ON" position and showroom switch will be in the "OFF" position.** (If showroom switch is switched to the "ON" position, showroom mode is engaged and power is shut-off to the compressor. This mode is for showroom display only).



3. Roll wine cellar into cutout to within 3" (7.6 cm) of being flush with cabinets. To avoid kitchen cabinet damage, place cardboard between cabinets and wine cellar. Push cardboard back with wine cellar and remove cardboard when wine cellar is in place.
4. Lift the wine cellar off the rollers, adjust to desired height and level wine cellar by using a 5/16" hex head wrench. (Refer to Figure at the right)
 - a) To raise/lower right side rear, rotate the right side rear hex rod.
 - b) To raise/lower the left side rear, rotate the left side rear hex rod.
 - c) To raise/lower the right side front, rotate the right side front hex rod.
 - d) To raise/lower the left side front, rotate the left side front hex rod.

NOTE: DO NOT use an electric driving device. Overtightening can cause damage.



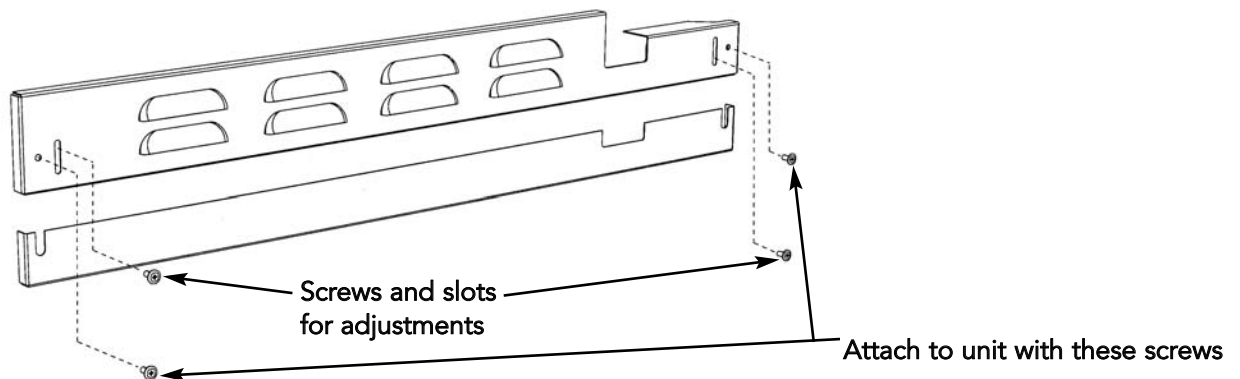
5. Align wine cellar with sides of cabinets by adjusting leveling legs. Rotate leveling legs until firmly in place against floor.
6. To secure wine cellar, raise unit until compartment cover is firmly seated under the soffit or anti-tip boards.
7. Open door. Control panel should be lit. Verify the position of the power on/off and showroom switch if there is no power to wine cellar.

KICKPLATE INSTALLATION

The kickplate consists of a two (2) part assembly: one top louvered panel and one bottom solid panel. Install the kickplate with louvered section on the top. Flooring must allow the kickplate to be removed. See "Site Preparations" for height clearance (page 3).

To install:

1. Insert the bottom (solid) panel into the open end of the top (louvered) panel. The holes in the bottom panel should line up with the slots in the top panel.
2. Position the kickplate assembly along the front edge of the wine cellar.
3. Align the holes on both ends of the top (louvered) panel with the holes in the base of the wine cellar.
4. Attach the kickplate to the wine cellar on each side with the two black phillips head screws provided.
5. Adjust the bottom (solid) panel to the desired height and fasten in place by tightening the screws in the slots. There is approximately 1" (2.5 cm) of vertical adjustment on the kickplate.

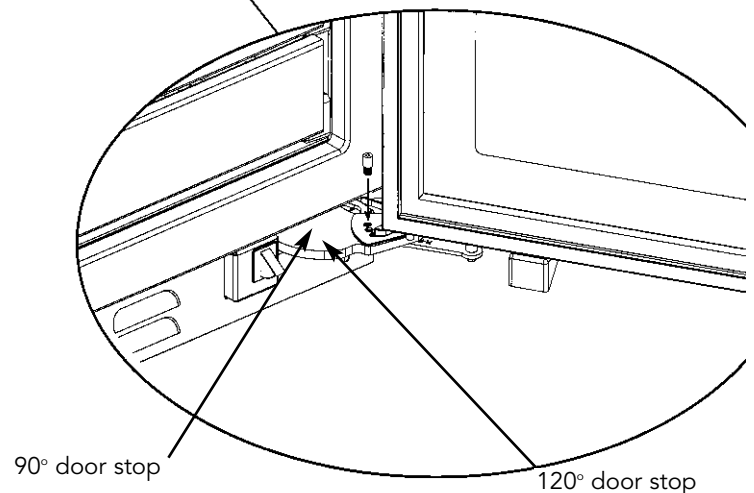
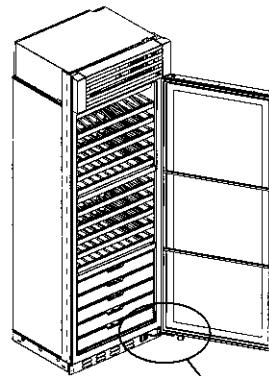


DOOR STOP ADJUSTMENT

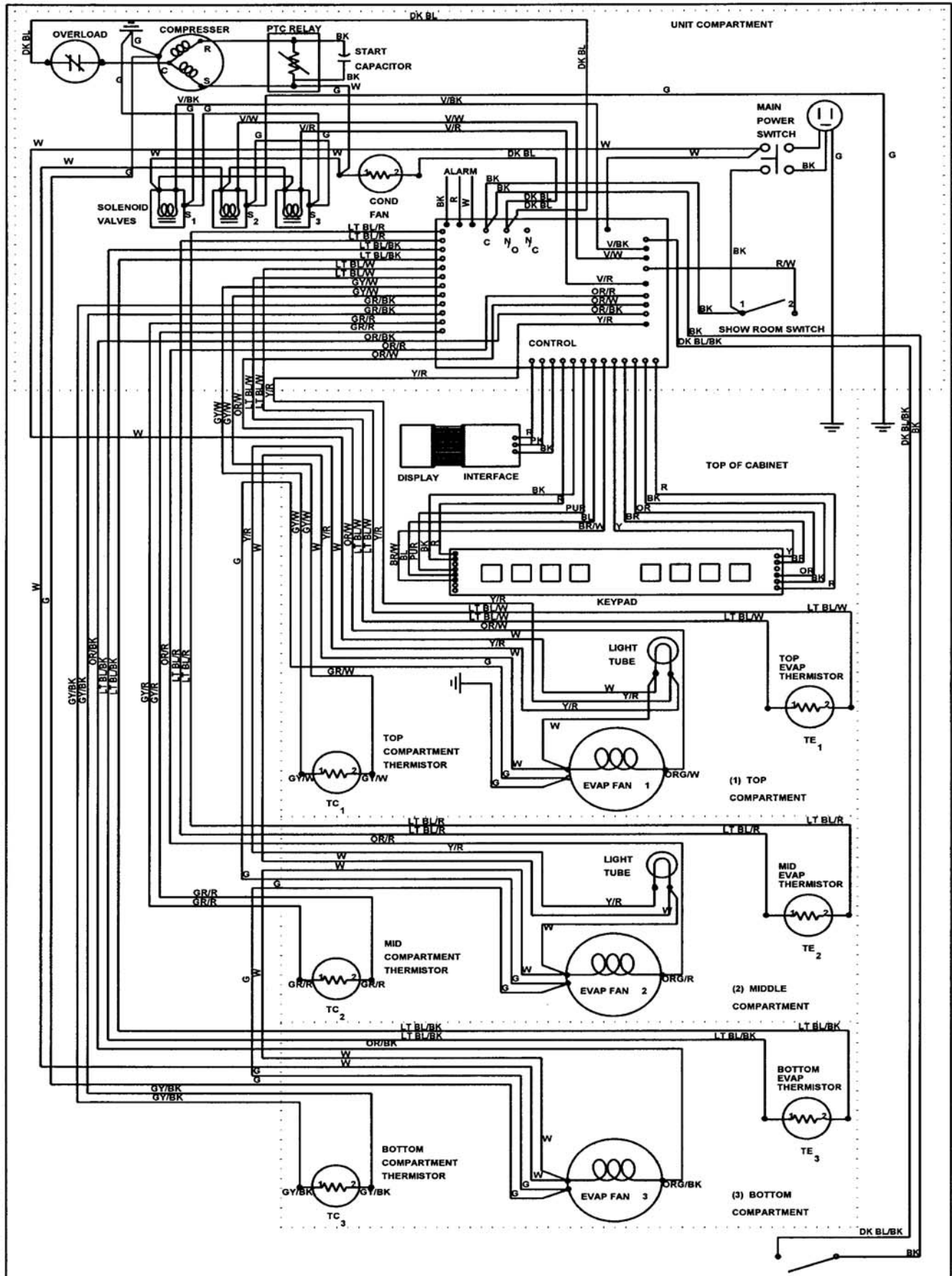
1. Using a 3/16" allen wrench, remove door stop pin located in bottom hinge.
2. The pin is factory set 110°. For 120° swing, move the pin to the utmost forward stop hole. For 90° swing, move the pin to the utmost rear stop hole.

HINGE ADJUSTMENT

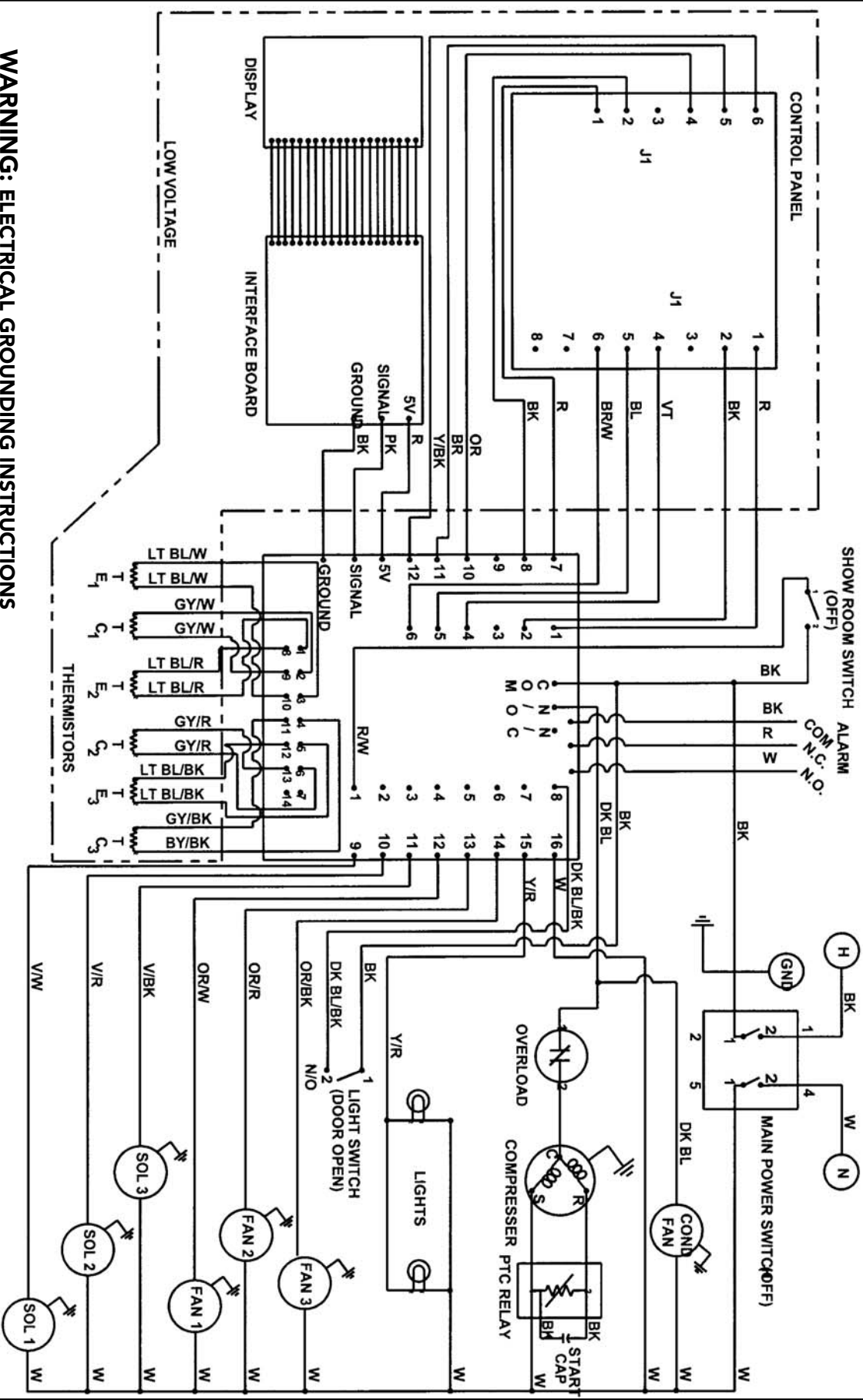
1. Using a 3/16" allen wrench, remove the door stop pin located in bottom hinge.
2. Using the height adjustment shim as a wrenching device, rotate the height adjustment bushing counterclockwise to raise or clockwise to lower the location of the door.
3. When proper adjustment is reached, align shim with door stop pin holes and replace door stop pin. Firmly tighten pin in place.



WIRING DIAGRAM BUILT-IN FULL HEIGHT WINE CELLAR



WIRING SCHEMATIC BUILT-IN FULL HEIGHT WINE CELLAR



WARNING: ELECTRICAL GROUNDING INSTRUCTIONS

This appliance is equipped with a three prong grounding plug for your protection against shock hazard and should be plugged directly into a properly grounded three prong receptacle. DO NOT CUT OR REMOVE THE GROUNDING PRONG FROM THIS PLUG.

REFER ONLY TO FEATURES WHICH ARE EQUIPPED WITH THIS UNIT.

VIKING RANGE CORPORATION
111 Front Street • Greenwood, Mississippi 38930 USA • (662) 455-1200

Specifications subject to change without notice
www.vikingrange.com