

CUSTOM PANEL-REFRIGERATION

Built-In 30"W. Full Height Wine Cellar—DFWB300

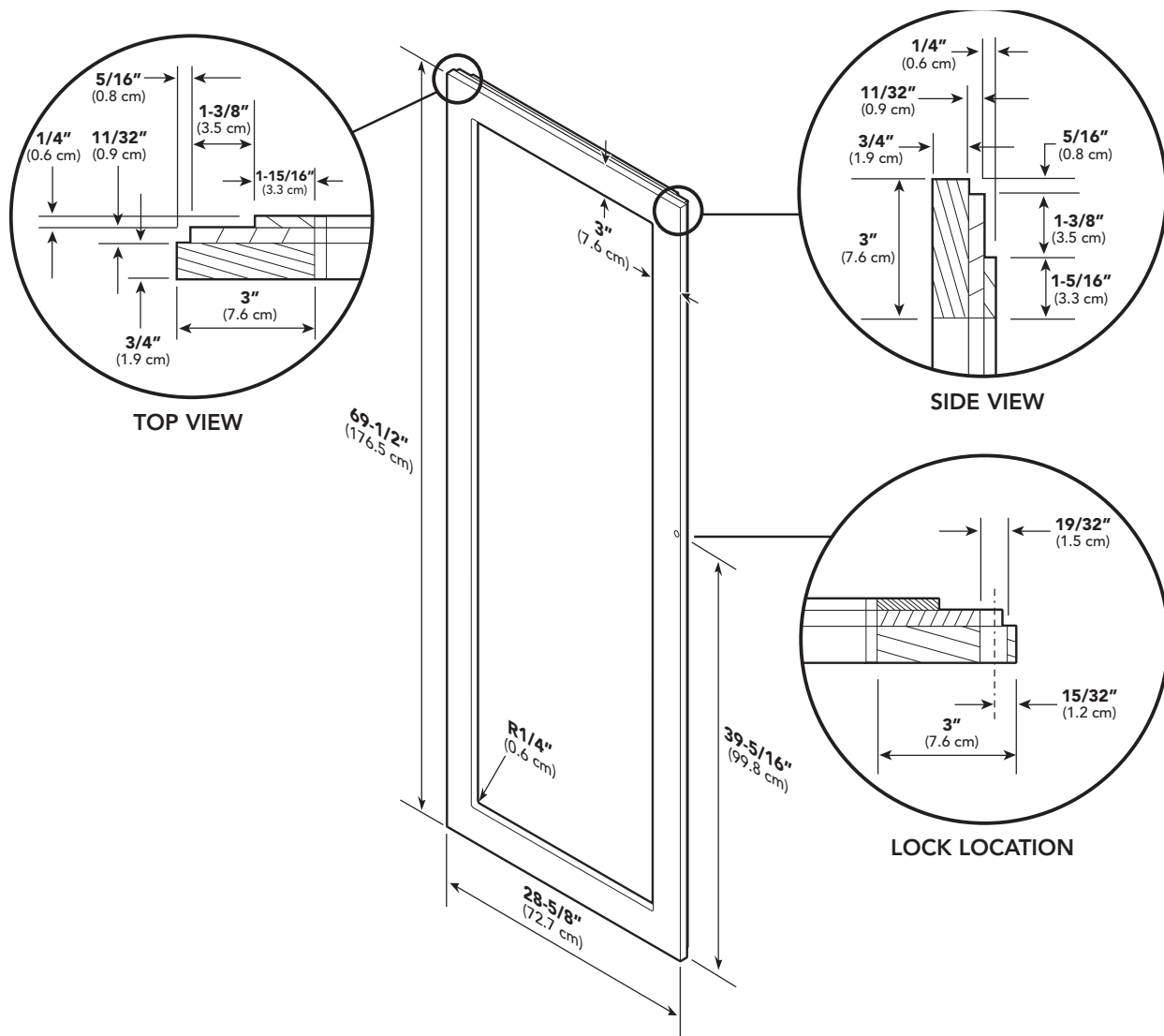


Dimensions & Specifications

CUSTOM PANEL DIMENSIONS



DFWB300



DFWB300	
Overall panel width	$28\frac{5}{8}"$ (72.7 cm)
Overall panel height	$69\frac{1}{2}"$ (176.5 cm)
Overall panel depth	$1\frac{11}{32}"$ (3.4 cm)
Maximum panel weight	50 lbs. (22.7 kg)



CUSTOM PANEL-REFRIGERATION

Built-In 30"W. Full Height Wine Cellar—DFWB300

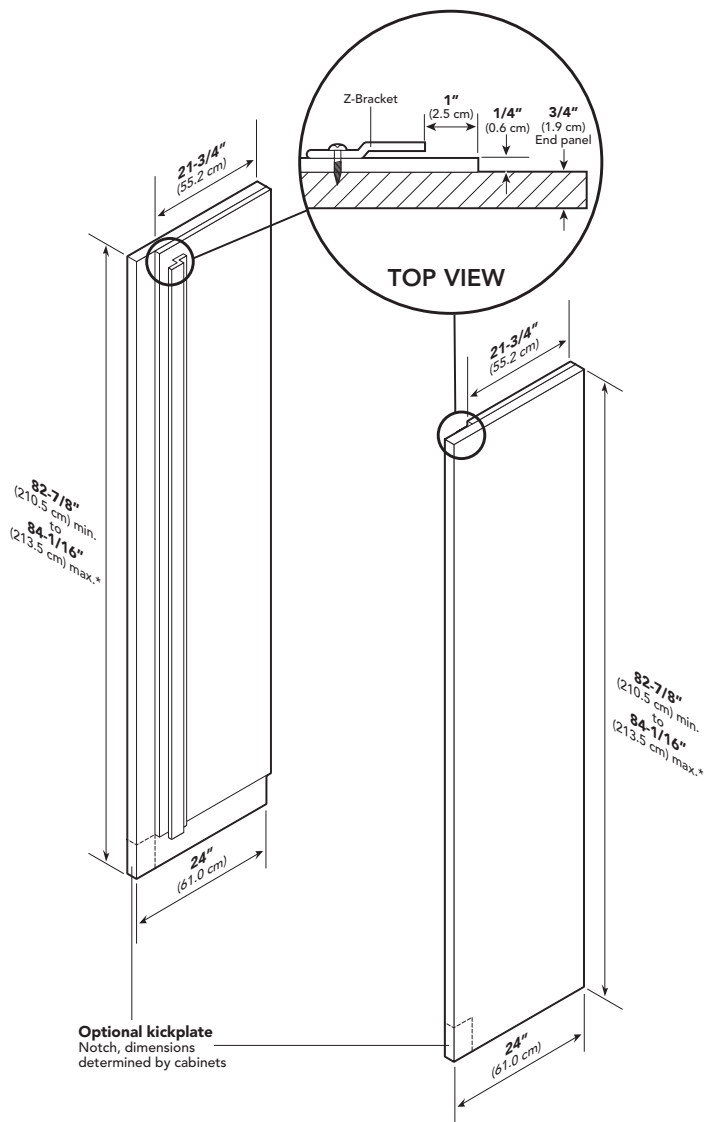


Dimensions & Specifications

CUSTOM SIDE PANEL DIMENSIONS



DFWB300



Note: Adding a 3/4" (1.9 cm) side panel adds an additional 3/4" (1.9 cm) to the overall width of the product for each side panel. Requires side panel hardware kit (Kit model number – SPHKDS)

DFWB300	
Overall panel width	3/4" (1.9 cm)
Overall panel height	82-7/8" (210.5 cm) min. to 84-1/16" (213.5 cm) max.*
Overall panel depth	24" (61.0 cm)

*Depending on how high leveling feet are raised and cabinet enclosure height.



CUSTOM PANEL-REFRIGERATION

Built-In 30"W. Full Height Wine Cellar—DFWB300

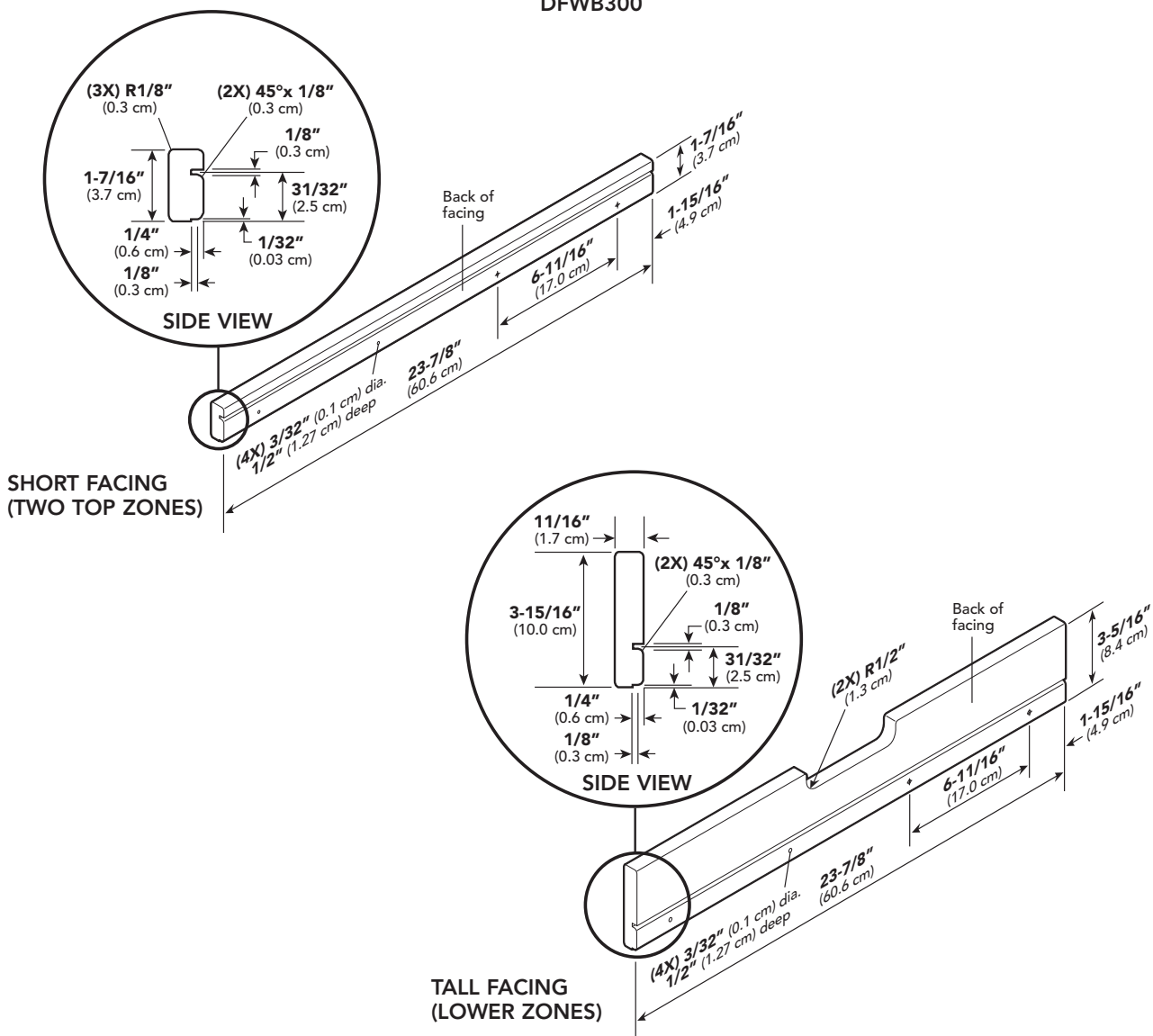


Dimensions & Specifications

CUSTOM SHELF FACING DIMENSIONS



DFWB300



DFWB300	
Overall shelf facing width	23-7/8" (60.6 cm)
Overall shelf facing height	
Short facing	1-7/16" (3.7 cm)
Tall facing	3-5/16" (8.4 cm)
Overall shelf facing depth	11/16" (1.7 cm)

