

CUSTOM PANEL-REFRIGERATION
Quiet Cool™ Built-In 30"/36"W. All Refrigerator/All Freezer
—DFRB530/536, DFFB530/536



Dimensions & Specifications

CUSTOM PANEL DIMENSIONS



DFRB530



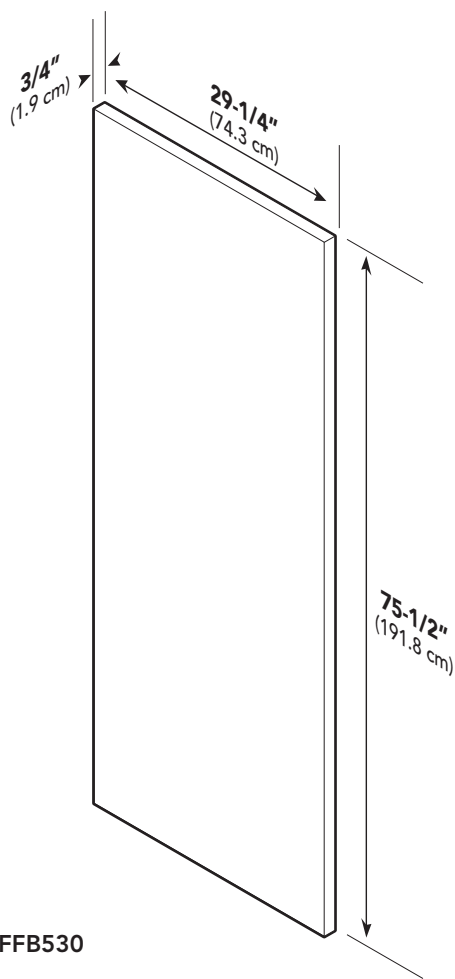
DFRB536



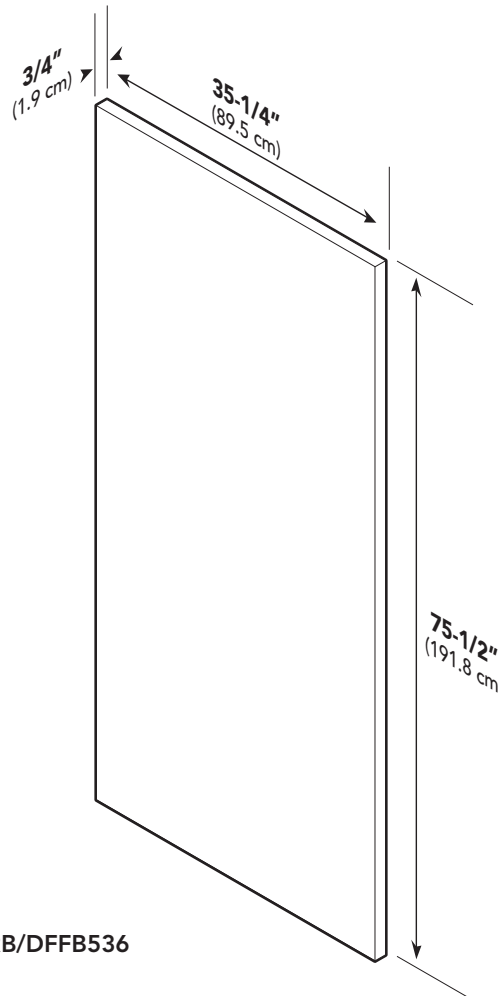
DFFB530



DFFB536



DFRB/DFFB530



DFRB/DFFB536

Note: Panel overlays must be dry, solid, straight one piece panels. The use of multiple panel pieces to achieve the dimensions is not recommended.

	DFRB530	DFRB536	DFFB530	DFFB536
Overall panel width	29-1/4" (74.3 cm)	35-1/4" (89.5 cm)	29-1/4" (74.3 cm)	35-1/4" (89.5 cm)
Overall panel height	75-1/2" (191.8 cm)			
Overall panel depth	3/4" (1.9 cm)*			
Maximum panel weight	50 lbs. (22.7 kg)	60 lbs. (27.2 kg)	50 lbs. (22.7 kg)	60 lbs. (27.2 kg)

*Panel thickness must not exceed 1" (2.5 cm) on hinge side. Thicker panels will interfere with door swing and clearance.



CUSTOM PANEL-REFRIGERATION
Quiet Cool™ Built-In 30"/36"W. All Refrigerator/All Freezer
—DFRB530/536, DFFB530/536



Dimensions & Specifications

CUSTOM SIDE PANEL DIMENSIONS



DFRB530



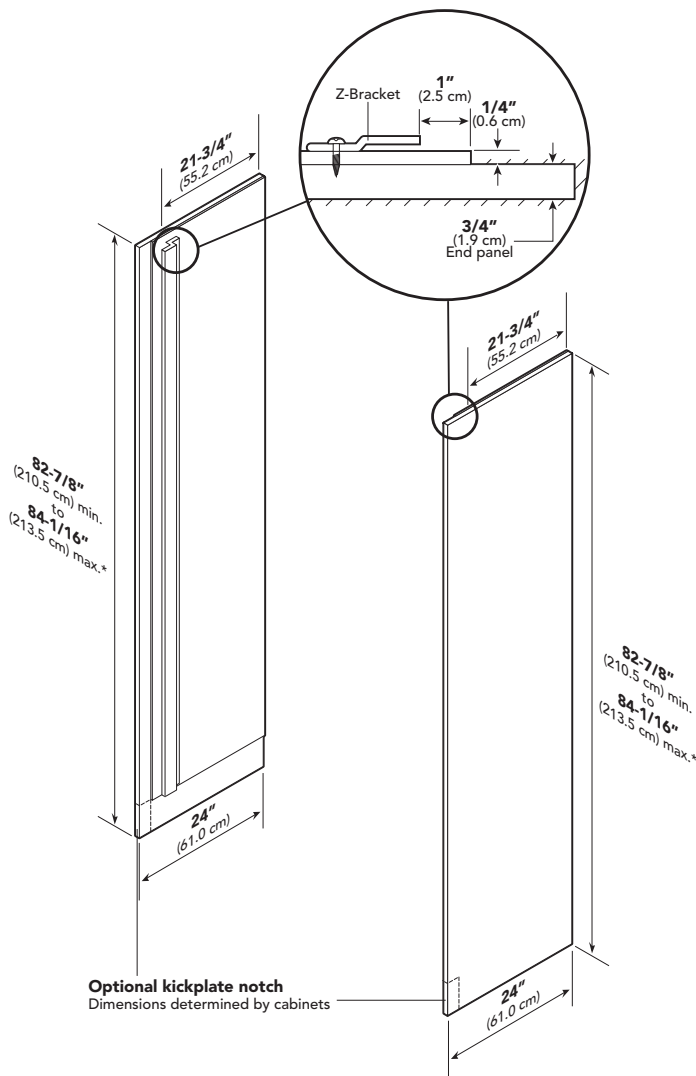
DFRB536



DFFB530



DFFB536



Note: Adding a 3/4" (1.9 cm) side panel adds an additional 3/4" (1.9 cm) to the overall width of the product for each side panel. Requires side panel hardware kit (Kit model number – SPHKDS)

DFRB530/DFRB536/DFFB530/DFRB536	
Overall panel width	3/4" (1.9 cm)
Overall panel height	82-7/8" (210.5 cm) min. to 84-1/16" (213.5 cm) max.*
Overall panel depth	24" (61.0 cm)

*Depending on how high leveling feet are raised and cabinet enclosure height.





Dimensions & Specifications

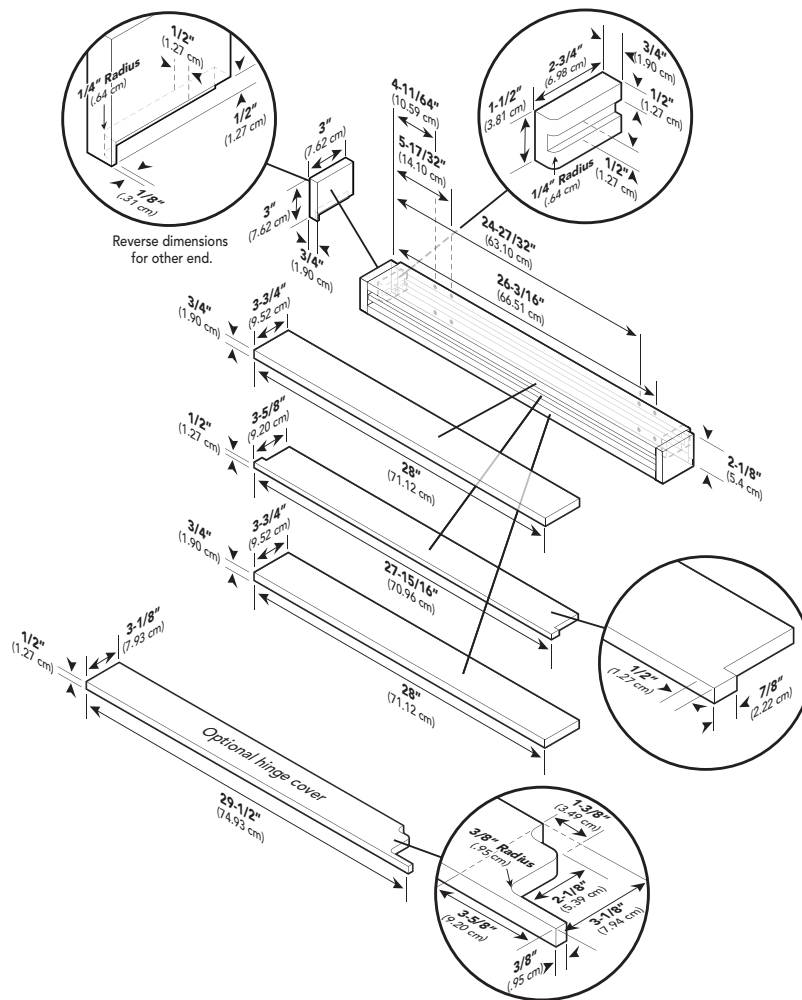
CUSTOM GRILLE DIMENSIONS



DFRB530



DFFB530



DFRB/DFFB530	
Overall grille width	29-1/2" (74.9 cm)
Overall grille height	3" (7.6 cm)
Overall grille depth	3-3/4" (9.5 cm)





Dimensions & Specifications

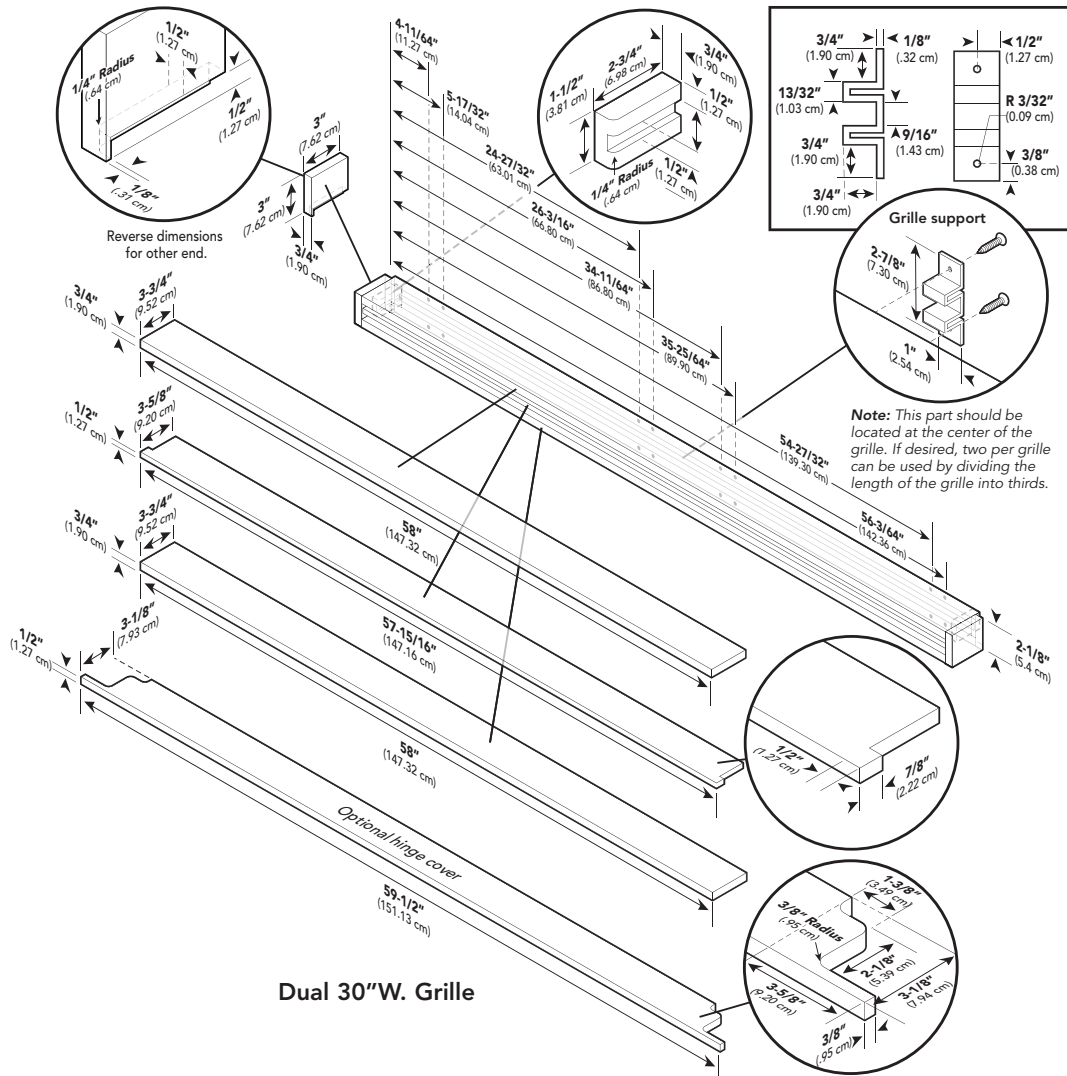
CUSTOM GRILLE DIMENSIONS – DUAL 30"W. ALL REFRIGERATOR/ALL FREEZER INSTALLATION



DFRB530



DFFB530



Note: Dual units can only be made in a left and right hand configuration. To use a custom 60"W. grille, you must purchase the center trim kit FCKSS.

DFRB530/DFFB530	
Overall grille width	59-1/2" (151.1 cm)
Overall grille height	3" (7.6 cm)
Overall grille depth	3-3/4" (9.5 cm)





Dimensions & Specifications

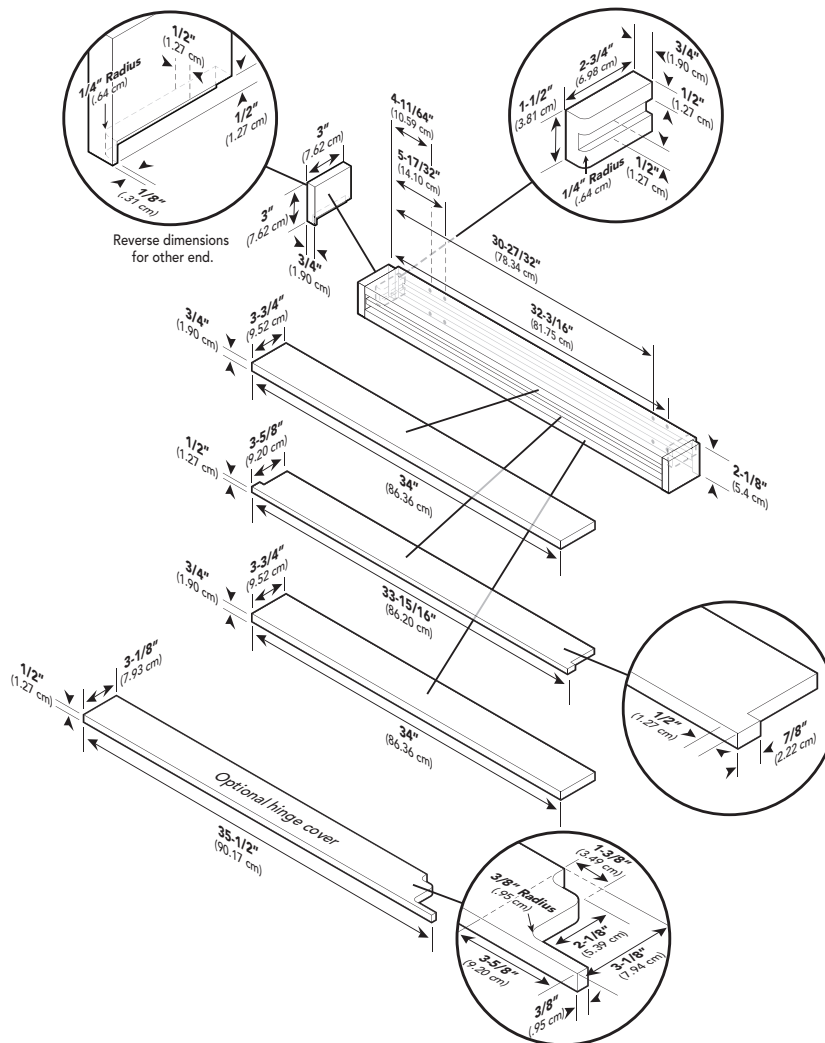
CUSTOM GRILLE DIMENSIONS



DFRB536



DFFB536



DFRB/DFFB536	
Overall grille width	35-1/2" (90.1 cm)
Overall grille height	3" (7.6 cm)
Overall grille depth	3-3/4" (9.5 cm)



CUSTOM PANEL-REFRIGERATION



Quiet Cool™ Built-In 30"/36"W. All Refrigerator/All Freezer

—DFRB530/536, DFFB530/536—(1) 30" Unit & (1) 36" Unit

Dimensions & Specifications

CUSTOM GRILLE DIMENSIONS – DUAL ALL REFRIGERATOR/ALL FREEZER INSTALLATION

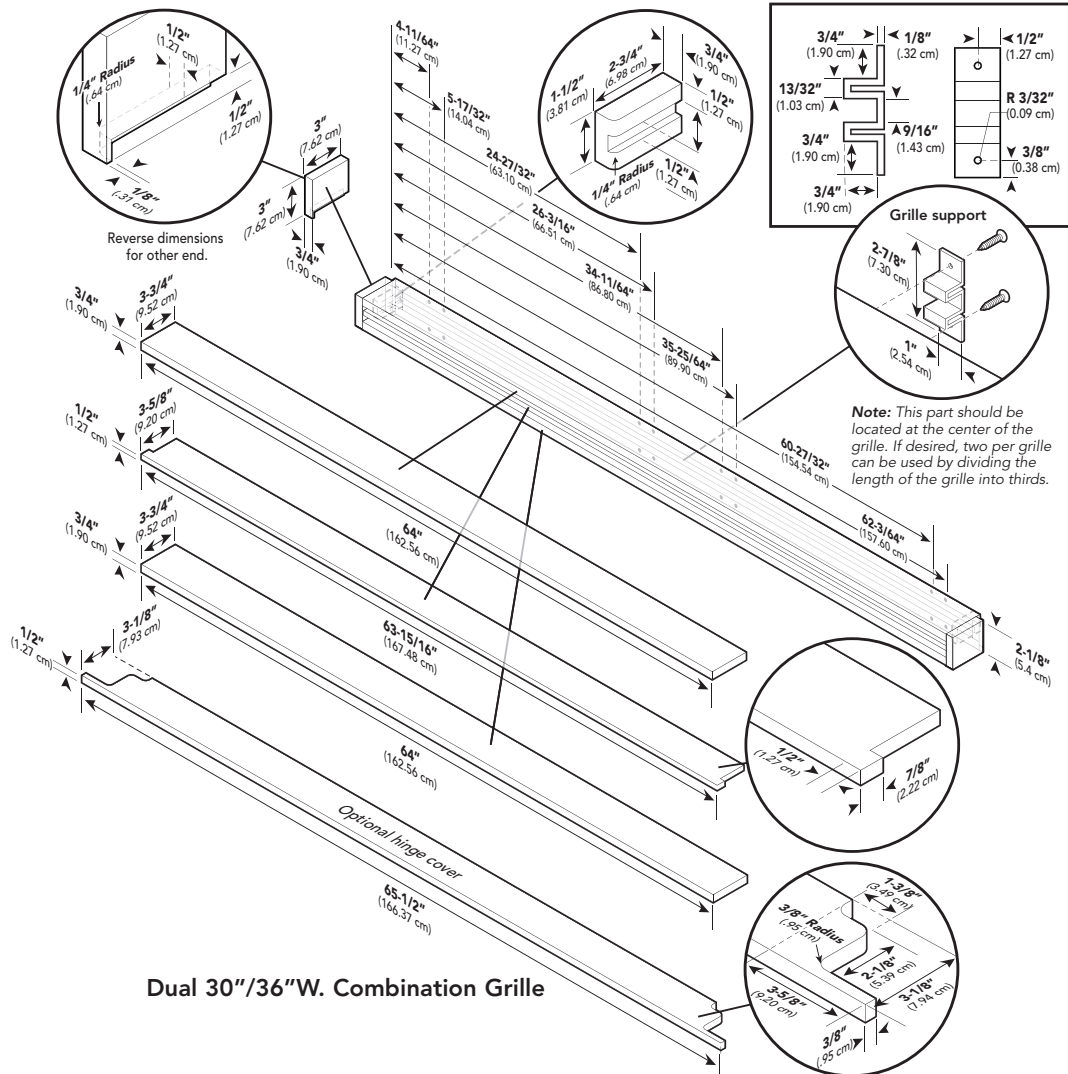


DFRB530

DFRB536

DFFB530

DFFB536



Note: Dual units can only be made in a left and right hand configuration. To use a custom 66"W. grille, you must purchase the center trim kit FCTKSS.

	DFRB530	DFRB536	DFFB530	DFFB536
Overall grille width			65-1/2" (166.4 cm)	
Overall grille height			3" (7.6 cm)	
Overall grille depth			3-3/4" (9.5 cm)	





Dimensions & Specifications

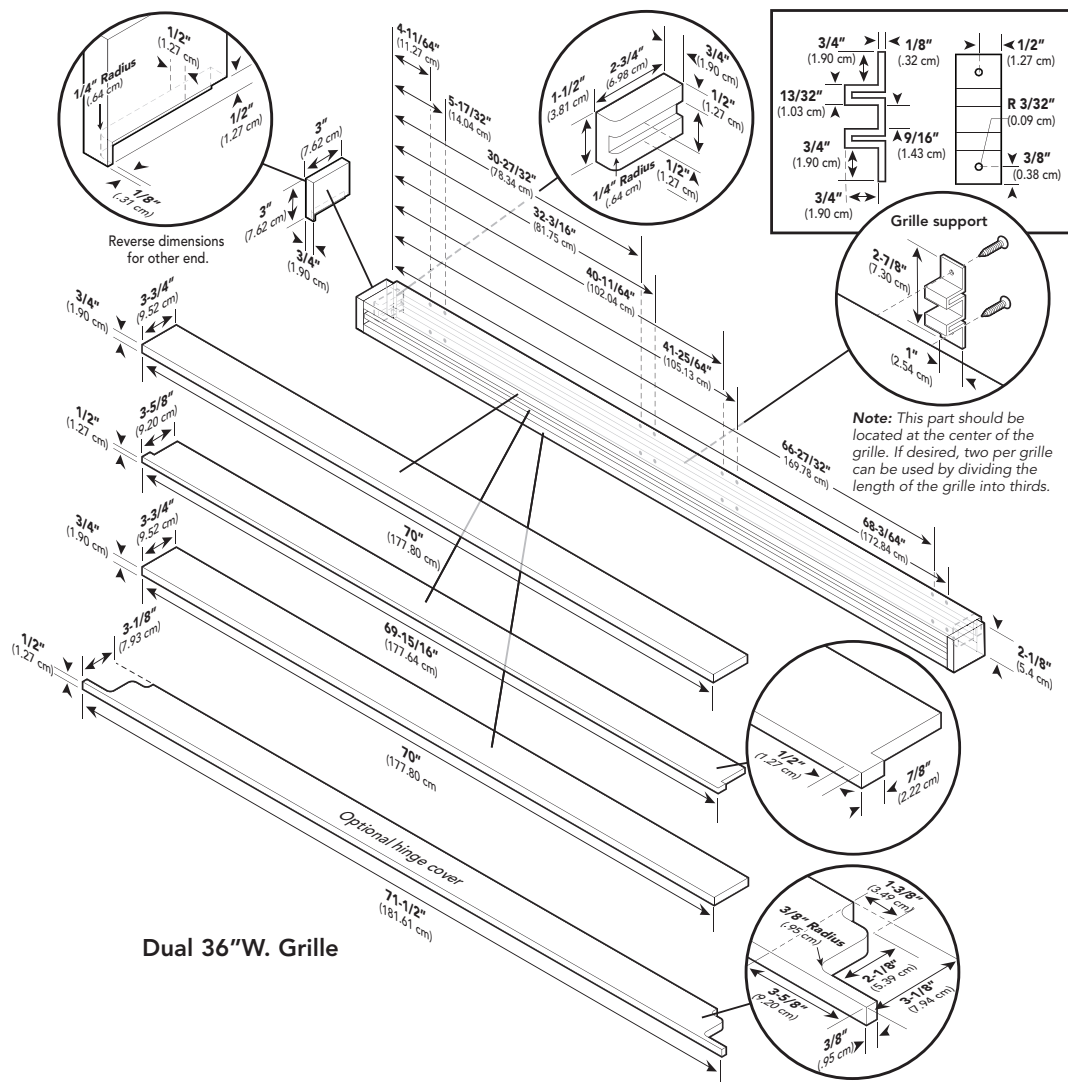
CUSTOM GRILLE DIMENSIONS – DUAL 36"W. ALL REFRIGERATOR/ALL FREEZER INSTALLATION



DFRB536



DFFB536



Note: Dual units can only be made in a left and right hand configuration. To use a custom 72"W. grille, you must purchase the center trim kit FCTKSS.

	DFRB536/DFFB536
Overall grille width	71-1/2" (181.6 cm)
Overall grille height	3" (7.6 cm)
Overall grille depth	3-3/4" (9.5 cm)

