

Viking Installation Guide



Viking Range Corporation

111 Front Street

Greenwood, Mississippi 38930 USA

(662) 455-1200

For product information,

call 1-888-VIKING1 (845-4641)

or visit the Viking Web site at

vikingrange.com



Custom Front Models

All Refrigerator/Freezer/Side-by-Side/Bottom Mount



(060508.J)

Table of Contents

Warnings and Important Information	2
Bottom Mount	
Dimensions (36")	3
Specifications (36")	4
Cutout Dimensions (36")	5
Anti-Tip Dimensions (36")	6
Overlay Dimensions (36")	7
Custom Grille Dimensions (36")	8
Custom Grille Dimensions (Dual 36")	9
Side-By-Side	
Dimensions (42")	10
Dimensions (48")	11
Specifications (42" and 48")	12
Cutout Dimensions (42")	13
Anti-Tip Dimensions (42")	14
Cutout Dimensions (48")	15
Anti-Tip Dimensions (48")	16
Overlay Dimensions (42")	17
Overlay Dimensions (48")	18
Custom Grille Dimensions (42")	19
Custom Grille Dimensions (48")	20
All Refrigerator/Freezer	
Dimensions (30" and 36")	21
Specifications (30" and 36")	22
Cutout Dimensions (30")	23
Anti-Tip Dimensions (30")	24
Cutout Dimensions (36")	25
Anti-Tip Dimensions (36")	26
Dimensions (Dual 30")	27
Dimensions (Dual 30" and 36")	28
Dimensions (Dual 36" and 36")	29
Specifications (Dual)	30
Cutout Dimensions (Dual 30")	31
Anti-Tip Dimensions (Dual 30")	32
Cutout Dimensions (Dual 30" and 36")	33
Anti-Tip Dimensions (Dual 30" and 36")	34
Cutout Dimensions (Dual 36")	35
Anti-Tip Dimensions (Dual 36")	36
Overlay Dimensions (30" and 36")	37
Custom Grille Dimensions (30")	38
Custom Grille Dimensions (36")	39
Custom Grille Dimensions (Dual 30")	40
Custom Grille Dimensions (Dual 30" and 36")	41
Custom Grille Dimensions (Dual 36")	42
Cabinet Information	43
Custom Side Panel Dimensions	45
Custom Panel General Information	46
Ice and Water Dispenser Bezel Removal	46
Custom Door Panel Installation—Refrigerator	48
Custom Door Panel Installation—Freezer	49
Ice and Water Dispenser Bezel Installation	50
Custom Panel Hinge Cutout	52
Custom Grille Installation	53
General Information	55
Unpacking & Moving	57
Installation	58
Hinge Adjustment	59
Kickplate Installation	61
Door Stop Adjustment	62
Water Filter Installation	63
Water Filter System Specifications	64
Final Installation	65
Performance Checklist	66
Control Panels	67
Service & Registration	69

IMPORTANT—Please Read and Follow

- Make sure that incoming voltage is the same as unit rating. An electric rating plate specifying voltage, frequency, wattage, amperage, and phase is attached to the product.
- To reduce the risk of fire, electrical shock, or injury to persons, installation work and electrical wiring must be done by qualified people in accordance with all applicable codes and standards, including fire-rated construction.
- The installer should leave these instructions with the consumer who should retain them for local inspector's use and for future reference.


It is your responsibility to:

- Comply with installation specifications and dimensions.
- Properly install unit.
- Remove any moldings or decorative panels that prevent the unit from being serviced.
- Make sure that you have these materials (not provided with your unit), which are necessary for proper installation:
 - 1/4" (6 mm) copper tubing with shutoff valve
 - 6– #8 x 3" (7.6 cm) wood screws (longer screws may be required)
 - 1– Saddle valve (do not use self-piercing feature of the valve)
- Assure that floor will support unit, door panels and contents (approximately 1200 pounds [540 kg]).
- Provide a properly grounded electrical outlet.
- Assure that location will permit appliance doors to open a minimum of 90°.

⚠ WARNING


ELECTRICAL SHOCK HAZARD

Disconnect power or turn power disconnect switch to OFF position before removing top grille. Failure to do so can result in death or electric shock.



Your safety and the safety of others is very important.

We have provided many important safety messages in this manual and on your appliance. Always read and obey all safety messages.

 This is the safety alert symbol. This symbol alerts to hazards that can result in injury or death to you and others.

All safety messages will be preceded by the safety alert symbol and the word "DANGER" or "WARNING." These words mean:

⚠ DANGER

Failure to follow these instructions will result in serious injury or death.

⚠ WARNING

Failure to follow these instructions can result in serious injury or death.

All safety messages will identify the hazard, tell you how to reduce the chance of injury, and tell you what can happen if the instructions are not followed.

⚠ WARNING

TIP OVER HAZARD

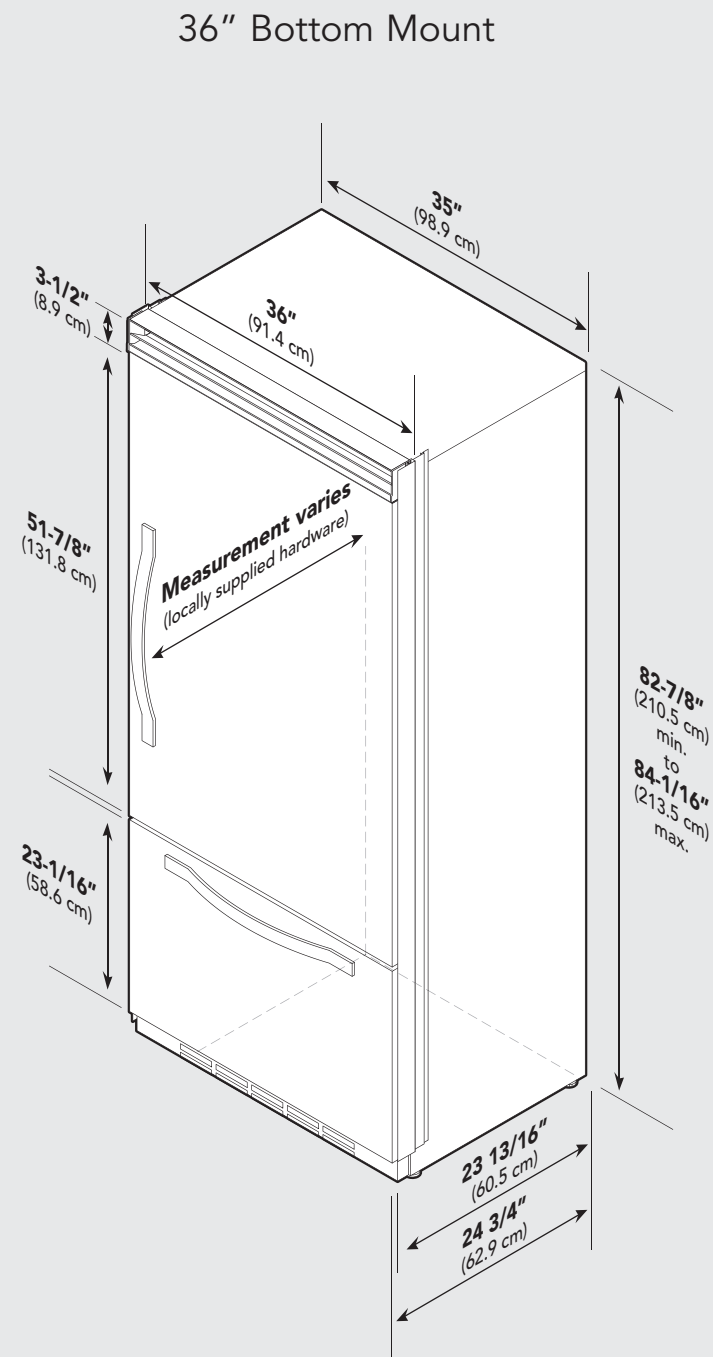
Appliance is top heavy and tips easily when not completely installed. Keep doors closed until appliance is completely installed and secured per installation instructions.

Use two or more people to move and install appliance. Failure to do so can result in death or serious injury.



Most of the unit's weight is at the top. Extra care is needed when moving the unit to prevent tipping. Use cardboard shipping material or plywood under unit until it is installed in the operating position to protect floor surface.

Dimensions (Bottom Mount)

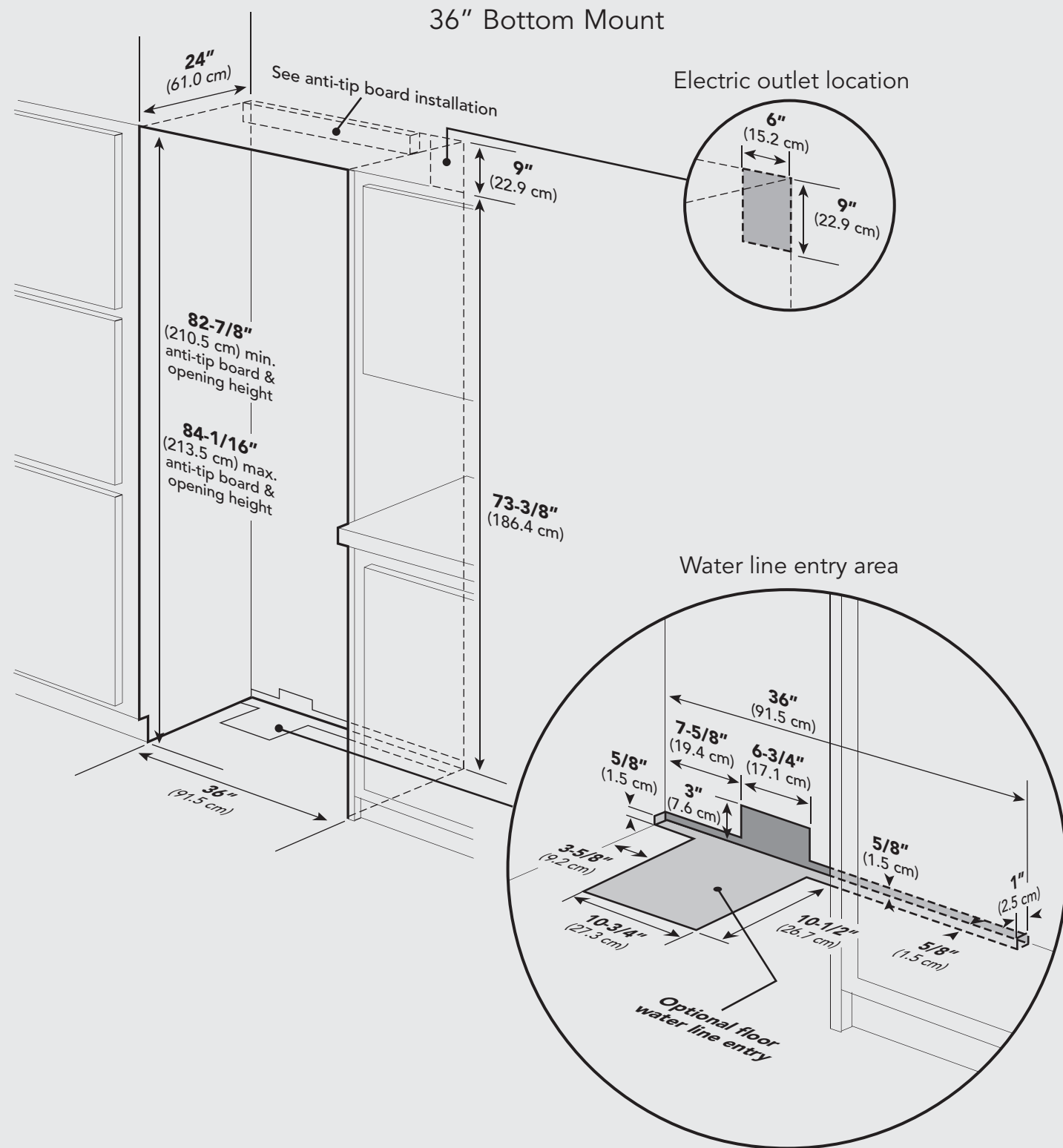


Specifications (Bottom Mount)

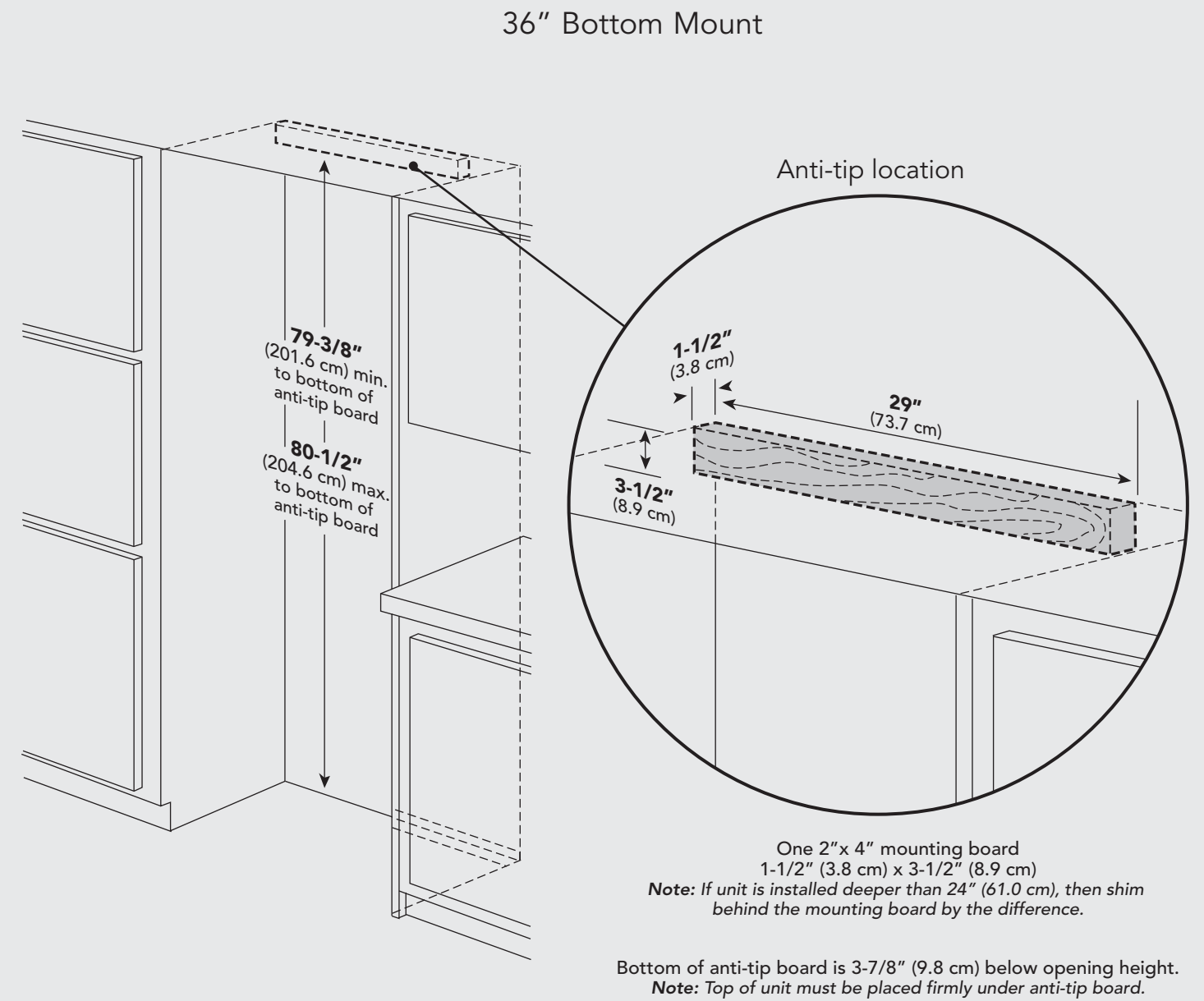
36" Bottom Mount	
Description	DFBB363
Overall width	36" (91.5 cm)
Overall height (from bottom)	82-3/4" (210.2 cm) min. to 84-1/16" (213.5 cm) max.
Overall depth (from rear)	To front edge of side trim: 23-13/16" (60.5 cm) To front of top grille: 24-3/4" (62.9 cm) To front edge of door trim: 24" (61.0 cm)
Cutout width	36" (91.5 cm)
Cutout height	82-7/8" (210.5 cm) min. to 84-1/16" (213.5 cm) max.
Cutout depth	24" (61.0 cm) min.*
Electrical requirements	115 volt, 60 Hz, 15 amp dedicated circuit; 3-wire cord with grounded 3-prong plug attached to product
Maximum amp usage	9.9 amps
Inlet water requirements	1/4" copper tubing inlet waterline; minimum 20 psi; maximum 120 psi
Overall interior dimensions	
Refrigerator	15.2 cu. ft. (431 liters)
Freezer	5.1 cu. ft. (145 liters)
Total capacity	20.3 cu. ft. (576 liters)
Maximum panel weight	Fresh food 45 lbs. (20.4 kg) Freezer 20 lbs. (9.0 kg)
Approximate shipping weight	500 lbs. (227.3 kg)

*Full overlay models fit flush in 25" (63.5 cm) deep cabinet openings. They can be installed in standard 24" (61.0 cm) deep openings. The door faces and top grille will protrude 3/4" (1.9 cm) into the room.

Cutout Dimensions (Bottom Mount)

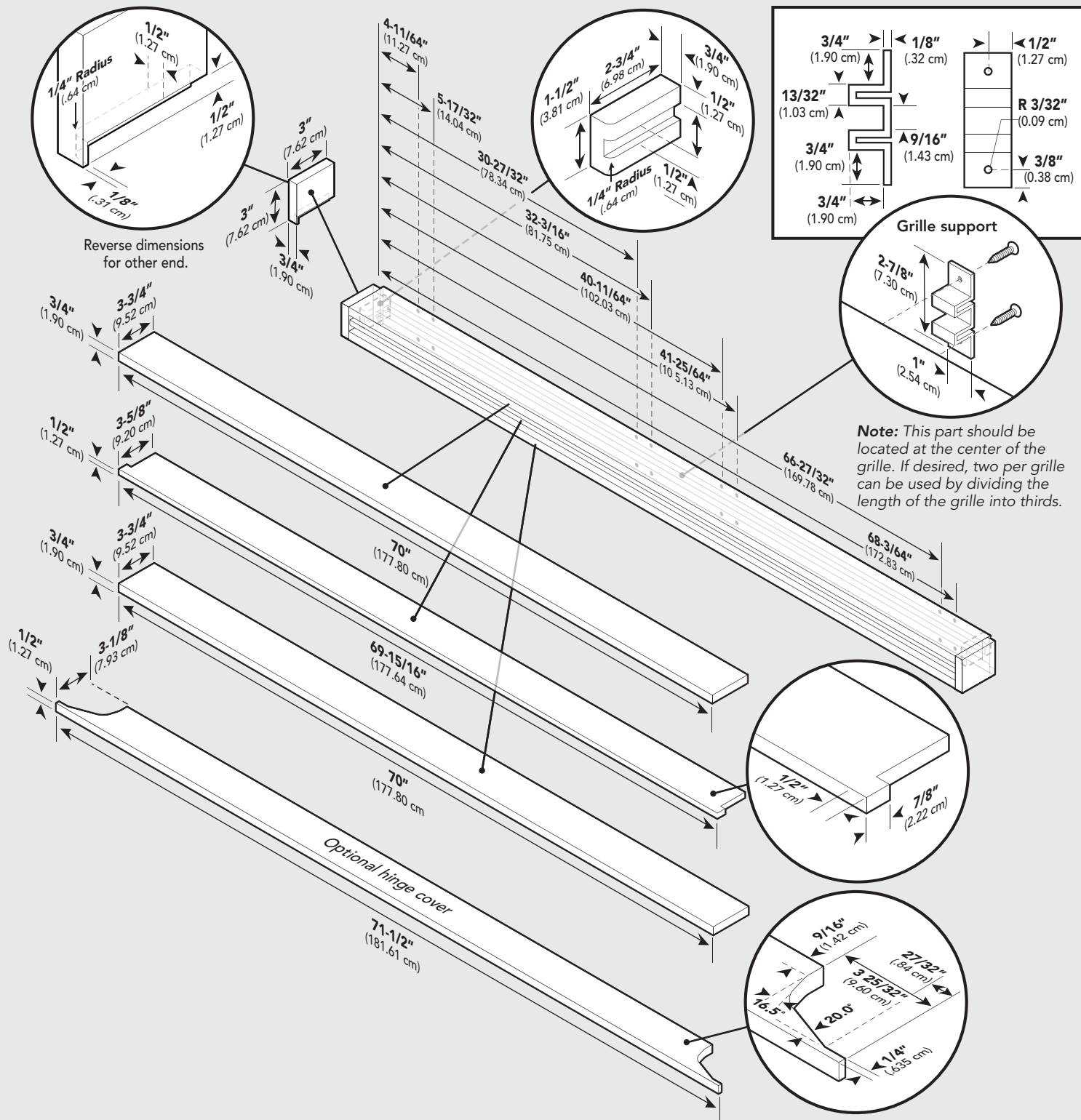


Anti-Tip Dimensions (Bottom Mount)



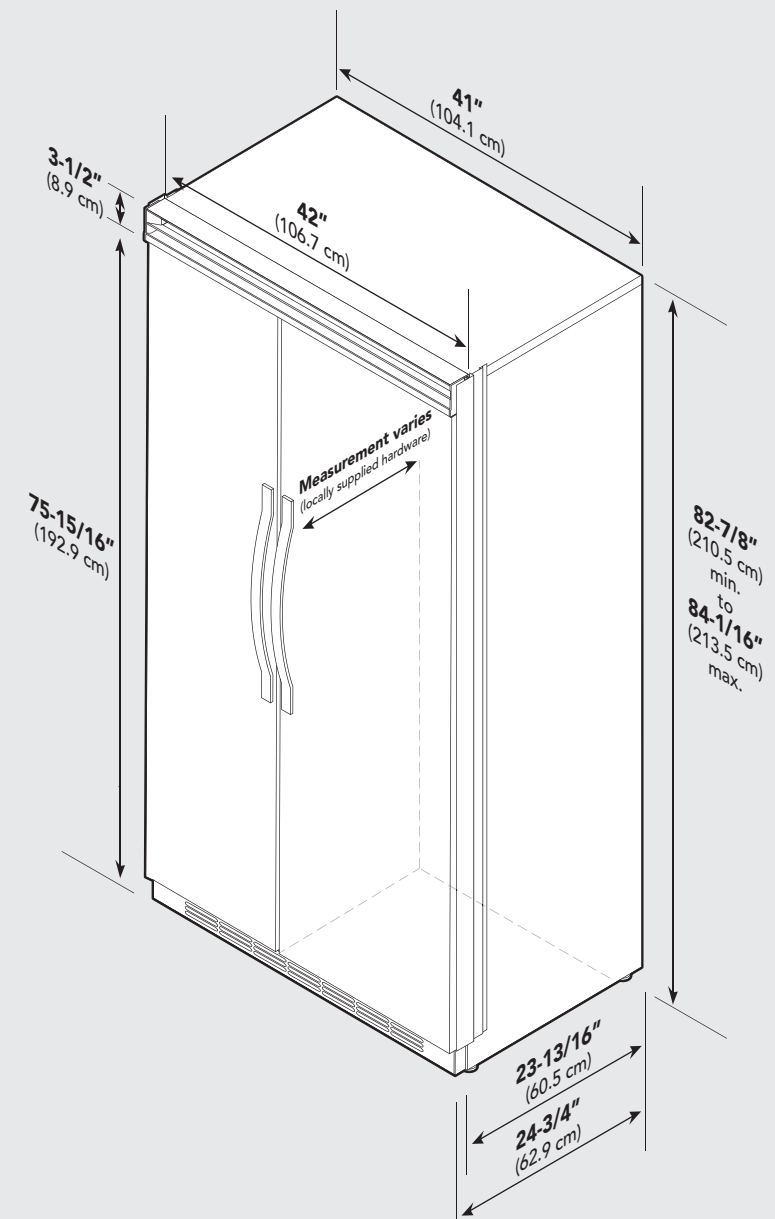
Custom Grille Dimensions (Bottom Mount)

Dual 36" Custom Grille

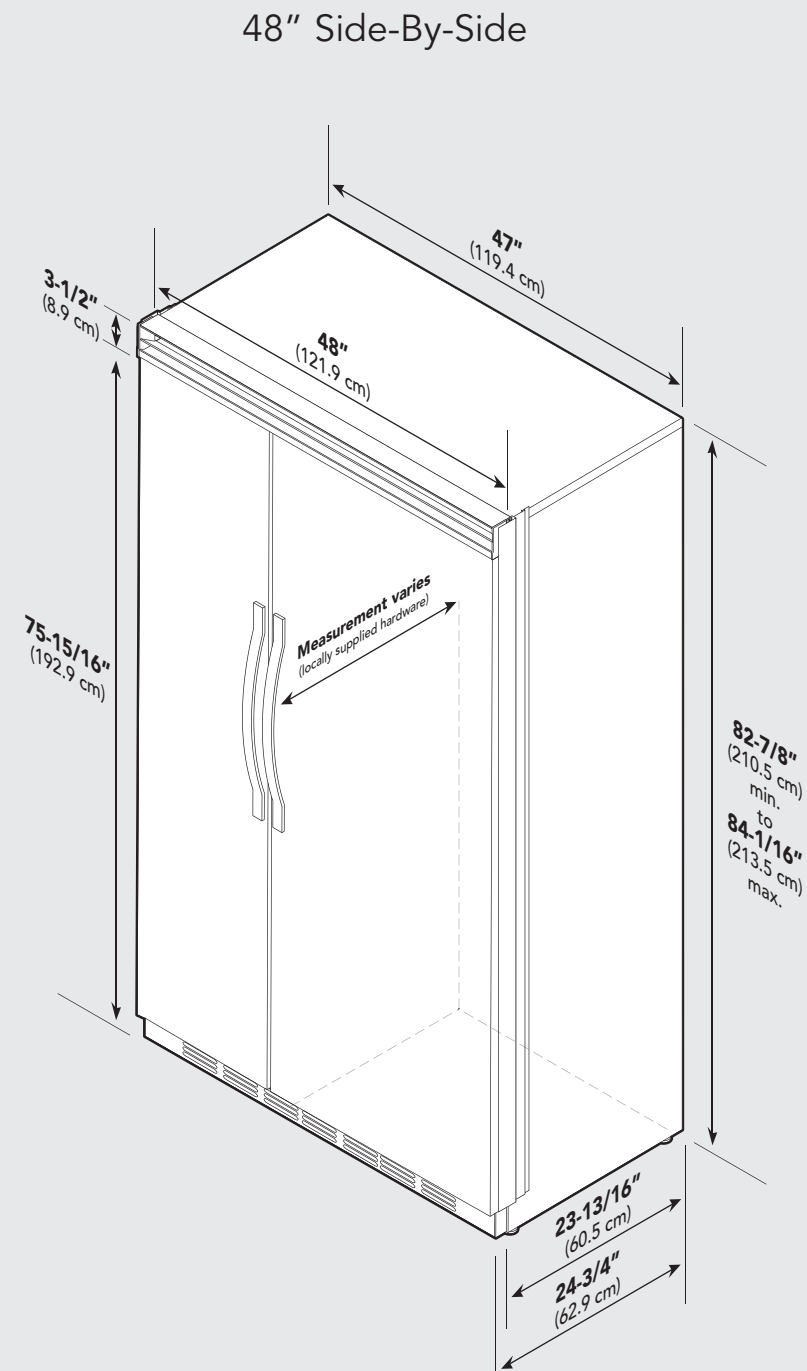


Dimensions (Side-By-Side)

42" Side-By-Side



Dimensions (Side-By-Side)



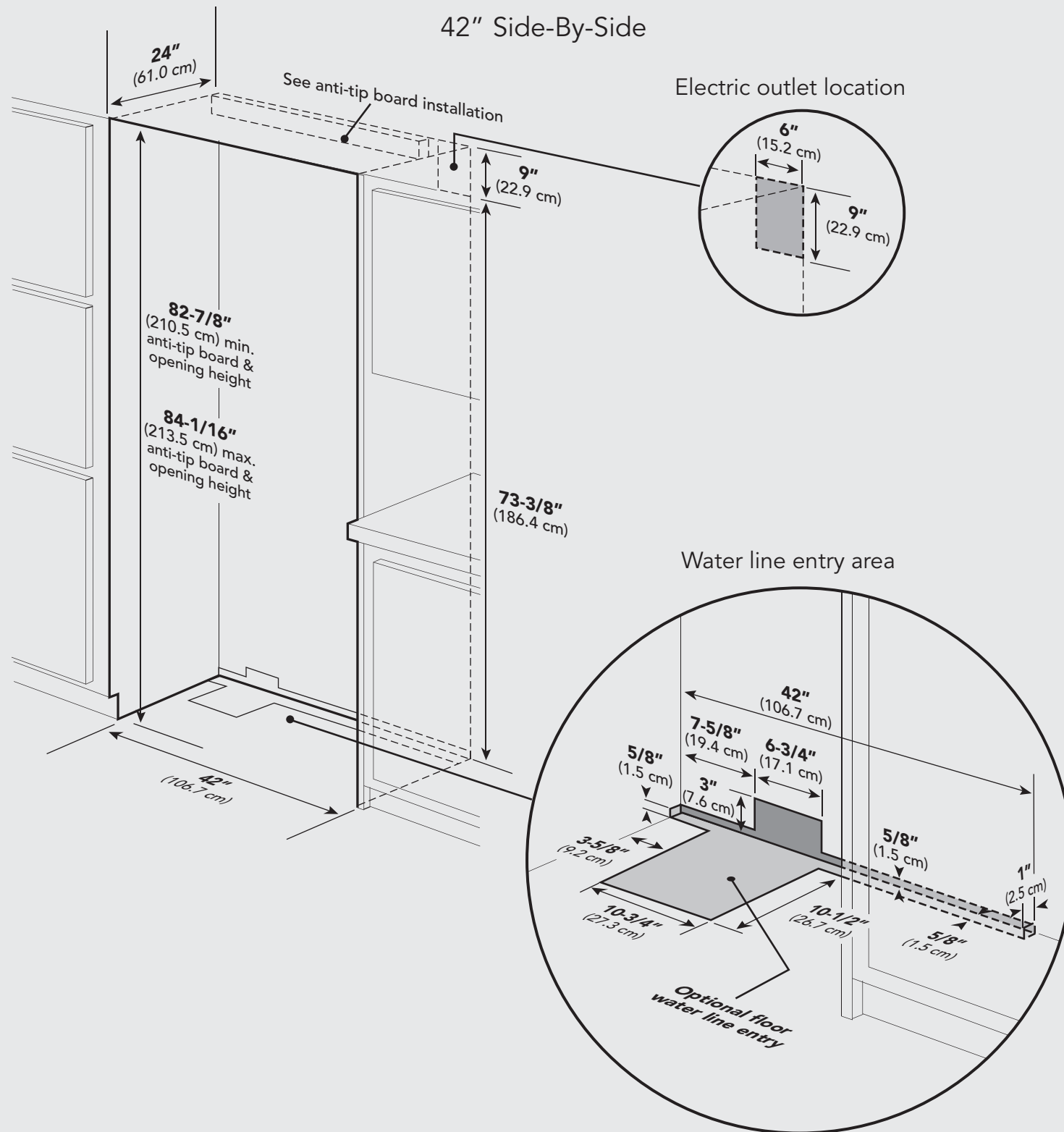
Specifications (Side-By-Side)

42" Side-By-Side		
Description	DFSB423	DFSB423D
Overall width	42" (106.7 cm)	
Overall height (from bottom)	82-3/4" (210.2 cm) min. to 84-1/16" (213.5 cm) max.	
Overall depth (from rear)	To front edge of side trim: 23-13/16" (60.5 cm) To front of top grille: 24-3/4" (62.9 cm) To front edge of door trim: 24" (61.0 cm)*	
Cutout width	42" (106.7 cm)	
Cutout height	82-7/8" (210.5 cm) min. to 84-1/16" (213.5 cm) max.	
Cutout depth	24" (61.0 cm) min.*	
Electrical requirements	115 volt, 60 Hz, 15 amp dedicated circuit; 3-wire cord with grounded 3-prong plug attached to product	
Maximum amp usage	9.9 amps	
Inlet water requirements	1/4" copper tubing inlet waterline; minimum 20 psi; maximum 120 psi	1/4" copper tubing inlet waterline; minimum 35 psi; maximum 120 psi
Overall interior dimensions		
Refrigerator	15.0 cu. ft. (425 liters)	14.5 cu. ft. (411 liters)
Freezer	9.0 cu. ft. (255 liters)	8.6 cu. ft. (244 liters)
Total capacity	24.0 cu. ft. (680 liters)	23.1 cu. ft. (654 liters)
Maximum panel weight	Fresh food 40 lbs. (18.1 kg)	Freezer 35 lbs. (15.9 kg)
Approximate shipping weight	525 lbs. (236.2 kg)	

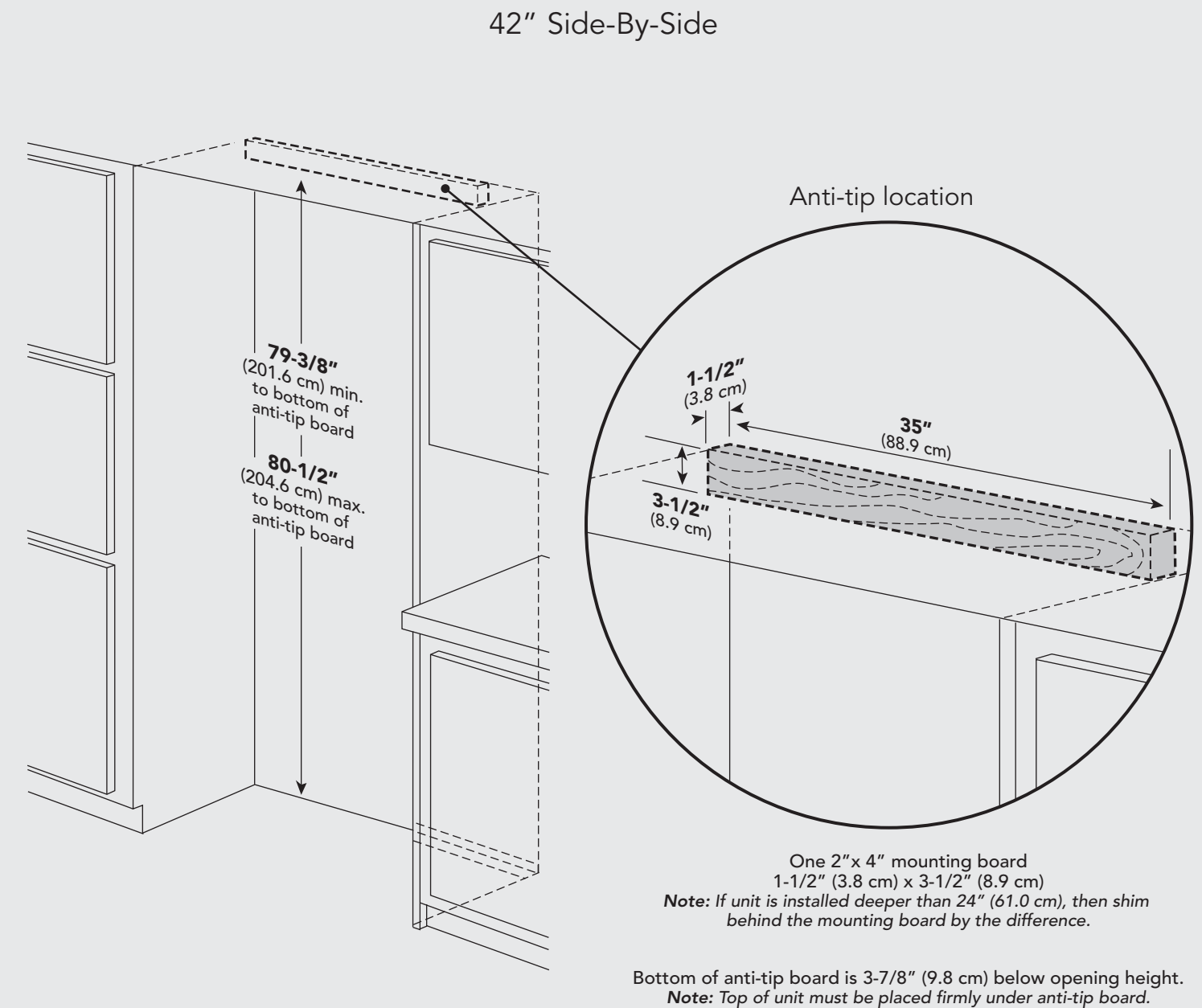
48" Side-By-Side		
Description	DFSB483	DFSB483D
Overall width	48" (121.9 cm)	
Overall height (from bottom)	82-3/4" (210.2 cm) min. to 84-1/16" (213.5 cm) max.	
Overall depth (from rear)	To front edge of side trim: 23-13/16" (60.5 cm) To front of top grille: 24-3/4" (62.9 cm) To front edge of door trim: 24" (61.0 cm)*	
Cutout width	48" (121.9 cm)	
Cutout height	82-7/8" (210.5 cm) min. to 84-1/16" (213.5 cm) max.	
Cutout depth	24" (61.0 cm) min.*	
Electrical requirements	115 volt, 60 Hz, 15 amp dedicated circuit; 3-wire cord with grounded 3-prong plug attached to product	
Maximum amp usage	9.9 amps	
Inlet water requirements	1/4" copper tubing inlet waterline; minimum 20 psi; maximum 120 psi	1/4" copper tubing inlet waterline; minimum 35 psi; maximum 120 psi
Overall interior dimensions		
Refrigerator	18.5 cu. ft. (524 liters)	17.9 cu. ft. (507 liters)
Freezer	8.9 cu. ft. (252 liters)	8.5 cu. ft. (241 liters)
Total capacity	27.4 cu. ft. (776 liters)	26.4 cu. ft. (748 liters)
Maximum panel weight	Fresh food 50 lbs. (22.7 kg)	Freezer 35 lbs. (15.9 kg)
Approximate shipping weight	650 lbs. (292.5 kg)	

*Full overlay models fit flush in 25" (63.5 cm) deep cabinet openings. They can be installed in standard 24" (61.0 cm) deep openings. The door faces and top grille will protrude 3/4" (1.9 cm) into the room.

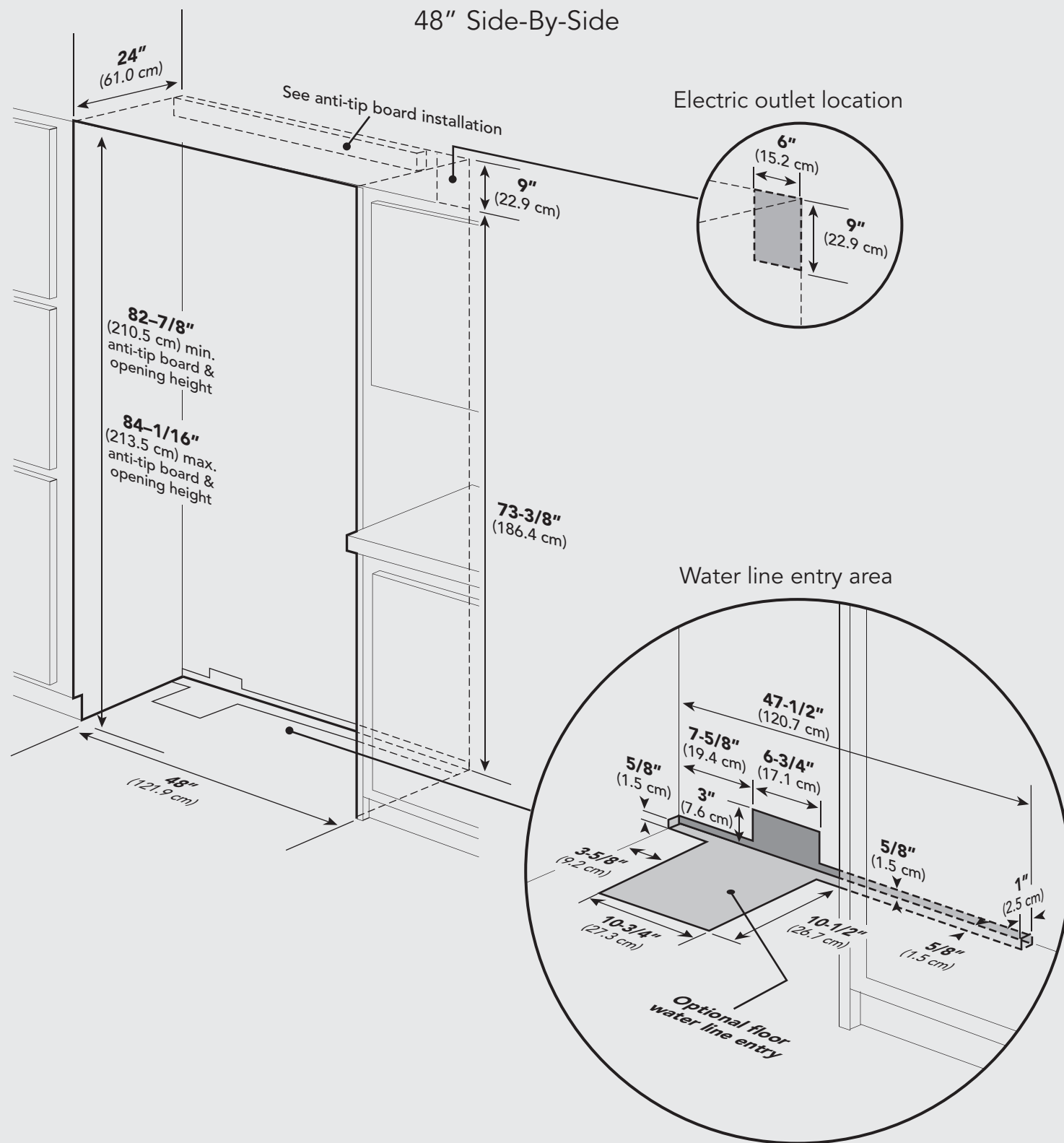
Cutout Dimensions (Side-By-Side)



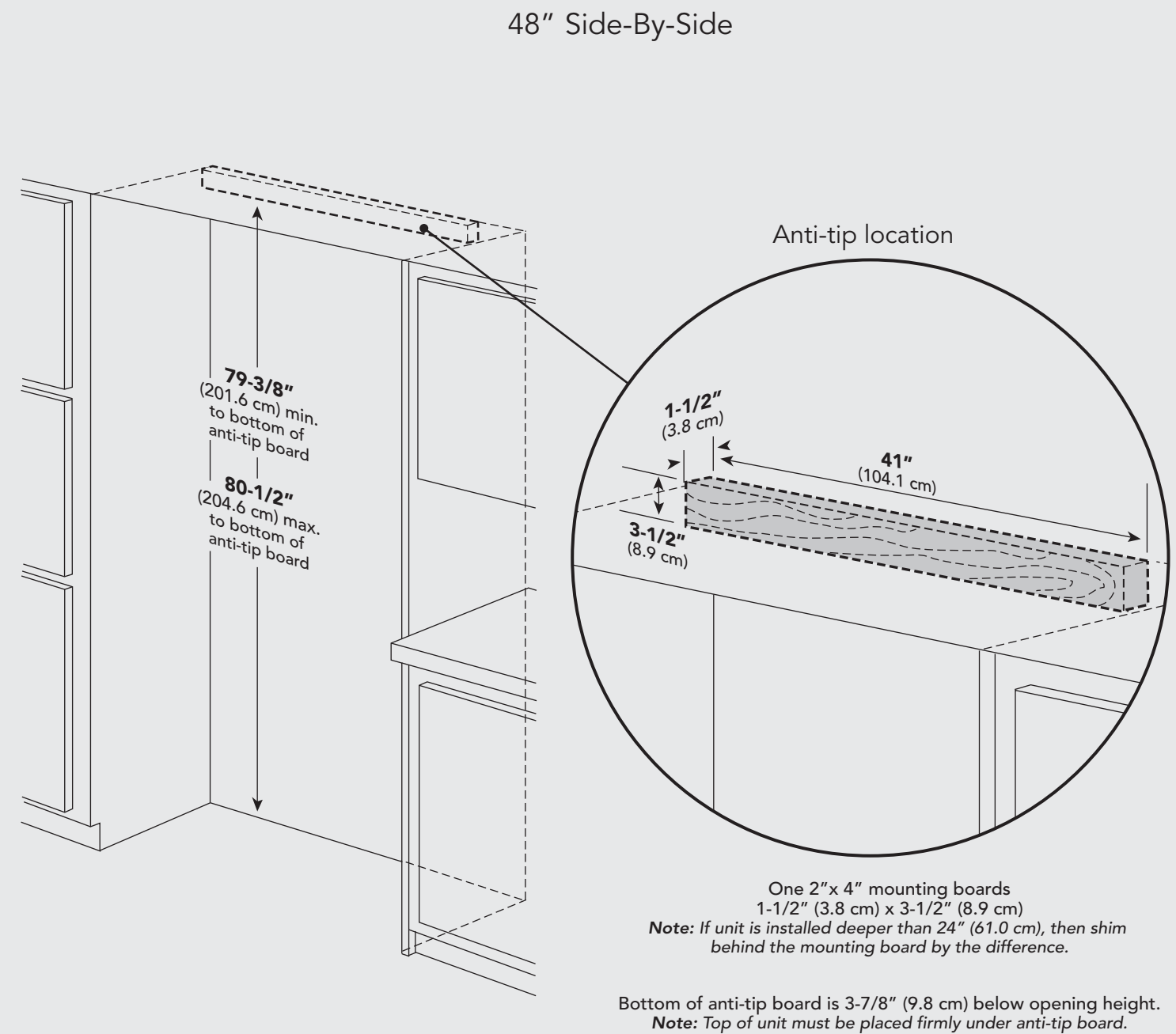
Anti-Tip Dimensions (Side-By-Side)



Cutout Dimensions (Side-By-Side)

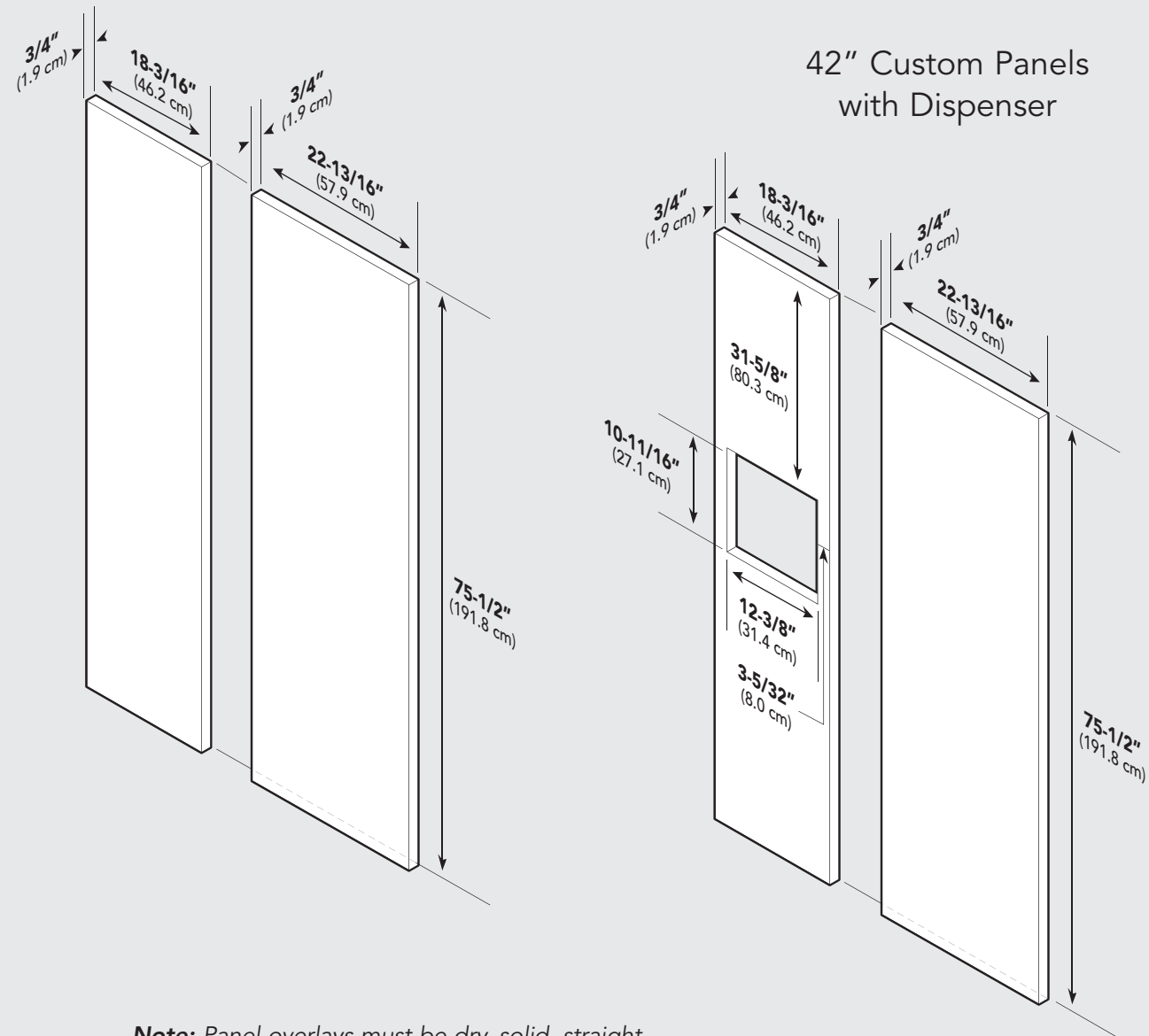


Anti-Tip Dimensions (Side-By-Side)



Overlay Dimensions (Side-By-Side)

42" Custom Panels

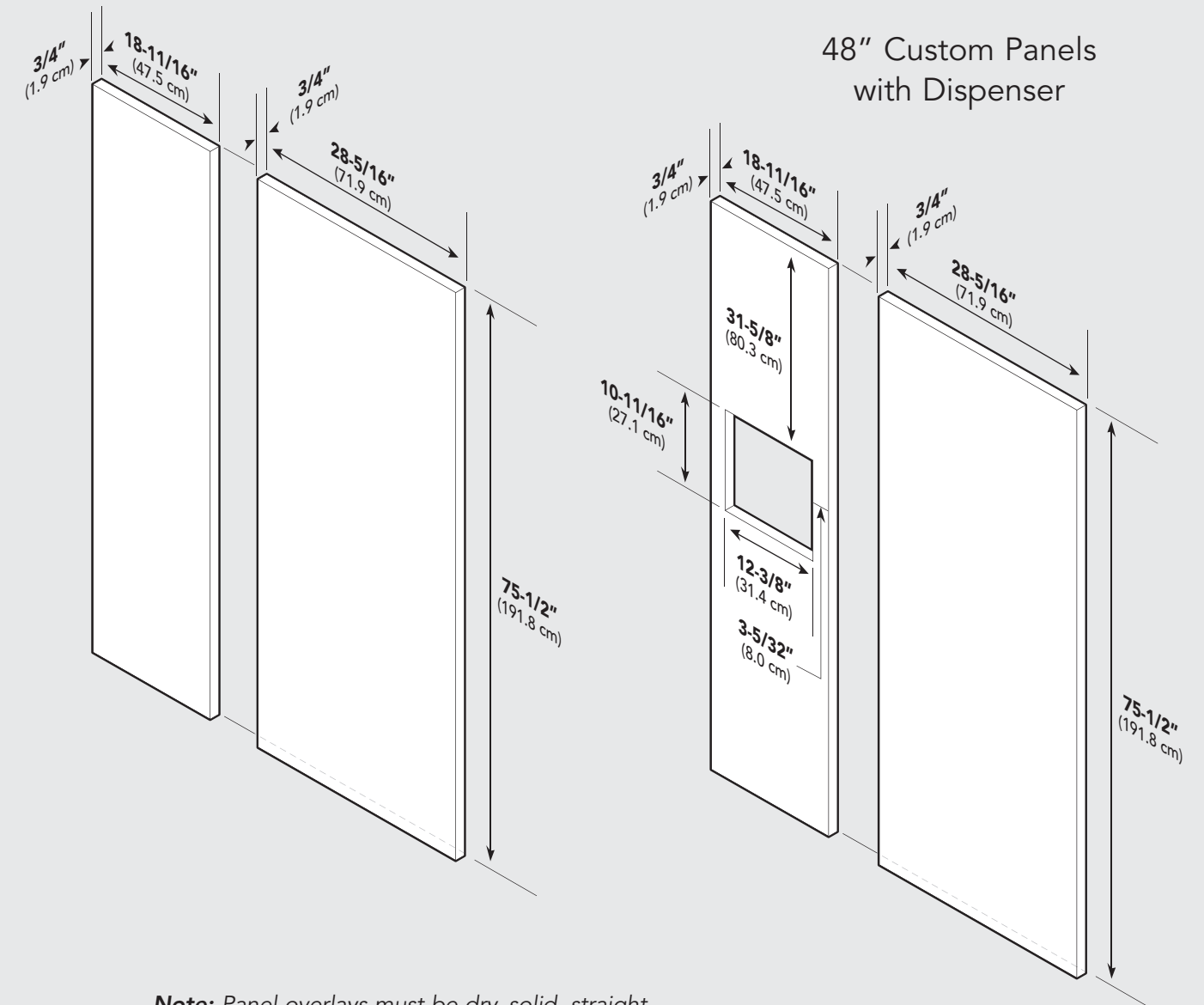


Note: Panel overlays must be dry, solid, straight one piece panels. The use of multiple panel pieces to achieve the dimensions is not recommended.

Important: A 1/4" thick back panel is required. Make it 1/4" smaller than the dimensions shown. Locate it to achieve a 1/8" inset on all sides.

Overlay Dimensions (Side-By-Side)

48" Custom Panels

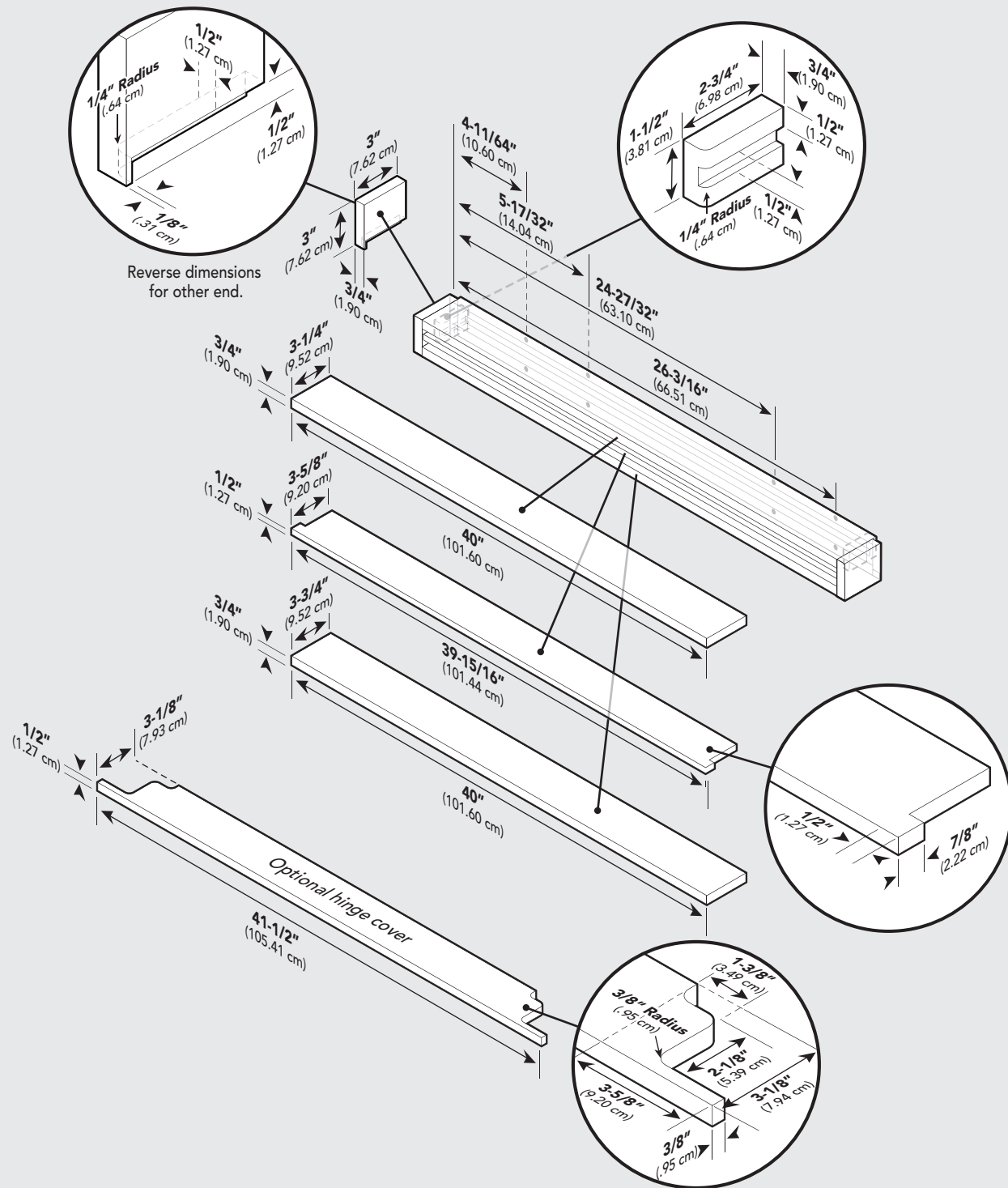


Note: Panel overlays must be dry, solid, straight one piece panels. The use of multiple panel pieces to achieve the dimensions is not recommended.

Important: A 1/4" thick back panel is required. Make it 1/4" smaller than the dimensions shown. Locate it to achieve a 1/8" inset on all sides.

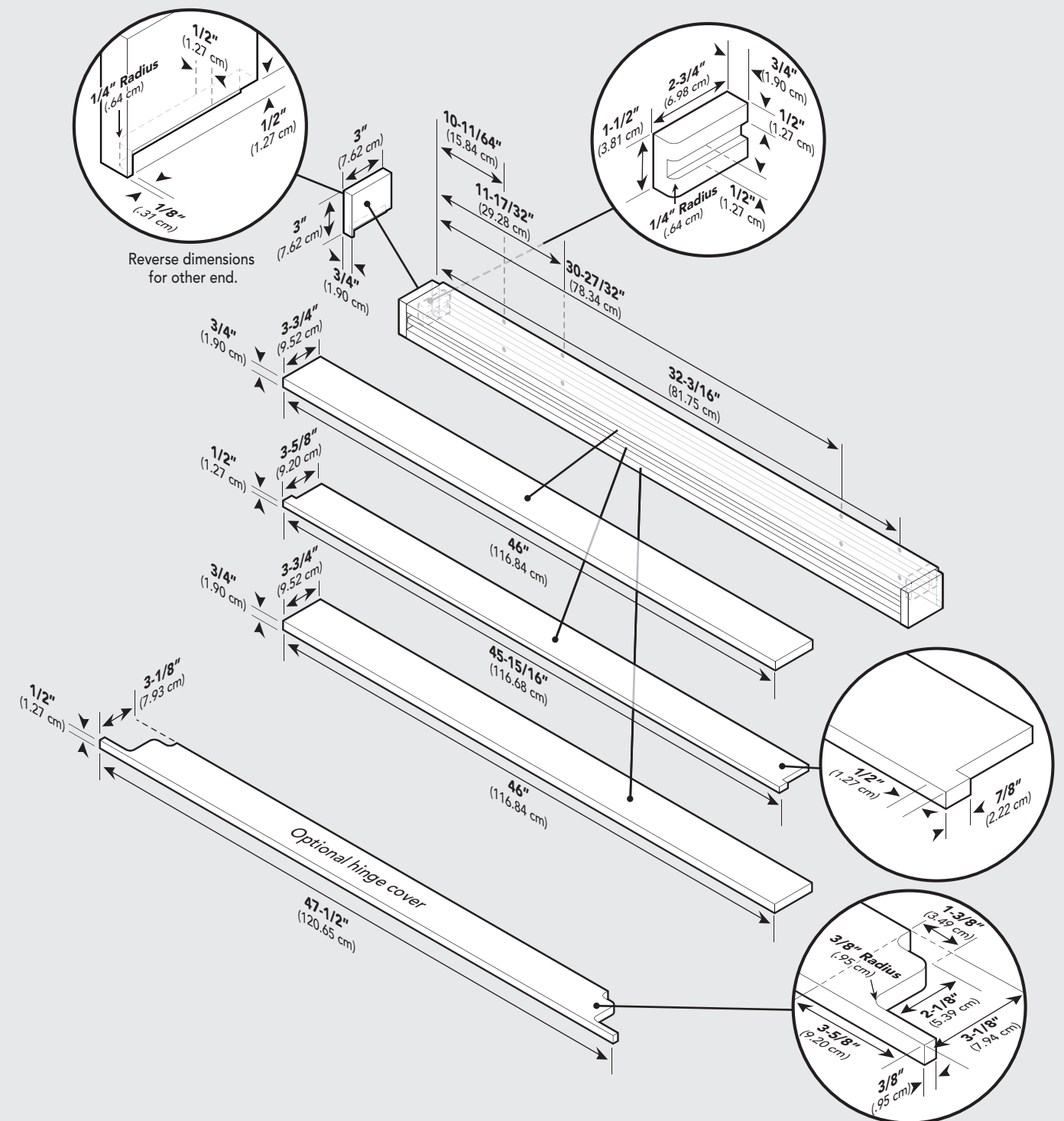
Custom Grille Dimensions (Side-By-Side)

42" Custom Grille



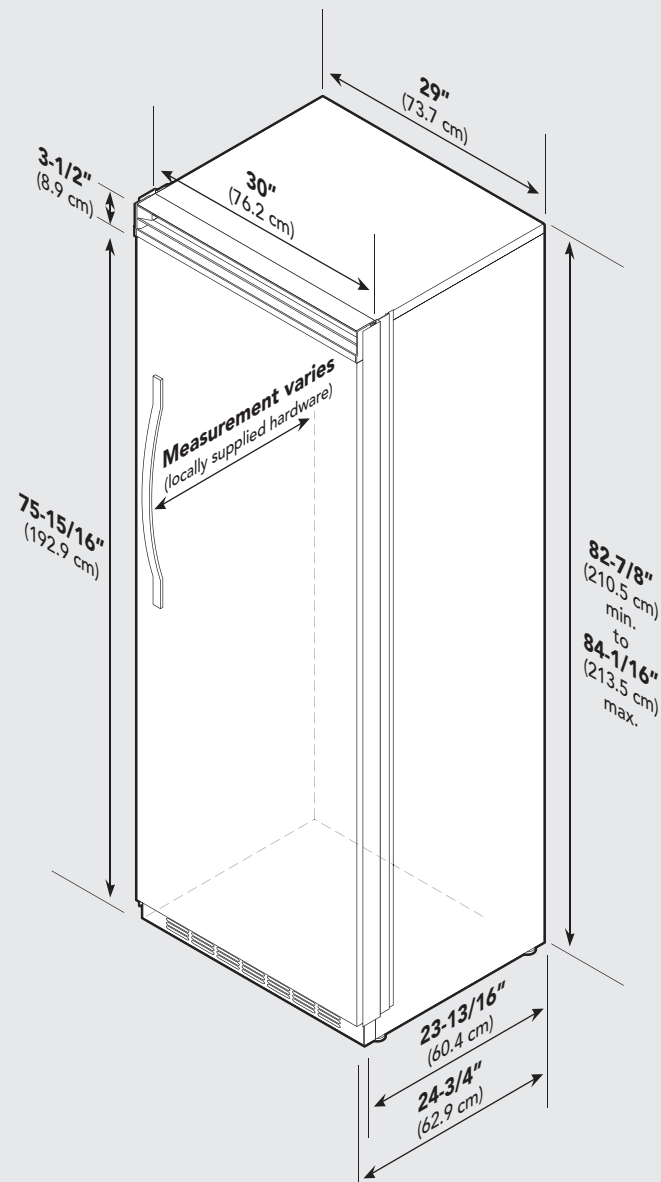
Custom Grille Dimensions (Side-By-Side)

48" Custom Grille

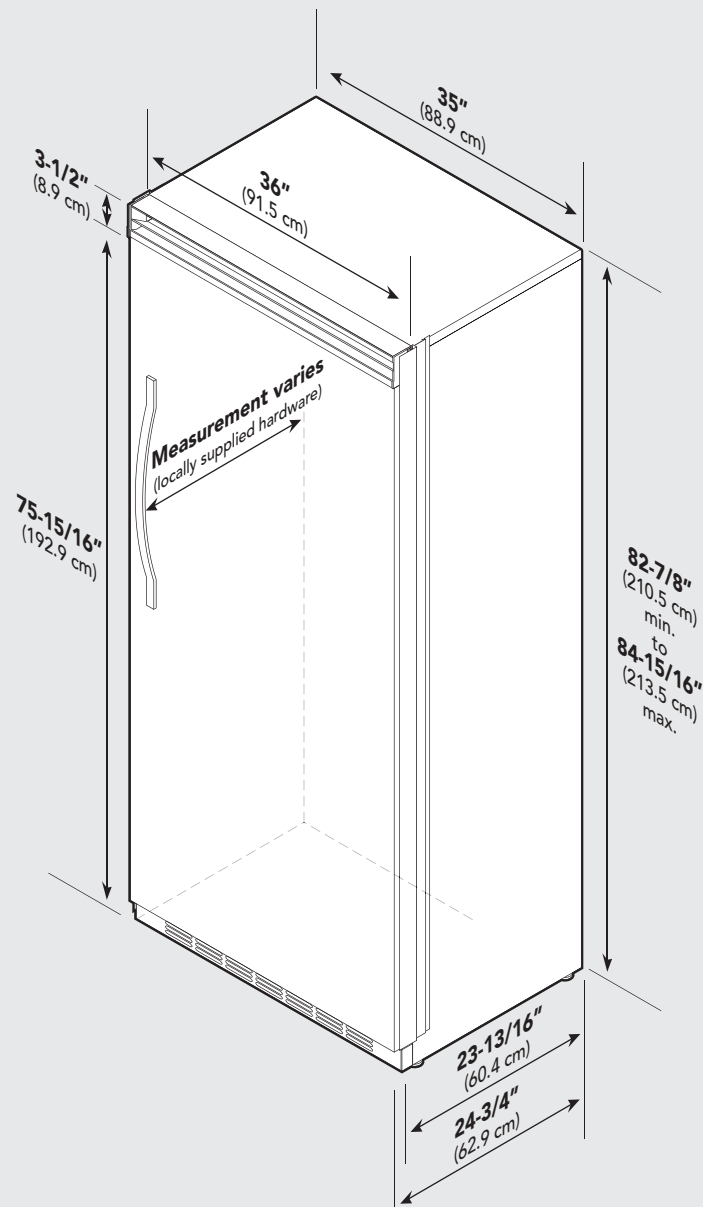


Dimensions (All Refrigerator/Freezer)

30" All Refrigerator/Freezer



36" All Refrigerator/Freezer



Specifications (All Refrigerator/Freezer)

30" All Refrigerator/Freezer

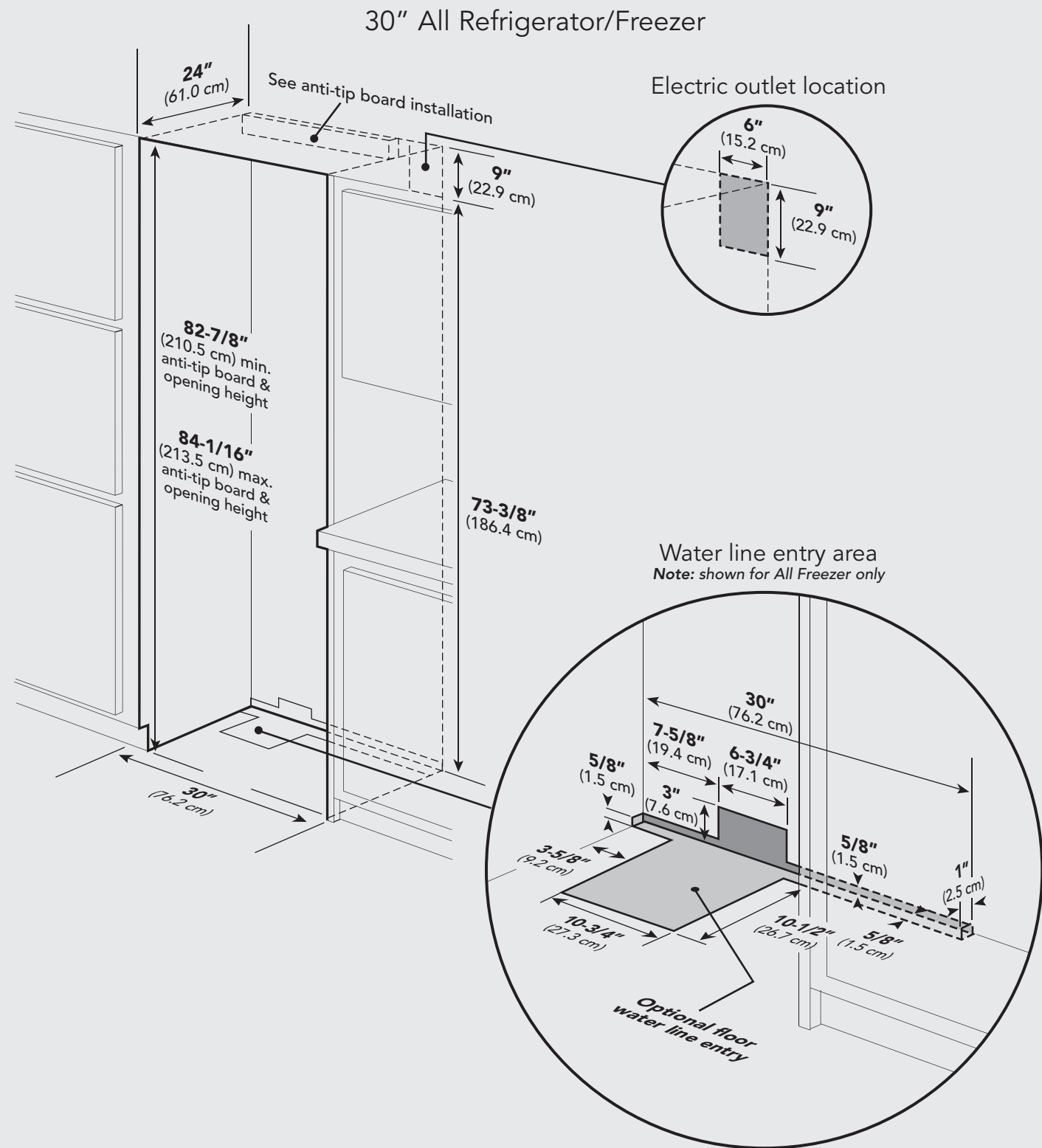
Description	DFFB304	DFRB304
Overall width	30" (76.2 cm)	
Overall height (from bottom)	82-3/4" (210.2 cm) min. to 84-1/16" (213.5 cm) max.	
Overall depth (from rear)	To front edge of side trim: 23-13/16" (60.5 cm) To front of top grille: 24-3/4" (62.9 cm) To front edge of door trim: 24" (61.0 cm)	
Cutout width	30" (76.2 cm)	
Cutout height	82-7/8" (210.5 cm) min. to 84-1/16" (213.5 cm) max.	
Cutout depth	24" (61.0 cm) min.*	
Electrical requirements	115 volt, 60 Hz, 15 amp dedicated circuit; 3-wire cord with grounded 3-prong plug attached to product	
Maximum amp usage	9.9 amps	
Inlet water requirements	1/4" copper tubing inlet waterline; minimum 20 psi; maximum 120 psi	N/A
Overall interior dimensions total capacity	15.9 cu. ft. (450 liters)	18.2 cu. ft. (516 liters)
Maximum panel weight	50 lbs. (22.7 kg)	
Approximate shipping weight	425 lbs. (193.2 kg)	

36" All Refrigerator/Freezer

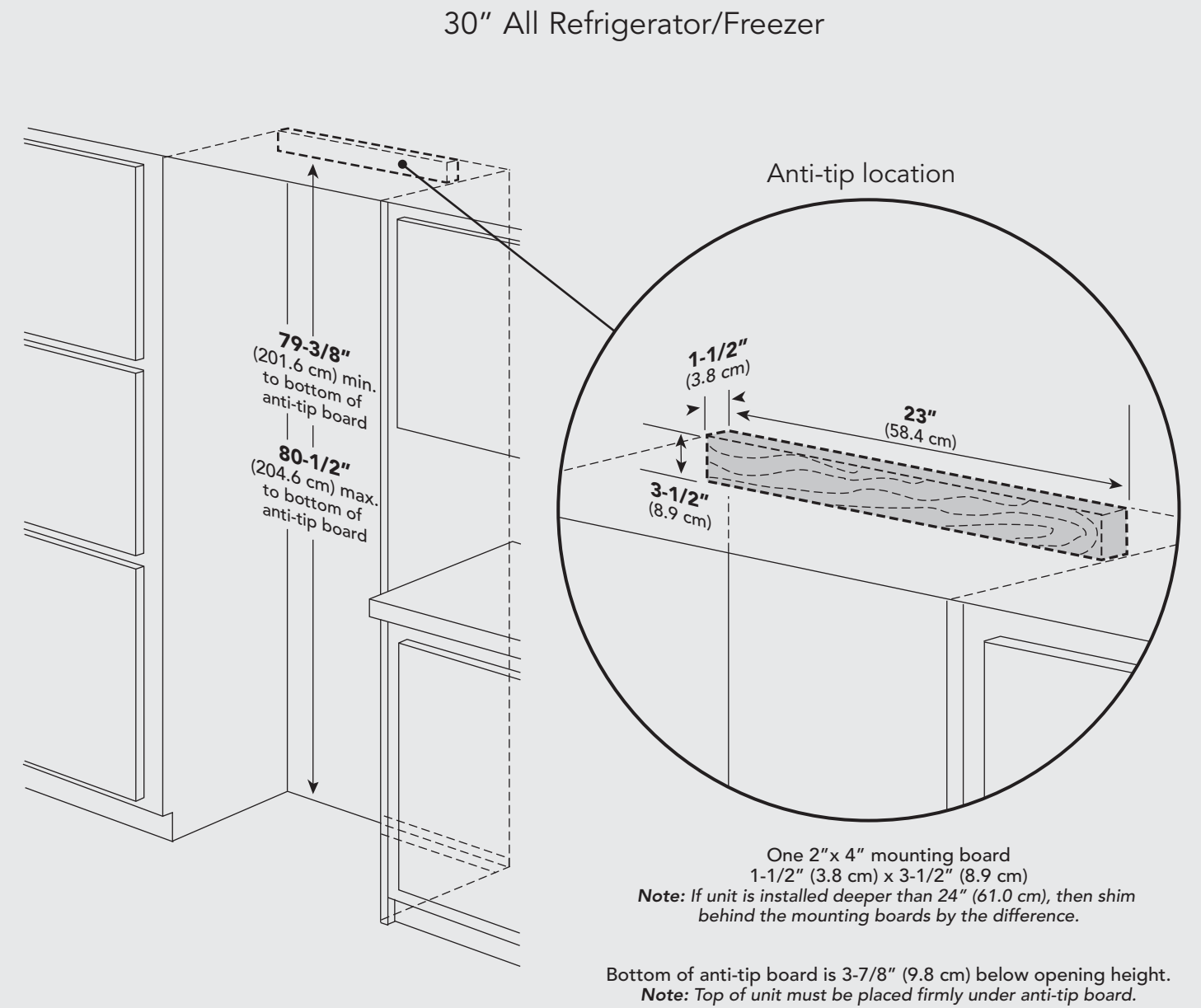
Description	DFFB364	DFRB364
Overall width	36" (91.5 cm)	
Overall height (from bottom)	82-3/4" (210.2 cm) min. to 84-1/16" (213.5 cm) max.	
Overall depth (from rear)	To front edge of side trim: 23-13/16" (60.5 cm) To front of top grille: 24-3/4" (62.9 cm) To front edge of door trim: 24" (61.0 cm)	
Cutout width	36" (91.5 cm)	
Cutout height	82-7/8" (210.5 cm) min. to 84-1/16" (213.5 cm) max.	
Cutout depth	24" (61.0 cm) min.*	
Electrical requirements	115 volt, 60 Hz, 15 amp dedicated circuit; 3-wire cord with grounded 3-prong plug attached to product	
Maximum amp usage	9.9 amps	
Inlet water requirements	1/4" copper tubing inlet waterline; minimum 20 psi; maximum 120 psi	N/A
Overall interior dimensions total capacity	19.1 cu. ft. (541 liters)	22.8 cu. ft. (646 liters)
Maximum panel weight	60 lbs. (27.2 kg)	
Approximate shipping weight	500 lbs. (227.3 kg)	

*Full overlay models fit flush in 25" (63.5 cm) deep cabinet openings. They can be installed in standard 24" (61.0 cm) deep openings. The door faces and top grille will protrude 3/4" (1.9 cm) into the room.

Cutout Dimensions (All Refrigerator/Freezer)

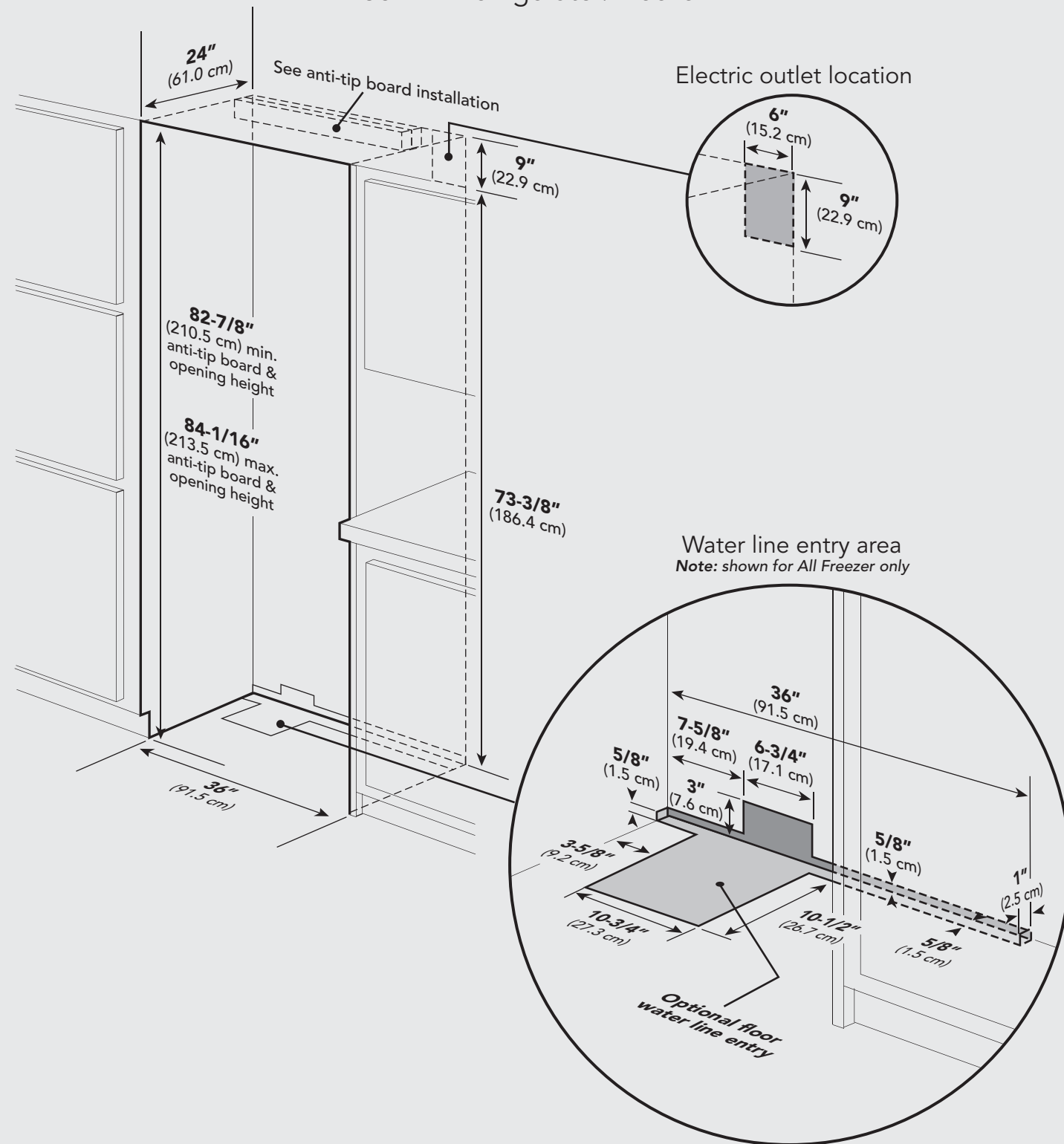


Anti-Tip Dimensions (All Refrigerator/Freezer)



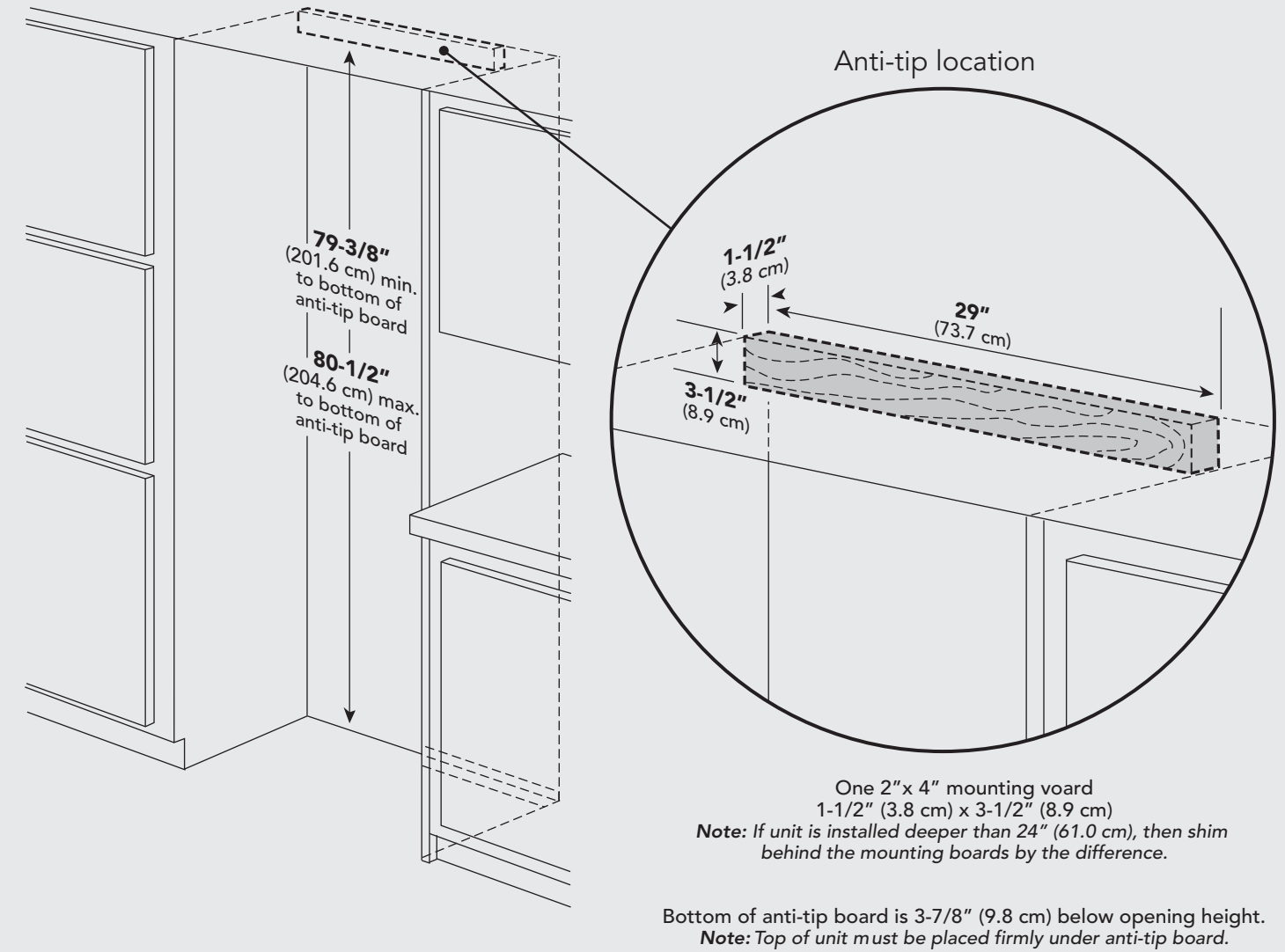
Cutout Dimensions (All Refrigerator/Freezer)

36" All Refrigerator/Freezer



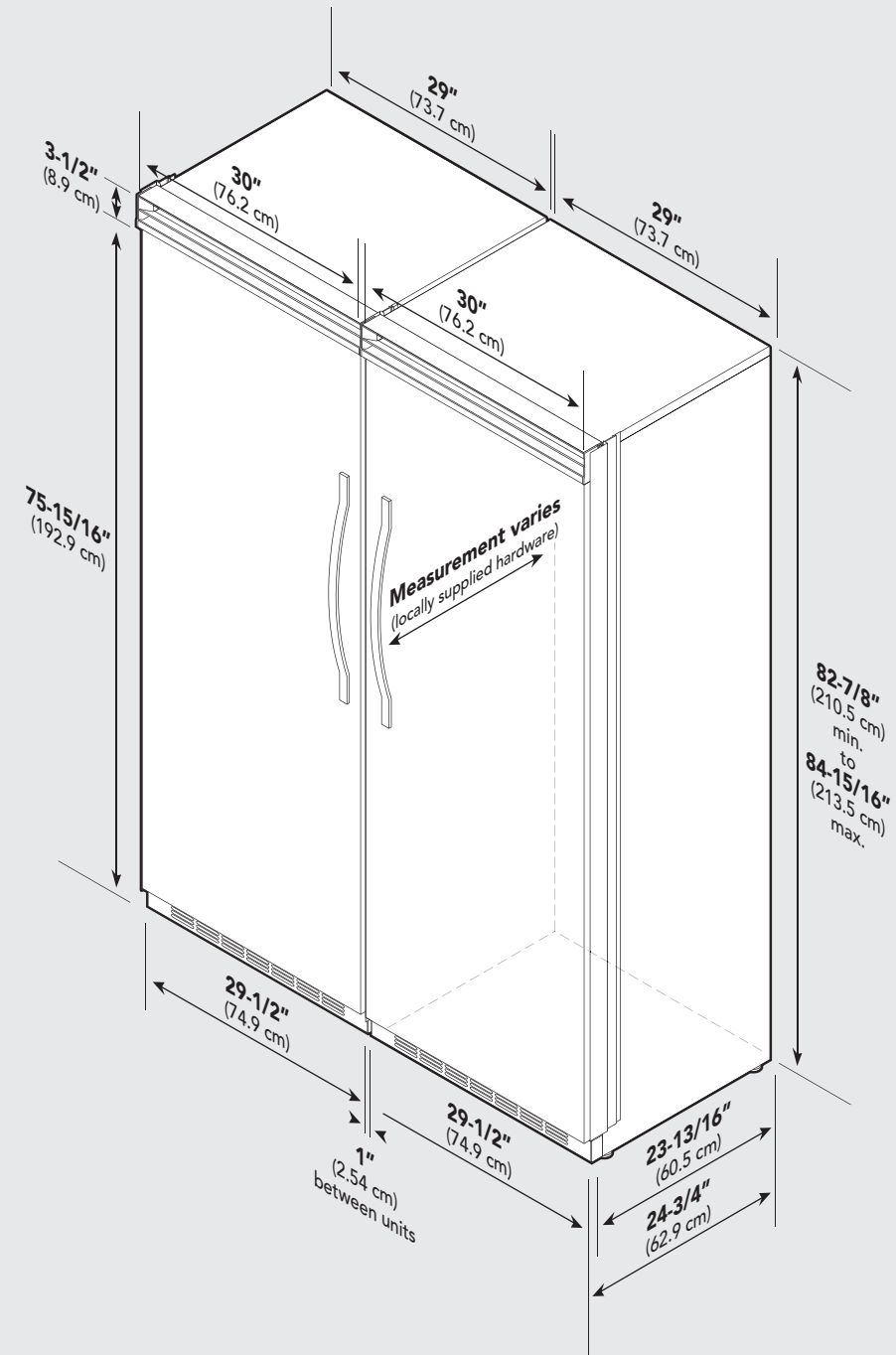
Anti-Tip Dimensions (All Refrigerator/Freezer)

36" All Refrigerator/Freezer



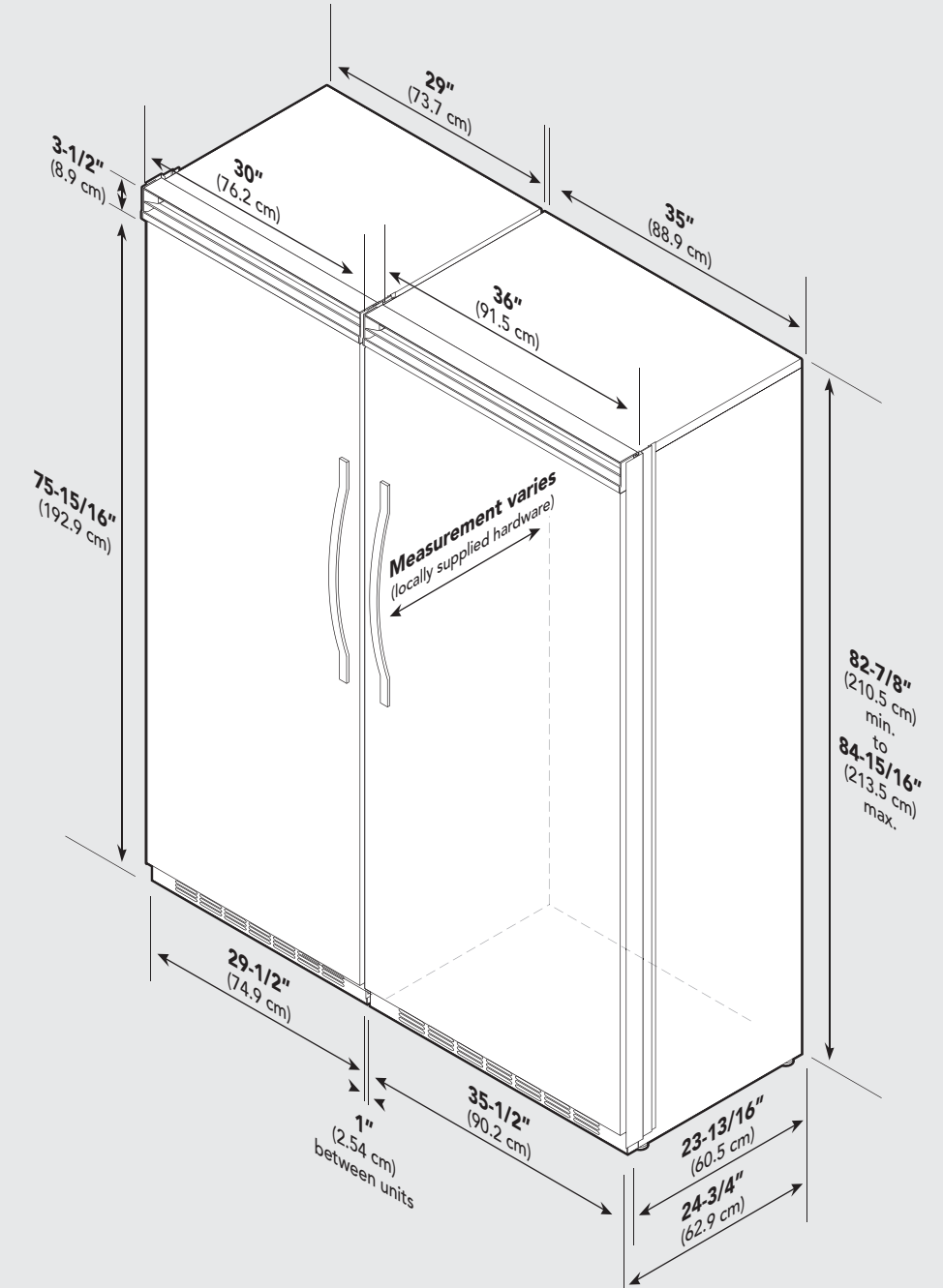
Dimensions (All Refrigerator/Freezer)

Dual 30" All Refrigerator/Freezer

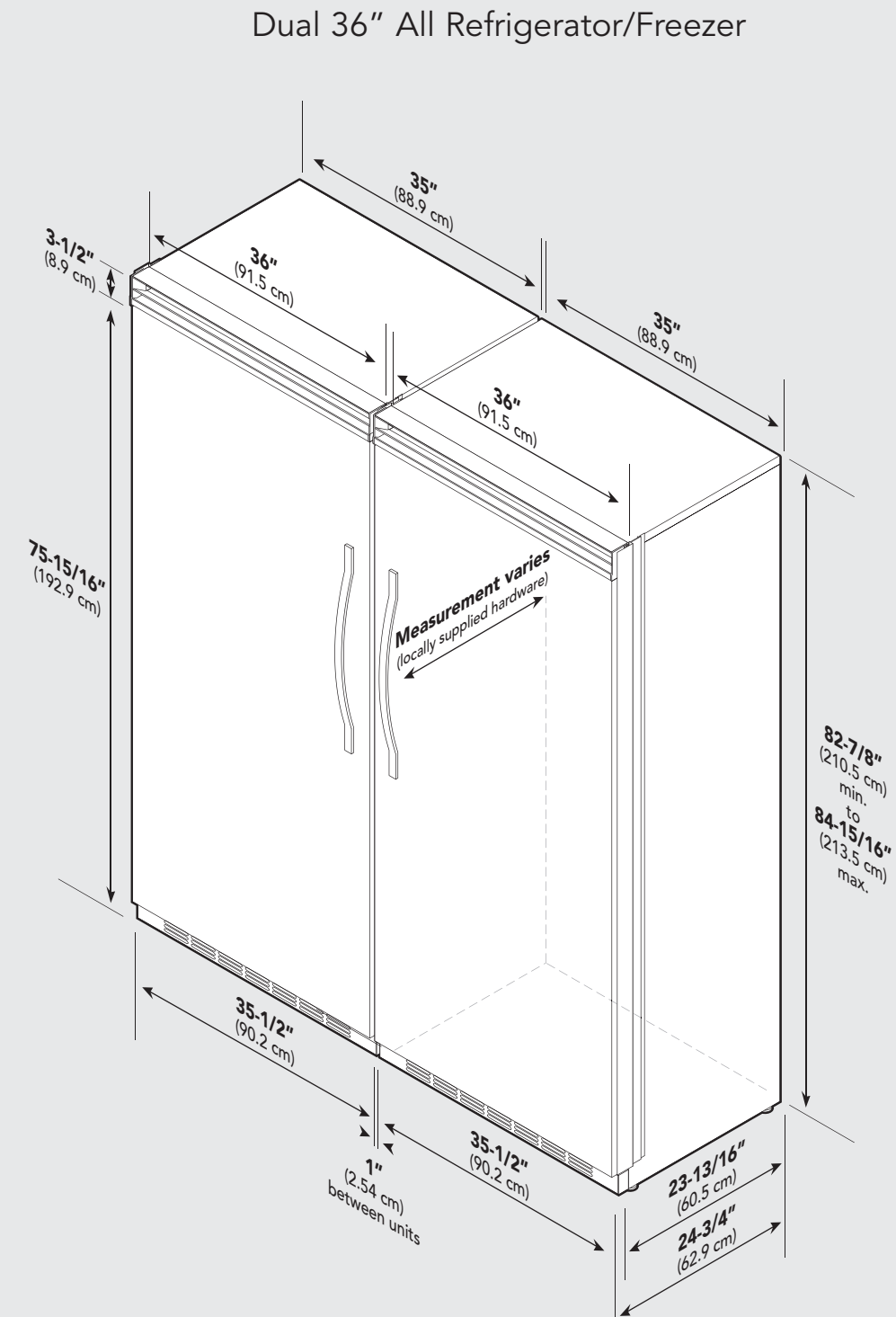


Dimensions (All Refrigerator/Freezer)

Dual 30" and 36" All Refrigerator/Freezer



Dimensions (All Refrigerator/Freezer)

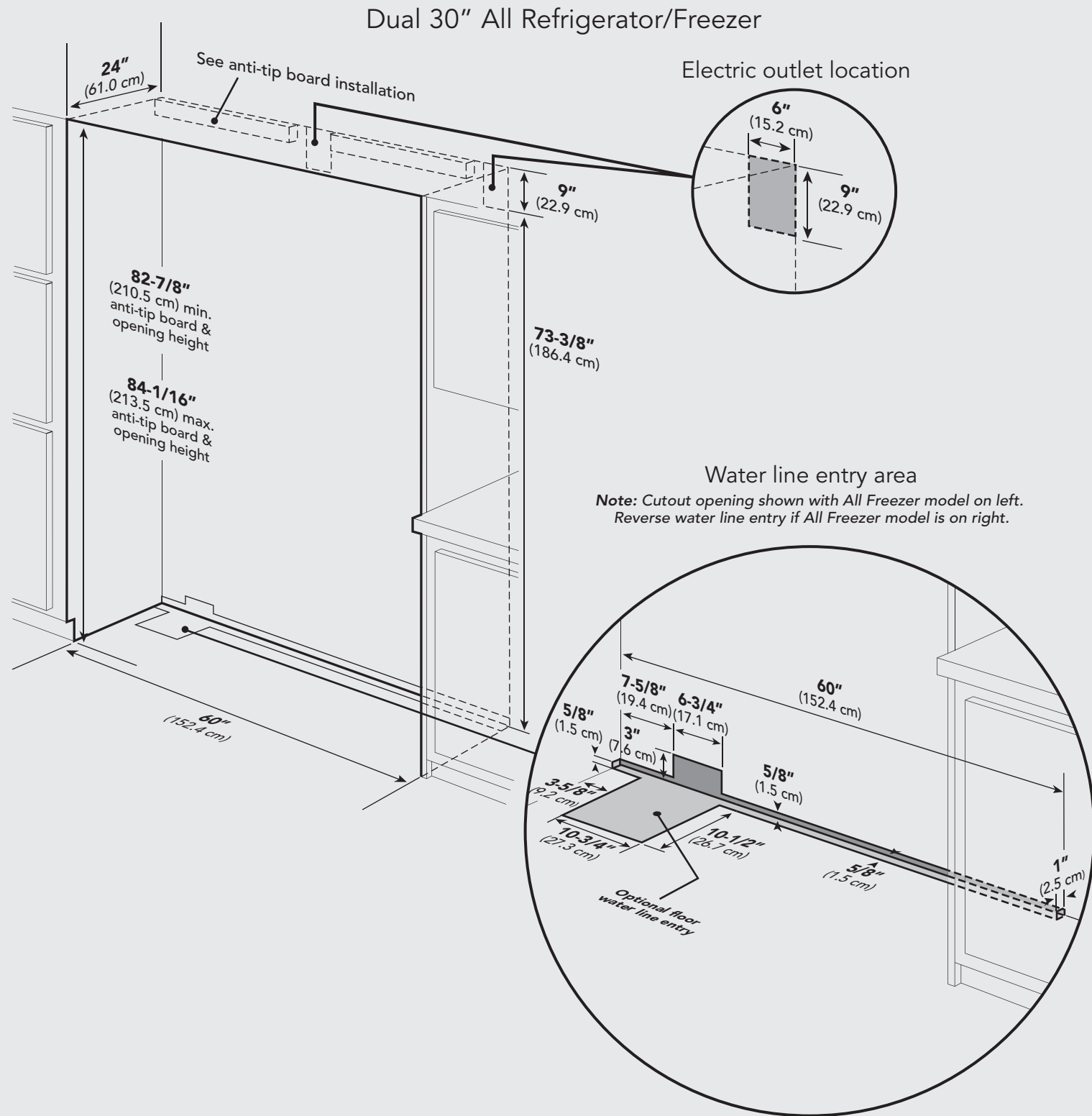


Specifications (All Refrigerator/Freezer)

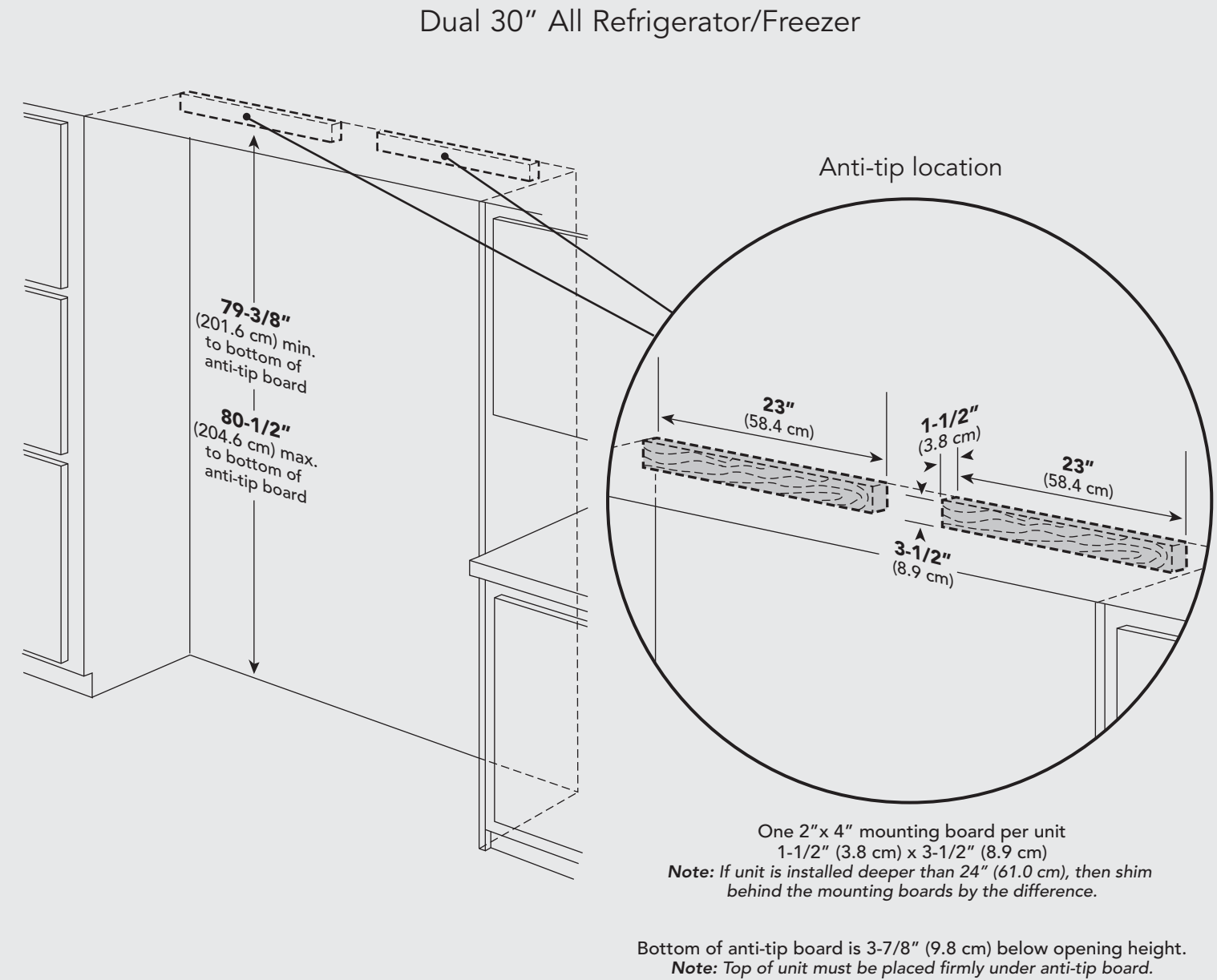
Dual All Refrigerator/Freezer			
Description	(2) 30" Units	(1) 36" & (1) 30" Unit	(2) 36" Units
Overall width	60" (152.4 cm)	66" (167.6 cm)	72" (182.9 cm)
Overall height (from bottom)	82-3/4" (210.2 cm) min. to 84-1/16" (213.5 cm) max.		
Overall depth (from rear)	To front edge of side trim: 23-13/16" (60.5 cm) To front of top grille: 24-3/4" (62.9 cm) To front edge of door trim: 24" (61.0 cm)		
Cutout width	60" (152.4 cm)	66" (167.6 cm)	72" (182.9 cm)
Cutout height	82-7/8" (210.5 cm) min. to 84-1/16" (213.5 cm) max.		
Cutout depth	24" (61.0 cm) min.*		
Electrical requirements	(2) 115 volt, 60 Hz, 15 amp dedicated circuit; 3-wire cord with grounded 3-prong plug attached to product		
Maximum amp usage	9.9 amps per unit		
Inlet water requirements (All Freezer only)	1/4" copper tubing inlet waterline; minimum 20 psi; maximum 120 psi		
Overall interior dimensions	30" freezer: 15.9 cu. ft. (450 liters) 30" refrigerator: 18.2 cu. ft. (516 liters) 36" freezer: 19.1 cu. ft. (541 liters) 36" refrigerator: 22.8 cu. ft. (646 liters)		
Maximum panel weight	30" freezer or refrigerator: 50 lbs. (22.7 kg) 36" freezer or refrigerator: 60 lbs. (27.2 kg)		
Approximate shipping weight	30" freezer or refrigerator: 425 lbs. (193.2 kg) 36" freezer or refrigerator: 500 lbs. (227.3 kg)		

*Full overlay models fit flush in 25" (63.5 cm) deep cabinet openings. They can be installed in standard 24" (61.0 cm) deep openings. The door faces and top grille will protrude 3/4" (1.9 cm) into the room.

Cutout Dimensions (All Refrigerator/Freezer)

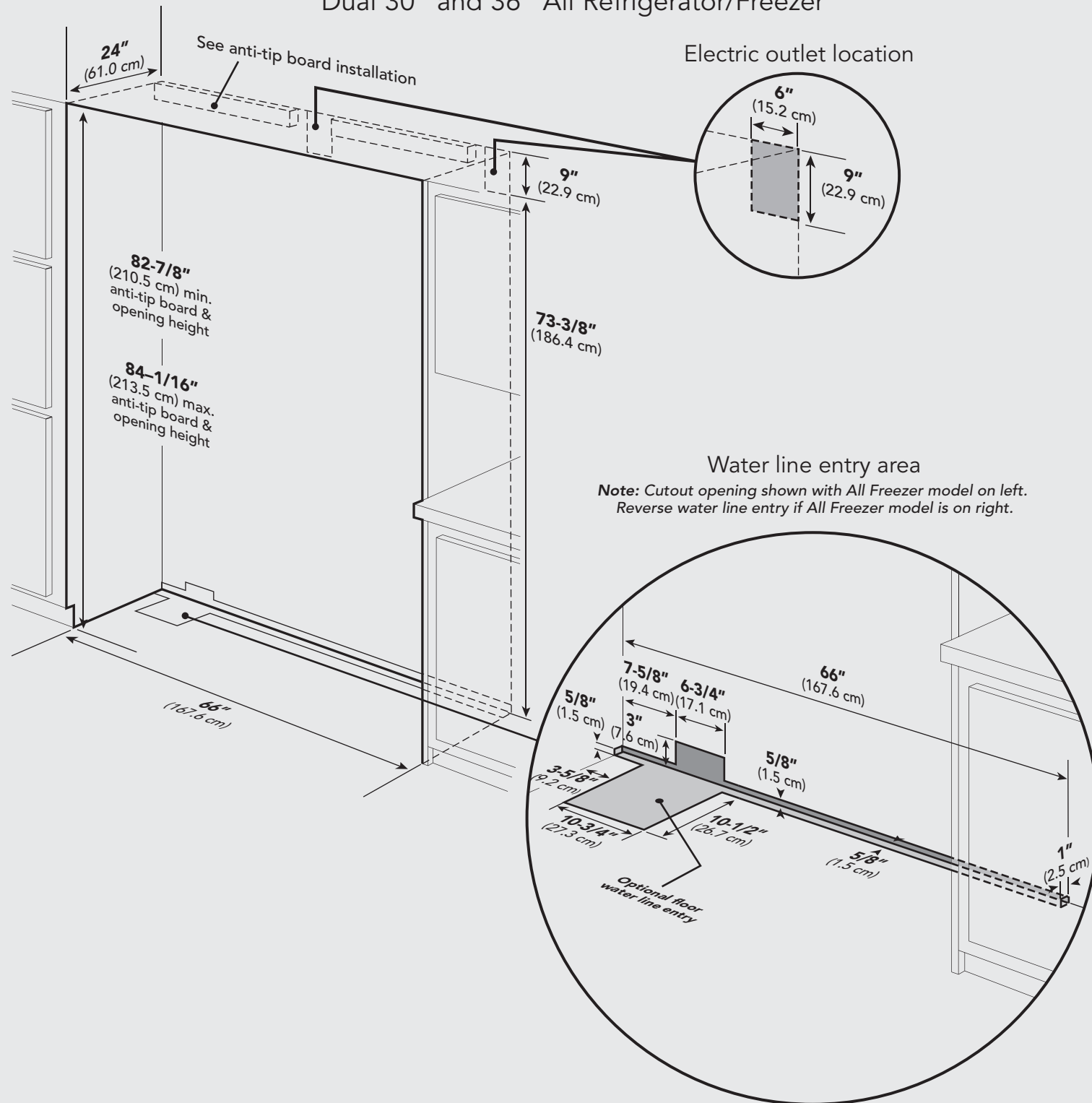


Anti-Tip Dimensions (All Refrigerator/Freezer)



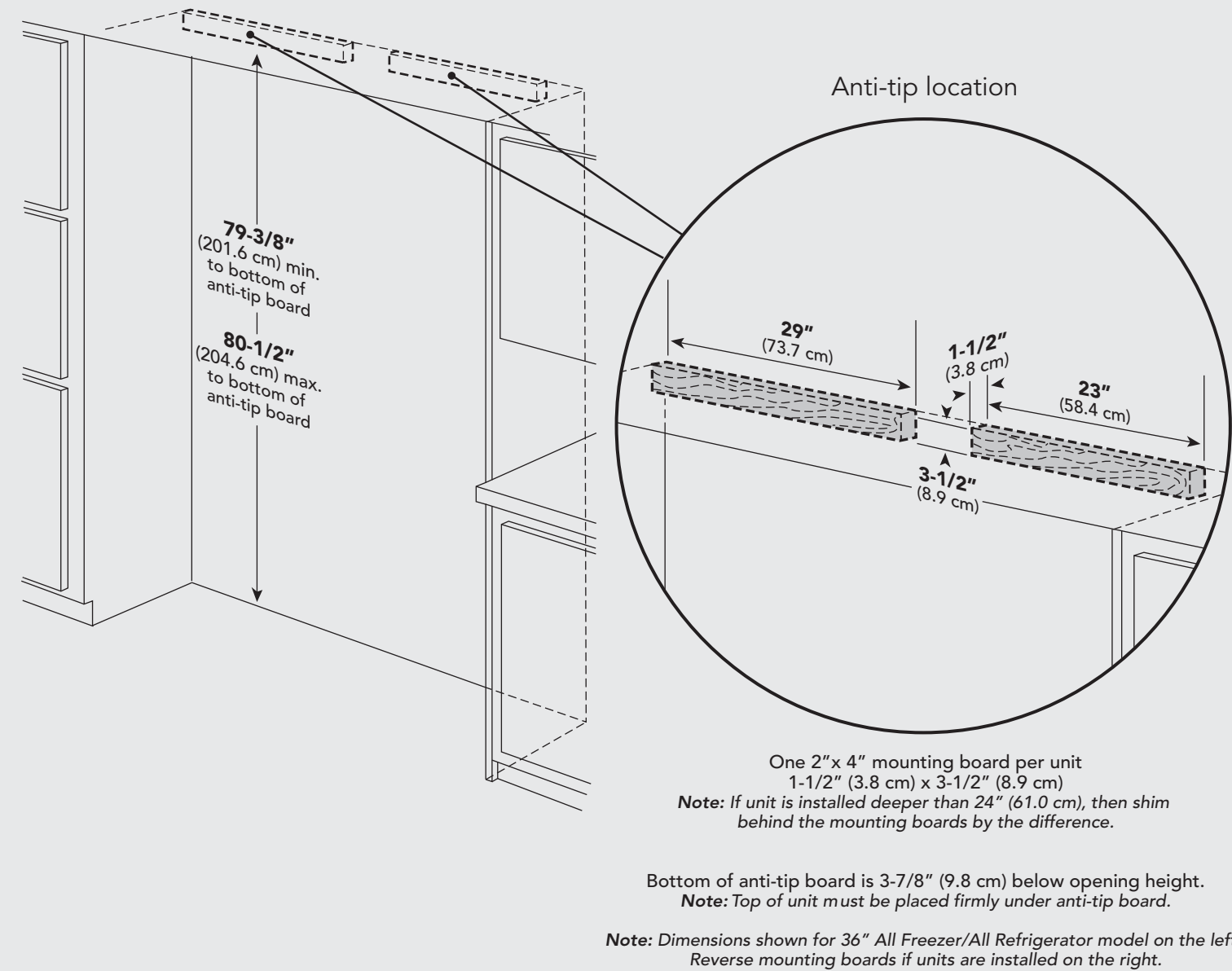
Cutout Dimensions (All Refrigerator/Freezer)

Dual 30" and 36" All Refrigerator/Freezer



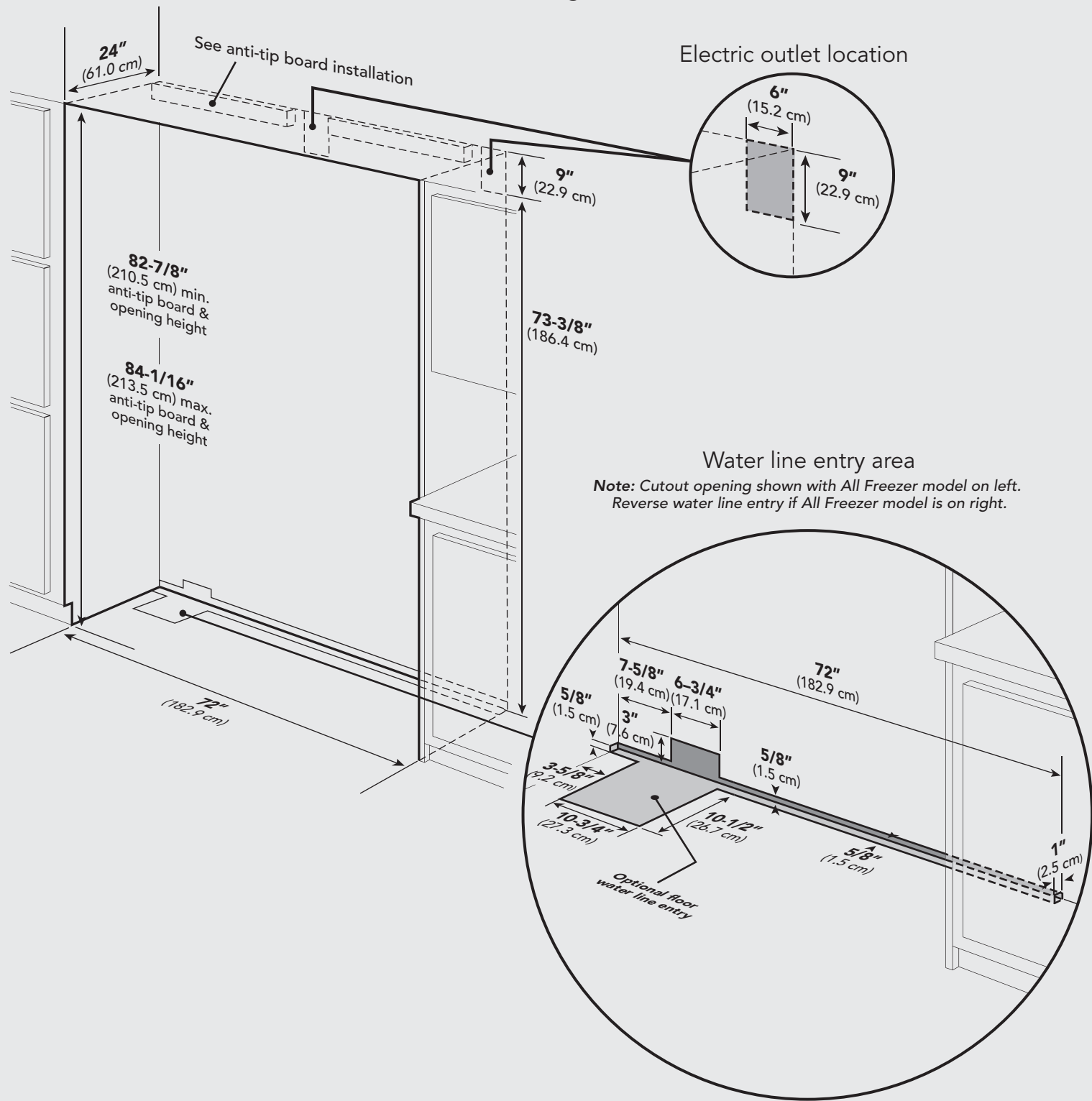
Anti-Tip Dimensions (All Refrigerator/Freezer)

Dual 30" and 36" All Refrigerator/Freezer



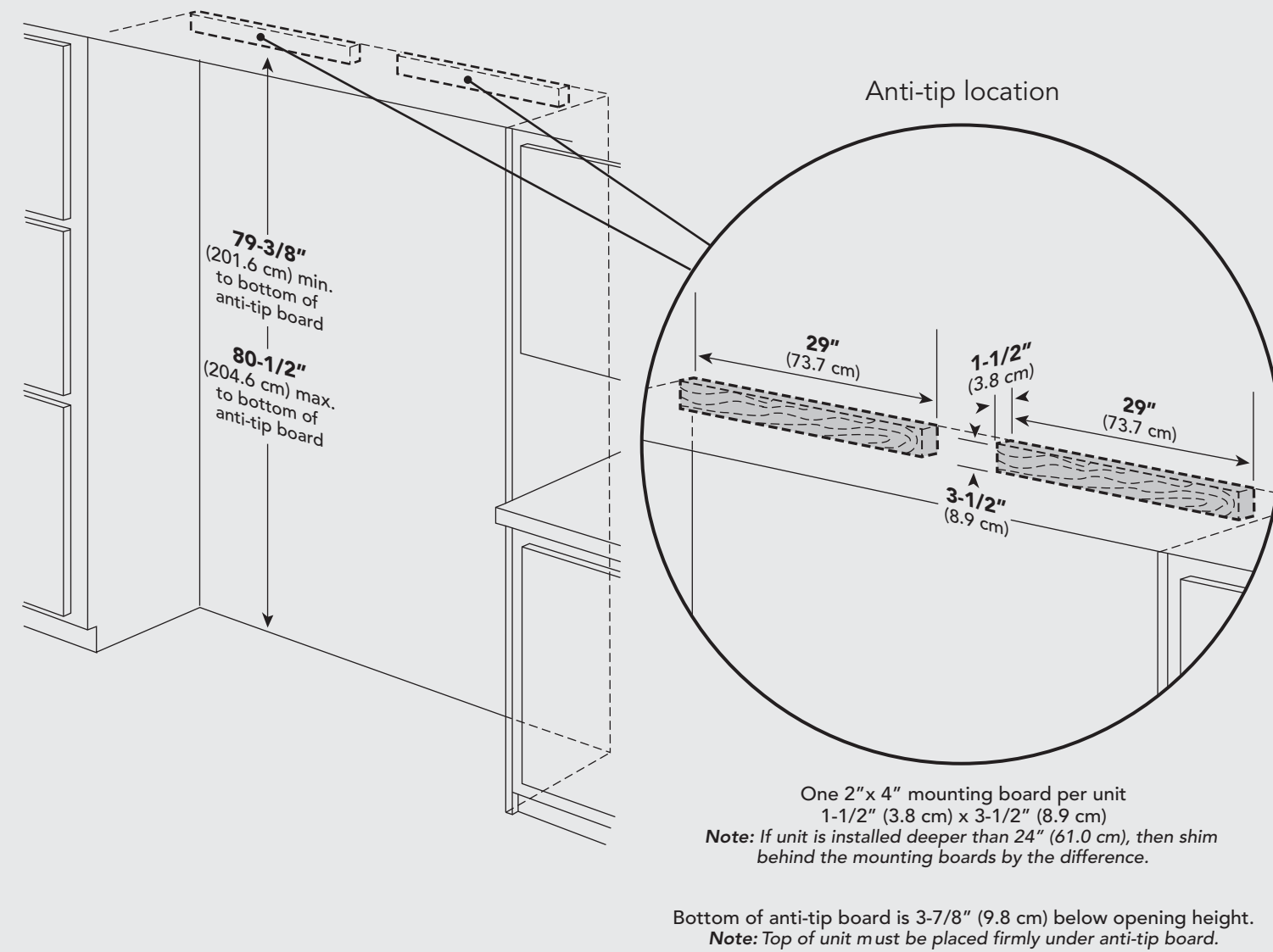
Cutout Dimensions (All Refrigerator/Freezer)

Dual 36" All Refrigerator/Freezer



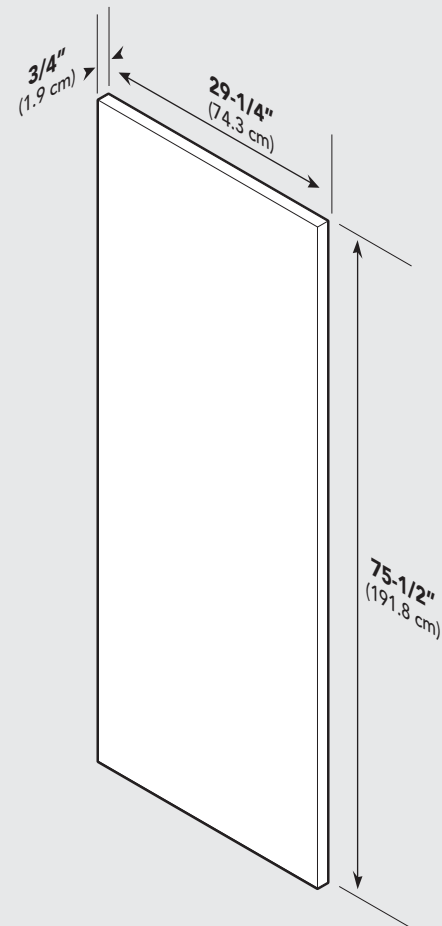
Anti-Tip Dimensions (All Refrigerator/Freezer)

Dual 36" All Refrigerator/Freezer

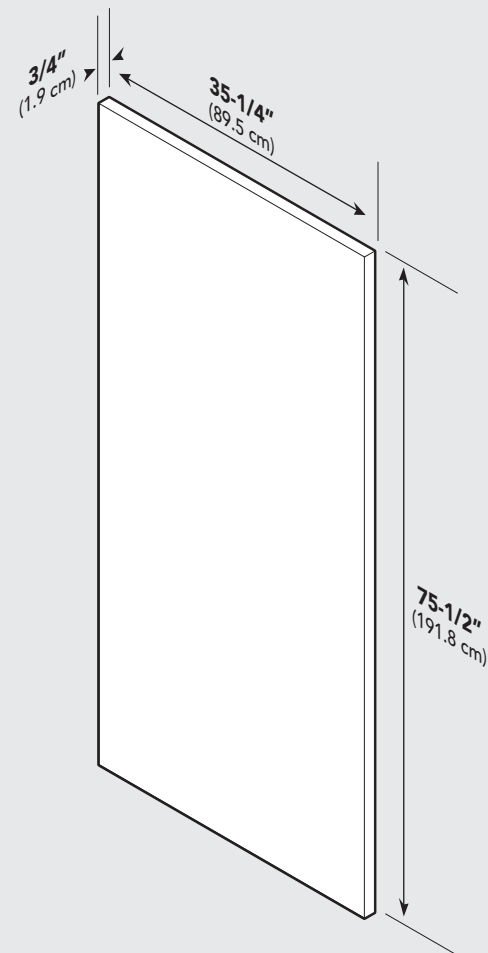


Overlay Dimensions (All Refrigerator/Freezer)

30" Custom Panels



36" Custom Panels



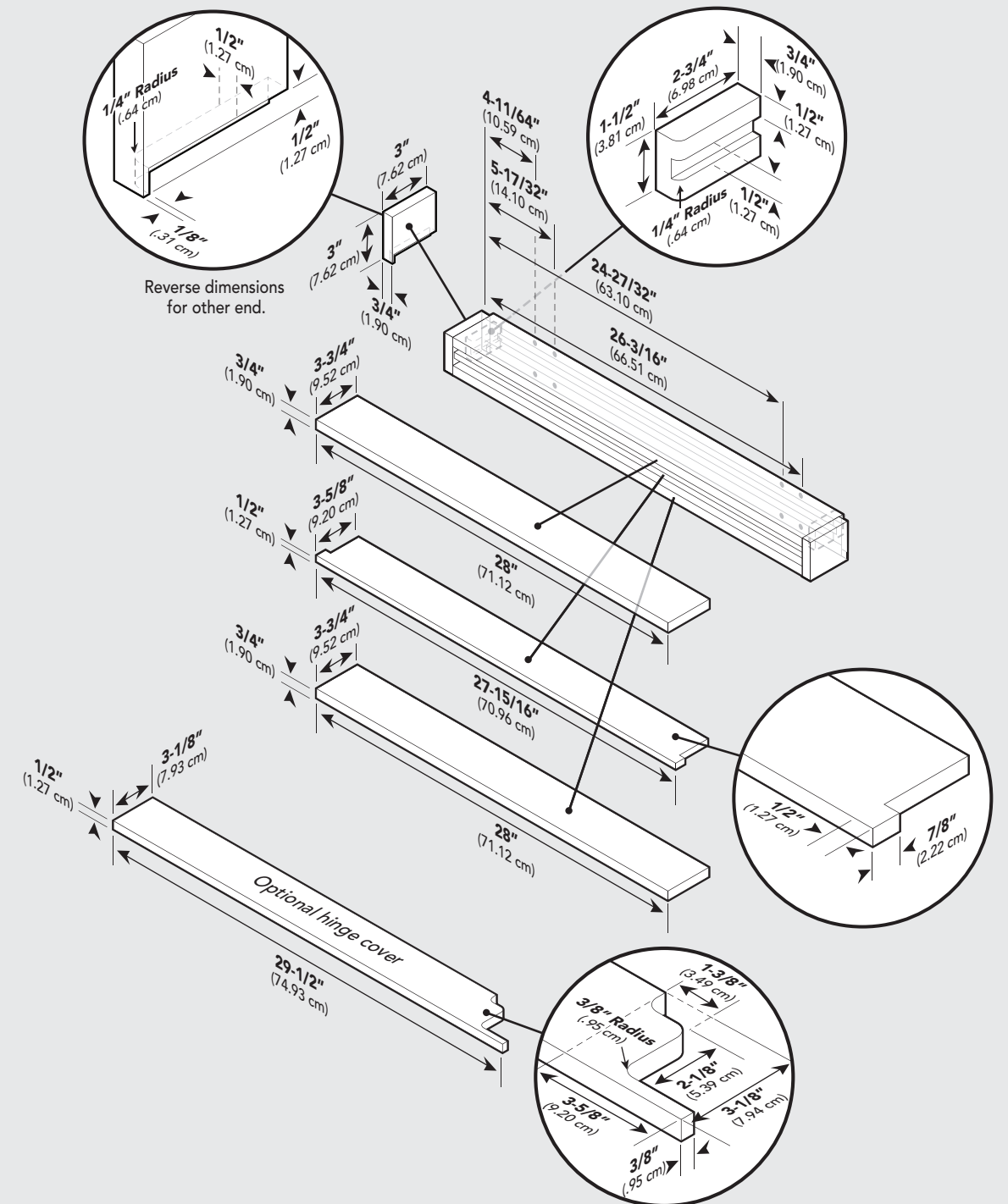
Note: Hardware placement can vary depending on single or dual installation.

Note: Panel overlays must be dry, solid, straight one piece panels. The use of multiple panel pieces to achieve the dimensions is not recommended.

Important: A 1/4" thick back panel is required. Make it 1/4" smaller than the dimensions shown. Locate it to achieve a 1/8" inset on all sides.

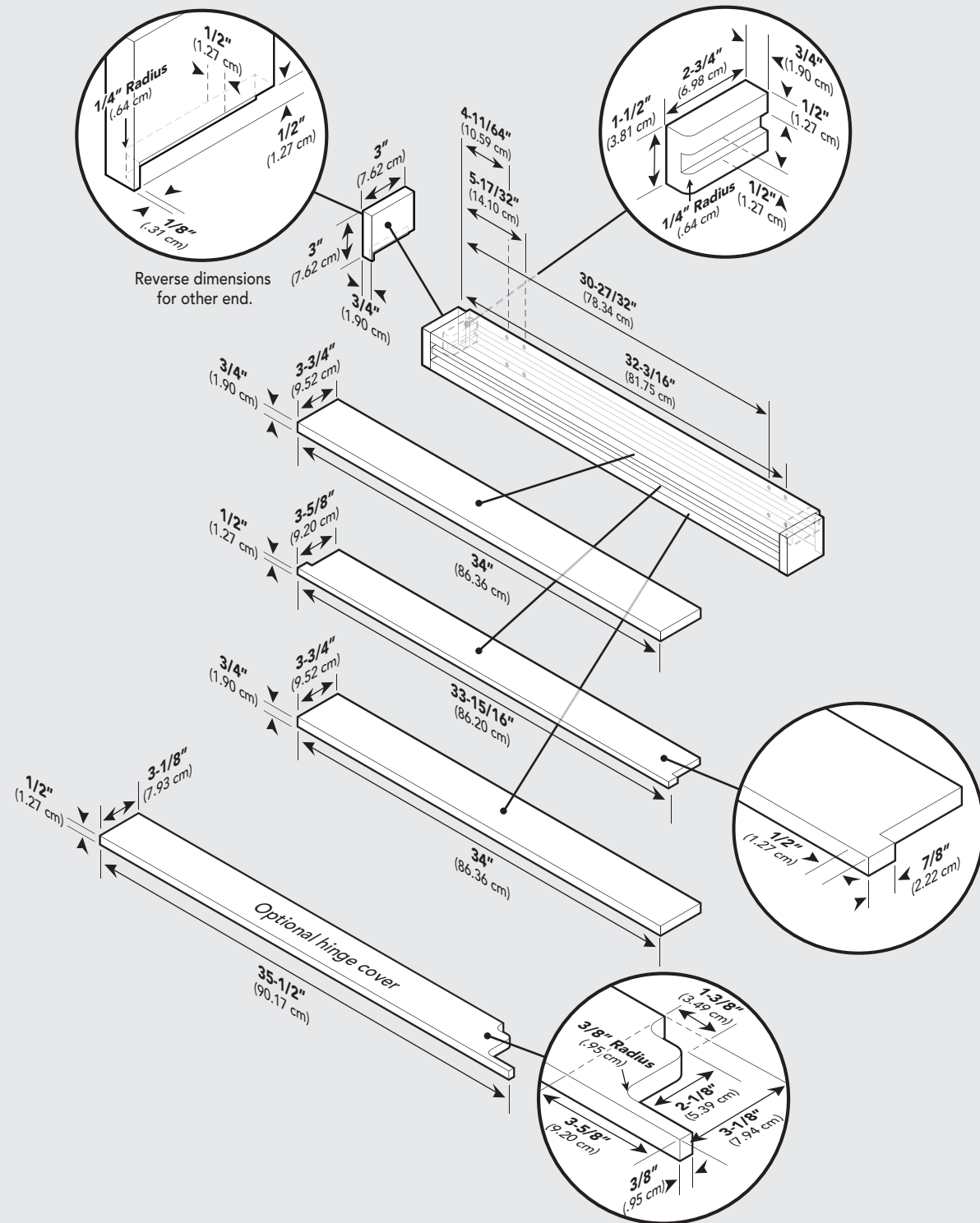
Custom Grille Dimensions (All Refrigerator/Freezer)

30" Custom Grille



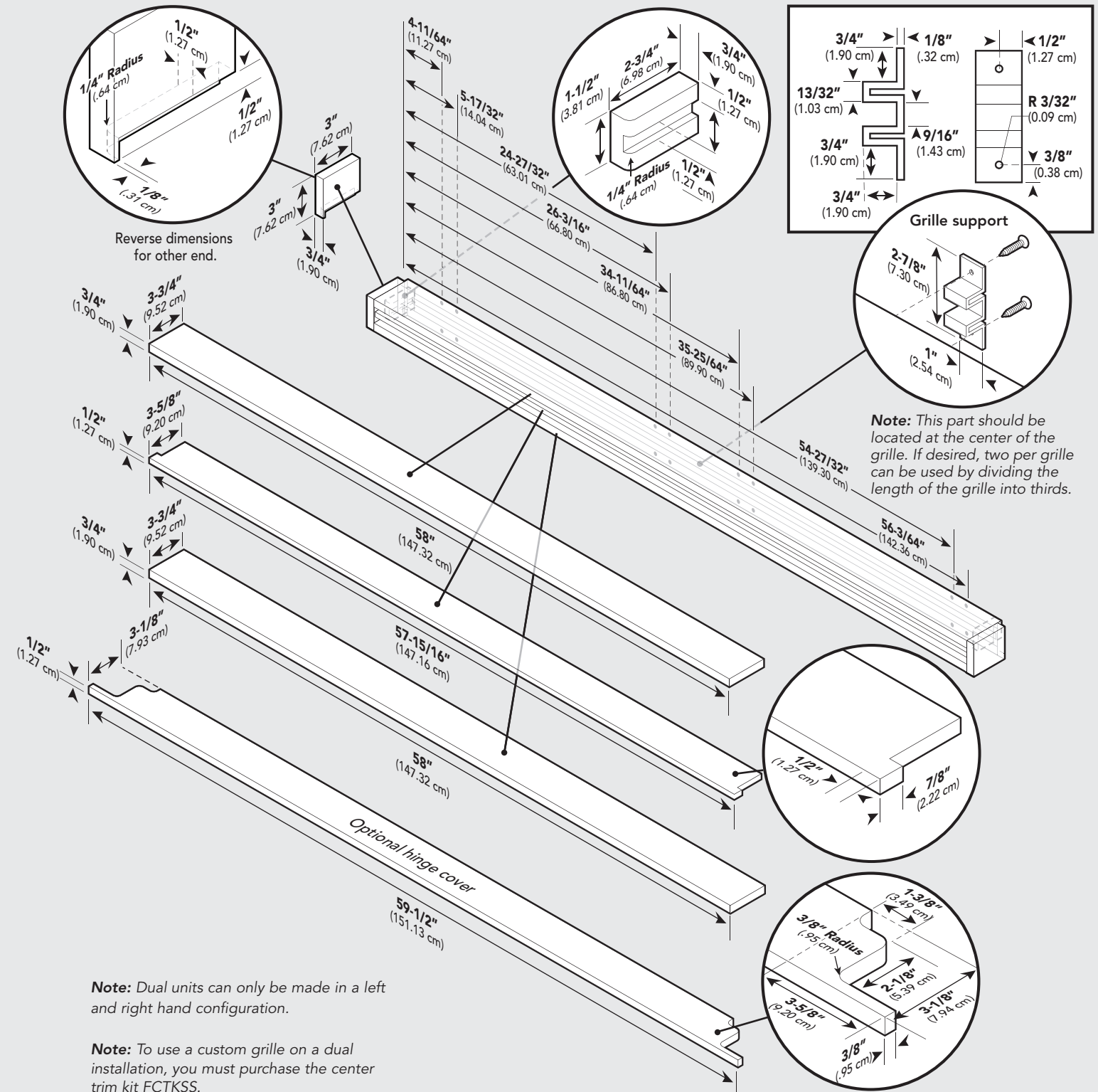
Custom Grille Dimensions (All Refrigerator/Freezer)

36" Custom Grille



Custom Grille Dimensions (All Refrigerator/Freezer)

Dual 30" Custom Grille

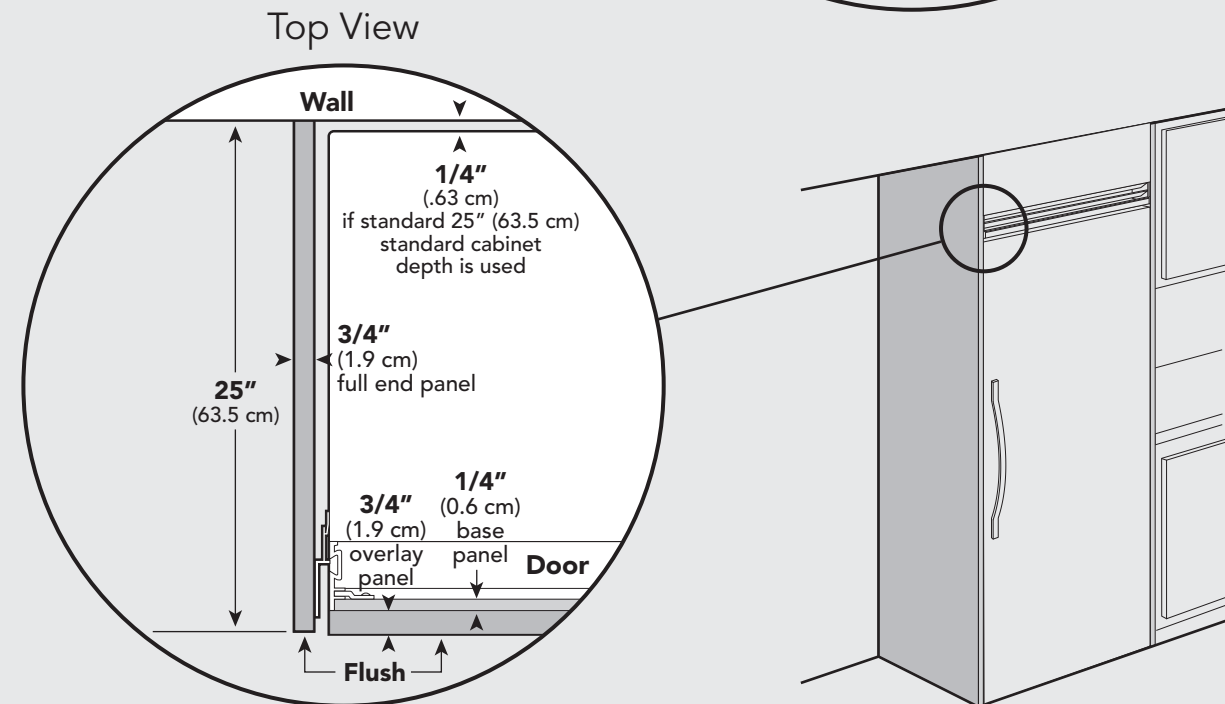
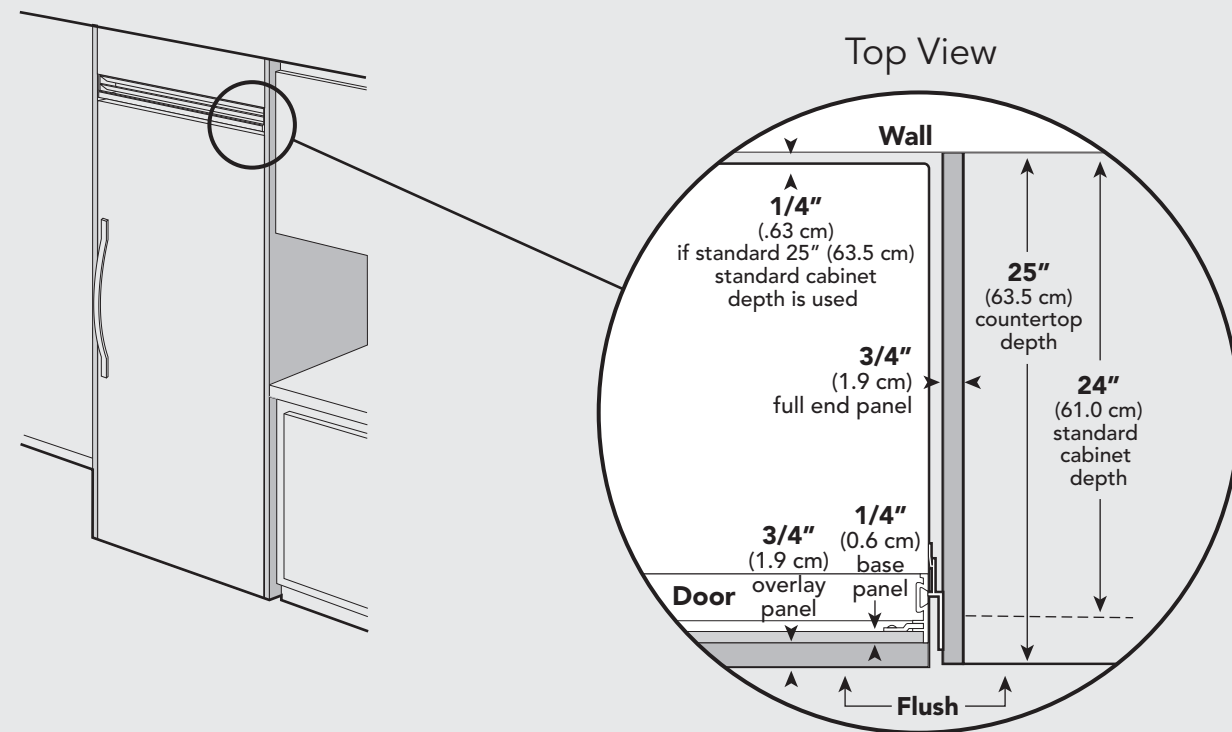


Note: Dual units can only be made in a left and right hand configuration.

Note: To use a custom grille on a dual installation, you must purchase the center trim kit FCKSS.

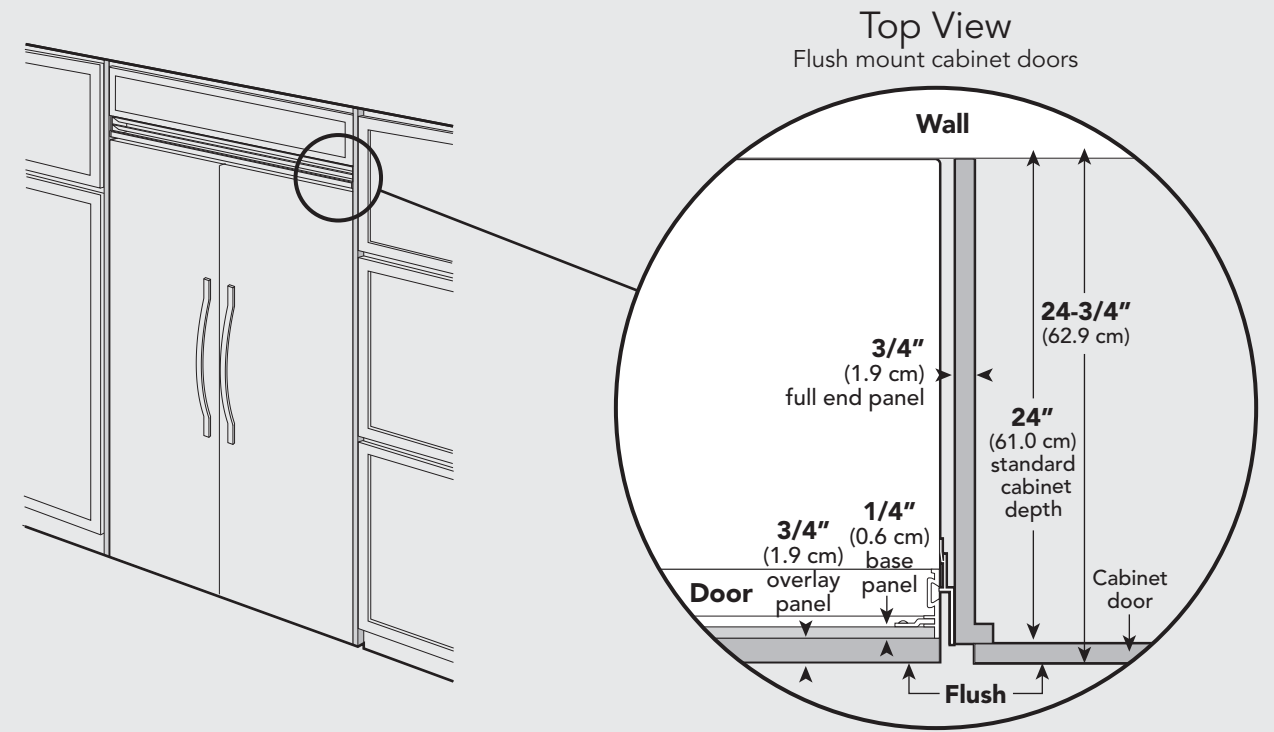
Cabinet Information

Full overlay models, (with 3/4" [1.9 cm], thick panels and custom handles locally supplied), fit flush in 25" (63.5 cm) deep (countertop depth) cabinet openings with no protrusion into room except custom handles

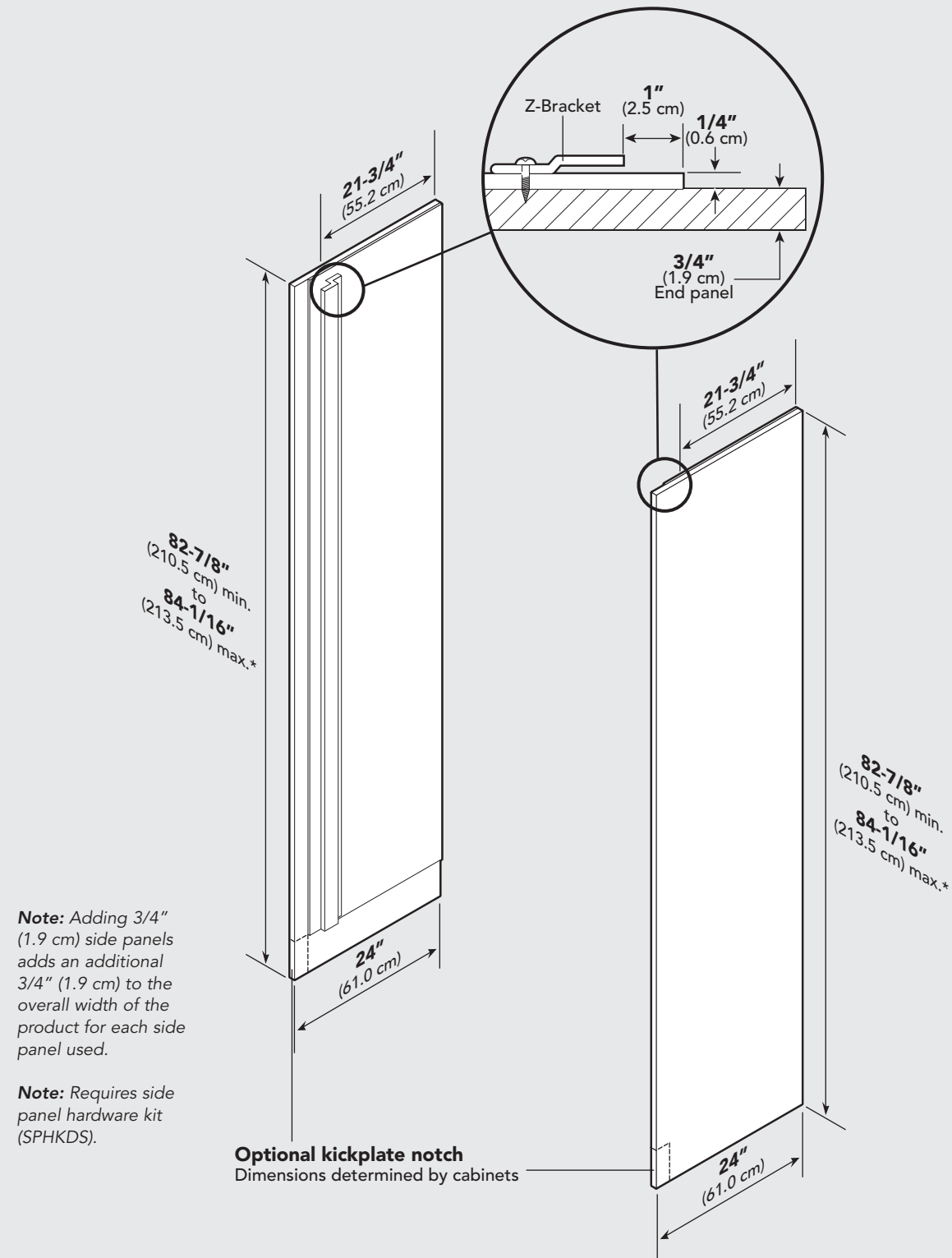


Cabinet Information

Full overlay models can be installed in standard 24" (61.0 cm) deep openings. However, the door faces and top ventilation grille will protrude 3/4" (1.9 cm) into the room. This is ideal for alignment with full overlay cabinet doors.



Custom Side Panel Dimensions



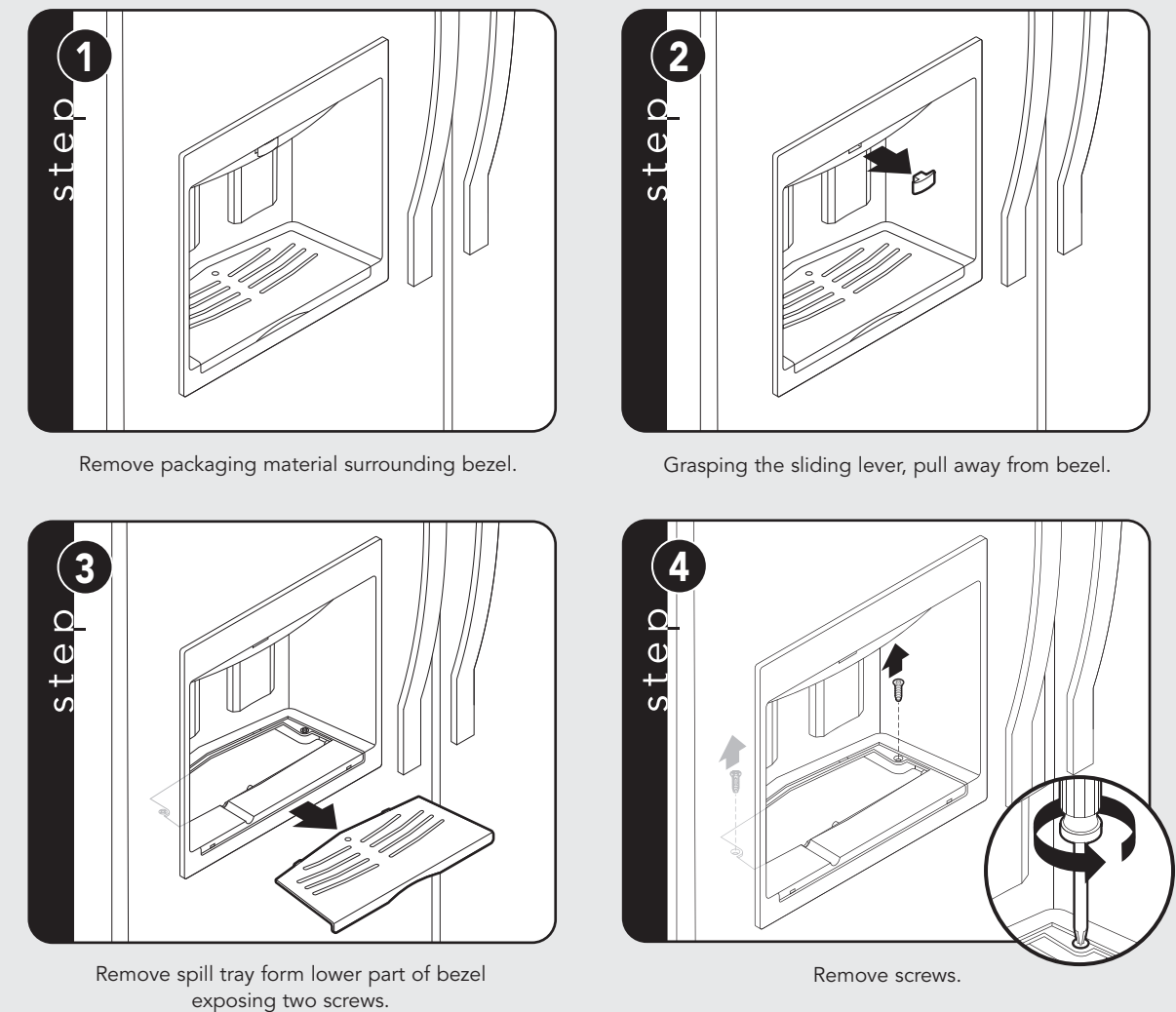
* Depending on how high leveling feet are raised, and cabinet enclosure height.

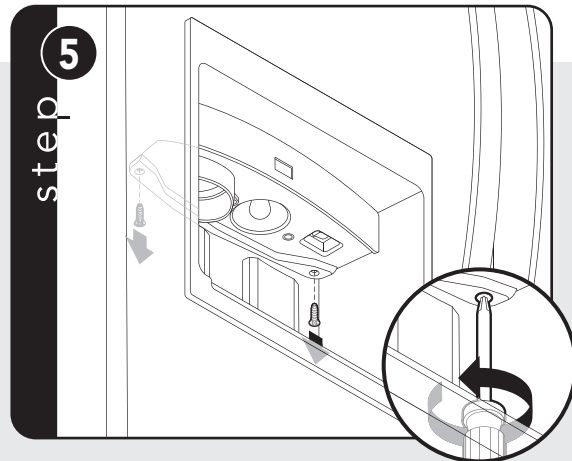
Custom Panel General Information

Custom finishing options

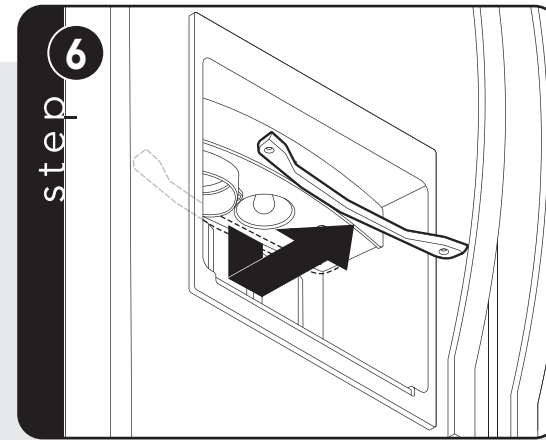
- All installations must allow for the refrigerator and freezer door to open a minimum of 90°.
 - For side wall or corner installation, allow for a standard 3" (7.6 cm) cabinet filler to assure door(s) open 90°.
- Note:** If a custom handle is used a wider filler may be necessary.
- Panel thickness must not exceed 1" (2.5 cm) on hinge side. Thicker panels will interfere with door swing and clearance.
 - A 1/4" wood filler or insulation filler must be used between the door and 3/4" wood panel to prevent condensation from forming.

Ice and Water Dispenser Bezel Removal (if required)

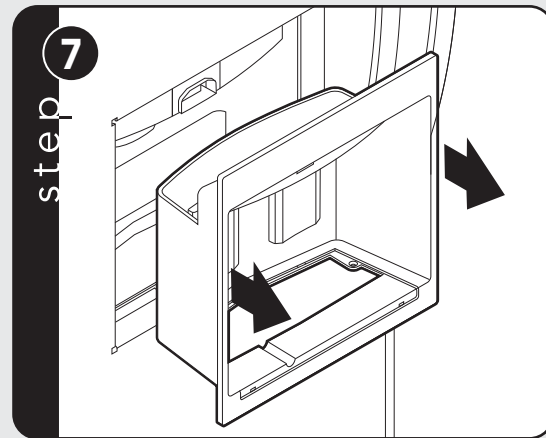




Remove two additional screws under top section of bezel.

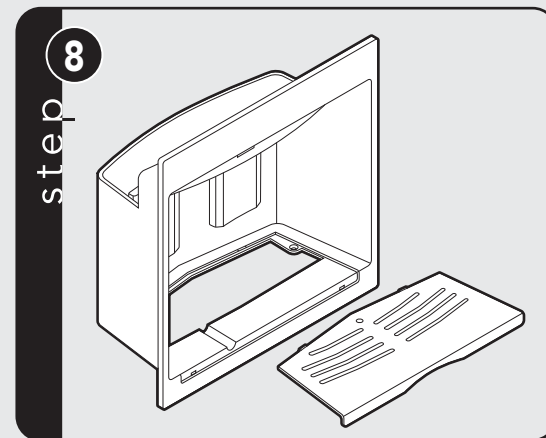


Remove mounting support.



Grasping the bezel on both sides, pull away from the door cavity.

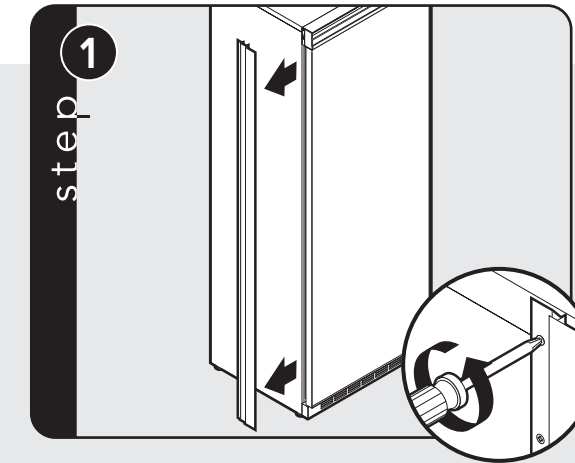
Note: Bezel needs to be pulled from the bottom first and then pull slightly downward to clear the water dispensing tube.



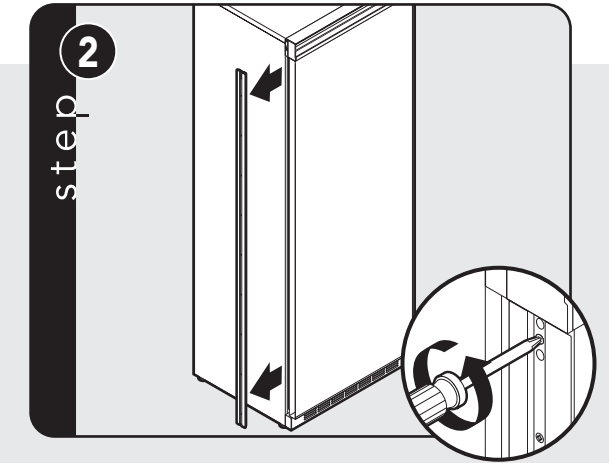
Store bezel and spill tray in safe and secure place until installation.

For re-installation steps, see pages 50-51.

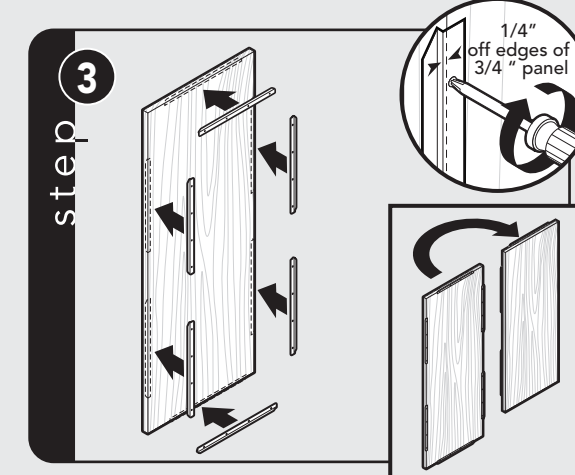
Custom Door Panel Installation (Refrigerator or Freezer)



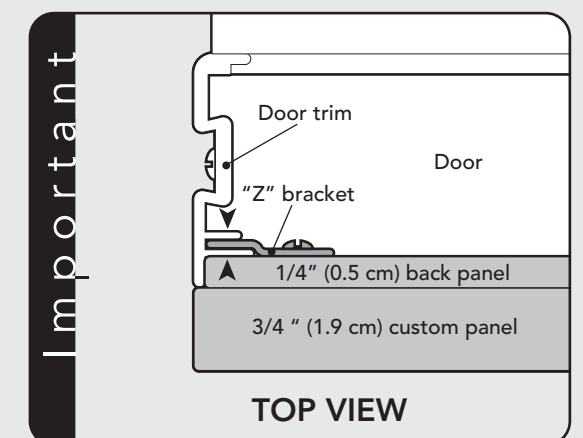
Remove handle side cabinet screws and trim with a Phillips screwdriver.



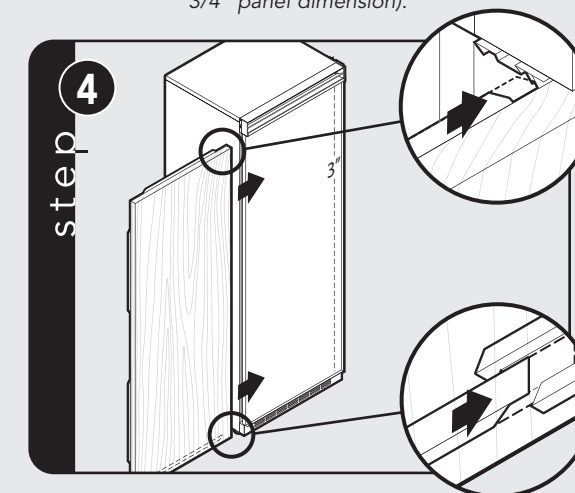
Remove handle side door trim screws and panel with a Phillips screwdriver.



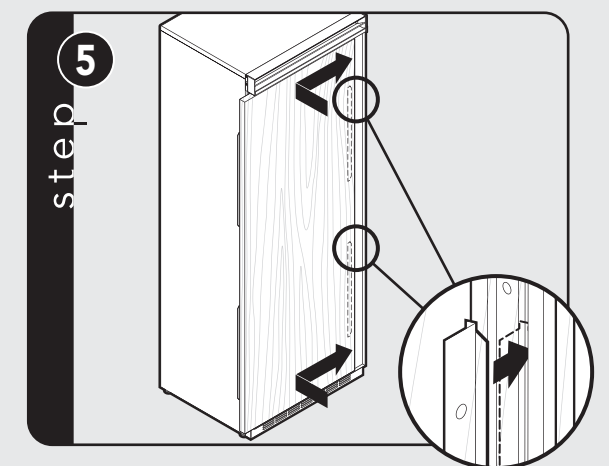
Install "Z" brackets onto back side of custom panels.
Note: If 1/4" back panel is used, the brackets will be flush to the edge (back panel is 1/4" smaller than 3/4" panel dimension).



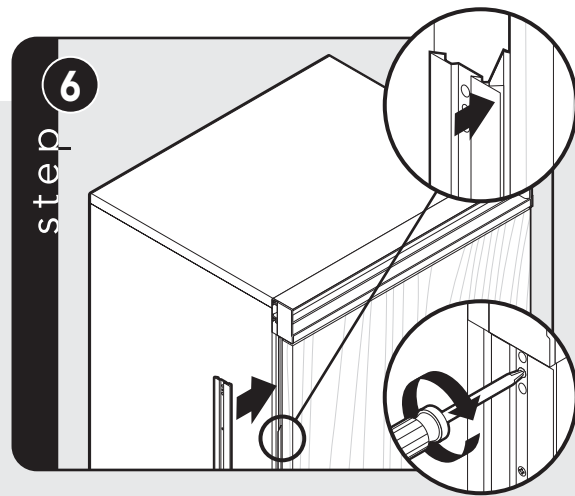
Important: Proper "Z" brackets engagement.
Note: A 1/4" back panel needs to be used to ensure proper insulation. If back panel is not used, the potential for condensation is present.



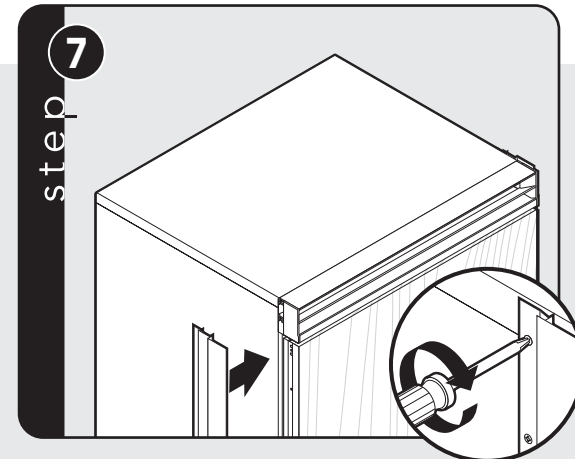
Align upper and lower "Z" brackets in door trim and push custom wood panel evenly toward the hinge until approximately 3" from the hinge side door trim.



For the last 3" of installation, push evenly on the custom wood panel near the side door trim in addition to pushing from the handle side. This ensures side "Z" bracket engagement with hinge side door trim.

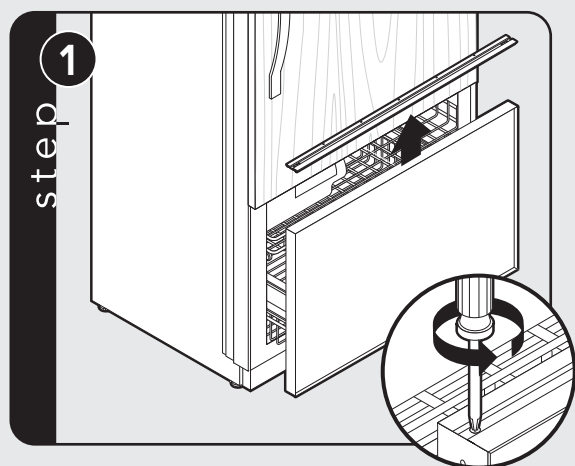


Insert handle-side door trim making sure to engage handle-side "Z" bracket in door trim. Install door trim screws.

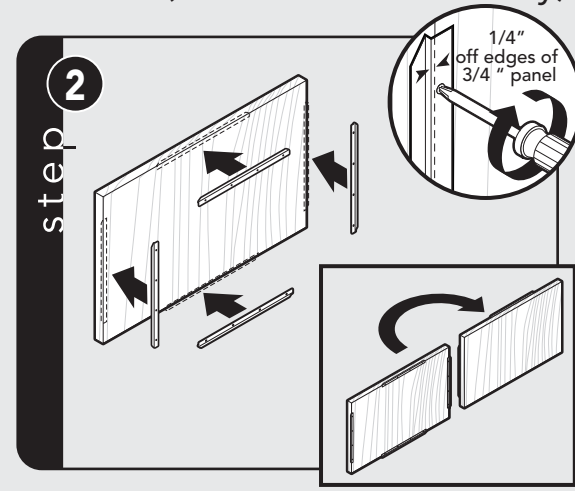


Reinstall cabinet trim and screws.

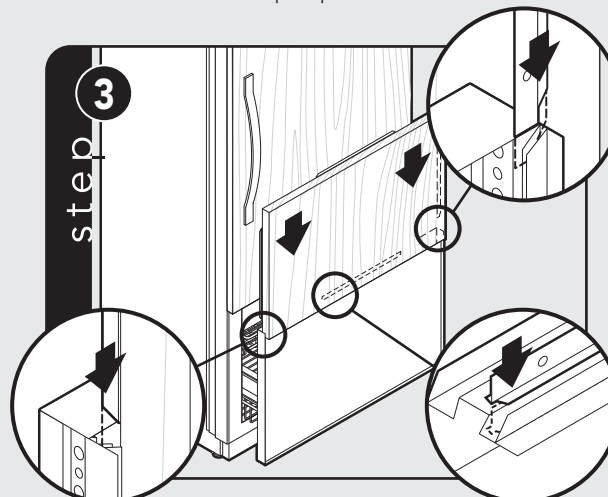
Custom Freezer Door Panel Installation (Bottom Mount Only)



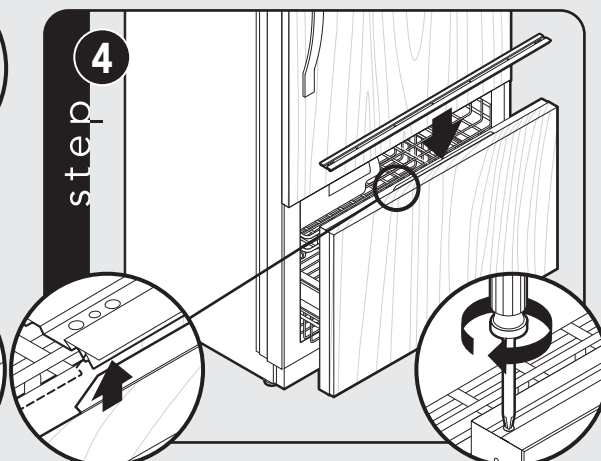
Open freezer door. Remove door trim screws and door trim with a phillips screwdriver.



Install "Z" brackets onto back side of custom panel.
Note: If 1/4" back panel is used, the brackets will be flush to the edge (back panel is 1/4" smaller than 3/4" panel dimension).

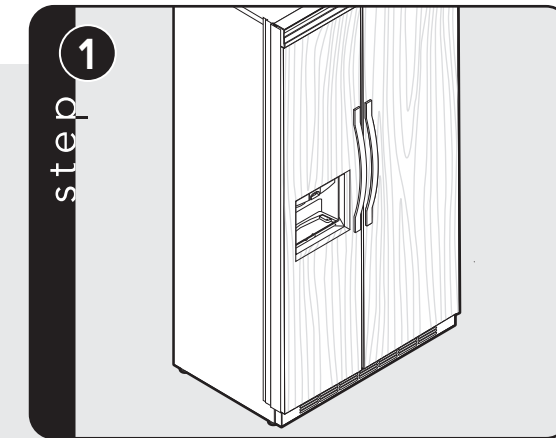


Align panel in door trim and push down evenly. Ensure side and bottom "Z" bracket engagement with door trim.

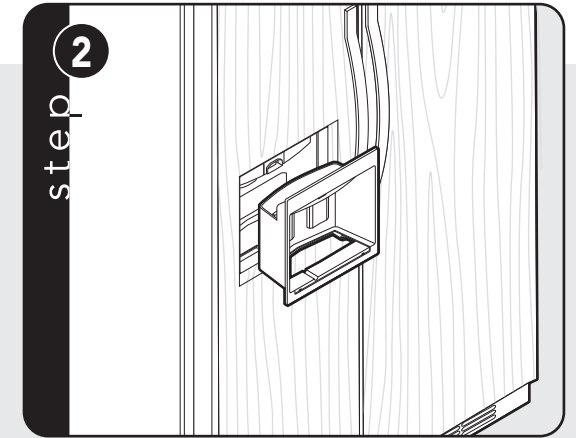


Reinstall top door trim and door trim screws with a phillips screwdriver.

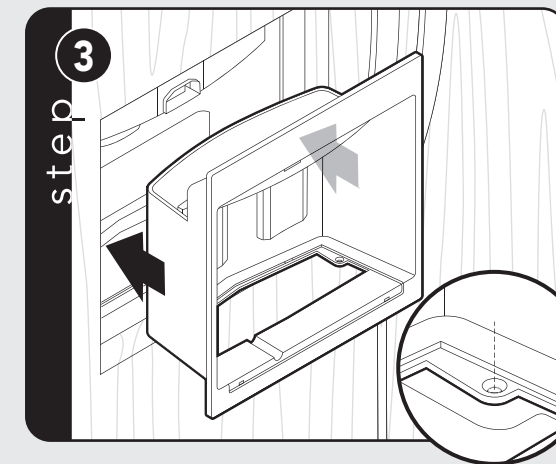
Ice and Water Dispenser Bezel Installation (if required)



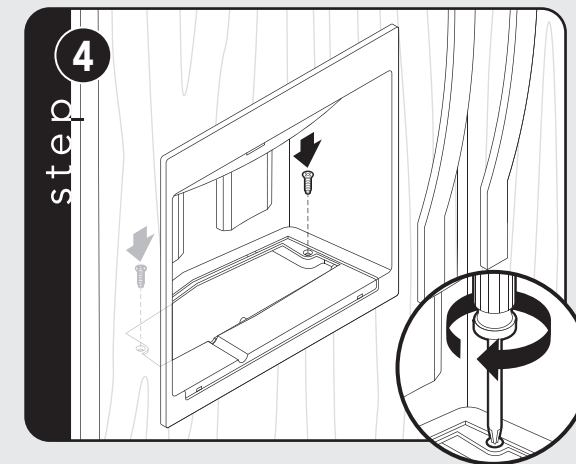
Install custom wood panels per product's installation instructions.



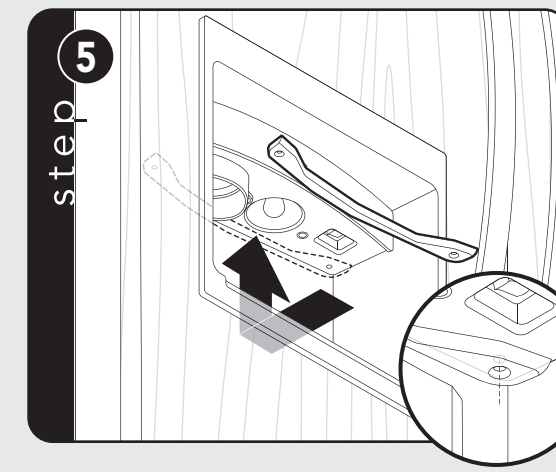
Locate opening in door and position bezel.
Note: Graphics on bezel will be on top end, tilt slightly forward to allow water tube clearance.



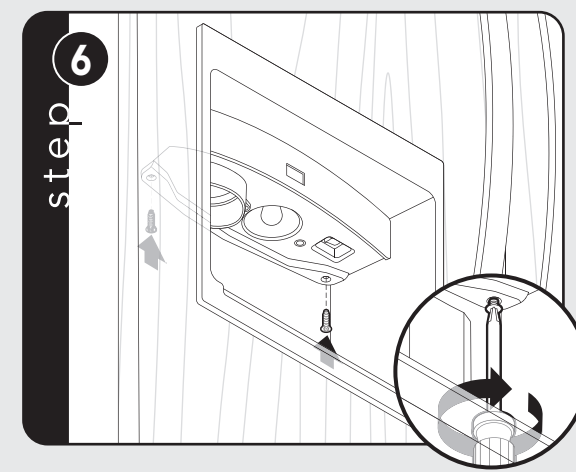
Push firmly into cavity until lower screw holes align with mounting holes on cavity.



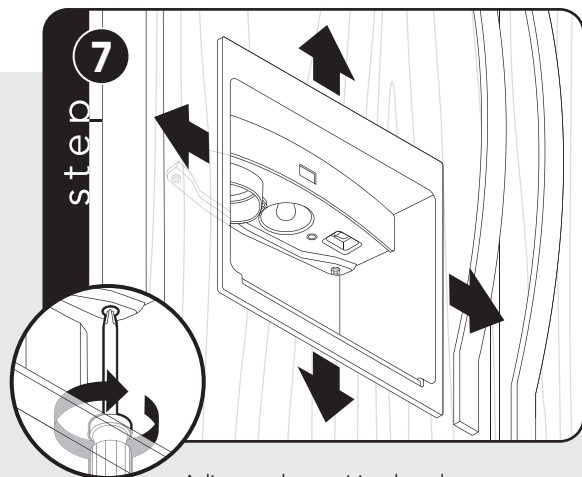
Install two screws in lower part of bezel but do not tighten all the way.



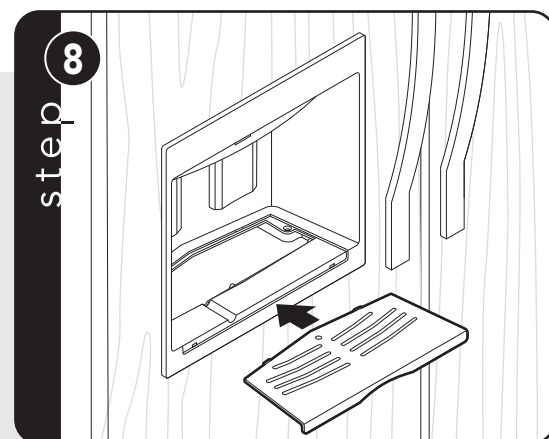
Position upper mounting support over holes underneath top section of bezel.



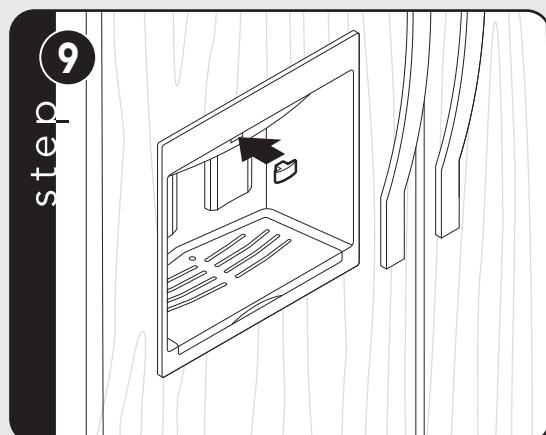
Install two screws but do not tighten all the way.



Adjust and reposition bezel as necessary. Tighten all screws securely.

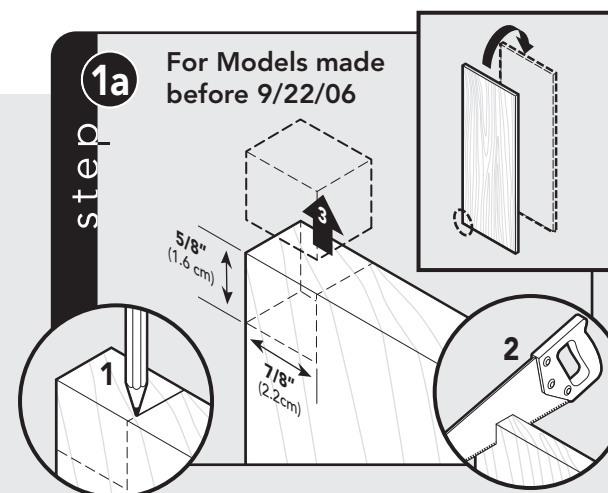


Replace spill tray in lower part of bezel.

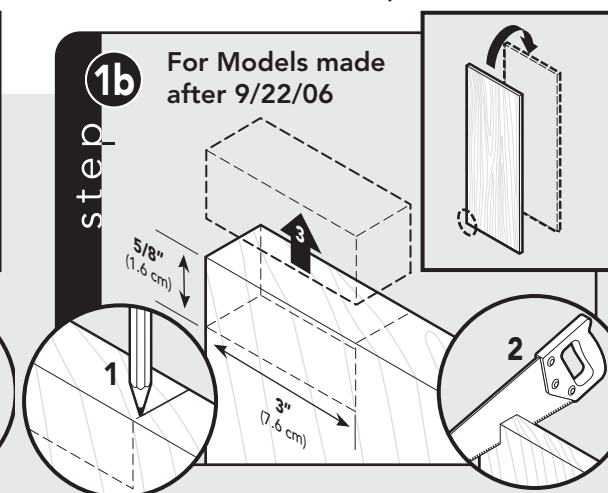


Align cube switch with sliding lever and firmly push until sliding lever is flush with bezel.

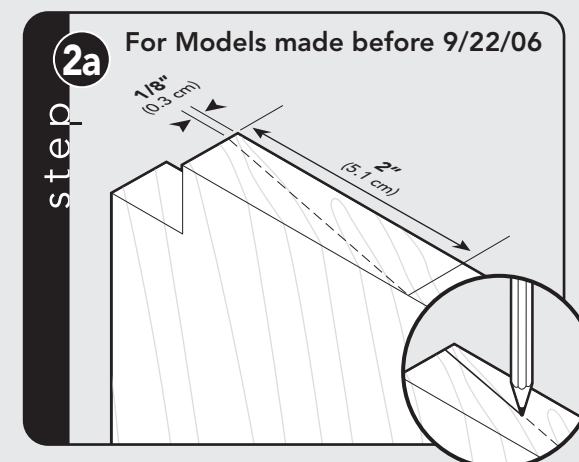
Bottom Mount Custom Panel Hinge Cutout (if required)



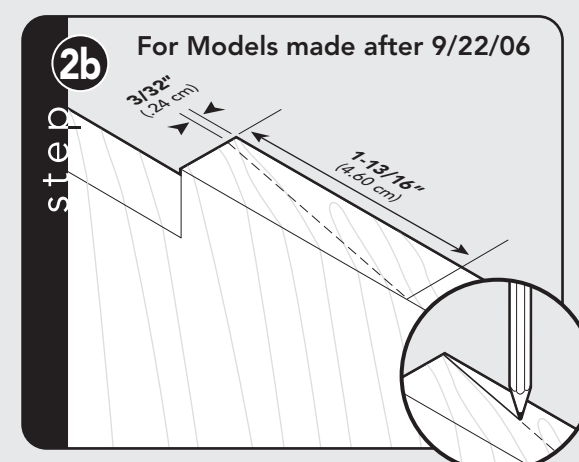
For a left hinge door, cut 5/8" x 7/8" in lower left corner. **Note:** Steps show panel upside down and notched for left hinge application. Mirror dimensions for right hinge door.



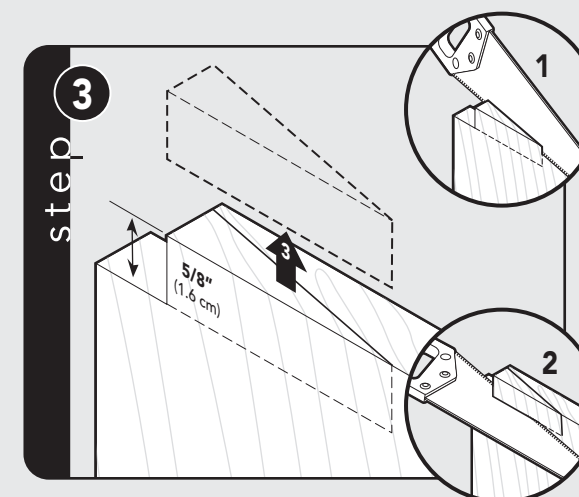
For a left hinge door, cut 5/8" x 3" in lower left corner. **Note:** Steps show panel upside down and notched for left hinge application. Mirror dimensions for right hinge door.



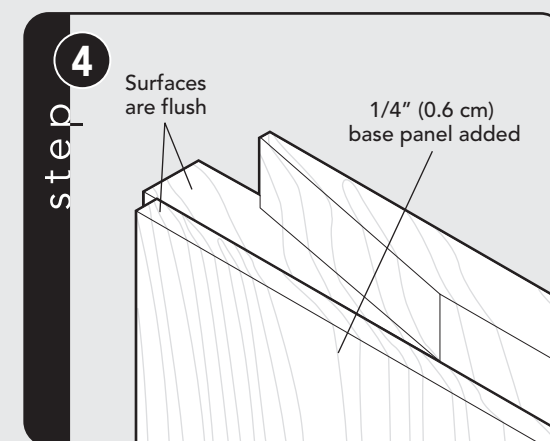
Measure and cut 1/8" x 2" diagonal in lower left corner.



Measure and cut 2 1/16" diagonal in lower left corner.

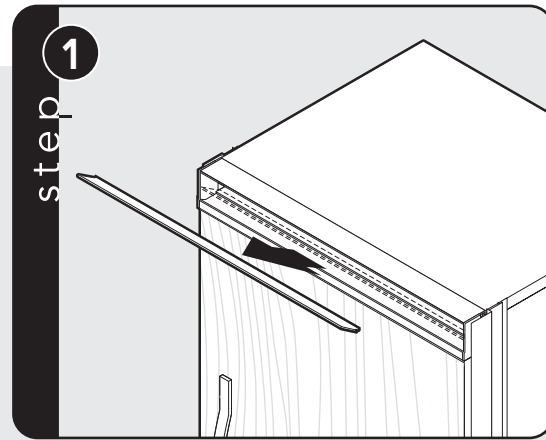


Cut out diagonal in lower left corner.

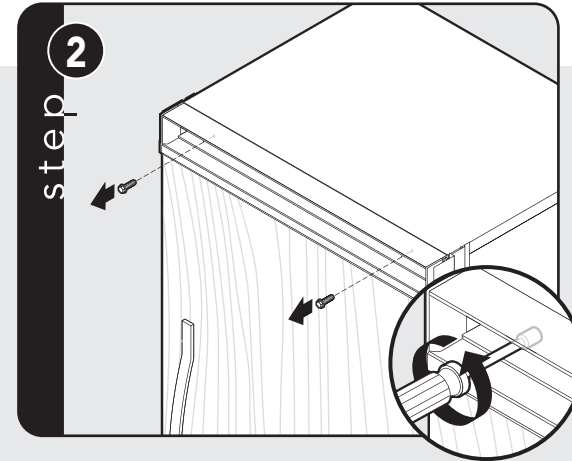


Final view of lower corner.

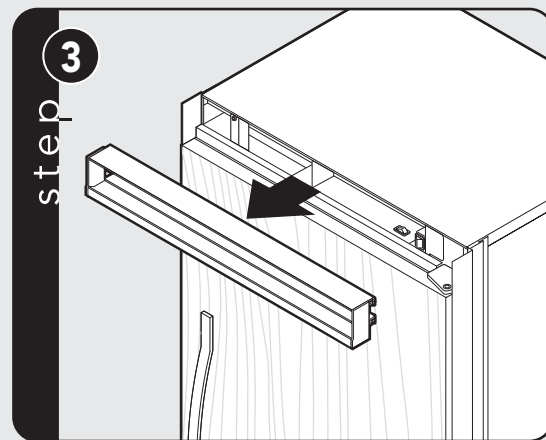
Custom Grille Installation



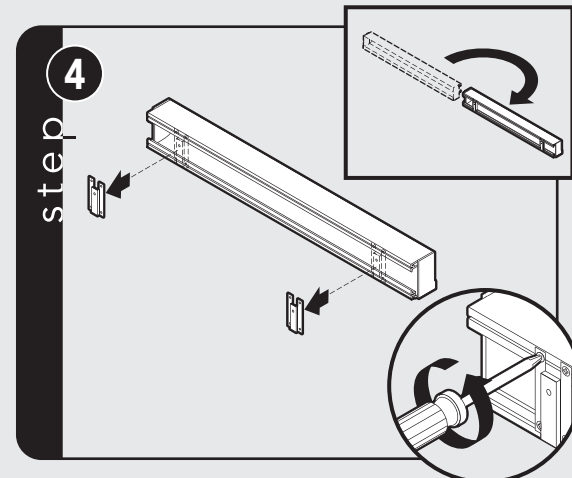
Remove air grille center blade.



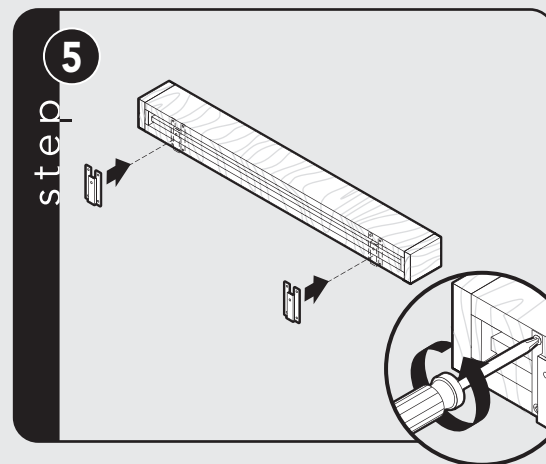
Remove two 1/4" (.6 cm) screws with a magnetic extended screwdriver at least 8" (20.3 cm) long.



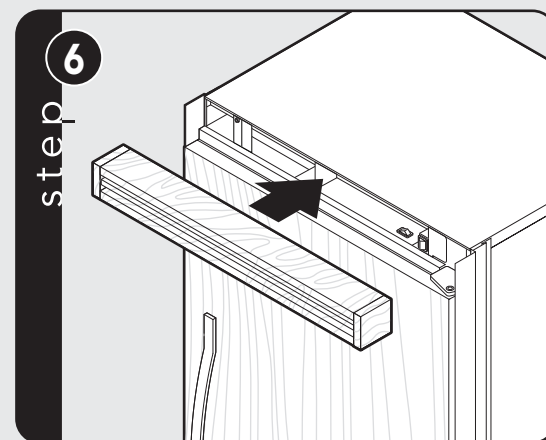
Pull air grille assembly forward.



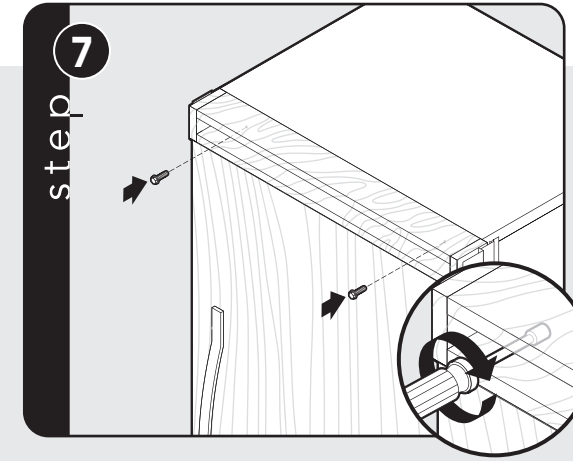
Remove two mounting brackets from the grille air assembly.



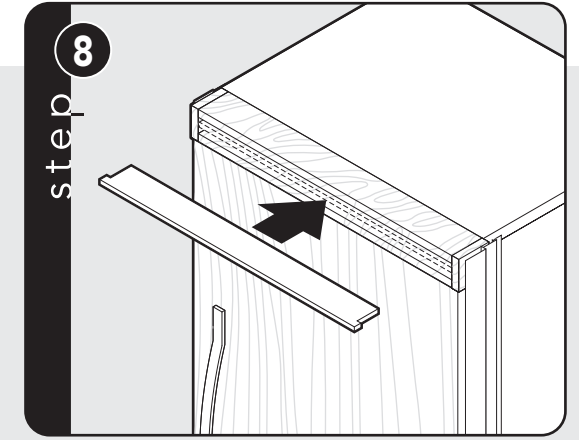
Using eight screws removed from the mounting brackets, attach mounting brackets to the custom wood grille using predrilled pilot holes. (See grille overlay specifications for proper alignment and pilot hole placement.)



Insert custom air grille assembly.



Install two 1/4" (.6 cm) screws with a magnetic extended screwdriver at least 8" (20.3 cm) long.



Install custom air grille center blade.

General Information

Area Requirements

Verify the following:

- Unit can fit into residence and can be moved around corners and through doorways.
- Floors can support unit's weight plus food weight (approximately 1200 pounds [540 kg] per unit).
- Rear wall is solid and is able to support two horizontally mounted 2X4s (included) bolted to two wall studs. The 2X4 board bolt heads must be flush with 2X4 to prevent obstruction.
- Remove anything attached to rear or side walls that can obstruct unit installation.
- Cutout dimensions are accurate.
- Electrical outlet is in correct location.
- Water line is in correct location.
- Do not install a refrigeration unit near a heat source, nor in a location where the surrounding temperature will fall below 60° F (16° C).

Electrical Requirements

It is the customer's responsibility to:

- contact a qualified electrical installer.
- assure that the electrical installation is adequate and in conformance with the National Electrical Code, ANSI/NFPA 70- latest edition or Canadian Electrical Code C22.1-1998 and C22.2 No. 0-M91 (or latest edition), and all local codes and

ordinances. A 115 volt, 60-Hz, 15 amp, fused, electrical supply is required. It is required that a separate circuit serving only this appliance be provided. This appliance is equipped with a power supply cord having a 3-prong grounding plug. To minimize possible shock hazard, the cord must be plugged into a mating 3-prong, grounding-type wall receptacle.

Do not use an extension cord.

If codes permit a separate grounding wire to be used, it is recommended that a qualified electrician determine that the grounding path is adequate.

DO NOT ground to a gas line. Check with a qualified electrician if you are not sure if the appliance is properly grounded. **DO NOT** have a fuse in the neutral or grounding circuit.

Anti-Tip Requirements

The anti-tip boards should be fastened into position prior to moving the unit into the opening.

Note: Additional mounting boards may be required if the unit does not touch the back wall of the enclosure. To prevent unit from tipping forward, it must be secured in place with a solid soffit or wood block.

General Information

Water Supply Requirements

⚠ WARNING

To avoid serious illness or death, do not use unit where water is microbiologically unsafe or of unknown quality, without adequate disinfection before or after the system. Systems certified for cyst reduction may be used on disinfected water that may contain filterable cysts. The contaminants or other substances removed or reduced by this water treatment system are not necessarily in your water.

Use only 1/4" (6 mm) copper tubing for water line. Do Not install copper tubing in area where temperatures drop below 35° F (1.7° C). Before attaching copper tubing to the unit, flush at least 2 quarts (1.9 L) of water through the copper tubing and into a bucket to remove any particles in the water line.

- **Viking Range Corporation is not responsible for property damage due to improper installation or water connection.**
- Connect 1/4" (6mm) flexible copper tubing to household plumbing in compliance with local codes and ordinances.
- Length of copper tubing must reach from water supply connection to the unit connection with an additional length to facilitate moving the unit out of enclosure for cleaning or service. Tubing should be soft instead of rigid and ends should be free of burrs.
- Copper tubing route must be above 35° F (1.7° C) to prevent water line from freezing.

- **Do not use plastic water lines from the household plumbing to the water inlet valve connection on the refrigeration unit.**
- **Do not use the self-piercing feature of a saddle valve.** The hole made by the piercing lance is too small for the water flow rate required by the ice maker.
- If saddle valve is not used, place a separate shut-off valve in an easily accessible location between water supply and the unit. Do not install shut-off valve behind the unit.
- The installation of Viking units with a reverse osmosis system is acceptable **as long as the water pressure remains within the allowable PSI as stated below.** It is important to note that with many reverse osmosis systems, the pressure starts off high, but then it decreases as the water level of the reverse osmosis storage area drops. This must be considered when checking the water pressure coming into the unit.
- Connect a vertical or horizontal 1/2" (1.2 cm) to 1 1/4" (3.2 cm) COLD water line near water area.
- Run water line through the floor, back, or side wall. Tubing should lay flat on floor underneath the unit. Clamp tubing to wall or floor.
- Water pressure must be greater than 20 psi and less than 120 psi on non-dispensers and greater than 35 psi and less than 120 psi on dispensers.

General Information

- Most of the unit's weight is at the top. Extra care is needed when moving the unit to prevent tipping.
- Do Not remove protective film until unit is in operating position.
- All four leveling legs must make contact with the floor to support and stabilize the full weight.
- Do not drop unit.
- Remove exterior shipping materials prior to moving unit into home.
- Use two or more people to move and install unit. Failure to follow this instruction can result in back or other injury.
- To avoid personal injury, wear gloves when performing any installation procedure and wear eye protection when cutting metal straps.

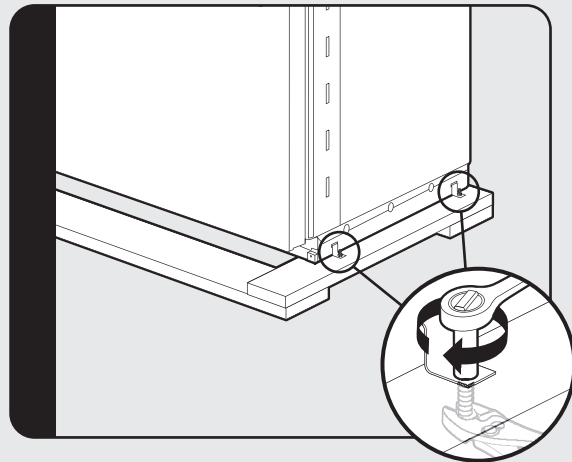
TIP OVER HAZARD

Appliance is top heavy and tips easily when not completely installed. Keep doors closed until appliance is completely installed and secured per installation instructions. Use two or more people to move and install the appliance. Failure to do so can result in death or serious injury.

Unpacking unit

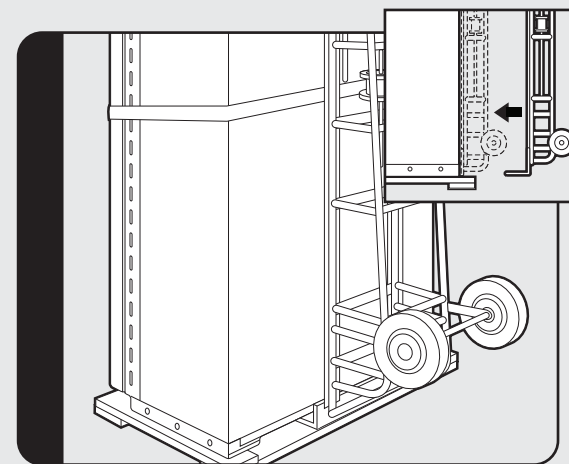
1. Remove top and bottom strap.
2. Remove top cap.
3. Cut rear of carton approximately 1/4" (0.6 cm) to 1" (2.5 cm) from right corner with a utility knife extended 1/4" (0.6 cm).
4. Remove carton and exterior packaging. Save cardboard shipping material to protect floor surface when installing unit. Remove anti-tip board, kickplate and door trim pieces (DF models) from rear of unit.

Moving Unit



Remove shipping brackets from skid by removing four bolts (two on each side) with a 1/2" deep-well socket wrench and a pair of pliers.

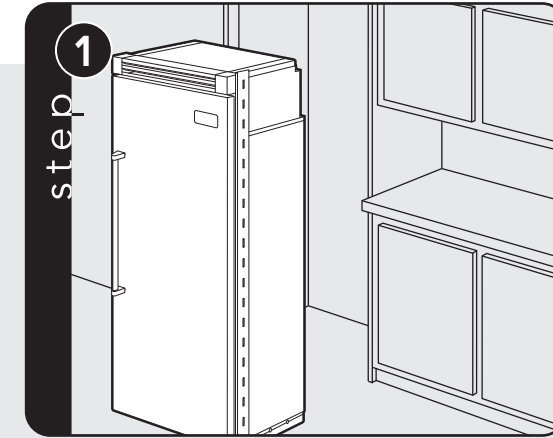
Note: Tilting unit is not required to remove shipping brackets.



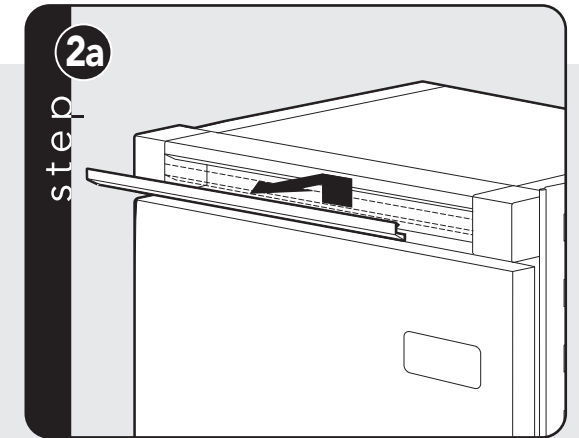
Slip appliance dolly between unit and skid. Remove unit from skid.

Note: Use excess packaging to protect decorative trim; also, verify that leveling legs are up (0" adjustment).

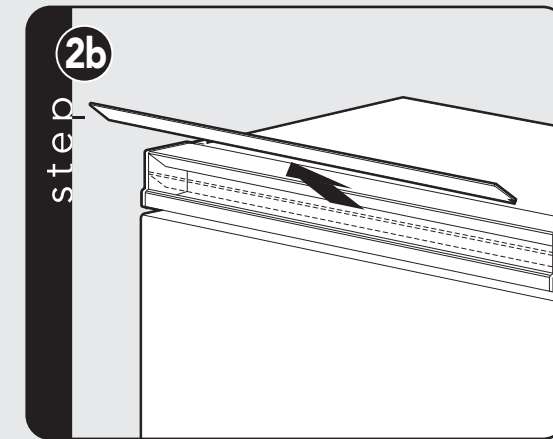
Installation



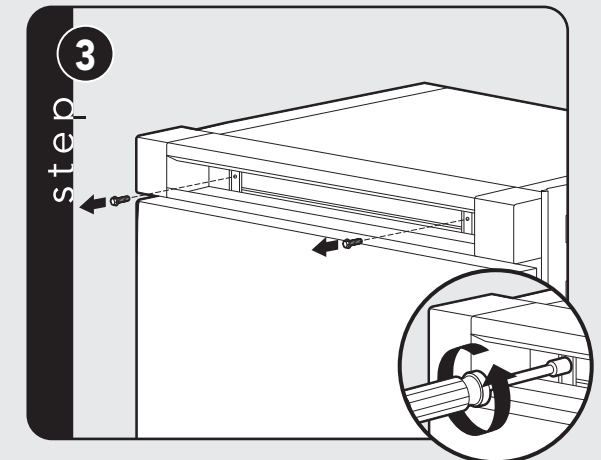
Place unit in front of cutout.



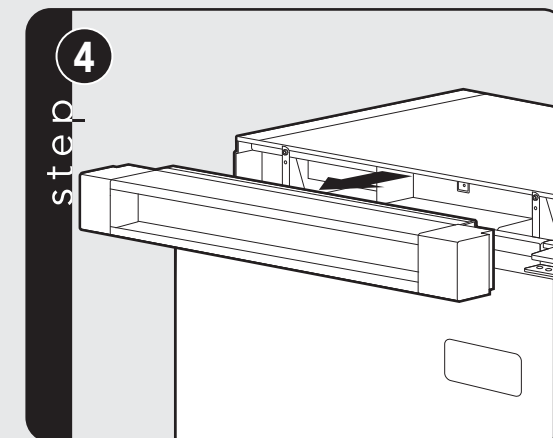
(Professional) Lift center grille louver up and pull out.



(Designer) Pull the center grille louver at an angle and pull out.

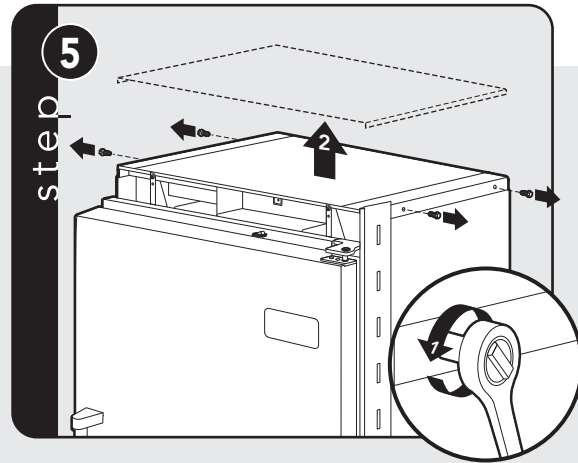


Using an 8" magnetic nut driver, remove the two 1/4" screws.

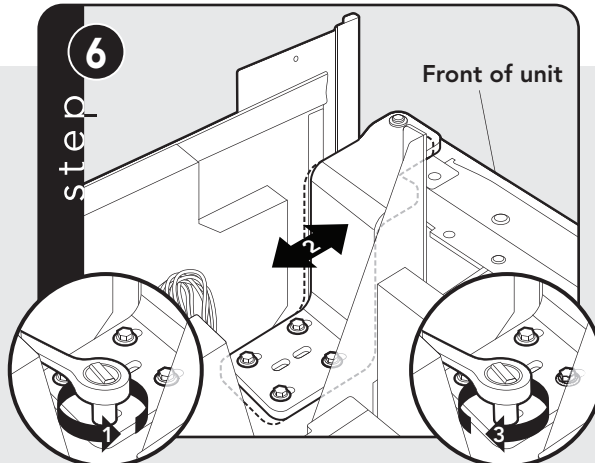


Remove grille assembly.

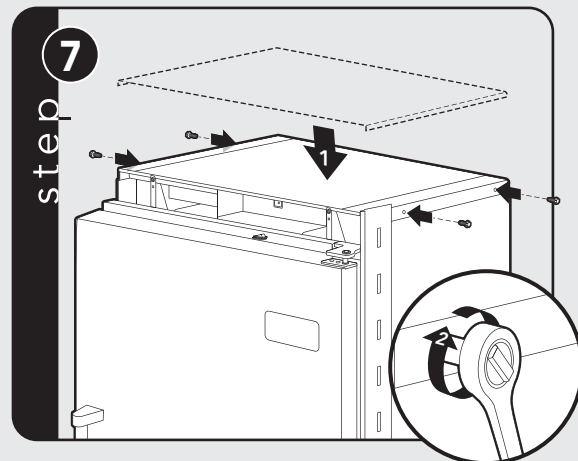
Hinge Adjustment



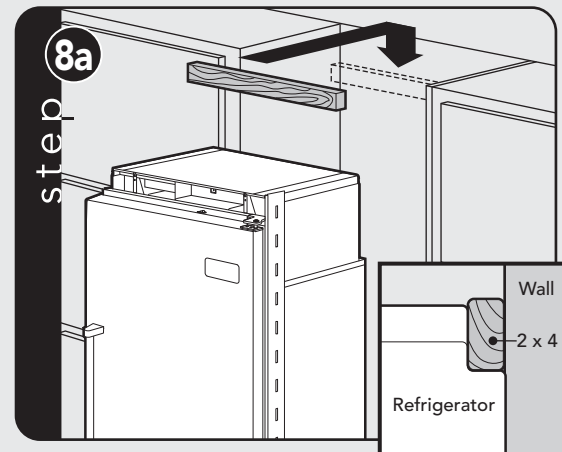
Remove four side screws and remove unit top.



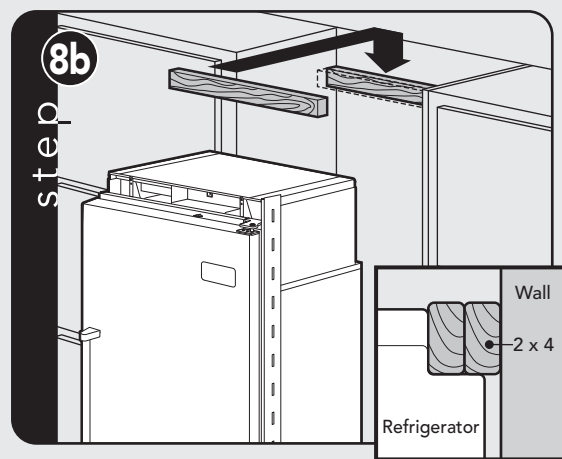
Loosen the four hinge screws. Adjust door. Retighten four hinge screws.



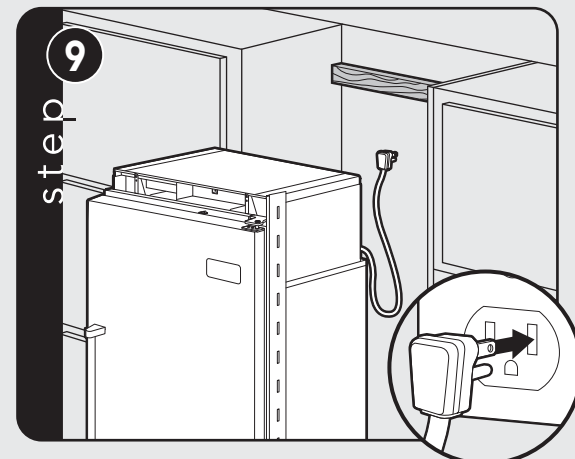
Replace unit top. Replace four side screws.



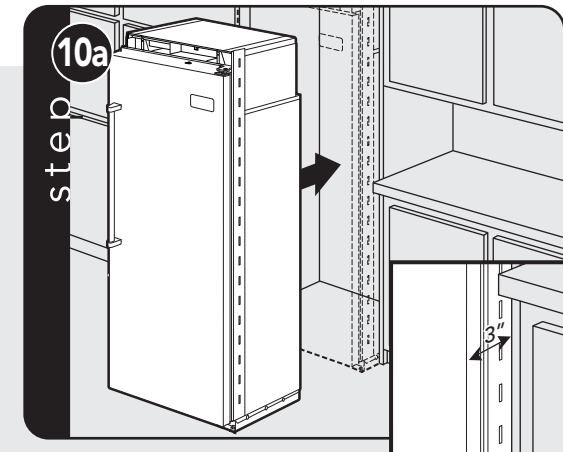
Attach one 2x4 to wall stud (refer to dimensions page for exact location).



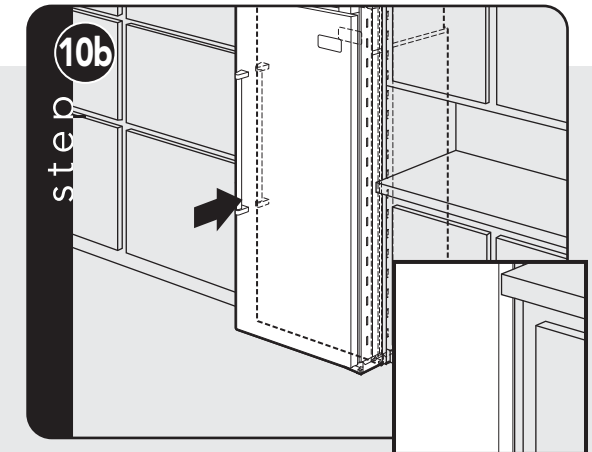
If needed, depending on cabinet and depth, attach second 2x4 to first 2x4.



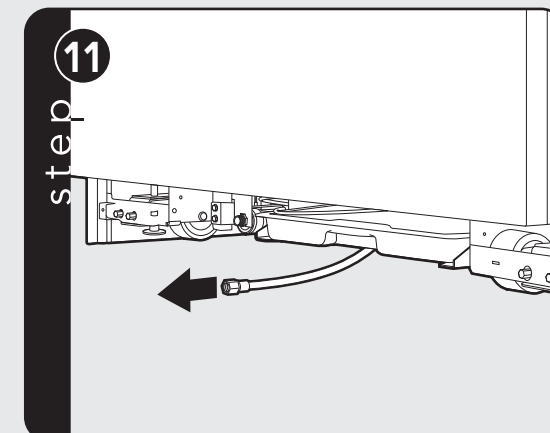
Plug in power cord to verify operation. **Note:** Make sure power switch and showroom switch are in the "On" Position.



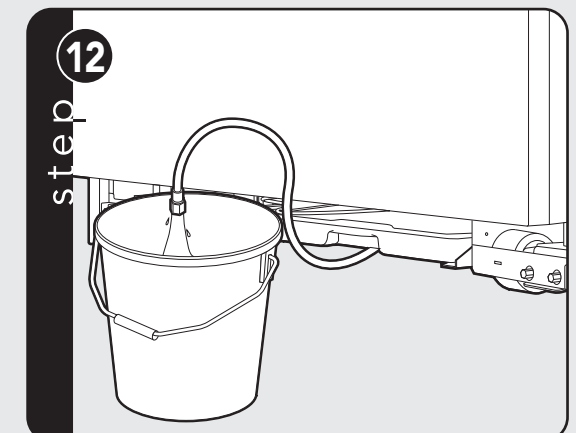
Place unit within 3" of being flush with cabinets. **Note:** To avoid cabinet damage, place cardboard between cabinets and unit. When moving unit, do not crimp, kink or crush water supply line.



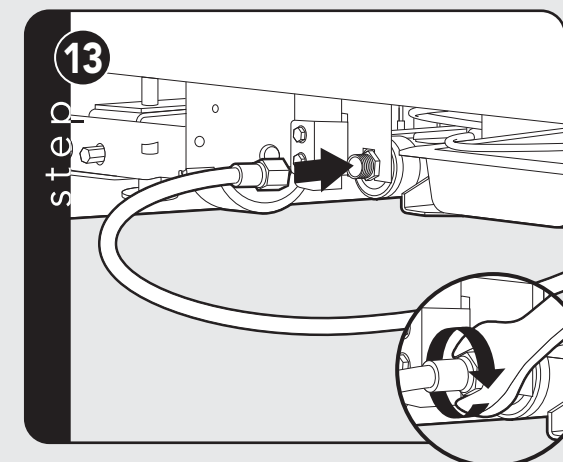
Carefully move unit until semi flush with cabinet (depending on unit).



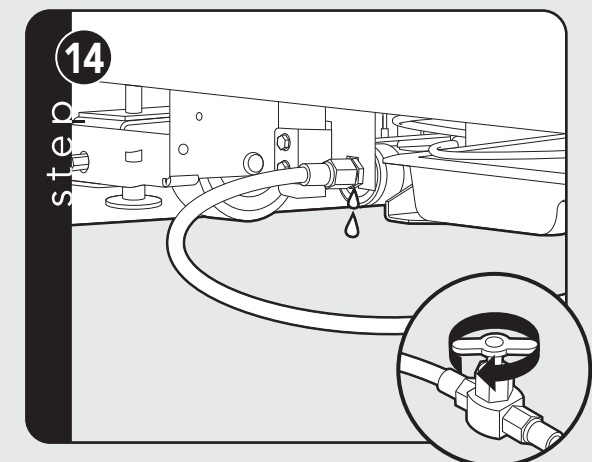
Pull supply tubing forward under unit. **Note:** DO NOT use plastic water lines.



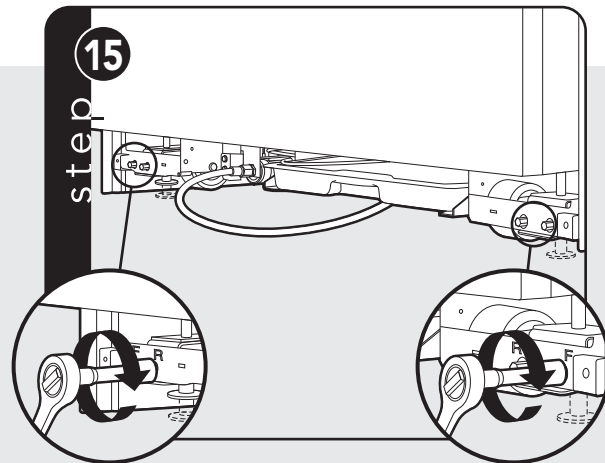
Flush water line by running two quarts of water into a bucket. Turn water off.



Connect supply tube to water valve using a 1/2" wrench. **Note:** DO NOT overtighten.

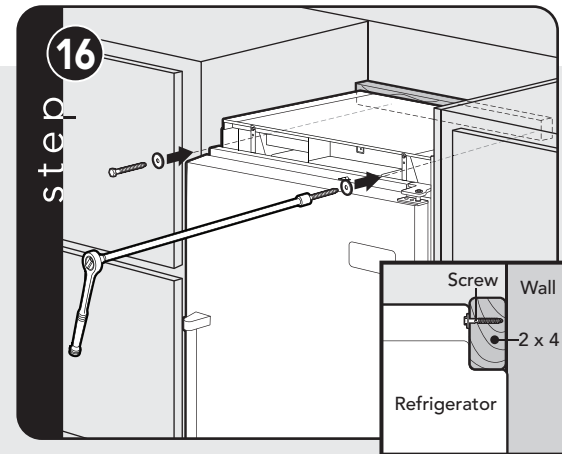


Turn on water supply and check for leaks.

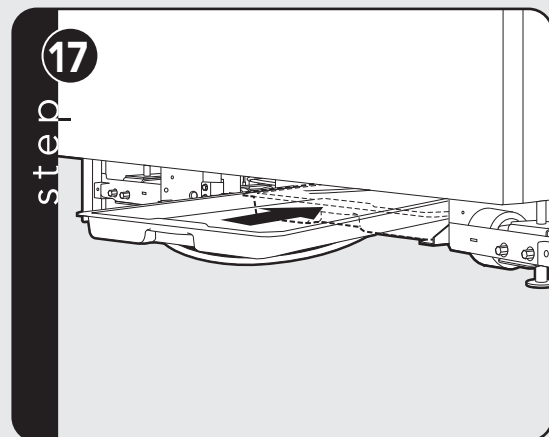


Lift unit off rollers to desired height and level unit using a 5/16" head wrench.

Note: DO NOT use an electric device. Overtightening can cause damage.

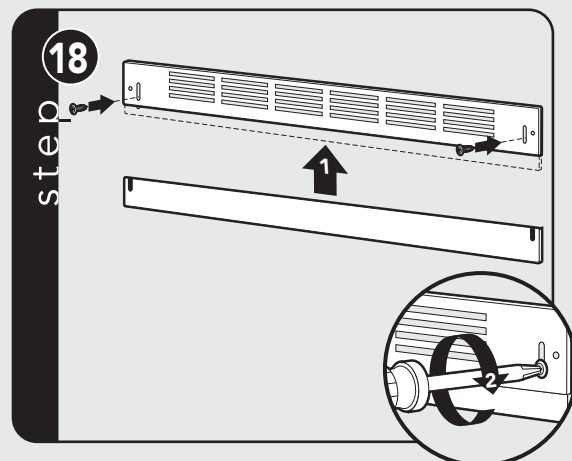


Attach positive secure self-tapping bolts to 2x4 using a 22" extension.

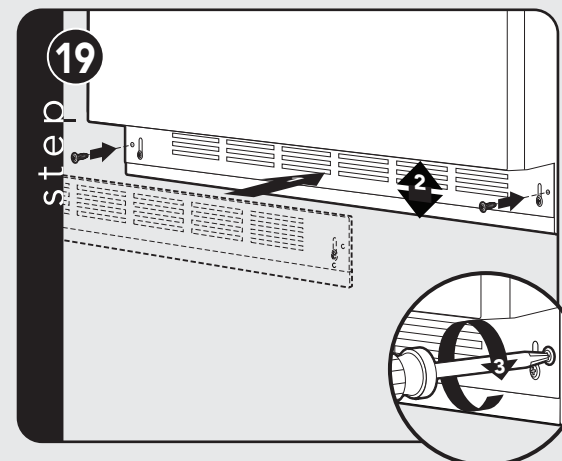


Verify that drain pan is installed and aligned.

Kickplate Installation

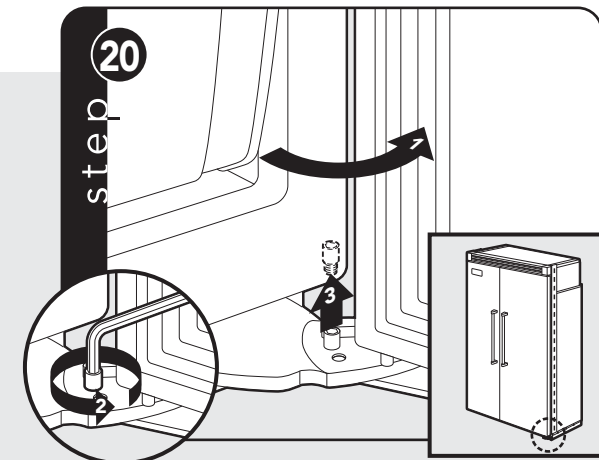


Align holes on both ends of louvered panels and insert screws.



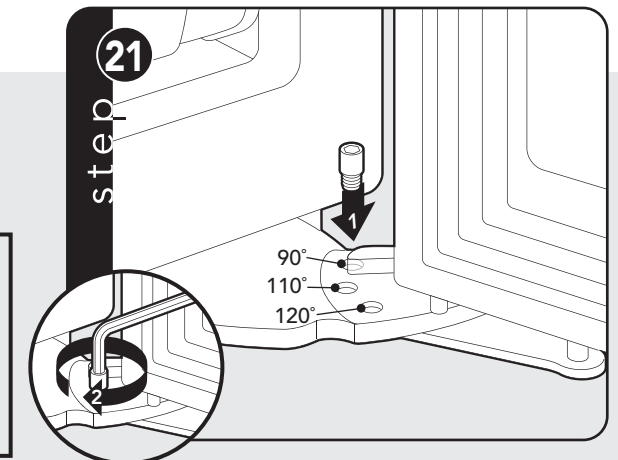
Using a Phillips screwdriver, attach the kickplate to the unit and adjust to desired height.

Door Stop Adjustment (Side-by-Side)



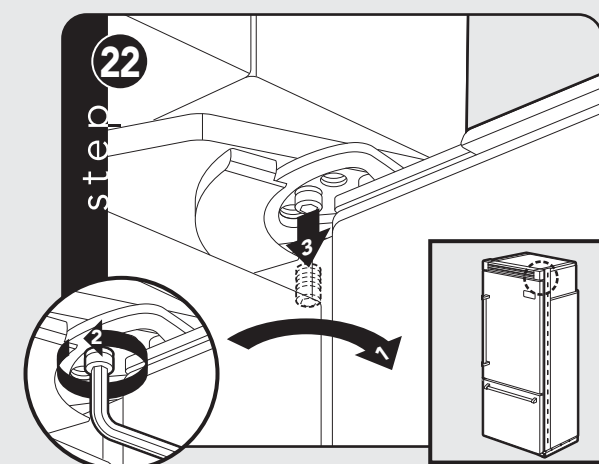
Open refrigerator door so door stop and shoulder screw are accessible.

Note: Shoulder screw should be in 110° door opening position.



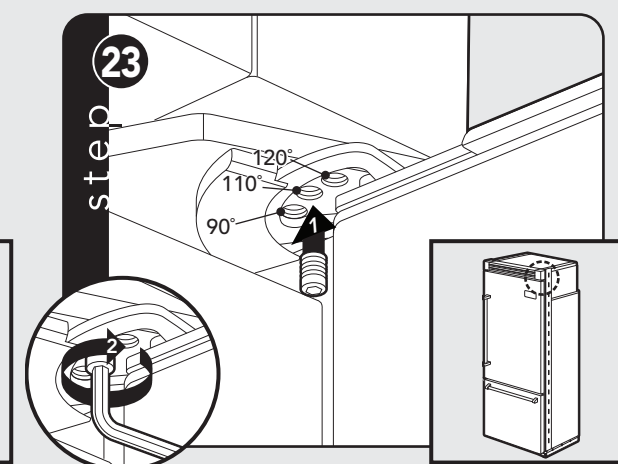
Remove shoulder screw and place in 90° or 120° position.

Door Stop Adjustment (Bottom Mount)



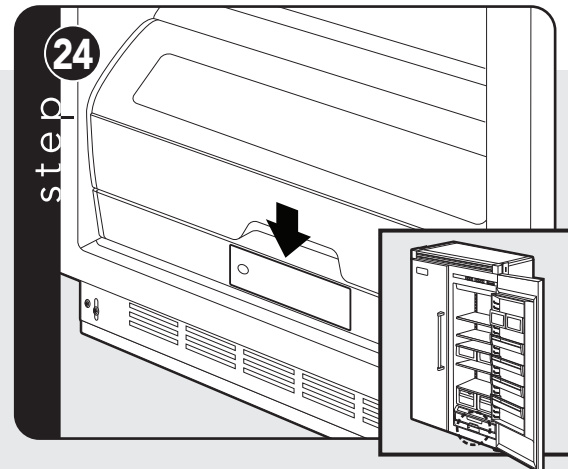
Open refrigerator door so door stop and shoulder screw are accessible.

Note: Shoulder screw should be in 110° door opening position.

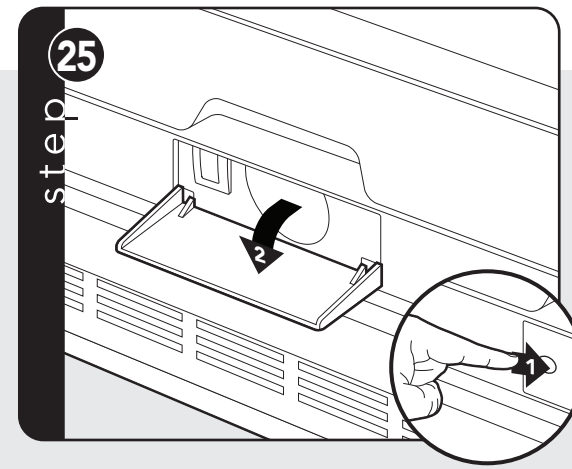


Remove shoulder screw and place in 90° or 120° position.

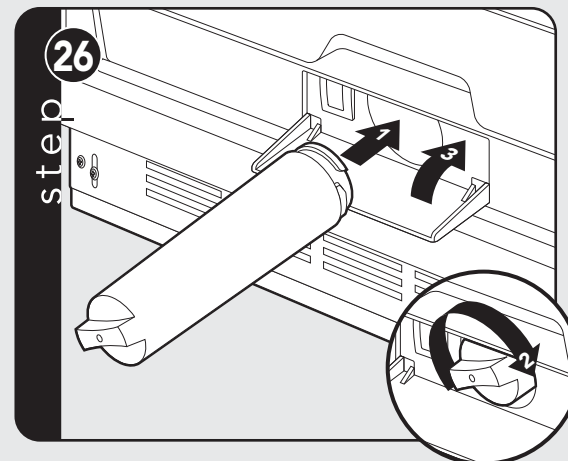
Water Filter Installation (Side-by-Side with Dispenser)



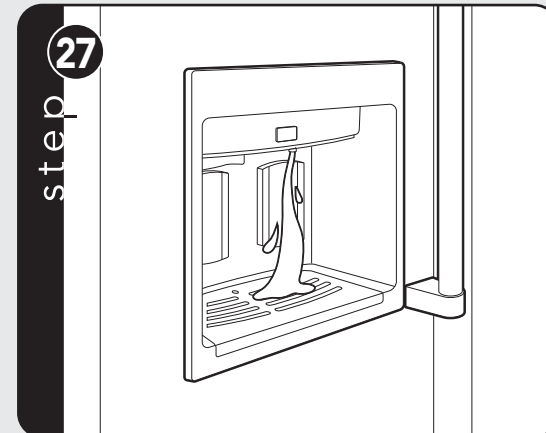
Locate water filter door. The door is located under the Meat Savor™/Produce drawer handle.



Push upper left corner of door to release latch and pull door downward.



Insert filter cartridge into circular opening in filter housing. Rotate clockwise gently until filter stops. Close water filter door.



Note: Allow 1-2 minute delay in water dispersal to allow internal water tank to fill. Flush air from the system by running water through the dispenser continuously for 3 minutes.

Water Filter System Specification and Performance Data Sheet

This system has been tested according to NSF/ANSI 42/53 for reduction of the substances listed below. The concentration of the indicated substances in water entering the system was reduced to a concentration of less than or equal to the permissible limit for water leaving the system, as specified in NSF/ANSI 42/53.* (100% safety factors built-in for unmetered usage for health claims only.)

Standard No. 42: Aesthetic Effects								
Parameter	USEPA McL	Influent Average	Influent Challenge Concentrations	Effluent		%Reduction		Min. Req. Reduction
				Average	Maximum	Average	Minimum	
Chlorine	—	1.88 mg/L	2.0 mg/L ± 10%	<0.05mg/L	0.06 mg/L	>97.26%	96.84%	≥ 50%
T&O	—	—	—	—	—	—	—	—
Particulates**		5,700,000 #/mL	at least 10,000 particles/mL	29.83#/mL	140 #/mL	99.98%	99.91%	≥ 85%

Standard No. 53: Health Effects								
Parameter	USEPA McL	Influent Average	Influent Challenge Concentrations	Effluent		%Reduction		Min. Req. Reduction
				Average	Maximum	Average	Minimum	
Turbidity	1 NTU***	10.73 NTU***	11 ± 1 NTU	0.36 NTU	.049 NTU	97.09%	95.20%	0.5 NTU
Cysts	99.95% Reduction	200,000 #/L	min. 50,000/L	<1	<1	>99.99%	>99.99%	>99.95%
Asbestos	99% Reduction	155 MF/L	10 ⁷ & 10 ⁸ fibers/L fibers>10micrometers	<1	<1	>99.99%	>99.99%	99%
Lead at pH 6.5	0.015 mg/L	0.153 mg/L	0.15mg/L ± 10%	<.001	<.001	>99.35%	>99.35%	0.010 mg/L
Lead at pH 8.5	0.015 mg/L	0.150 mg/L	0.15mg/L ± 10%	<.001	<.001	>99.35%	97.35%	0.010 mg/L
Mercury at pH 6.5	0.002 mg/L	0.006 mg/L	.006mg/L ± -10%	0.00026	0.0005	98.72%	90.91%	0.002mg/L
Mercury at pH 8.5	0.002mg/L	0.006 mg/L	.006mg/L ± -10%	0.0008	0.0015	98.72%	75.93%	0.002mg/L
Lindane	0.0002 mg/L	0.002 mg/L	.002mg/L ± 10%	0.000025	0.00007	98.72%	96.50%	0.0002mg/L
Atrazine	0.003 mg/L	0.00873 mg/L	.009mg/L ± 10%	<.002 mg/L	<.002 mg/L	76.99%	75.31%	0.003 mg/L
Toxaphene	0.003 mg/L	0.015 mg/L	.015mg/L ± 10%	<0.001	<0.001	92.97%	91.67%	0.003mg/L

*Tested using a flow rate of 0.5 gpm; pressure of 60 psig; pH of 7.5 ± 0.5; temp of 68° ± 5°F (20° ± 3°C)

**Measurement in particles/mL. Particles used were 0.5 - 1 microns

***NTU = Nephelometric Turbidity units

Operating Specifications

Capacity:	Certified for up to 750 gallons (2,838 L); up to nine months
Pressure Requirement:	20 - 120 psi (2.8 - 8.2 bar)
Temperature:	33-100°F (0.6 - 38°C)
Flow rate:	0.78 gpm (2.9 l/min.)

Check for compliance with the state and local laws and regulations.

Note: While the testing was performed under standard laboratory conditions, actual performance may vary.

Must be installed and operated in accordance with manufacturer's recommended procedures and guidelines.

Installation instructions, parts and service availability, and standard warranty are included with the product when shipped. This drinking water system must be maintained according to manufacturer's instruction, including replacement of filter cartridges.

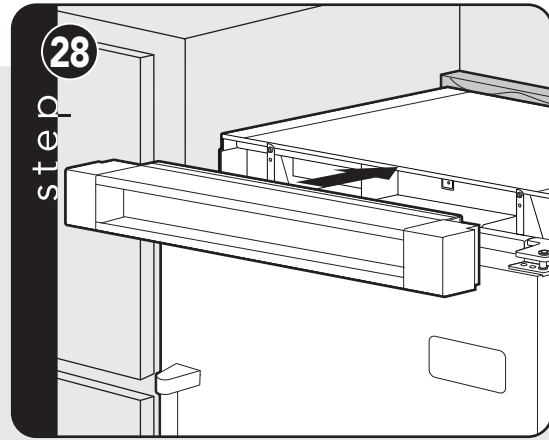
Manufactured by: Cuno, a 3M company
1000 Apollo Road
Eagan, MN 55121
(651) 450-4913



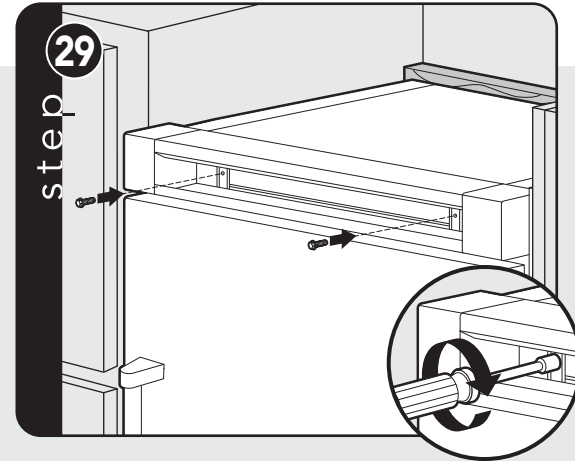
System tested and certified by NSF International against Standard 42 for the reduction of chlorine taste and odor, particulate Class I and Standard 53 for the reduction of Lead, Lindane, Atrazine, Mercury, Toxaphene, Cyst, Turbidity, and Asbestos.



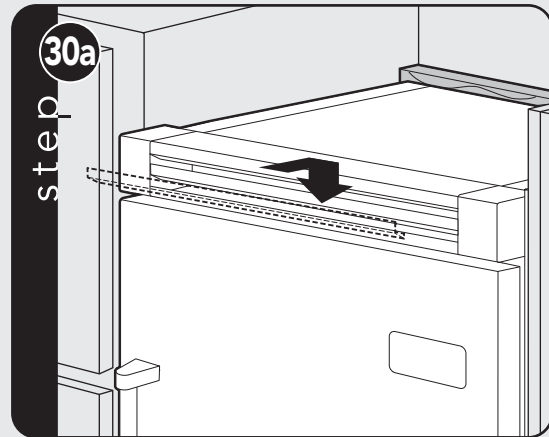
Final Installation



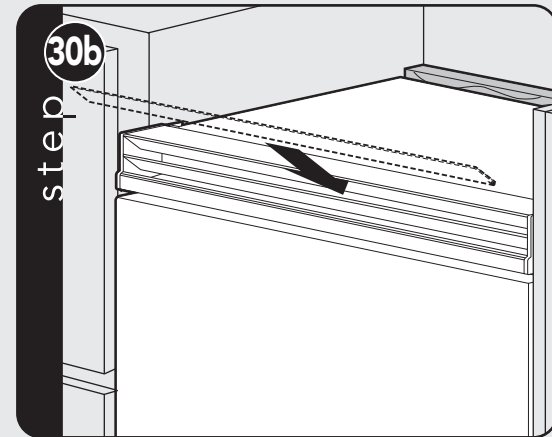
Replace top air grille.



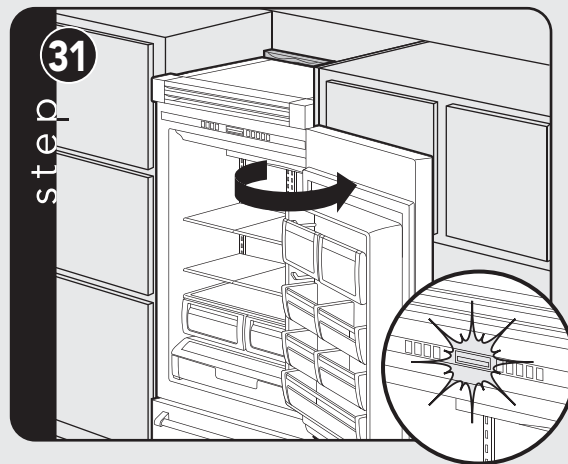
Using an 8" magnetic nut driver, replace the two 1/4" screws.



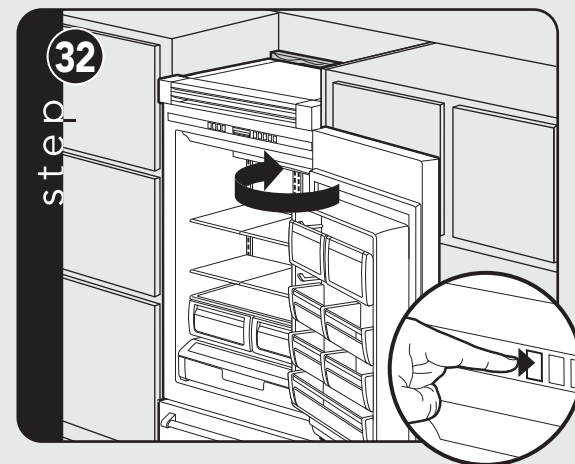
(Professional) Replace the center grille louver.



(Designer) Replace the center grille louver.



Open door. The display should flash.



Press "DISPLAY ON" or "ACTIVATE CONTROLS" pad and close door.
Note: There is a 6 minute delay before the unit starts.

Performance Checklist



- Verify cabinet size.
- Verify electrical supply and water supply (if applicable).
- Install anti-tip device(s) and verify unit is secure.
- Position unit in cutout, level at desired height and secure unit.
- Plug-in unit and verify operation.
- Connect water supply (if applicable).
 - Verify icemaker fill tube is properly inserted.
 - Verify icemaker bail arm is down.
 - Verify dispenser operation (if applicable).

- Align/square door(s).
- Verify drain pan is properly installed and there are no leaks on water connection.
- Install kickplate.
- Remove internal packaging and labels and wipe unit down.

Installer's information:

Installer's Name: _____

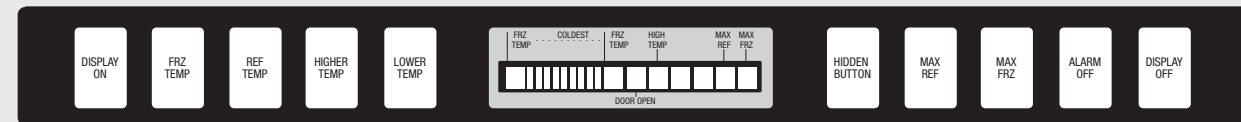
Installer's Company: _____

Date: _____

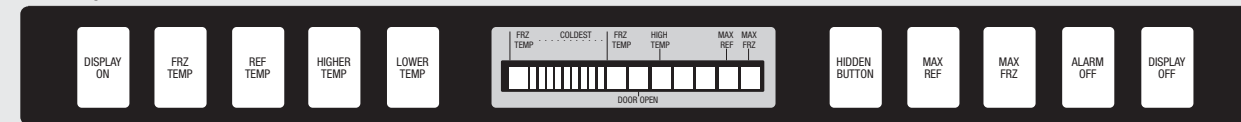
Verify Operations

Control Panels

Bottom Mount



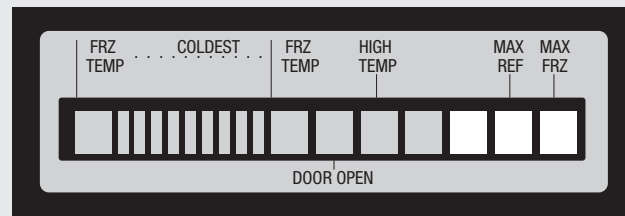
Side by Side



1. Press "Display On" or "Activate Controls" pad
2. Verify unit is not in Sabbath Mode

If in Sabbath Mode:

- A. The Sabbath Mode will disable the interior lights, display (except 3 blue squares) and alarm. (See picture below for visual indication of Sabbath Mode)

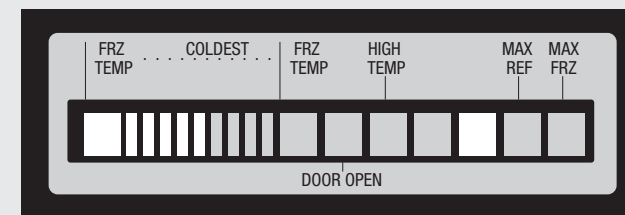


To exit the Sabbath Mode:

- B. Press & Hold "Display On" or "Activate Controls" and then "Display Off" for 3 seconds. (The control will beep 3 times to alert the user the Sabbath Mode has been exited)
3. Verify unit is not in Showroom Mode

If in Showroom Mode:

- A. The Showroom Mode will disable the refrigerator system but all other functions are normal. These include lights and control. (See picture below for visual indication of Showroom Mode)



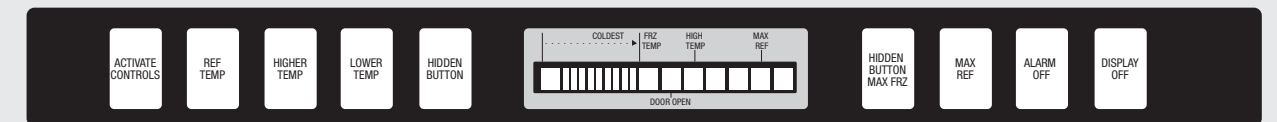
To exit Showroom Mode:

- B. Press & Hold "Display On" or "Activate Controls"; while holding, press and hold "Higher Temp" and "Alarm Off" together. (The control will beep 3 times to alert the user that Showroom Mode has been exited)
4. Press "Max Frz" & "Display Off" at the same time and hold until beeps (force start compressor).
 5. All models need to be set at the 5th bar for Refrigerator & Freezer - factory setting.

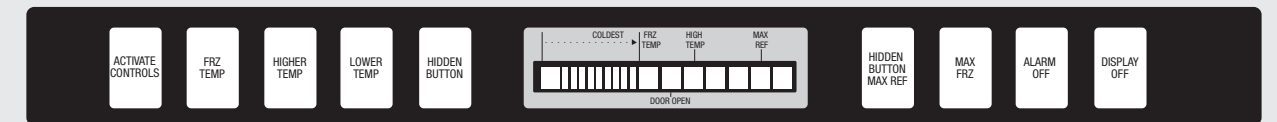
Verify Operations

Control Panels

All Refrigerator



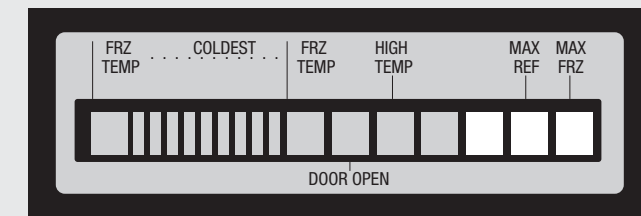
All Freezer



1. Press "Display On" or "Activate Controls" pad
2. Verify unit is not in Sabbath Mode

If in Sabbath Mode:

- A. The Sabbath Mode will disable the interior lights, display (except 3 blue squares) and alarm. (See picture below for visual indication of Sabbath Mode)

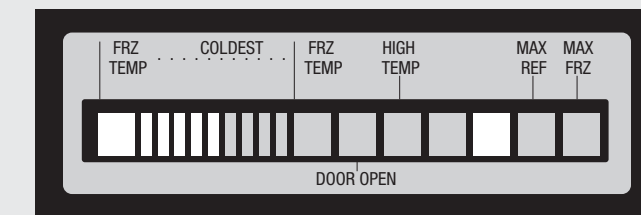


To exit the Sabbath Mode:

- B. Press & Hold "Display On" or "Activate Controls" and then "Display Off" for 3 seconds. (The control will beep 3 times to alert the user the Sabbath Mode has been exited)
3. Verify unit is not in Showroom Mode

If in Showroom Mode:

- A. The Showroom Mode will disable the refrigerator system but all other functions are normal. These include lights and control. (See picture below for visual indication of Showroom Mode)



To exit Showroom Mode:

- B. Press & Hold "Display On" or "Activate Controls"; while holding, press and hold "Higher Temp" and "Alarm Off" together. (The control will beep 3 times to alert the user that Showroom Mode has been exited)
4. Press "Max Frz" & "Display Off" at the same time and hold until beeps (force start compressor).
 5. All models need to be set at the 5th bar for Refrigerator & Freezer - factory setting.

Service & Registration

Service & Parts

Only authorized replacement parts may be used in performing service on the appliance. Do not repair or replace any part of the appliance unless specifically recommended in the manual. All other servicing should be referred to a qualified technician.

Record the following information indicated below. You will need it if service is ever required. The serial number and model number for your appliance are located on the identification plate mounted behind the top light.

Model Number

Serial Number

Date of Purchase

Date Installed

Dealer's Name

Address
