



KITCHEN CLEANUP Built-In 24"W. Dishwasher 450E



Standard Features & Accessories

All models include:

- **Exclusive** Vari-Pressure Intelli-Wash™ System
 - **Exclusive** variable speed 1/2 horsepower commercial-type motor
 - **Exclusive** multi-level washing with two stainless steel wash arms
 - **Exclusive** Block-proof Flexible-Fluid™ coupling direct water feed
- **Exclusive** Central Intelligence™ System
 - Constant communication
 - Measures water temperature and water volume
- **Exclusive** Five-Stage Filtration and Waste Removal System
 - Removable coarse strainer
 - **Exclusive** Triple-Clean™ filtration with self-cleaning jets
 - **Exclusive** ultra hard food waste disposer/motor/pump
- **Exclusive** Sure-Temp™ Water Heating
 - 1400 watt HydroFlo™ water heater
 - Operable with "cold" ground water
- **Air-Flo™** Gentle Drying
 - Gentle, effective and safe heated fan-driven system
 - Fan circulates gentle air over, under and around dishes
- **Quiet Clean™** Performance Package
 - Separate motor/pump assemblies for washing and draining
 - Multi-stage sound absorbing/heat retaining insulation
 - Blue LED power-on light in kickplate indicates cycle is operating
- "Load-As-You-Like" Sturdi-Bilt™ Racks
 - Accommodates 15 international place settings
 - Fully extendable nylon coated racks
 - Two-Piece silverware/cutlery basket
 - Lower rack has 4 rows of 3 position one-piece fold-down tines
- **Exclusive** Diamond-Brite™ stainless steel tank and inner door
- Cycles – Pots/Pans, Normal Wash, Econo Wash, Light/China, Rinse/Hold
- Options – Econo Dry, Hi Temp Wash, Top Wash Only, Delay Start (up to 10 hours)
- Energy Star Qualified
- CEE Tier I Super Efficient

Model Options



**VDB450E
Professional
Built-In Dishwasher**

- Finish details for VDB model
- Stainless Steel (SS)



**DFB450E
Custom Front
Built-In Dishwasher**

- Finish details for DFB model
- Handles not included—opt for custom handles or purchase a Viking Professional or Designer handle kit (see **Installation Notes & Accessories**)
 - Door panel not included.*
 - See **Custom Panels** section for more information and additional specifications.

ORDERING INSTRUCTIONS

*Door panel not included. Must order either a Professional w/o louvers (PDDP24), Professional w/louvers (PDDPL24), or Designer (DDDP241) door panel if a custom panel will not be used. Specify color code at end (PDDP24SS). If ordering optional brass accent, specify code at end (PDDP24SSBR). If ordering a custom model (to be fit with a custom panel or with a color panel), use no color or accent code (DFB450E).





VIKING
designer

KITCHEN CLEANUP Built-In 24"W. Dishwasher 450E



★ Please see Installation Notes & Accessories for important installation information, including panel and handle kits.

Dimensions & Specifications

PRODUCT DIMENSIONS

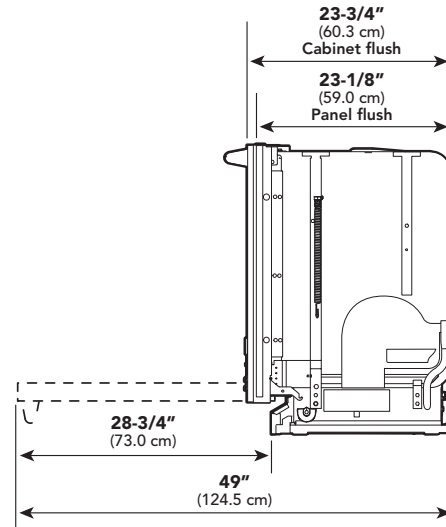
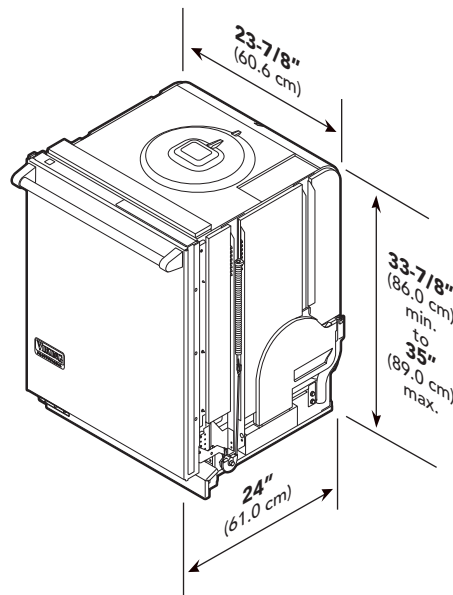


VDB450E
Professional
Built-In Dishwasher



DFB450E
Custom Front
Built-In Dishwasher

See Custom Panels section for more information and additional specifications.



Note: If the dishwasher is installed in a corner, there must be a minimum clearance of 2" (5.1 cm) from the side wall so the door can open.

All models

Overall width	23-7/8" (60.6 cm)
Overall height (from floor)	33-7/8" (86.0 cm) min. to 35" (89.0 cm) max.
Overall depth (from rear)	
To edge of side (includes door panel)	24" (61.0 cm)—includes door panel
With door open	49" (124.5 cm)

Note: This unit is NOT designed to be installed without trim. All dimensions include trim.





UTILITY REQUIREMENTS



GAS
Not applicable



ELECTRICAL

- 3'9" (1.1 m), electrical cord with 90 degree 3-prong plug
- 120V/60 Hz
- Maximum amp usage—15.0 amps
- Water-heating element rating—1,200 watts



PLUMBING

- 120°F (49°C) hot water recommended; dishwasher will, however, perform properly with cold water*
- Inlet water pressure operating range—10 – 125 psi (0.69 – 8.62 bar)
- Five foot (1.5 m) braided stainless steel water line with 3/8" (0.95 cm) compression fitting supplied with dishwasher
- Seven-foot (2.13 m) 1/2" (1.3 cm) ID "crimp-proof" flexible drain hose with clamp attached to dishwasher; connections provided for 5/8" (1.5 cm), 3/4" (1.9 cm), or 1" (2.5 cm) cut as required
- High loop of drain hose required; min. height from floor—20" (50.8 cm)
- Check local codes for drain air gap requirement

*Cycle times will be extended

Installation Requirements

ACCESS REQUIREMENTS

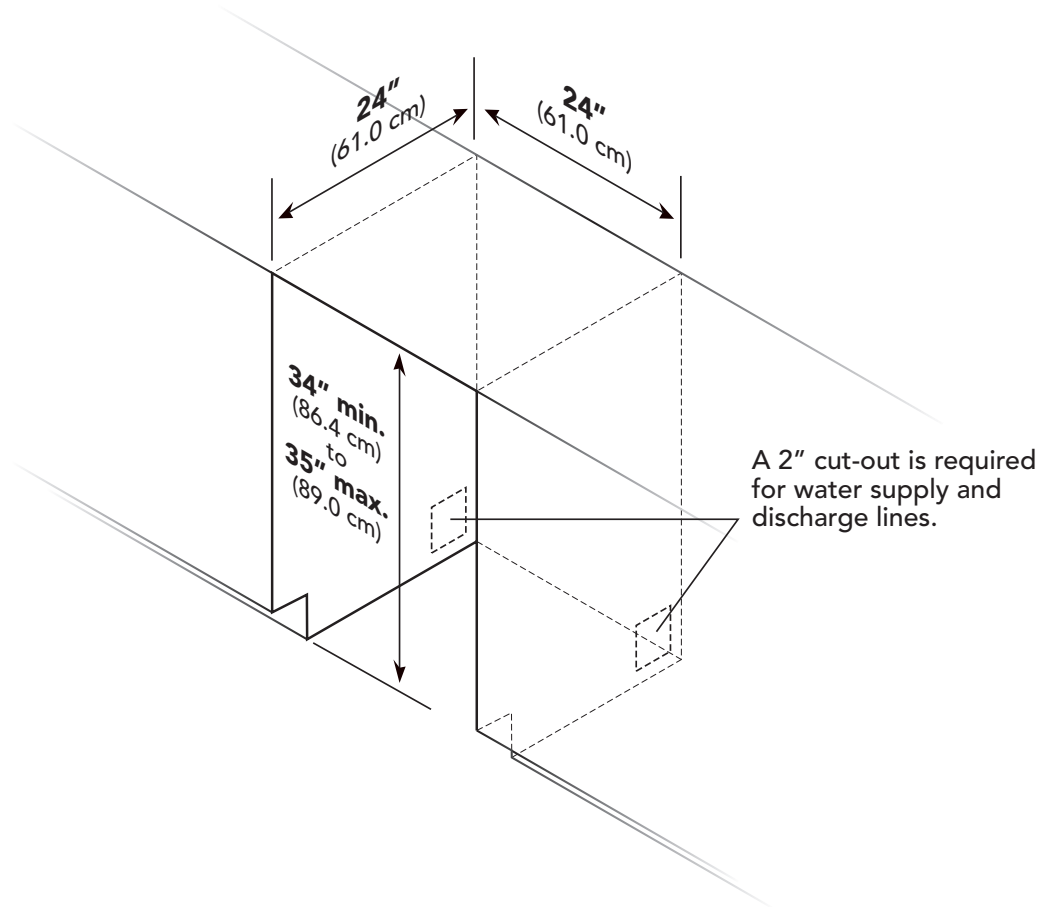


VDB450E
Professional
Built-In Dishwasher



DFB450E
Custom Front
Built-In Dishwasher

See **Custom Panels** section for more information and additional specifications.



All models	
Cutout width	24" (61.0 cm)
Cutout height	34" (86.4 cm) min. to 35" (89.0 cm) max.
Cutout depth	24" (61.0 cm)



KITCHEN CLEANUP Built-In 24"W. Dishwasher 450E



★ Installation Notes & Accessories

Door Panel Kits

- For use with DFB450E custom front dishwasher
- Kit includes one panel and installation hardware
- Add **BR** to end of model number for brass trim accent (Professional only)

Model	Description	Approx. ship wt. lbs. (kg)
PDDP24-SS	Professional door panel – no louvers (Stainless Steel)	14 (6.3)
PDDP24-BK	Professional door panel – no louvers (Black)	14 (6.3)
PDDP24-WH	Professional door panel – no louvers (White)	14 (6.3)
PDDP24-MS	Professional door panel – no louvers (Metallic Silver)	14 (6.3)
PDDP24-GG	Professional door panel – no louvers (Graphite Gray)	14 (6.3)
PDDP24-SG	Professional door panel – no louvers (Stone Gray)	14 (6.3)
PDDP24-TP	Professional door panel – no louvers (Taupe)	14 (6.3)
PDDP24-BT	Professional door panel – no louvers (Biscuit)	14 (6.3)
PDDP24-CW	Professional door panel – no louvers (Cotton White)	14 (6.3)
PDDP24-OG	Professional door panel – no louvers (Oyster Gray)	14 (6.3)
PDDP24-GM	Professional door panel – no louvers (Golden Mist)	14 (6.3)
PDDP24-LE	Professional door panel – no louvers (Lemonade)	14 (6.3)
PDDP24-SA	Professional door panel – no louvers (Sage)	14 (6.3)
PDDP24-MJ	Professional door panel – no louvers (Mint Julep)	14 (6.3)
PDDP24-SE	Professional door panel – no louvers (Sea Glass)	14 (6.3)
PDDP24-IB	Professional door panel – no louvers (Iridescent Blue)	14 (6.3)
PDDP24-VB	Professional door panel – no louvers (Viking Blue)	14 (6.3)
PDDP24-PM	Professional door panel – no louvers (Pumpkin)	14 (6.3)
PDDP24-RR	Professional door panel – no louvers (Racing Red)	14 (6.3)
PDDP24-AR	Professional door panel – no louvers (Apple Red)	14 (6.3)
PDDP24-BU	Professional door panel – no louvers (Burgundy)	14 (6.3)
PDDP24-PL	Professional door panel – no louvers (Plum)	14 (6.3)
PDDP24-CH	Professional door panel – no louvers (Chocolate)	14 (6.3)
PDDP24-CB	Professional door panel – no louvers (Cobalt Blue)	14 (6.3)
PDDPL24-SS	Professional door panel – louvers (Stainless Steel)	14 (6.3)
DDDP241-SS	Designer door panel (Stainless Steel)	14 (6.3)
DDDP241-BK	Designer door panel (Black)	14 (6.3)
DDDP241-WH	Designer door panel (White)	14 (6.3)
DDDP241-MS	Designer door panel (Metallic Silver)	14 (6.3)
DDDP241-GG	Designer door panel (Graphite Gray)	14 (6.3)
DDDP241-SG	Designer door panel (Stone Gray)	14 (6.3)
DDDP241-TP	Designer door panel (Taupe)	14 (6.3)
DDDP241-BT	Designer door panel (Biscuit)	14 (6.3)
DDDP241-CW	Designer door panel (Cotton White)	14 (6.3)
DDDP241-OG	Designer door panel (Oyster Gray)	14 (6.3)
DDDP241-GM	Designer door panel (Golden Mist)	14 (6.3)
DDDP241-LE	Designer door panel (Lemonade)	14 (6.3)
DDDP241-SA	Designer door panel (Sage)	14 (6.3)
DDDP241-MJ	Designer door panel (Mint Julep)	14 (6.3)
DDDP241-SE	Designer door panel (Sea Glass)	14 (6.3)
DDDP241-IB	Designer door panel (Iridescent Blue)	14 (6.3)
DDDP241-VB	Designer door panel (Viking Blue)	14 (6.3)
DDDP241-PM	Designer door panel (Pumpkin)	14 (6.3)
DDDP241-RR	Designer door panel (Racing Red)	14 (6.3)
DDDP241-AR	Designer door panel (Apple Red)	14 (6.3)
DDDP241-BU	Designer door panel (Burgundy)	14 (6.3)
DDDP241-PL	Designer door panel (Plum)	14 (6.3)
DDDP241-CH	Designer door panel (Chocolate)	14 (6.3)
DDDP241-CB	Designer door panel (Cobalt Blue)	14 (6.3)





KITCHEN CLEANUP Built-In 24"W. Dishwasher 450E



★ Installation Notes & Accessories

Handle Kits

- For use on locally supplied full overlay panels
- Includes handle and installation hardware
- Allows dishwashers with full overlay panel to coordinate with other Professional and Designer products

Model	Description	Approx. ship wt. lbs. (kg)
PHK23-SS	Professional handle (Stainless Steel)	5 (2.3)
DDHK23-SS	Designer handle (Stainless Steel)	5 (2.3)

Compliance Information



WARRANTY INFORMATION*

- One-year full warranty—all components
- Lifetime limited warranty—stainless steel tanks, inner door liner
- Five-year limited warranty—electronic control, racks, motor/pump assemblies, and water distribution system
- Ninety-day limited warranty—cosmetic parts (painted and decorative items)

*For complete warranty information info see *Use & Care Guide*. Warranty valid on Viking products shipped within the United States and Canada.

