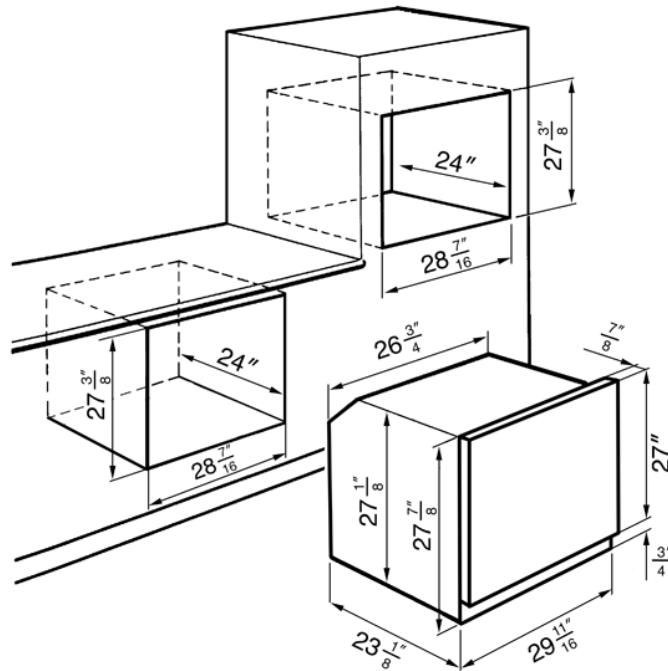


Single Oven, 76.2cm (30"),
Stainless Steel. Classic
EAN13: 8017709150242



- Finger-print proof stainless steel • Ergonomic control knobs • Touch control panel to access secondary menu • Digital display • Multifunction oven with 11 cooking modes • True European Double Convection • Fast Preheat Cycle (8 to 12 minutes) • Min temp 86F • Max temp 554F • Automated oven switch-off when door is open • Self cleaning • Sabbath mode certified • Control locks / Child Safety • 6 Racks position • 1 telescopic guide • Oven capacity: 3.58 cu.ft. • Usable oven capacity • Interior dimensions: W 24" x H 16 1/8" x 16 5/16" • Concealed bake element • Broil element 3.5Kw • Convection element with 1.3Kw per fan • Voltage rating: 240/208V – 60Hz • Connected load (nominal power): • Amps @ 240/208V: 16.9/17.5 • Power supply location: center top • **ACCESSORIES INCLUDED** • 1 Grid insert for tray • 2 Grid top • 1 Telescopic Guide • 1 Enamelled Tray • 1 Meat probe

Functions

