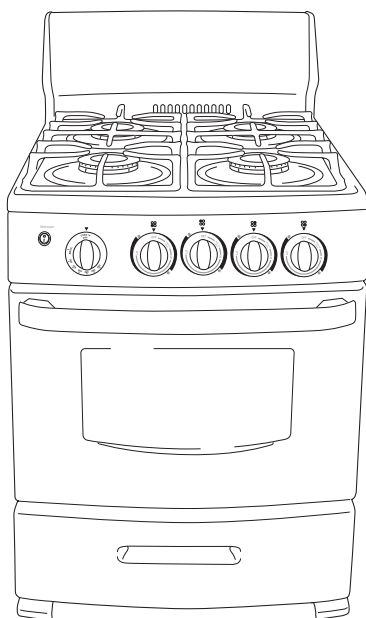




Owner's Use and Care Guide
 Guide d'utiliser et soin de propriétaire
 Guía para utilizar y cuidar de a propietario

Model • Modèle • Modelo
 DR2009WGLP



CAUTION:
 Read and follow
 all safety rules and
 operating
 instructions before
 first use of this
 product.

MISE EN GARDE:
 Veuillez lire
 attentivement les
 consignes de
 sécurité et les
 instructions
 d'utilisation avant
 l'utilisation initiale de
 ce produit.

EI CUIDADO:
 Lea y siga todas
 reglas de seguridad
 e instrucciones
 operadoras antes de
 primero uso de este
 producto.

GAS RANGE

Important Safety Information 2
 Installation Instructions 5
 Operating Instructions 6
 Care and Cleaning 8
 Troubleshooting 10
 Warranty 11

CUISINIÈRE DE GAZ

Consignes de Sécurité Importantes 13
 Instructions d'installation 16
 Consignes d'utilisation 17
 Soins et Entretien 19
 Dépannage 21
 Garantie 22

COCINA DE GAS

Información Importantes de Seguridad 24
 Instrucciones de Instalación 27
 Instrucciones Operadoras 28
 Cuidados y Limpieza 30
 Antes de Llamar al Servicio Técnico 32
 Garantía 33

WELCOME

Thank you for choosing a Danby Gas Range. Record in the space provided below the Model Number and Serial Number of this appliance. These numbers are found on the serial plate located below the lift-up cooktop.

Model No.: _____ Type No.: _____

Serial No.: _____ Purchase Date: _____

Record these numbers for future use.

IMPORTANT: Keep a copy of your bill of sale. The date on the bill establishes the warranty period, should service be required. If service is performed, it is in your best interest to obtain and keep all receipts.

PLEASE DO THIS NOW:

The PRODUCT REGISTRATION CARD should be filled in completely, signed, and returned. This information will register your product and help us to serve you quickly in the future if necessary.



WARNING: If the information in this manual is not followed, a fire or explosion may occur, resulting in property damage, personal injury, or death.

IMPORTANT SAFETY INFORMATION

Do not store or use gasoline or other flammable vapors and liquids in the vicinity of this, or any other appliance.

WHAT TO DO IF YOU SMELL GAS:

- Do not try to light any appliance.
- Do not touch any electrical switch; do not use any phone in your building.
- Immediately call your gas supplier from a neighbouring building. Follow the gas supplier's instructions.
- If you cannot reach your gas supplier, call the fire department.


Installation and servicing must be performed by a qualified installer, service agent, or gas supplier.

BEFORE FIRST USE

- Remove all tape and packaging wrap before using the oven. If any glue remains, touch the residue with the sticky side of the packaging tape, or use a cloth soaked with rubbing alcohol. Use caution as rubbing alcohol is flammable. Rinse with warm water and wipe dry.
 - Destroy the carton and plastic bags after the range is unpacked. Children should not use packaging material for play. Cartons covered with rugs, bedspreads, or plastic sheets can become air-tight chambers. Remove all staples from the carton. Staples can cause severe cuts and destroy finishes if they come in contact with appliances or furniture.
 - Be safety conscious. The preparation of food in an oven requires temperatures that could cause severe burns. Before using this, or any new appliance, carefully read and follow all instructions.
-

PROPER INSTALLATION

- Be sure your appliance is properly installed and grounded by a qualified technician in accordance with the National Fuel Gas Code ANSI Z223. - latest edition, or in Canada CAN/CGA B149.1, and CAN/CGA B149.2, and the National Electrical Code ANSI/NFPA No.70-latest edition, or in Canada CSA Standard C22.1, Canadian Electrical Code, Part 1, and local code requirements. Install only per installation instructions provided in this Owner's Use and Care Guide. Be sure leveling legs are in place at the bottom corners of the range. If necessary, raise or lower the leveling legs at the base of the range by turning clockwise or counterclockwise to ensure a level range.
- Ask your dealer to recommend a qualified technician or an authorized repair service. Have the technician familiarize you with the locations of the manual gas shut off valve or gas meter, in the event it is necessary to shut off gas supply to the unit during an emergency.

 **WARNING: Failure to act in accordance with instructions regarding the following situations may result in property damage, bodily harm, or death.**

- TO REDUCE THE RISK OF TIPPING THE RANGE, IT MUST BE SECURED BY A PROPERLY INSTALLED ANTI-TIP BRACKET PROVIDED WITH THE RANGE. TO CHECK IF THE DEVICE IS INSTALLED AND ENGAGED PROPERLY, CAREFULLY TIP THE RANGE FORWARD. THE ANTI-TIP DEVICE SHOULD ENGAGE AND PREVENT THE RANGE FROM TIPPING OVER. REFER TO THE INSTALLATION INSTRUCTIONS SECTION FOR PROPER ANTI-TIP BRACKET INSTALLATION.
- Never leave children alone or unattended in the area where an appliance is in use. Children should never be allowed to sit or stand on any part of this appliance. Never leave the oven door open when the range is unattended.
- Do not store items of interest to children in the cabinets above a range or on the backguard of a range. Children climbing on the range to reach items could be seriously injured.

IMPORTANT SAFETY INFORMATION (cont'd)

- Do not allow children to climb or play around the range. The weight of a child on an open oven door may cause the range to tip, resulting in serious burns or other injury.
 - **USER SERVICING:** Do not repair or replace any part of the appliance unless specifically recommended in this owner's guide. All other servicing should be done only by a qualified technician. This will reduce the risk of personal injury and damage to the range.
 - Storage in or on appliance: Flammable materials should not be stored in an oven, near surface burners, or in the broiler section. This includes paper, plastic and cloth items, such as cookbooks, plasticware and towels, as well as flammable liquids.
- Do not use the oven for storage. Do not store explosives, such as aerosol cans, on or near the range.
- Remove the oven door from any unused range if it is to be stored or discarded.
 - Stepping, leaning, or sitting on the doors or broiler section of this range can result in serious injuries and can cause damage to the range.



WARNING: The following situations could result in property damage or bodily harm

IMPORTANT SAFEGUARDS

- Do not touch surface burners, areas near the burners, oven burners, or interior surfaces of the oven. Both surface burners and oven burners may be hot even though the flame is not visible. Areas near surface burners may become hot enough to cause burns. During and after use, do not touch or let clothing or other flammable materials touch these areas until they have had sufficient time to cool. Among these areas are the cooktop, surfaces facing the cooktop, the oven vent openings, and surfaces near these openings, oven door and windows.
- Never use your appliance to warm or heat the room. Operating your range without utensils or pans to absorb the unit's heat risks damaging the surface, knobs, and controls.
- Wear proper apparel; loose fitting or hanging garments should never be worn while using the appliance. Do not let clothing or other flammable materials contact surface burners or interior surfaces of the oven until they have had sufficient time to cool.
- Never modify or alter the construction of the range. Do not remove leveling legs, panels, wire covers, anti-tip brackets or any other permanent part of the product.
- When heating fat or grease, watch it closely. Fat or grease may catch fire if allowed to become too hot.
- Do not use water or flour on grease fires. Smother the fire with a pan lid, baking soda, or use a dry chemical or foam-type extinguisher.
- Use only dry potholders; wet or damp potholders on hot surfaces could result in burns from steam. Do not let the potholders touch hot heating areas. Do not use a towel or other bulky cloth instead of potholder.
- Use proper flame size; Adjust flame size so it does not extend beyond the edge of the cookware. The use of undersized cookware will expose a portion of the burner flame and may result in severe burns or direct contact and ignition of clothing. Also, proper relationship of cookware to burner will improve efficiency.
- Do not use aluminum foil to line the oven bottom except as suggested in the cleaning section of this manual. Improper use of aluminum foil may result in a fire hazard. Foil may also interfere with heat circulation and damage the range.
- Placement of oven rack: Always place oven rack in the desired location while the oven is cool. If rack must be moved when the oven is hot, use potholders and grasp the rack with both hands to reposition. Do not let potholders contact hot oven walls. Remove all cookware from the rack before moving.
- Do not heat unopened food containers. Build-up of pressure may cause the container to burst and result in injury.
- Keep the oven vent duct unobstructed. The oven vent is located along the bottom of the backguard. Touching the surfaces in the vent area when the oven is being operated may cause severe burns. Also, do not place plastic or heat-sensitive items on or near the oven vents. These items could melt or ignite.
- The range requires fresh air for proper burner combustion. Do not block the flow of air around the base or beneath the lower front panel of the range.
- Use care when operating oven door; Stand to the side of the oven when opening the oven door. Slowly open the door to allow hot air or steam to escape before removing or replacing food.
- Know which knob controls each burner. Place a pan of food on the burner before turning it on, and turn the burner off before removing the pan. Always turn to the full LITE position when igniting the top burners. Then adjust the flame size so it does not extend beyond the edge of the cookware.
- Cookware handles should be turned inward and not extend over adjacent surface burners, to reduce the risk of burns, ignition of flammable materials, and spillage due to unintentional contact with the cookware.
- Never leave the surface burners unattended. Boil-over may cause smoking and greasy spills may catch fire or a pan which has boiled dry may melt.
- Do not place hands between the spring tension hinge and the oven door frame when you are removing the oven door. You could pinch your fingers.

IMPORTANT SAFETY INFORMATION (cont'd)

IMPORTANT SAFEGUARDS

- Do not use the broiler pan without its insert. The broiler pan and its insert allow dripping fat or grease to drain and be kept away from the high heat of the broiler. Do not cover the insert with foil. Exposed fat or grease could ignite.
- Allow parts to cool to room temperature before touching or removing them from the range. When a surface burner is first turned off, the burner and grate are hot enough to cause burns.
- Clean the range regularly to keep all parts free of fat or grease which could catch fire. Pay particular attention to the area underneath each surface burner. Exhaust fan ventilating hoods and grease filters should be cleaned regularly. Do not allow fat or grease to accumulate. Greasy deposits in the fan could catch fire. Refer to the hood manufacturer's instructions for cleaning.
- Glazed Cookware: Only certain types of glass, glass/ceramic, ceramic, earthenware, or other glazed cookwares are suitable for rangetop service without breaking, due to the sudden change in temperature. Check the cookware manufacturer's recommendations for rangetop use.
- Do not place plastic salt and pepper shakers, spoon holders, or plastic wrappings on top of the range. These items could melt or ignite. Potholders, towels, or wooden spoons could catch fire if placed too close to the flame.
- Do not use a wok equipped with a metal ring that extends beyond the burner. Because this ring traps heat, the burner and grate could be damaged. Also, the burner may not work properly, creating a carbon monoxide level above current health standards.
- Do not clean the oven door gasket. The door gasket is essentially for a good seal. Care should be taken not to rub, damage, or move the gasket.
- Flexible Connectors: If the gas range/oven is connected to a gas supply with a metal flexible connector, move the range/oven with CAUTION for service or cleaning. Flexible connectors are not intended for repeated bending. Do not allow cleaners to make contact with flexible connectors. The connector and its fittings are designed for use only on the original installation and are not to be reused for another appliance or at another location.
- It is good practice for each household to have an appropriate fire extinguisher for use in the event of a house fire.
- Disconnect the range from electrical supply before attempting to service or move it.

NOTE: The instructions appearing in this owner's guide are not meant to cover every possible condition and situation that may occur. Common sense and caution must be practiced when operating and maintaining any appliance.

ENERGY SAVING TIPS

Surface Cooking:

- Use lids when surface cooking. A lid traps steam and uses it to speed up the cooking process. If you have a pressure cooker or vegetable steamer, use it. You will save time and cut energy costs.
- Use medium-weight, flat bottomed pans that match the flame size. Choose pans made of metals that conduct heat well.
- When cooking on a surface burner, use as little water as possible to reduce cooking time.

Oven Cooking:

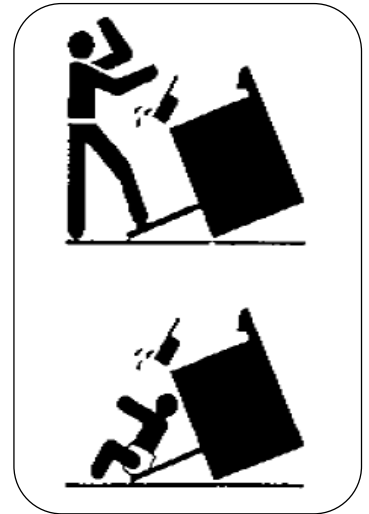
- Preheat the oven only when a recipe tells you. Put roasts and casseroles into a cold oven, then turn the oven on.
- Opening the oven door often to check on foods wastes energy.
- Use the oven to prepare complete meals. For instance, start a roast, add vegetables when the meat is half-cooked, and then warm rolls or dessert after the main dishes are cooked.
- Thaw frozen foods before cooking. Thawed food requires less cooking energy than frozen food.
- Make it a habit to turn the oven off before removing the cooked food.

INSTALLATION INSTRUCTIONS

Be sure the appliance is properly installed and grounded by a qualified technician. It is the responsibility of the technician to be certain that your range is properly installed. Situations caused by improper installation are not covered under the warranty. Any expenses incurred due to such situations will not be paid by the manufacturer of the appliance.

⚠️ WARNING: To reduce the risk of tipping the appliance by abnormal usage or improper door loading, the appliance must be secured by properly installing the anti-tip device packed with the appliance. To check if the device is installed and engaged properly, carefully tip the range forward. The anti-tip device should engage and prevent the range from tipping over.

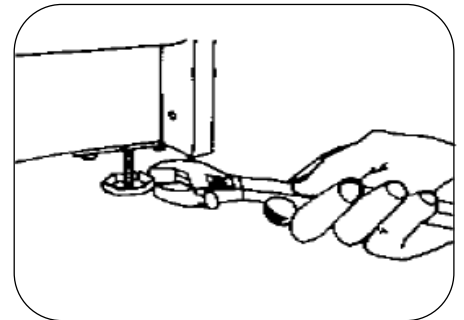
If this range is removed for any reason, service or cleaning etc., it must be replaced as outlined in the installation instructions, before placing the range back in operation.



LEVELING A FREE STANDING RANGE

All free-standing ranges must be level to obtain proper cooking results. The leveling legs should be screwed into the corner brackets. Place a level, or a pan or measuring cup partially filled with water, level on oven rack. Adjust leveling legs until the range is level. The top of the side panels should be level with countertop or work surface.

IMPORTANT: Be sure to keep the leg levelers. Leveling of the range is very important.



GAS CONNECTIONS

Have the dealer where you purchased your new range install or recommend a qualified installer. Installation must conform with local codes. The range should be connected to a supply line with 1/2-inch black iron pipe or a certified flexible type stove connector. To prevent gas leaks, put an approved sealing compound, which is resistant to liquefied gases, on all threaded connections.

IMPORTANT: Do not apply pressure directly to the range manifold pipe when tightening supply connections. The manifold pipe should be held securely at the pressure regulator to prevent twisting. Hold the pressure regulator with a wrench during the tightening of the connection, or the manifold pipe may be twisted and split, causing a dangerous leak.

Note: The installation of ranges designed for manufactured (mobile) homes must conform to specific standards and local codes. Check all piping connections in the unit for leaks. Never use an open flame to check for gas leaks. It is possible for connections made at the factory to leak due to vibrations encountered in transportation. Have any suspected leaks repaired before use by a qualified service personnel.

ELECTRICAL CONNECTIONS

Your range is grounded with a three-conductor (three-prong plug) supply cord which will ground the range when plugged into a similar grounded wall receptacle.

If the backgaurd of the range has a clock or light, connect the cord from the backgaurd into the special terminal block located at the top of the main back directly under the backgaurd supply cord. The appliance must be electrically grounded when installed in accordance with local codes.

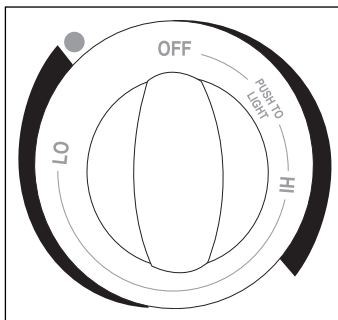
OPERATING INSTRUCTIONS

USING YOUR RANGE

Top Burner Operation:

Note- When boiling food, the highest temperature that can be reached is the boiling point. When the liquid starts to boil, decrease the size of the flame until you reach the minimum flame that will hold the boil. This will save gas. It will also decrease the possibility of burning food or boiling over, and help keep your kitchen cooler. Use stable cookware with flat bottoms, and always place the cookware on the burner grate before lighting the burner. Unstable or rounded bottom cookware will not contact properly with the grate and will affect the cooking efficiency. Select cookware large enough to avoid spillovers, but remember, over-sized cookware (diameters exceeding 8 1/2") can cause the range finish to discolor or chip. Damage caused by oversized cookware, such as those sometimes used in canning, are not covered under warranty. The finish has been manufactured to a commercially acceptable standard and its condition is dependent upon the care of the user.

FLAME SIZE	TYPE OF COOKING
High	Start most foods; bring water to a boil; pan-broiling.
Medium	Maintain a slow boil; Thicken sauces, gravies; steaming.
Low	Keep foods cooking; poach; stewing.



Turn the knob to the full LITE position when igniting the top burners. Then adjust the flame size so it does not extend beyond the edge of the cookware.

Note: Know which knob controls each burner. Place a pan of food on the burner before turning it on, and turn the burner off before removing the pan

Top Burner Valves:

The top burner flame size should be adjusted so that it does not extend beyond the edge of the cookware. As a matter of safety, it is urged that you comply with these instructions. A high flame on a surface burner is both inefficient and unsafe. The flame should always be adjusted so that it is no larger than the bottom of a pan. Fluctuations in flame size could be caused by pressure variations, improperly positioned burners, damage, or debris.

Preheating:

Heat the oven to the desired temperature before placing the food in the oven. Preheat for 10 to 12 minutes.

Opening the Oven Door:

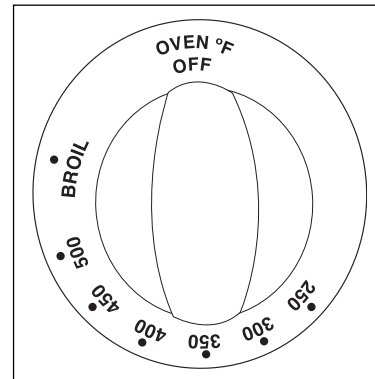
Let hot air/steam escape before removing/replacing food.

Arranging Oven Rack:

The oven rack should be arranged before the oven is turned "ON". Place the rack so the food is centered in the oven.

Temperature Selection:

It is important to select the proper temperature setting. Never set the dial to a higher degree than necessary, with the intention of lowering the setting at a later time. This will not speed up cooking. It can cause the oven to cycle slower and cause the temperature to vary so that cooking results may be unsatisfactory. Your oven has a temperature range of 250°F ~ 500°F.



Baking:

When baking, follow the recipe instructions. Use correct ingredients, measure them carefully, and use the correct type and size cookware suggested in the recipe. Remember to preheat properly. Avoid frequent opening of the oven door during preheating and baking.

When baking cakes in glass baking dishes, lower the oven temperature 25°F to prevent browning of the bottom and sides before the top becomes brown. Also, when using glass bakeware, it would be better to increase the preheat time to have exact stabilization of the oven's temperature. To do so, allow 20 minutes time for temperatures up to 350°F and 30 minutes for temperatures up to 425°F. Avoid opening the door as much as possible.

Oven Rack:

The oven rack should be arranged before the oven knob is turned to an "ON" position. Place the rack so the food is centered in the oven, not the rack. When more than one dish is used, be sure to stagger them, allowing space between each one. Do not allow the dishes to touch any part of the oven, especially the glass window.

Rack Removal:

Pull the oven rack forward and lift up on the front of the rack so it will clear the rack keeper. To replace the oven rack, guide the angled rear portion of the rack under the rack keeper and slide the rack to the rear. Never cover the oven rack with aluminum foil. Such practices will trap heat and cause intense heat in spots which usually give poor results. It can damage the porcelain finish.

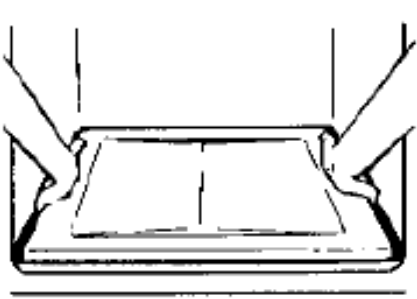
OPERATING INSTRUCTIONS (cont'd)

USING YOUR RANGE (cont'd)

Removable Oven Bottom:

First remove the racks from the oven. The oven bottom lifts from the rear. Grasp each side of the oven bottom and lift upward from the rear until the bottom is clear. Lift it to remove from the front. **NOTE:** If the oven bottom is replaced incorrectly it may warp and cause undesirable baking results.

The oven bottom has a porcelain enamel finish. To make cleaning easier, protect the oven bottom from excessive spillovers. This is particularly important when baking a fruit pie or other foods with high acid content. Hot fruit fillings or foods that are acidic in content, such as milk, tomato or sauerkraut, and sauces with vinegar or lemon juice, may cause pitting and damage to the porcelain enamel surface. To protect the oven bottom surface, place a piece of aluminum foil slightly larger than the baking dish on the rack below to catch any boilovers. It should not completely cover the rack as this would cause uneven heat in the oven. Aluminum foil should not be placed on the oven bottom. If a spillover does occur on the oven bottom, allow the oven to cool first. You can clean the bottom with soap and water, a mild abrasive cleaner, soap-filled abrasive pads, or an oven cleaner (following package directions).



Broiler Compartment:

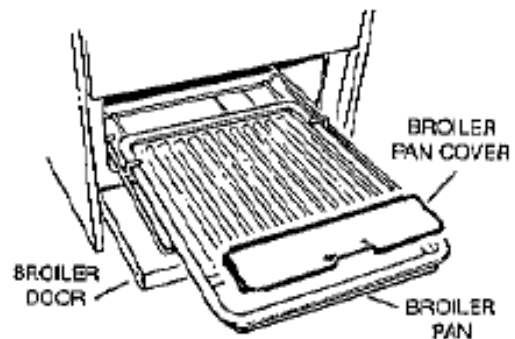
The broiler pan is held in place by a wire broiler rack. To open the broiler, gently lift up and pull forward on the drop down broiler door. Pull the broiler pan forward. It will reach a temporary stop position. Continue to pull forward and the broiler pan will pull out to expose the entire broiler grill surface. Remove the broiler pan from the broiler rack by lifting up on the front of the broiler pan so it will clear the wire rack. Then pull forward slightly and use both hands to lift the pan free of the rack. To return the pan to the broiler rack, pull the wire rack out to the stop position. Insert the pan into the recessed section of the broiler rack. Slide the pan in place under the pan retainers. Push the pan to the rear of the broiler compartment. Close the broiler door.

Economy Broiler:

Your range may be equipped with this optional broiler. The outward appearance of the range will be the same. To open the broiler door, lift handle up slightly to release the door catch and then lower the door. In the broiler section there are two positions of stamped-in oven rack guides and a broiler pan and grill. When you want to broil, take one of the oven racks and insert it into the rack guide position. Next, place the broiler pan and grill on the oven rack for broiling.

Broiling: (Broiling Pan NOT INCLUDED)

Preheat the broiler area and broil pan for a few minutes. No definite time can be given for broiling meats because of varying thickness, amounts of fat, and personal taste. Be careful when handling hot broiler pans; be careful of hot grease. Serious injury can result due to spillage of hot grease. Never leave a dirty broiler pan in place; always clean it and return it to the burner assembly. Unauthorized broil pan substitutes should never be used. Excess fat should be trimmed to reduce the possibility of flame up. The meat could be ruined or fire could occur causing loss of property and bodily injury. When broiling fatty meats, the lowest broil must be used; however, we recommend the lowest position at all times. Always broil with the oven door closed. When broiling is completed, turn the dial to OFF and remove the broil pan temporarily for cleaning. Do not use broiler area for storage of cookware.



Air Circulation in the Oven:

- To cook food evenly, hot air must be able to circulate.
- For best air circulation and baking results allow two inches of space around bake ware and be sure pans and bake ware do not touch each other, the oven door, sides or back of the oven cavity.
- The hot air must circulate around the pans and bake ware in the oven for even heat to reach around the food.

NO. OF PANS	POSITION ON RACK
1	Center of rack
2	Side by side or slightly staggered

CARE AND CLEANING

- If removing the range is necessary for cleaning or maintenance, shut off gas supply.
- Disconnect the gas and electrical supply.
- If the gas or electrical supply is inaccessible, lift the unit slightly at the front and pull out away from the wall.
- Pull only as far as necessary to disconnect the gas and electrical supply.
- Finish removing the unit for servicing and cleaning.
- Reinstall in reverse order making sure to level the range and check gas connections for leaks.
- See Anti-Tip Instructions for proper anchoring instructions.

Control Panel and Knobs:

- Before cleaning the control panel be sure that the knobs are in the OFF position. Clean with a soft cloth and warm soapy water. Remove residues and dry carefully; excess water in and around the controls may damage the stove.
- The control knobs may be removed for easier cleaning. To remove, pull them straight off the stem. Clean with soft cloth and warm soapy water; rinse well.
- To replace knobs after cleaning, connect the flat side of the knob cavity to the control rod and press against the knob to reconnect.

Oven Rack:

- To make the rack slide more easily you may apply a small amount of vegetable oil or cooking oil to a paper towel and wipe the edges of the rack with it.

Broiler Pan:

- Remove broiler pan from oven after broiling and carefully pour out the grease from the pan into a proper container.
- Wash and rinse the broiler pan using hot water and a soap-filled scouring pad.
- If food has burned on, sprinkle with detergent while it is hot and cover it with wet paper towels or a dishcloth. Soaking the pan will remove burned-on food.
- Do not use commercial oven cleaners, cleaning powders, steel wool pads or harsh abrasives on any surfaces. Vinegar and water solution may be used.

To Remove/Replace the Storage Drawer:

- Pull the drawer all the way out until it stops.
- Lift the drawer by its handle and pull all of the way out.
- To replace, reverse steps above.

CLEANING THE CONTOURED WELL AREAS, BURNER CAPS, AND BURNER HEADS

The contoured well areas, burner caps and burner heads should be routinely cleaned. Keeping the burner ports clean will prevent improper ignition and an uneven flame.

To clean the recessed and contoured areas of the cook-top:

- If a spill occurs on or in the recessed or contoured areas, blot up spill with an absorbent cloth. Rinse with a clean, damp cloth and wipe dry.

To remove and replace the surface burner caps and surface burner heads, remove in the following order:

- 1) Surface burner grates
- 2) Surface burner caps, and
- 3) Surface burner heads

- Reverse the procedure above to replace the surface burner caps and surface burner heads.
 - Use a soap-filled scouring pad or a mild abrasive cleanser to clean the surface burner caps and surface burner heads. The ports or slots around the burner head must be routinely cleaned. If residue still remains in these ports, use a small-gauge wire or needle to clean the slots or holes.
 - For proper flow of gas and ignition of the burner do not allow spills, food, cleaning agents or any other material to enter the gas orifice holder opening. Always keep the surface burner cap and surface burner head in place whenever a surface burner is in use.

THE COOK-TOP IS NOT REMOVABLE. DO NOT ATTEMPT TO REMOVE OR LIFT THE COOK-TOP.

Oven Surface:

- Be sure to wear rubber gloves to protect your hands.
- Do not use oven cleaners, cleaning powders, steel wool pads, synthetic fiber pads, or any other materials that may damage the surface finishing.
- If any acid, grease, sugar, etc. spills on surfaces while they are hot, use a dry paper towel or soft cloth to wipe it up right away. When the surface has cooled, clean with soft cloth and warm soapy water; rinse well.
- You may also use a solution of vinegar and water to clean the oven surface. Use vinegar to remove hard stains (white stains).
- Heavy spattering or spillover may require cleaning with a mildly abrasive cleaner. other material to enter the gas orifice holder opening. Always keep the surface burner cap and surface burner head in place whenever a surface burner is in use.

CARE AND CLEANING (cont'd)

Oven Cavity:

- Do not use oven cleaners, cleaning powders, steel wool pads, synthetic fiber pads, or any other materials that may damage the surface finishing.
- To clean the oven bottom, gently lift the bake element. This will allow easier access to the oven bottom for cleaning. Be careful not to raise the element more than 4 or 5 inches from the resting position.
- Clean with warm soapy water; rinse and dry with a clean soft cloth.

Lift-Off Oven Door:

- The oven door is removable for cleaning. To remove:
 - Open the door to the fully opened position.
 - Pull up the lock located on both hinge supports and engage it in the hook of the hinge levers. You may have to apply a little downward pressure on the door to pull the lock fully over the hooks.
 - Grasp the door by the sides; pull the bottom of the door up and toward you to disengage the hinge supports. Keep pulling the bottom of the door toward you while rotating the top of the door toward the range to completely disengage hinge levers.
- To replace: reverse the process above.

Cleaning the Inner Door:

- Soap and water should suffice; Heavy spattering or spillovers may require cleaning with a mildly abrasive cleaner.

Cleaning the Outer Door:

- Use soap and water to thoroughly clean the top, bottom, sides, and front of the oven door; rinse well.
- Do not let water drip into the vent openings.

CAUTION! Use caution when replacing the burner cap so the electrode is not damaged. This may cause a delayed ignition or prevent the burner from igniting.

CAUTION! Any additions, changes or conversions required in order for this appliance to satisfactorily meet the application needs must be made by an authorized distributor or qualified agency.

TROUBLESHOOTING

Before you call for service, review this list of troubleshooting solutions. If none of the below suggestions rectify the problem, contact the Danby customer service department TOLL FREE: 1-800-26-**Danby**®

PROBLEM	POSSIBLE CAUSE	SOLUTION
1) Surface burners do not light	<ul style="list-style-type: none"> • Surface Control knob has not been completely turned. • Burner ports are clogged. • Range power cord is disconnected from outlet. • Electrical power outage. 	<ul style="list-style-type: none"> • Push in and turn the Surface Control knob until burner ignites and then turn control knob to desired flame size. • With the burner off, use a small-gauge wire or needle to clean ports. • Be sure cord is securely plugged into the outlet. • Burners can be lit manually. Check house lights to be sure. Call your local electric company for service.
2) Surface burner flame burns half way around	<ul style="list-style-type: none"> • Burner ports are clogged. • Moisture is present after cleaning. 	<ul style="list-style-type: none"> • With the burner off, use a small-gauge wire or needle to clean ports. • Lightly fan the flame and allow burner to operate until flame is full. Dry the burners thoroughly.
3) Surface burner flame is orange	<ul style="list-style-type: none"> • Dust particles in main line. • In coastal areas, a slightly orange flame is unavoidable due to salt air. 	<ul style="list-style-type: none"> • Allow the burner to operate a few minutes until flame turns blue. • This is normal; no action necessary.
4) Poor baking results.	<ul style="list-style-type: none"> • Many factors affect baking results. • Be sure regulator gas valve is “ON”. 	<ul style="list-style-type: none"> • Make sure the proper rack position is used. Center food in the oven and space pans to allow air to circulate. Allow the oven to preheat to the set temperature before placing food in the oven. Try adjusting the recipes recommended temp. or baking time. • See Installation Instructions.
5) Flames inside oven or smoking from vent	<ul style="list-style-type: none"> • Your oven will most likely smoke after a spillover has occurred. 	<ul style="list-style-type: none"> • This is normal, especially for high oven temperatures, pie spillovers or large amounts of grease on oven bottom. Wipe up excessive spillovers immediately.
6) Oven smokes excessively during broiling	<ul style="list-style-type: none"> • Meat too close to the broil burner. • Meat not properly prepared. • Broiler drawer needs to be cleaned. • Broiler drawer is open. 	<ul style="list-style-type: none"> • Reposition the rack to provide more clearance between the meat and the broiler. • Remove excess fat from meat. Slash remaining fatty edges to prevent curling, but do not cut into the lean. • Excessive smoking is caused by a build up of grease or food spatters. If the broiler is used often, clean on a regular basis. • Broiler door should be closed when broiling.
7) Oven door is crooked	<ul style="list-style-type: none"> • The door is out of position. 	<ul style="list-style-type: none"> • Because the oven door is removable, it can become out of position during installation. To straighten the door, see “Care and Cleaning” in this manual.
8) Oven light does not work	<ul style="list-style-type: none"> • Replace or tighten bulb. • Switch operating light is broken. 	<ul style="list-style-type: none"> • See “Care and Cleaning” in this manual. • Call for Service.



LIMITED WARRANTY GAS RANGE

This quality product is warranted to be free from manufacturer's defects in material and workmanship, provided that the unit is used under the normal operating conditions intended by the manufacturer.

This warranty is available only to the person to whom the unit was originally sold by Danby or by an authorized distributor of Danby, and is non-transferable.

TERMS OF WARRANTY

Plastic parts, are warranted for thirty (30) days only from purchase date, with no extensions provided.

First Year During the first twelve (12) months, any gas operated parts of this product found to be defective, will be repaired or replaced, at warrantor's option, at no charge to the ORIGINAL purchaser.

To obtain Service (at was Danby reserves the right to limit the boundaries of "In Home Service" to the proximity of an Authorized Service Depot. Any appliance requiring service outside the limited boundaries of "In Home Service", it will be the consumer's responsibility to transport the appliance (at their own expense) to the original retailer (point of purchase) or a service depot for repair. Contact your dealer from whom your unit was purchased, or contact your nearest authorized Danby service depot, where service must be performed by a qualified service technician. If service is performed on the units by anyone other than an authorized service depot, or the unit is used for commercial application, all obligations of Danby under this warranty shall be at an end.

Nothing within this warranty shall imply that Danby will be responsible or liable for any spoilage or damage to food or other contents of this appliance, whether due to any defect of the appliance, or its use, whether proper or improper.

EXCLUSIONS

Save as herein provided, Danby Products Limited (Canada) or Danby Products Inc. (U.S.A.), there are no other warranties, conditions, representations or guarantees, express or implied, made or intended by Danby Products Limited or its authorized distributors and all other warranties, conditions, representations or guarantees, including any warranties, conditions, representations or guarantees under any Sale of Goods Act or like legislation or statute is hereby expressly excluded. Save as herein provided, Danby Products Limited (Canada) or Danby Products Inc. (U.S.A.), shall not be responsible for any damages to persons or property, including the unit itself, howsoever caused or any consequential damages arising from the malfunction of the unit and by the purchase of the unit, the purchaser does hereby agree to indemnify and save harmless Danby Products Limited from any claim for damages to persons or property caused by the unit.

GENERAL PROVISIONS

No warranty or insurance herein contained or set out shall apply when damage or repair is caused by any of the following:

- 1) Power Failure.
- 2) Damage in transit or when moving the appliance.
- 3) Improper power supply such as low voltage, defective house wiring or inadequate fuses.
- 4) Accident, alteration, abuse or misuse of the appliance such as inadequate air circulation in the room or abnormal operating conditions, (extremely high or low room temperature).
- 5) Use for commercial or industrial purposes.
- 6) Fire, water damage, theft, war, riot, hostility, acts of God such as hurricanes, floods etc.
- 7) Service calls resulting in customer education.

Proof of purchase date will be required for warranty claims; so, please retain bills of sale. In the event warranty service is required, present this document to our AUTHORIZED SERVICE DEPOT.

Warranty Service

In Home Service with Limited Coverage- Installation and/or Conversion not covered under warranty.

Danby Products Limited
PO Box 1778, 5070 Whitelaw RD, Guelph, Ontario, Canada N1H 6Z9
Telephone: (519) 837-0920 FAX: (519) 837-0449

Danby Products Inc.
PO Box 669, 101 Bentley Court, Findlay, Ohio, U.S.A. 45840
Telephone: (419) 425-8627 FAX: (419) 425-8629

BIENVENIDA

Gracias por elegir la cocina eléctrica Danby. En el espacio que sigue, escriba el número del modelo y el número de serie de este aparato. Dichos números se indican en la placa del número de serie, ubicada debajo de la tapa superior levadiza de la cocina.

Modelo No.: _____ Tipo No.: _____

No. de serie: _____ Fecha de compra: _____

Anote estas cifras, para que las consulte en el futuro.

IMPORTANTE: Conserve una copia de su factura de compra. La fecha de la factura se utiliza para calcular el período de garantía en caso de que necesite servicios de mantenimiento o de reparación. Es muy recomendable que, cuando le presten dichos servicios, solicite y conserve todos los comprobantes.

SÍRVASE REALIZAR LO SIGUIENTE AHORA:

Debe llenar completamente, firmar y enviar de vuelta la TARJETA DE INSCRIPCIÓN DEL PRODUCTO. Esos datos nos permitirán inscribir su producto y nos ayudarán a prestarle un servicio más rápido cuando lo necesite en el futuro.



ADVERTENCIA: El no seguir las indicaciones de este manual puede dar pie a incendios o explosiones, que ocasionen daños materiales, lesiones o la muerte.

INFORMACION IMPORTANTES DE SEGURIDAD

No almacene ni utilice gasolina ni otros líquidos o gases inflamables alrededor de este o cualquier otro aparato.

QUÉ HACER SI HUELE A GAS:

- No intente encender ningún aparato.
- No toque ningún interruptor eléctrico; no utilice ningún teléfono de la casa.
- Llame de inmediato a la compañía de gas desde el teléfono de un vecino. Siga las instrucciones de la compañía de gas.

Las tareas de instalación y mantenimiento debe realizarlas un técnico calificado, o bien un técnico de reparaciones o de la compañía de gas.

ANTES DE UTILIZA PRIMERO

- Antes de usar el horno, quítele toda la cinta y el material de empaque. Si quedan residuos de pegamento, elimínelos con el lado adhesivo de la cinta del empaque, o use un paño empapado en alcohol de frotación. Tenga cuidado; el alcohol de frotación es inflamable. Enjuague la superficie con agua tibia y séquela con una toalla.
- Luego de desempacar la cocina, destruya la caja de cartón y las bolsas de plástico. Los niños no deben usar el material de empaque para jugar. Las cajas de cartón que vienen cubiertas con mantas, colchas o láminas de plástico pueden convertirse en cámaras herméticas. Quítele todas las grapas a la caja de cartón. Las grapas pueden ocasionar heridas graves y dañar el acabado de los aparatos o muebles con los que entre en contacto.
- Actúe pensando en su seguridad. La preparación de alimentos en el horno requiere de temperaturas que pueden provocar quemaduras graves. Antes de usar este aparato o cualquier aparato nuevo, lea detenidamente y siga todas las instrucciones.

INSTALACIÓN

- Instalación adecuada: Cerciórese de que el aparato ha sido bien instalado y puesto a tierra por un técnico calificado de acuerdo con la última edición de la Normativa nacional de gas combustible ANSI Z223 o, en Canadá, CAN/CGA B149.1 y CAN/CGA B149.2, y la última edición de la Normativa nacional eléctrica ANSI/NFPA n.º 70, o en Canadá, CSA Standard C22.1, Normativa eléctrica canadiense, parte 1, y los requisitos normativos locales. Lleve a cabo la instalación siguiendo exclusivamente las instrucciones de instalación incluidas en la documentación de esta cocina. Verifique que las patas niveladoras estén bien colocadas en las esquinas inferiores de la cocina. Si es necesario, regule la altura de las patas niveladoras ubicadas en la base de la cocina, girándolas hacia la izquierda o la derecha, para asegurar que la cocina quede bien nivelada.
- Pida a su distribuidor que le recomiende un técnico calificado y un servicio de reparaciones autorizado. Pida al técnico que le muestre dónde se encuentran la válvula de desconexión manual del gas y el medidor de gas, por si necesita cortar el suministro de gas durante una emergencia.



ADVERTENCIA: Si no procede de acuerdo con las instrucciones acerca de las siguientes situaciones, se pueden producir daños materiales, lesiones o la muerte.

- **PARA REDUCIR EL RIESGO DE VUELCO, LA COCINA DEBE ESTAR BIEN SUJETA CON EL SOPORTE ANTIVUELCO PROVISTO DEBIDAMENTE INSTALADO. PARA COMPROBAR SI EL DISPOSITIVO ESTÁ CORRECTAMENTE INSTALADO Y SUJETO, INCLINE UN POCO LA COCINA, CON MUCHO CUIDADO, HACIA ADELANTE. EL DISPOSITIVO ANTIVUELCO DEBE QUEDAR SUJETO E IMPEDIR QUE LA COCINA SE VUELQUE. CONSULTE LAS INSTRUCCIONES DE INSTALACIÓN DEL SOPORTE ANTIVUELCO PARA MONTARLO ADECUADAMENTE.**
- No deje solos a los niños: Los niños no deben quedarse solos o sin vigilancia en la zona en que se utiliza el aparato. Nunca hay que permitirles sentarse o ponerse de pie sobre ninguna parte del aparato.
- No guarde objetos que atraigan a los niños en los armarios situados encima de la cocina o en la protección trasera de la misma. Si los niños se suben a la cocina para llegar a esos objetos, pueden sufrir lesiones importantes.

INFORMACION IMPORTANTES DE SEGURIDAD (cont'd)

- No permita a los niños trepar a la cocina ni jugar alrededor de la misma. El peso de un niño sobre la puerta abierta del horno puede provocar que la cocina se vuelque y se produzcan quemaduras o lesiones graves.
- **MANTENIMIENTO POR EL USUARIO :** No repare ni cambie ninguna pieza de este aparato, salvo que específicamente se recomiende hacerlo en esta guía del propietario. Todas las reparaciones o mantenimientos los debe realizar un técnico calificado. Esto disminuirá el riesgo de lesiones a las personas y daños a la cocina.
- Almacenamiento dentro o encima del aparato: no se deben guardar materiales inflamables en el interior del horno, en el cajón de calentamiento ni cerca de los quemadores. Ello incluye objetos de papel, plástico y tela, como libros de cocina, utensilios de plástico y trapos, así como líquidos inflamables. No guarde explosivos, como botes de aerosol, encima ni cerca de la cocina.
- Qúitele la puerta del horno a toda cocina que vaya a guardar o a desechar.
- El pararse, recostarse o sentarse en las puertas o en la zona del asador de esta cocina puede ocasionar lesiones graves y daños a la cocina.



ADVERTENCIA: Las siguientes situaciones pueden resultar en daños materiales o lesiones

MEDIDAS DE PROTECCIÓN IMPORTANTES

- No toque los quemadores, las zonas proximas a éstos ni las superficies interiores del horno. Tanto los quemadores como los quemadores del horno pueden estar calientes aunque no se vean llamas. Las zonas cercanas a los quemadores pueden calentarse y provocar quemaduras. Durante el uso y después del mismo, no toque, ni deje que ninguna ropa u otros materiales inflamables toquen, ninguna de esas zonas, hasta que hayan tenido tiempo suficiente para enfriarse. Entre estas zonas está la encimera de la cocina, las superficies contiguas a la misma, las aberturas de ventilación del horno y las
- Nunca utilice esta estufa para calentar ningún aposento. El hacerlo puede causar envenenamiento por monóxido de carbono y sobrecalentar el horno.
- Use ropa apropiada; nunca debe llevar prendas holgadas o que cuelguen mientras usa esta aparato. No deje que la ropa y otros materiales inflamables hagan contacto con las resistencias o las superficies interiores del horno, hasta que las mismas hayan tenido tiempo suficiente para enfriarse.
- Nunca modifique ni altere la estructura de la cocina. No quite las patas niveladoras, los paneles, las cubiertas de los cables, los soportes antivuelco ni ninguna otra pieza instalada permanentemente en el producto.
- Al calentar grasa o aceite, vigílelos de cerca. La grasa o el aceite se pueden incendiar si se calientan demasiado.
- No utilice agua ni harina si se incendia el aceite: sofoque el fuego con la tapa de una olla, o bien utilice bicarbonato o un extintor de espuma.
- Utilice únicamente agarradores secos: el uso de agarradores húmedos o mojados en superficies calientes puede provocar quemaduras a causa del vapor. Tenga cuidado de no tocar los quemadores con los agarradores. No utilice ninguna toalla ni trapos gruesos en lugar de los agarradores.
- Utilice una llama de tamaño adecuado: ajuste el tamaño de la llama de forma que no sobresalga de los bordes del utensilio. El uso de utensilios demasiado pequeños dejará un parte de la llama del quemador expuesta al contacto directo, y puede quemar la ropa. La coincidencia de tamaño de los utensilios con la llama mejora además la eficiencia.
- No use papel de aluminio para cubrir el fondo del horno, salvo en la manera que se sugiere en la sección de limpieza de este manual. El uso inadecuado del papel de aluminio puede implicar un peligro de incendio. Además, el papel puede afectar la circulación del calor y dañar la cocina.
- Colocación de bandeja en el horno: coloque siempre la bandeja en la ubicación deseada con el horno frío. Si tiene que mover la bandeja con el horno caliente, tenga mucho cuidado. Utilice agarradores y sujete la bandeja con las dos manos para recolocarla. Retire todos los utensilios de la bandeja antes de sacarla.
- No caliente recipientes de comida cerrados: el aumento de la presión puede hacer que el recipiente estalle y causar lesiones.
- No obstruya los conductos de ventilación del horno: la ventilación del horno se encuentra debajo de la protección trasera. Si se tocan las superficies de esta zona cuando el horno está en marcha, pueden producirse quemaduras. Asimismo, no ponga objetos de plástico o sensibles al calor sobre la ventilación del horno ni cerca de la misma, ya que podrían fundirse o arder.
- La cocina necesita una buena circulación de aire para lograr la combustión adecuada en los quemadores. No obstruya el flujo de aire alrededor de la base ni debajo del panel delantero inferior de la cocina.
- Tenga cuidado al abrir la puerta del horno o el cajón de calentamiento: póngase al lado de la cocina para abrir la puerta del horno caliente. Deje que salga el aire caliente o el vapor antes de sacar alimentos del horno o meterlos.
- Sepa qué mando controla cada quemador. Coloque una olla o sartén con alimentos sobre el quemador antes de encenderlo, y apáguelo antes de quitar el utensilio. Gire y presione siempre el mando hasta encender los quemadores. Compruebe visualmente que se ha encendido el quemador. Ajuste la llama de forma que no sobresalga de los bordes del utensilio.
- Los mangos de los utensilios se deben girar hacia dentro, y no quedar por encima de los quemadores adyacentes: para reducir el riesgo de quemaduras, la ignición de materiales inflamables y los derrames debidos al contacto involuntario con el utensilio, el mango de los utensilios deben quedar hacia dentro, y que no sobresalgan por encima de los quemadores adyacentes.
- Nunca deje los quemadores a fuego fuerte sin vigilancia: al hervir los líquidos, pueden desbordarse y provocar humo y manchas de aceite que pueden arder, o una olla que se haya quedado sin líquido puede fundirse.
- Cuando vaya a quitar la puerta del horno, no meta las manos entre la bisagra a resorte y el marco de la puerta. Sus dedos podrían quedar atrapados.

INFORMACION IMPORTANTES DE SEGURIDAD (cont'd)

MEDIDAS DE PROTECCIÓN IMPORTANTES

- No use la bandeja del asador sin su base. La bandeja del asador y su base permiten escurrir el aceite o la grasa, e impiden que éstos queden expuestos a las altas temperaturas del asador. No cubra la base con papel de aluminio. El aceite o la grasa pueden incendiarse.
- Deje que las piezas se enfríen hasta la temperatura ambiente antes de tocarlas o de retirarlas de la cocina. Cuando los quemadores de las hornillas se apagan, aún pueden estar lo suficientemente calientes y ocasionar quemaduras graves.
- Limpie regularmente la cocina para eliminar de todas las piezas la grasa o el aceite que pudieran incendiarse. Preste atención especial al área debajo de cada quemador. El extractor, las campanas de ventilación y los filtros de grasa se deben limpiar regularmente. No deje que se acumule aceite o grasa. Los depósitos de grasa en el ventilador pueden incendiarse. Para limpiarlos, consulte las instrucciones del fabricante del extractor.
- Utensilios de cocina vidriados: sólo los utensilios de ciertos tipos de vidrio, vidrio/cerámica, cerámica, barro u otros utensilios vidriados son adecuados para su uso en esta cocina, ya que otros pueden romperse debido al cambio brusco de temperatura. Consulte las recomendaciones del fabricante en cuanto al uso de los quemadores.
- No ponga saleros, pimenteros ni recipientes de plástico, ni envolturas plásticas sobre la cocina, ya que podrían fundirse o arder. Las agarraderas, las toallas y las cucharas de madera pueden arder si se les coloca demasiado cerca de las llamas.
- No use sartenes chinas (woks) cuyo aro metálico sobresalga más allá del quemador. Tanto la resistencia como la rejilla podrían dañarse, debido a que dicho aro absorbe el calor. Además, el quemador podría dejar de funcionar correctamente y emitir un nivel de monóxido de carbono superior a lo estipulado actualmente por las normas sanitarias.
- No limpie la junta de la puerta del horno. La junta es esencial para formar un sello hermético. Tenga cuidado de no frotarla, dañarla o moverla.
- Conectores flexibles: Si la cocina/el horno a gas están conectados al suministro de gas mediante un conector metálico flexible, mueva con CUIDADO la cocina/el horno para limpiarlos o darle mantenimiento. Los conectores flexibles no deben doblarse repetidamente.
Evite que los conectores flexibles entren en contacto con productos de limpieza.
Tanto el conector como sus accesorios se han diseñado para un propósito original específico y no se deben volver a usar con otros aparatos o en otro lugar.
- Es muy recomendable contar en cada hogar con un extintor de incendios apropiado, para el caso en que se produzca un incendio.
- Antes de reparar o mover la cocina, desconéctela del suministro eléctrico.

NOTA: Las instrucciones que aparecen en esta guía del propietario no cubren todas las posibles condiciones y situaciones que puedan ocurrir. Tome precauciones y use su buen criterio al hacer funcionar y dar mantenimiento a cualquier aparato.

CONSEJOS PARA AHORRAR ENERGÍA

Cocción en las hornillas:

- Ponga tapas a las ollas cuando cocine en las hornillas. Las tapas retienen el vapor y ayudan a acelerar el proceso de cocción. Si tiene una olla de presión o de vapor, úsela. Ahorrará tiempo y reducirá los gastos en electricidad.
- Use ollas de peso mediano y de fondo plano, que correspondan a la intensidad del fuego. Elija ollas fabricadas de metales que conduzcan bien el calor.
- Cuando cocine sobre un quemador en la parte superior de la cocina, use la menor cantidad posible de agua, para disminuir el tiempo de cocción.

Cocción en el horno:

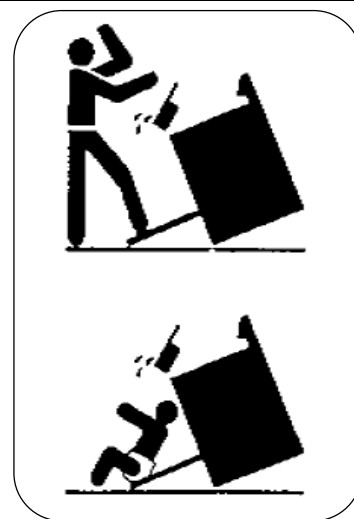
- Caliente el horno previamente, únicamente cuando la receta así lo indique. Coloque los asados y guisos en el horno aún frío y, luego, encienda el horno.
- El abrir a menudo la puerta del horno para comprobar si los alimentos están cocidos gasta mucha energía.
- Use el horno para preparar comidas completas. Por ejemplo, ponga un asado, añada los vegetales cuando la carne esté medio cocida y, luego, caliente los panecillos o el postre cuando los platos principales estén listos.
- Descongele los alimentos antes de cocinarlos. Los alimentos descongelados requieren menos energía para cocerse que los congelados.
- Acostúmbrase a apagar el horno antes de sacar los alimentos cocidos.

INSTRUCCIONES DE INSTALACIÓN

Haga instalar y conectar correctamente a tierra el aparato por un técnico calificado. El técnico tiene la responsabilidad de garantizar que su cocina quede bien instalada. Las situaciones que se presenten debido a una mala instalación no son amparadas por la garantía. El fabricante del aparato no correrá con los gastos en que se incurra a causa de tales situaciones.

⚠️ ADVERTENCIA: Para reducir el riesgo de que el aparato se vuelque debido al uso anormal o a la carga incorrecta de la puerta, es necesario asegurarlo instalándole adecuadamente el dispositivo antivuelco que se suministra con el mismo. Para comprobar si el dispositivo está correctamente instalado y sujeto, incline un poco la cocina, con mucho cuidado, hacia adelante. El dispositivo antivuelco debe quedar sujeto e impedir que la cocina se vuelque.

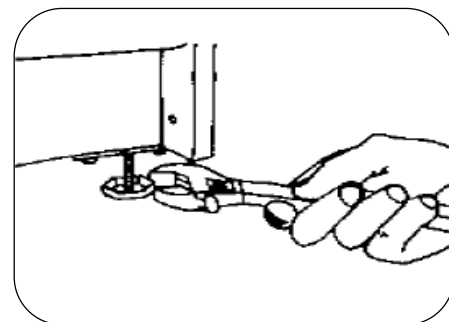
Si por razones de servicio, limpieza u otras, es necesario quitar la cocina de su sitio, se debe volver a colocarla de la forma indicada en las instrucciones de instalación, antes de ponerla de nuevo en marcha.



CÓMO NIVELAR UNA COCINA INDEPENDIENTE

Todas las cocinas independientes deben ser bien niveladas para garantizar una cocción adecuada. Las patas niveladoras se deben fijar con tornillos en los soportes de esquinas. Coloque un nivel, o una sartén o una taza de medir con un poco de agua, sobre la rejilla del horno. Regule las patas niveladoras hasta que la cocina quede nivelada. La parte superior de los paneles laterales debe quedar pareja con la encimera o la superficie de trabajo.

IMPORTANTE: Conserve los niveladores de las patas. Es muy importante mantener la cocina nivelada.



CONEXIONES DE GAS

Pida en el concesionario donde compró su nueva cocina que se la instalen o le recomienden un servicio de instalación profesional. La instalación debe realizarse de conformidad con los códigos locales. Para conectar la cocina a la línea de suministro debe usarse una tubería de hierro negro o un conector flexible aprobado para estufas. Para evitar las fugas de gas, aplique a todas las uniones roscadas un sellador recomendado que sea resistente a los gases licuados.

IMPORTANTE: Al apretar las conexiones del suministro, no aplique presión directamente sobre el tubo del múltiple de la cocina. El tubo del múltiple se debe fijar al regulador de presión, para evitar que se tuerza. Mientras aprieta la conexión, sostenga el regulador de presión con una llave; de lo contrario, el tubo del múltiple se puede torcer y rajarse, y causar una fuga peligrosa.

Nota: La instalación de cocinas diseñadas para casas rodantes debe cumplir con normas específicas y los códigos locales. Revise todas las uniones de la tubería de la unidad, para detectar cualquier fuga. Nunca use llamas al descubierto para hacer pruebas de fugas de gas. Es posible que las conexiones realizadas en la fábrica tengan fugas debido a las vibraciones que se producen durante el transporte. Antes de usar la cocina, contrate personal técnico capacitado para reparar cualquier posible fuga.

CONEXIONES ELÉCTRICAS

La cocina se pone a tierra mediante un cordón eléctrico de tres conductores (enchufe de tres patas), que se conecta a un receptáculo de pared similar puesto a tierra.

- El aparato debe estar conectado a tierra, si se instala conforme a los códigos locales.

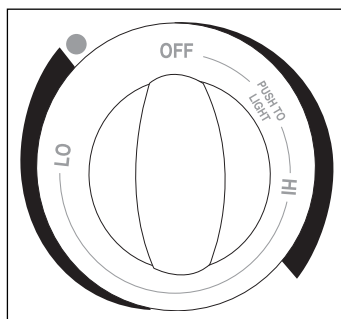
INSTRUCCIONES OPERADORAS

CÓMO USAR LA COCINA

Funcionamiento de los quemadores:

Nota: Al hervir los alimentos, la mayor temperatura que se puede alcanzar es el punto de ebullición. Cuando el líquido comience a hervir, baje la intensidad de la llama hasta dejar la mínima temperatura necesaria para mantener la ebullición. Esto le permitirá ahorrar gas. Además, reducirá la probabilidad de que los alimentos se quemen o se hiervan más de la cuenta, y le ayudará a mantener su cocina más fresca. Utilice utensilios de cocina que tengan fondo plano, y colóquelos siempre sobre la hornilla antes de encender el quemador. Los utensilios con fondo redondo o pandeado no hacen buen contacto con la hornilla y afectan la eficiencia de la cocción. Elija utensilios lo suficientemente grandes como para impedir derrames, pero recuerde que si son demasiado grandes (de un diámetro mayor de 8 1/2") pueden provocar que el acabado se descolore o se agriete. Los daños ocasionados por el uso de utensilios de cocina demasiado grandes, como los que se usan algunas veces para calentar latas, no están amparados por la garantía. El acabado se aplica de conformidad con una norma aceptable desde el punto de vista comercial y su condición depende del cuidado con que lo trate el usuario.

LLAMA	TIPO DE COCCIÓN
Alta	Empezar a cocinar la mayoría de alimentos, llevar agua a ebullición, hacer a la plancha.
Media	Mantener una ebullición lenta, espesar salsas, cocer al vapor.
Baja	Mantener la cocción, guisar, estofar.



Gire el control a la posición LIGERA llena cuando encendiendo los quemadores primeros. Entonces ajuste el tamaño de llama tan no extiende más allá de la orilla del útil de cocina.

La nota: Sepa cuál control opera cada quemador. Coloque una cacerola de alimento en el quemador antes de girarlo en, y apague el quemador antes de quitar la cacerola.

Válvulas de quemadores superiores:

El tamaño de la llama de los quemadores superiores se debe regular, de modo que no sobresalga por sobre el borde del utensilio de cocina. Por su propia seguridad, le instamos a que cumpla estas instrucciones. Una llama alta en un quemador es tanto ineficiente como peligrosa. Regule siempre la llama de modo que no sobresalga del fondo de la olla. Las diferencias en el tamaño de la llama pueden deberse a variaciones en la presión, la ubicación incorrecta de los quemadores, daños o suciedad.

Pre calentamiento:

Antes de poner los alimentos en el horno, caliente el horno a la temperatura deseada. Déjelo calentarse previamente durante 10 o 12 minutos.

Cómo abrir la puerta del horno:

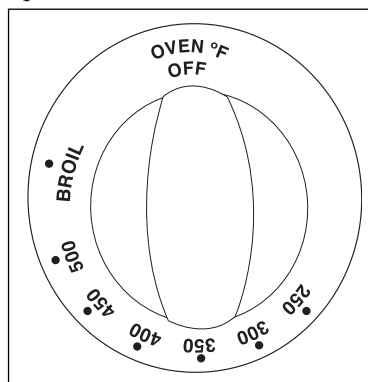
Deje que el aire y el vapor calientes salgan antes de sacar o de colocar los alimentos.

Cómo colocar la rejilla del horno:

Se debe colocar la rejilla del horno antes de encender el horno. Coloque la rejilla de modo que los alimentos queden en el centro del horno.

Graduación de la temperatura:

Es importante elegir la graduación adecuada de la temperatura. Nunca ponga el selector a una graduación más alta que la necesaria, con la intención de reducirla más tarde. Esto no acelera el proceso de cocción. Lo que puede provocar es que el horno cambie de ciclos más lentamente y varíe la temperatura trayendo como resultado una cocción deficiente. Su horno tiene una gama de temperatura de 250°F ~ 500°F.



Horneado:

Al hornear, siga las instrucciones de la receta. Use los ingredientes apropiados, mídalos cuidadosamente y use utensilios del tipo y tamaño correcto, según indique la receta. Recuerde precalentarlo adecuadamente. Evite abrir a menudo la puerta del horno durante el proceso de precalentamiento y horneado. Cuando hornee pasteles en bandejas de hornear de vidrio, baje la temperatura del horno a 25° F, para evitar que el fondo y los lados se doren antes que la parte superior. Además, cuando se usan utensilios de vidrio para hornear, es mejor aumentar el tiempo de precalentamiento para estabilizar con precisión la temperatura del horno. Para ello, deje 30 minutos para las temperaturas mayores que 350° F y 30 minutos para las temperaturas menores que 425° F. Evite en lo posible abrir la puerta.

Rejilla del horno:

La rejilla del horno se deben colocar antes de pasar la perilla del horno a la posición de encendido. Coloque la rejilla de modo que los alimentos queden en el centro del horno, no de la rejilla. Cuando use más de un plato, dispóngalos en forma alterna, dejando espacio entre cada uno de ellos. No deje que los platos toquen ninguna parte del horno, especialmente la ventanilla de vidrio. Lo ideal es usar de rejilla y colocar los alimentos de modo que los platos no queden uno sobre el otro.

Remoción de las rejilla:

Hale la rejilla del horno y levántela por el frente, hasta que salga de la guía. Para volver a colocarla, meta la parte angulada trasera de la rejilla por debajo de la guía de la rejilla, y deslícela hasta atrás. Nunca cubra la rejilla del horno con papel de aluminio. Esto retendrá el calor y concentrará el calor en determinados lugares, lo que ocasiona un bajo rendimiento. Se puede dañar el acabado de porcelana, así como las ventanillas de vidrio de las puertas del horno.

INSTRUCCIONES OPERADORAS (cont'd)

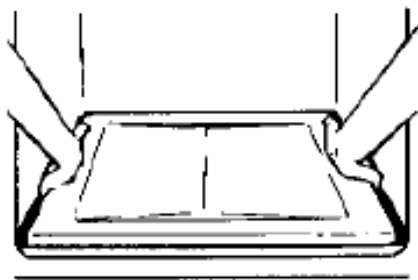
CÓMO USAR LA COCINA (continuación)

Fondo desmontable del horno:

Primero, quite la rejillas del horno. El fondo del horno se levanta desde la parte posterior. Agarre cada lado del fondo del horno y levántelo desde la parte trasera, hasta que quede separado. Levántelo y sáquelo por el frente. **NOTA:** Si el fondo del horno se vuelve a colocar de manera incorrecta, se puede combar y puede dejar de hornear correctamente.

El fondo del horno tiene un revestimiento de esmalte porcelanizado. Para facilitar la limpieza, proteja el fondo del horno del exceso de derrames. Esto es de gran importancia especialmente al hornear pasteles de frutas u otros alimentos con alto contenido de ácido. Los rellenos calientes de frutas o alimentos de alto contenido ácido, como la leche, el tomate, la col agria, así como las salsas con vinagre o jugo de limón, pueden hacer que la superficie de esmalte porcelanizado se pique y se dañe. Para proteger la superficie del fondo del horno, coloque en la rejilla de abajo un pedazo de papel de aluminio, un poco más grande que el plato que se hornea en la rejilla, para recoger los jugos que se derramen. El papel no debe cubrir completamente la rejilla, ya que esto afectaría la uniformidad del calor dentro del horno. El papel de aluminio no se debe colocar sobre el fondo del horno.

Si ocurre algún derrame sobre el fondo del horno, primero deje que el horno se enfríe. Puede limpiar el fondo con agua y jabón, algún producto de limpieza abrasivo suave, almohadillas abrasivas rellenas con jabón o con un limpiador para hornos (siga las instrucciones del paquete).



Compartimiento de la parrilla:

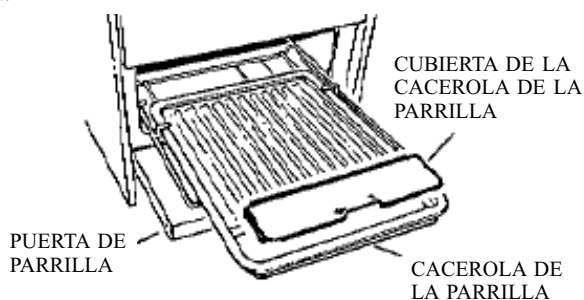
La bandeja de asar a la parrilla se sujeta en su sitio mediante una rejilla de alambre. Para abrir la parrilla, levante suavemente y hale hacia delante la puerta de la parrilla. Tire de la bandeja de la parrilla hacia delante. Llegará hasta un tope temporal. Siga halando y la bandeja saldrá y dejará ver toda la superficie de la parrilla. Retire la bandeja de asar de la rejilla de la parrilla, levantándola por la parte frontal. Luego, hálela ligeramente hacia adelante y, con las dos manos, levántela y sáquela de la rejilla. Para volver a colocar la bandeja en la rejilla de la parrilla, saque la rejilla de alambre hasta la posición de tope. Meta la bandeja en la sección empotrada de la rejilla de la parrilla. Deslice la bandeja hasta dejarla en su sitio, debajo de los sostenes de la bandeja. Empuje la bandeja hasta el fondo del compartimiento. Cierre la puerta de la parrilla.

Parrilla de bajo consumo:

Es posible que su cocina venga equipada con esta parrilla opcional. La apariencia exterior de la cocina será la misma. Para abrir la puerta de la parrilla, levante ligeramente el asa, para liberar el seguro de la puerta, y baje la puerta. En la sección de la parrilla hay dos posiciones para las guías estampadas de las rejillas, una bandeja de asar y una parrilla. Cuando desee asar a la parrilla, tome una de las rejillas del horno y métala en la guía. Luego, coloque la bandeja de asar y la parrilla sobre la rejilla del horno.

Asado a la parrilla: (Asadera no incluido)

Precalente la zona de la parrilla y de la bandeja de asar durante algunos minutos. Es imposible indicar un tiempo exacto para asar las carnes a la parrilla, debido a que el grosor, la cantidad de grasa y el gusto de cada persona varían. Sea cuidadoso al manipular las bandejas de asar calientes; tenga cuidado con la grasa caliente. Los derrames de grasa caliente pueden provocar lesiones graves. Nunca deje una bandeja de asar sucia en el sitio; siempre límpiela y vuelva a colocarla en la unidad del quemador. Nunca sustituya la bandeja de asar por otra de un tipo no aprobado. Para reducir el riesgo de que se produzcan llamaradas se debe eliminar el exceso de grasa. La carne puede echarse a perder o se puede producir un incendio que ocasiona pérdidas materiales o lesiones. Al asar carnes grasosas, se debe usar la graduación más baja de la parrilla. No obstante, recomendamos usar la posición más baja en todo momento. Mantenga siempre la puerta del horno cerrada cuando esté asando a la parrilla. Al terminar, pase el selector a la posición de apagado y retire la bandeja de asar para limpiarla. No utilice la sección de la parrilla para almacenar utensilios de cocina.



Circulación de aire en el horno

- Para cocinar los alimentos de forma uniforme, el aire caliente debe poder circular.
- Para obtener una mejor circulación del aire y una buena cocción, deje un espacio de 5 cm alrededor del utensilio para el horno y cerciórese de que las cazuelas y los utensilios para el horno no se tocan entre ellos, ni con la puerta, las paredes o el fondo del horno.
- El aire caliente debe circular alrededor de las cazuelas y los utensilios del horno, para que los alimentos se calienten de manera uniforme.

NUMERO DE CAZUELAS	POSICIÓN EN LA BANDEJA
1	Centro del bandeja
2	Ligeramente tambaleado

CUIDADOS Y LIMPIEZA

- Si necesita retirar la cocina para limpiarla o darle mantenimiento, corte el suministro de gas.
- Desconecte el suministro de electricidad y de gas.
- Si no puede llegar hasta el suministro de gas o de electricidad, levante ligeramente la unidad por la parte delantera y sepárela de la pared.
- Sepárela sólo lo necesario para desconectar el suministro eléctrico y de gas.
- Termine de mover la unidad para darle mantenimiento o limpiarla.
- Vuelva a instalarla, en orden inverso, asegurándose de nivelar la cocina y de chequear las conexiones de gas para detectar posibles fugas de gas.
- Lea las instrucciones sobre cómo fijar la unidad para evitar que se vuelque

Panel de control y perillas:

- Antes de limpiar el panel de control asegúrese que los controles estén en posición de apagado. Límpiolo con una toalla y con agua jabonosa caliente. Elimine los residuos y seque cuidadosamente. El exceso de agua dentro y alrededor de los controles podría causar daños a la estufa. Asegúrese de eliminar totalmente los limpiadores para evitar la formación de manchas que con el tiempo se harán difíciles de limpiar.
- Las perillas pueden ser retiradas del panel de control para facilitar su limpieza. Para quitarlas, júelas con fuerza hacia fuera del vástago. Lávelas con una toalla y con agua de jabón caliente. Enjuague bien.
- Para reposicionar las perillas, haga coincidir el lado plano de la cavidad de la perilla con el lado plano del eje del control. Luego, solo presione la perilla hacia adentro.

Parrillas del horno:

- Para que las parrillas se deslicen con mayor facilidad, aplique una pequeña cantidad de aceite vegetal o aceite de cocina a una toalla de papel y limpie los bordes de las parrillas con esta.

Bandeja para asar:

- Retire del horno la bandeja para asar después de haberla utilizado y deposite con cuidado la grasa sobrante en un recipiente adecuado.
- Lave y enjuague la bandeja utilizando agua caliente con jabón y restriégue con una esponja.
- Si algún alimento se ha quemado en la superficie, rocíelo con detergente mientras está caliente y tápelo con una toalla de papel húmeda o un paño de cocina. Al remojar la bandeja se podrían eliminar los alimentos quemados.
- También se puede utilizar una solución de agua y vinagre.
- No utilice limpiadores de horno, limpiadores en polvo, almohadillas de virutas metálicas o abrasivos ásperos sobre las superficies.
- Para salpicaduras o derrames más difíciles puede ser necesario utilizar un limpiador abrasivo suave.

Para quitar/cambiar el cajón de almacenamiento:

- Tire del cajón hasta que se detenga.
- Levántelo por el asa y tire de él hasta sacarlo.
- Para volverlo a poner, siga los pasos anteriores en orden inverso.

LIMPIEZA DE LOS CONTORNOS, LAS TAPAS Y LOS DIFUSORES DE LOS QUEMADORES

Los contornos, las tapas y los difusores de los quemadores deben limpiarse con frecuencia. Si mantiene limpias las conexiones de los quemadores, evitará una ignición inadecuada y una llama no uniforme. Para limpiar los huecos y los contornos de la encimera:

- Si se derrama algún alimento encima o dentro de los huecos o los contornos de la encimera, límpiolo con un trapo absorbente. Pase luego un trapo limpio y húmedo y séquelo.

Para quitar y volver a colocar las tapas y los difusores de los quemadores; Quite las piezas en este orden:

- 1) **Rejillas de los quemadores**
- 2) **Tapas de los quemadores, y**
- 3) **Difusores de los quemadores.**

- Siga el proceso a la inversa para volver a colocar las tapas y los difusores de los quemadores
- Use un estropajo relleno con jabón o un producto de limpieza abrasivo suave, para limpiar las tapas y los cabezales de los quemadores de arriba. Las aberturas o ranuras de los cabezales de los quemadores se deben limpiar regularmente. Si quedan residuos en dichas aberturas, use un alambre fino o una aguja para limpiar las ranuras u orificios.
- Para asegurar el flujo apropiado de gas y la buena combustión en el quemador, evite que se produzcan derrames, o que caigan alimentos, productos de limpieza o cualquier otro material dentro del orificio de salida de gas. Mantenga siempre la tapa del quemador de superficie y el cabezal del quemador de superficie en su lugar, cuando el quemador esté funcionando.

LA TAPA DE LA COCINA NO SE PUEDE DESMONTAR. NO INTENTE QUITAR NI LEVANTAR LA TAPA DE LA COCINA.

Superficie del horno:

- Los inyectores de los quemadores deben mantenerse limpios para permitir una buena combustión y mantener la llama de un tamaño adecuado. Límpiolos diariamente con un alambre o una aguja, principalmente cuando se produzcan derrames que podrían obstruirlos.
- Para lavar las tapas y los quemadores, sumérjalos en agua caliente durante 30 o 40 minutos, cepíllelos y asegúrese de eliminar cualquier residuo. Enjuague y seque con una toalla limpia.

Cavidad del horno:

- No use productos de limpieza para hornos, productos de limpieza en polvo, estropajos de acero, almohadillas de fibra sintética ni ningún otro material que pueda dañar el acabado de la superficie.
- Para limpiar el fondo del horno, levante ligeramente el elemento calefactor. Esto le dará un mejor acceso al fondo del horno para limpiarlo. No levante la resistencia a más de 4 o 5 pulgadas de su posición normal.
- Limpie con agua jabonosa tibia; enjuague y seque con un paño suave seco.

CUIDADOS Y LIMPIEZA (cont'd)

Quitar la puerta del horno:

La puerta del horno se puede quitar para su limpieza.

Cómo quitarla:

- Abra la puerta del horno hasta su posición de máxima apertura.
- Levante las horquillas localizadas en los soportes de las bisagras y engánchelos en los brazos de las bisagras. Después aplique una pequeña presión en la puerta hacia abajo para enganchar completamente las horquillas a los ganchos de los brazos.
- Sujete la puerta por los lados; jale la puerta hacia usted para soltar las bisagras de los soportes. Continúe jalando la puerta y gire el lado superior de la puerta hacia la estufa para soltar completamente las bisagras de los soportes.

Cómo instalarla:

- Para instalar la puerta del horno siga de forma contraria los pasos indicados arriba. Asegúrese que las bisagras estén introducidas completamente en los soportes antes de desenganchar las horquillas.

Para limpiar la puerta interna:

- Utilice agua y jabón. Para salpicaduras o derrames más difíciles puede ser necesario utilizar un limpiador abrasivo suave.

Para limpiar la puerta exterior:

- Utilice agua y jabón para limpiar el lado superior, el lado inferior, los costados y el frente de la puerta del horno. Enjuague bien.
- Elimine las gotas de agua en las ranuras de ventilación.

¡PRECAUCIÓN! Tenga cuidado, al volver a colocar la tapa del quemador, de no dañar el electrodo. De hacerlo, el quemador podría tardar más en encenderse o no llegar a encenderse.

¡PRECAUCIÓN! Cualquier complemento, cambio o conversión necesarios para cumplir satisfactoriamente los requisitos del aparato deben ser realizados por un distribuidor autorizado o una agencia calificada.

ANTES DE LLAMAR AL SERVICIO TÉCNICO

Antes de llamar al centro de reparaciones, revise la siguiente lista de fallas y sus soluciones. Si ninguna de estas sugerencias resuelve el problema, llame a la LÍNEA GRATUITA del servicio de atención al cliente de Danby: 1-800-26-**Danby**®

PROBLEMA	POSIBLE CAUSA	SOLUCIÓN
1) Los quemadores no se encienden	<ul style="list-style-type: none"> • El mando de control del quemador no se ha girado bien. • Las conexiones del quemador están atascadas. • El cable de corriente de la cocina está desenchufado. • Corte de suministro eléctrico. 	<ul style="list-style-type: none"> • Presione y gire el mando de control del quemador hasta que el quemador se encienda, ajústelo al tamaño de llama deseado. • Con el quemador apagado, utilice un alambre fino o una aguja para limpiar las conexiones. • Asegúrese de enchufar bien el cable a la toma de corriente. <p>Los quemadores se pueden encender manualmente. Compruebe las luces de la casa para cerciorarse. Llame al servicio técnico de la compañía eléctrica.</p>
2) La llama del quemador se enciende sólo a la mitad	<ul style="list-style-type: none"> • Las conexiones del quemador están atascadas. • Queda humedad después de la limpieza 	<ul style="list-style-type: none"> • Con el quemador apagado, utilice un alambre fino o una aguja para limpiar las conexiones. • Avive suavemente la llama y deje que siga funcionando el quemador hasta completarse la llama. Seque bien los quemadores.
3) La llama del quemador es naranja	<ul style="list-style-type: none"> • Hay partículas de polvo en la línea principal • En zonas costeras, es inevitable que la llama sea levemente anaranjada debido a la presencia de sal en el aire. 	<ul style="list-style-type: none"> • Deje que el quemador funcione durante unos minutos, hasta que la llama se ponga azul. • Es normal.
4) Mal resultado al asar	<ul style="list-style-type: none"> • Hay muchos factores que afectan a la cocción • Asegúrese de que la llave de paso reguladora está abierta 	<ul style="list-style-type: none"> • Asegúrese de que la bandeja está en la posición adecuada. Centre los alimentos en el horno y espacie los recipientes para que circule el aire. Precaliente el horno hasta la temperatura deseada antes de introducir los alimentos. Intente ajustar la temperatura recomendada de las recetas o el tiempo de cocción. • Consulte las Instrucciones de instalación.
5) Hay llamas dentro del horno o sale humo de la ventilación	<ul style="list-style-type: none"> • Es muy probable que salga humo del horno si se ha derramado algo dentro 	<p>Es normal, especialmente a temperaturas altas, que se desborden las tartas o haya gran cantidad de grasa en la parte inferior del horno. Limpie de inmediato cualquier alimento que se desborde.</p>
6) Sale demasiado humo del horno al gratinar	<ul style="list-style-type: none"> • La carne está demasiado cerca del quemador de gratén. • La carne no está bien preparada. • Hay que limpiar la bandeja para gratinar. • La bandeja para gratinar está abierta. 	<ul style="list-style-type: none"> • Recolecte la bandeja para dejar más espacio entre la carne y el gratinador. Elimine el exceso de grasa de la carne. • Recorte los bordes de grasa para evitar que se ondule, pero no llegue a cortar la carne magra. • El exceso de humo tiene su origen en una acumulación de grasa o en salpicaduras de comida. Si el gratinador se utiliza a menudo, límpielo periódicamente. • La puerta del cajón debe cerrarse durante el gratinado.
7) La puerta del horno está inclinada	<ul style="list-style-type: none"> • La puerta está fuera de su sitio. 	<ul style="list-style-type: none"> • Dado que la puerta del horno es extraíble, a veces no queda bien colocada durante la instalación. Para enderezarla, consulte el apartado "Cuidado y limpieza" de este manual.



COCINAS DE GAS GARANTÍA LIMITADA

Este producto de calidad está garantizado contra defectos de fabricación, incluyendo partes y mano de obra, siempre y cuando la unidad se utilice bajo las condiciones normales de funcionamiento para las que fue diseñado.

Esta garantía está solamente disponible para la persona que haya comprado originalmente esta unidad directamente de Danby o uno de sus distribuidores autorizados, y no es transferible.

CONDICIONES DE LA GARANTÍA

Las piezas plásticas, se autorizan por treinta (30) días solamente a partir de la fecha de la compra, sin las extensiones proporcionadas.

Primeros 12 Meses Durante los primeros 12 meses, cualquier parte funcionando por el gas de este producto que resulte defectuosa, a opción del fabricante, sin cargo para el comprador ORIGINAL.

Para obtener Danby se reserva el derecho de limitar la cobertura de "Servicio en Domicilio" sujeto a la proximidad de un Taller de Servicio Autorizado. *Para todo artefacto que requiera servicio fuera del área limitada de "Servicio en Domicilio", el cliente será responsable por transportar* dicho artefacto hasta el Taller de Servicio Autorizado más cercano. Comuníquese con el distribuidor donde haya comprado la unidad, o llame al Taller de Servicio Autorizado más cercano, donde debe ser reparada por un técnico calificado. Si esta unidad es reparada en otro lugar que no sea un Taller de Servicio Autorizado, o si la unidad se utiliza para aplicaciones comerciales, Danby no se hará responsable de ninguna forma y la garantía será anulada.

Nada dentro de esta garantía implica que Danby será responsable por cualquier daño que hayan sufrido los alimentos u otros contenidos de este aparato, ya sea debido a un defecto del aparato, o su uso, adecuado o inadecuado.

EXCLUSIONES

Salvo lo aquí indicado por Danby Products Limited (Canada) o por Danby Products Inc. (U.S.A.), no existen otras garantías, condiciones o representaciones, explícitas o implícitas, concretas o intencionales por parte de Danby Products Limited o sus distribuidores autorizados y todas las demás garantías, condiciones o representaciones, incluyendo cualquier garantía, condiciones o representaciones bajo cualquier Acta de Venta de Productos o legislación o estatuto similar, quedan de esta forma expresamente excluidas. Salvo lo aquí indicado, Danby Products Limited (Canada) o Danby Products Inc. (U.S.A) no serán responsables por ningún daño a personas o bienes, incluyendo la propia unidad, sin importar su causa, o de ningún daño indirecto causado por el desperfecto de la unidad, y al comprar esta unidad, el comprador acepta por la presente, indemnizar y proteger a Danby Products Limited contra cualquier reclamo por daños a personas o bienes causados por la unidad.

CONDICIONES GENERALES

No se considerará ninguna de estas garantías o seguros cuando el daño o la necesidad de reparación sea el producto de los siguientes casos:

- 1) Falla del suministro eléctrico.
- 2) Daños en tránsito o durante el transporte de la unidad.
- 3) Alimentación incorrecta, como bajo voltaje, instalación eléctrica defectuosa o fusibles inadecuados.
- 4) Accidente, modificación, abuso o uso incorrecto del artefacto, tal como insuficiente ventilación del ambiente o condiciones de operación anormales (temperatura ambiente extremadamente alta o baja).
- 5) Utilización comercial o industrial.
- 6) Incendio, daños por agua, robo, guerra, disturbios, hostilidades, actos de fuerza mayor como huracanes, inundaciones, etc.
- 7) Pedidos de servicio debido a desinformación del usuario.

Para acceder a la garantía se solicitará un comprobante de compra; por lo tanto, guarde su recibo. En caso de necesitar servicio de garantía, presente ese documento al TALLER DE SERVICIO AUTORIZADO.

Servicio de Garantía

Ensu Domicilio - La instalación y/o la conversión no cubrieron bajo garantía

Danby Products Limitée
PO Box 1778, Guelph, Ontario, Canadá N1H 6Z9
Teléfono: (519) 837-0920 Fax: (519) 837-0449

01/09

Danby Products Inc.
PO Box 669, Findlay, Ohio, U.S.A. 45839-0669
Teléfono: (419) 425-8627 FAX: (419) 425-8629

BIENVENUE

Merci de choisir une Culinière gaz de Danby. Enregistrez dans l'espace fourni au-dessous du numéro de type et du numéro de série de cet appareil. Ces nombres sont trouvés du plat périodique situé au-dessous du cooktop.

Numéro de Modèle: _____ Numéro de Type _____

Numéro de Serie: _____ Date d'achat: _____

Enregistrez ces nombres pour le futur usage.

IMPORTANT : conservez une copie de votre facture d'achat. La date figurant sur la facture détermine la période de garantie, dans le cas où un entretien serait nécessaire. Si un entretien est effectué, il est dans votre intérêt d'obtenir et de conserver tous les reçus.

NOUS VOUS PRIONS DE VOUS CONFORMER À CE QUI SUIT DÈS MAINTENANT :
Remplissez intégralement la FICHE D'INSCRIPTION DU PRODUIT ; signez-la et renvoyez-la. Ces informations serviront à enregistrer votre produit et, au besoin, à nous aider à rapidement vous servir à l'avenir.



AVERTISSEMENT : si les instructions figurant dans le présent manuel ne sont pas suivies, un incendie ou une explosion risque de se produire, occasionnant des dommages matériels, des blessures, voire la mort.

CONSIGNES DE SÉCURITÉ IMPORTANTES

Ne conservez et n'utilisez ni essence, ni vapeurs ou substances liquides inflammables à proximité de cet appareil ou de tout autre appareil.

QUE FAIRE SI VOUS DÉTECTEZ UNE ODEUR DE GAZ DANS L'AIR :

- Ne mettez aucun appareil en marche, quel qu'il soit.
- Ne touchez à aucun interrupteur électrique; n'utilisez aucun téléphone dans le bâtiment où vous vous trouvez.
- Appelez immédiatement votre fournisseur de gaz à partir d'un bâtiment du voisinage. Suivez les consignes du fournisseur de gaz.
- Si vous ne pouvez joindre votre fournisseur de gaz, appelez le service des incendies.


L'installation et l'entretien doivent être effectués par un installateur, un intermédiaire de service ou un fournisseur de gaz agréé.

AVANT PREMIÈRE UTILISATION

- Éliminez tous les rubans et tout le papier d'emballage avant d'utiliser le four. S'il reste de la colle, appliquez la face collante du ruban d'emballage contre le résidu de colle ou utilisez un chiffon imprégné d'alcool à friction. Faites preuve de prudence car l'alcool à friction est inflammable. Rincez à l'eau chaude et essuyez.
- Éliminez l'emballage en carton et les sacs en plastique après avoir déballé la cuisinière. Il n'est pas recommandé de laisser les enfants jouer avec les matériaux qui ont servi à l'emballage. Les emballages en carton recouverts de morceaux de tapis, de courtepointe ou de plastique en feuilles peuvent priver d'air une personne qui s'en recouvre la tête. Retirez toutes les broches de l'emballage en carton. Les broches peuvent causer de graves entailles et abîmer les finis si elles entrent en contact avec des appareils électro-ménagers ou des meubles.
- Soyez alerte et prudent. La préparation d'aliments dans un four nécessite des températures pouvant occasionner de graves brûlures. Avant d'utiliser cet appareil électro-ménager ou tout autre appareil, lisez soigneusement toutes les directives et respectez-les.

INSTALLATION APPROPRIÉE

- Assurez-vous que votre appareil est bien installé et mis à la terre par un technicien agréé, conformément à la norme ANSI Z223 du National Fuel Gas Code. – dernière édition, ou du Canada CAN/CGA B149.1, et du CAN/CGA B149.2, et la dernière édition (N° 70) de la norme ANSI du Code national de l'électricité (National Electrical Code) ou de la NFPA, ou de la norme C22.1 de l'Association canadienne de normalisation (CSA), Code canadien de l'électricité, Partie 1, et aux exigences des codes locaux. N'installez la cuisinière que selon les directives d'installation indiquées dans le présent manuel d'utilisation et d'entretien du propriétaire. Assurez-vous que les pieds de mise à niveau sont en place dans les coins inférieurs de la cuisinière. Au besoin, augmentez ou abaissez les pieds de mise à niveau situés à la base de la cuisinière en les tournant dans le sens horaire ou antihoraire afin de mettre celle-ci à niveau.
- Demandez à votre distributeur de vous recommander un technicien agréé ou un service de réparation autorisé. Demandez au technicien de vous indiquer les endroits où se trouve le robinet d'arrêt manuel des gaz ou le compteur de gaz, s'il est nécessaire en cas d'urgence de bloquer l'approvisionnement des gaz vers l'appareil.

 **AVERTISSEMENT : le non-respect des directives concernant les situations suivantes peut entraîner des dommages matériels, des blessures, voire la mort.**

• AFIN D'ÉVITER QUE LA CUISINIÈRE BASCULE, CELLE-CI DOIT ÊTRE BIEN FIXÉE À L'AIDE D'UN CROCHET ANTI-BASCULE FOURNI AVEC LA CUISINIÈRE. AFIN DE VÉRIFIER SI LE DISPOSITIF EST BIEN INSTALLÉ ET ENCLENCHÉ, BASCULEZ DOUCEMENT LA CUISINIÈRE VERS L'AVANT. LE DISPOSITIF ANTIBASCULE DEVRAIT S'ENCLENCHER AFIN D'EMPÊCHER LA CUISINIÈRE DE BASCULER. REPORTEZ-VOUS À LA SECTION DES DIRECTIVES SUR L'INSTALLATION APPROPRIÉE DU CROCHET ANTI-BASCULE.

- Ne laissez jamais un enfant seul ou sans surveillance dans la zone où un appareil électro-ménager est utilisé. Il ne faut jamais permettre aux enfants de s'asseoir ou de se tenir sur quelque partie que ce soit de cet appareil. Ne laissez jamais la porte du four ouverte lorsque la cuisinière se trouve hors de votre vue.
- Ne conservez pas d'articles auxquels les enfants sont susceptibles de s'intéresser dans les armoires situées au-dessus de la cuisinière ou sur son dossier. Les enfants qui grimpent sur la cuisinière pour atteindre les articles en question risquent de subir de graves blessures.

CONSIGNES DE SÉCURITÉ IMPORTANTES (suite)

- Ne permettez pas aux enfants de grimper sur la cuisinière ou de jouer à proximité. Le poids d'un enfant sur la porte du four ouverte peut faire basculer la cuisinière, entraînant ainsi de graves brûlures ou d'autres blessures.
- **ENTRETIEN EFFECTUÉ PAR L'UTILISATEUR** : ne réparez et ne remplacez aucune pièce de l'appareil à moins que cela ne soit expressément recommandé dans le présent manuel du propriétaire. Tous les autres entretiens ne doivent être effectués que par un technicien agréé. Cela afin de réduire le risque de blessures et de dommages à la cuisinière.
- Rangement à l'intérieur de l'appareil ou sur celui-ci : les matériaux inflammables ne doivent pas être installés dans un four, près des éléments chauffants du dessus de la cuisinière, ou dans le tiroir d'entreposage.

Ceci comprend les articles en papier, en plastique et en tissu, tels que les livres de recettes, les ustensiles en plastique et les serviettes, ainsi que les substances liquides inflammables. N'utilisez pas le four comme d'un endroit pour ranger vos articles. N'entrez pas de matières explosives, telles que des bombes aérosol, près de la cuisinière ou sur celle-ci.

- Lorsque la cuisinière n'est pas utilisée, par exemple s'il faut la mettre au rebut ou l'entreposer, la porte du four doit être retirée.
- Le fait de se tenir, de s'appuyer ou de s'asseoir sur les portes ou sur le tiroir d'entreposage de cette cuisinière peut l'endommager et entraîner de graves blessures.



AVERTISSEMENT : les situations suivantes sont susceptibles d'entraîner des dommages matériels ou des blessures.

NOTES IMPORTANTES DE SÉCURITÉ

- Ne touchez pas aux brûleurs du dessus de la cuisinière, ni à ceux du four, ni aux surfaces intérieures de ce dernier, ni à celles autour des brûleurs du dessus de la cuisinière. Ces brûleurs ainsi que ceux du four peuvent être très chauds même si aucune flamme n'est visible. Les zones à proximité des brûleurs du dessus de la cuisinière peuvent devenir très chaudes et occasionner des brûlures. Pendant l'utilisation de la cuisinière ou après, ne touchez pas à ces zones et ne laissez aucun vêtement ni aucun matériau inflammable les toucher jusqu'à ce qu'elles aient suffisamment refroidi. On compte parmi les zones à éviter la surface de cuisson, les surfaces opposées, les orifices de ventilation et les surfaces à proximité, ainsi que la porte et les fenêtres du four.
- N'utilisez jamais votre appareil pour réchauffer la pièce. Faire fonctionner votre cuisinière sans que des ustensiles de cuisson ou des contenants absorbent la chaleur de l'appareil risque d'endommager la surface, les boutons et les commandes.
- Portez des vêtements appropriés : il n'est jamais recommandé de porter des vêtements amples ou qui ne sont pas bien ajustés pendant que vous utilisez l'appareil. Ne laissez pas les vêtements ni d'autres matériaux inflammables entrer en contact avec les éléments chauffants du dessus de la cuisinière ou avec les surfaces intérieures du four jusqu'à ce que les éléments ou les surfaces en question aient suffisamment eu le temps de refroidir.
- Ne modifiez pas le cadre de la cuisinière. N'éliminez pas les pieds de mise à niveau, les couvre-fils, les crochets anti-bascule et toute autre pièce faisant intégralement partie du produit de manière permanente.
- Lorsque vous faites chauffer du gras ou de la graisse, surveillez la cuisinière de près. Le gras ou la graisse peut prendre feu à très haute température.
- N'utilisez ni eau ni farine pour éteindre les incendies de graisse. Etouffez les flammes en recouvrant l'ustensile de cuisson d'un couvercle, de bicarbonate de soude, ou encore servez-vous de poudre extinctrice ou d'un extincteur à mousse.
- N'utilisez que des poignées sèches. Le contact des poignées mouillées ou humides avec des surfaces chaudes pourraient entraîner la formation de vapeur, d'où la possibilité de brûlures. Faites en sorte d'éviter que les poignées entrent en contact avec des zones très chaudes. N'utilisez pas de serviette ni d'autre chiffon encombrant en lieu et place d'une poignée.
- Ne perdez jamais de vue les éléments chauffants du dessus de la cuisinière. Les déversements peuvent causer la formation d'émanations et les dépôts graisseux peuvent s'enflammer. Un ustensile de cuisson peut également fondre quand son contenu s'est évaporé.

- Servez-vous d'une flamme dont la hauteur est appropriée. Réglez la hauteur afin que la flamme ne dépasse pas le rebord de la batterie de cuisine. L'utilisation d'une batterie de cuisine dont la dimension est inférieure à celle du brûleur aura pour effet d'exposer une partie de la flamme du brûleur et risquera de causer de graves brûlures ou de faire en sorte que la flamme entre en contact avec les vêtements et provoque leur embrasement. De plus, une bonne correspondance entre la batterie de cuisine et le brûleur améliore l'efficacité.
- N'utilisez aucune feuille d'aluminium pour recouvrir le fond du four, sauf si cela est suggéré dans la section relative au nettoyage figurant dans le présent manuel. L'utilisation inappropriée de feuilles d'aluminium peut constituer un risque d'incendie. La feuille peut également interférer avec la circulation de la chaleur et endommager la cuisinière.
- Disposition de grille du four : placez toujours la grille du four à l'endroit désiré pendant que le four n'est pas chaud. S'il faut retirer la grille pendant que le four est chaud, servez-vous de poignées et agrippez la grille des deux mains pour la déplacer. Évitez que les poignées n'entrent en contact avec les parois du four chaud. Retirez l'ensemble de la batterie de cuisine placée sur la grille avant de déplacer la cuisinière.
- Ne réchauffez pas de contenants alimentaires qui ne sont pas ouverts. L'accumulation de la pression peut entraîner l'explosion du contenant et occasionner des blessures.
- Le fonctionnement adéquat du brûleur de la cuisinière nécessite un apport d'air frais. Ne bloquez pas la circulation d'air autour de la base ou sous le panneau inférieur avant de la cuisinière.
- Faites preuve de prudence lorsque vous ouvrez la porte du four. Placez-vous au côté du four pour ouvrir la porte. Ouvrez lentement la porte pour permettre à l'air chaud ou à la vapeur de s'échapper avant de retirer des aliments ou de les replacer au four.
- Sachez quels boutons correspondent à quel brûleur. Placez des aliments dans leur ustensile de cuisson sur le brûleur avant d'allumer celui-ci, et fermez-le avant de retirer l'ustensile de cuisson. Pour allumer les brûleurs supérieurs, tournez toujours les boutons correspondants à la position LÉGER (LITE). Puis réglez la taille de la flamme, de sorte qu'elle ne dépasse pas le rebord de la batterie de cuisine.
- Les poignées de la batterie de cuisine doivent être tournées vers l'intérieur et ne pas approcher des éléments chauffants afin de réduire le risque de brûlures, d'embrasement des matériaux inflammables, et de déversement en raison d'un contact accidentel.
- Ne placez pas vos mains entre la charnière de tension du ressort et le cadre de la porte du four lorsque vous retirez celle-ci. Vous risqueriez de vous pincer les doigts.

CONSIGNES DE SÉCURITÉ IMPORTANTES (suite)

NOTES IMPORTANTES DE SÉCURITÉ

- Laisser refroidir les pièces à température ambiante avant de les toucher ou de les retirer de la cuisinière. Lorsqu'un élément chauffant du dessus de la cuisinière vient d'être éteint, il est possible qu'il soit suffisamment chaud pour causer des brûlures.
- Nettoyez régulièrement la cuisinière pour que toutes les pièces soient exemptes de gras ou de graisses susceptibles de prendre feu. Les hottes d'aspiration des ventilateurs d'évacuation et les filtres à graisses doivent faire l'objet d'un nettoyage régulier. Ne permettez pas au gras ou à la graisse de s'accumuler. Les dépôts graisseux présents dans le ventilateur risquent de s'embraser. Reportez-vous aux directives du fabricant de la hotte concernant le nettoyage.
- Batterie de cuisine émaillée : seules des batteries comportant certains types de verre, une combinaison de verre et de céramique, des batteries fabriquées uniquement en céramique, en faïence ou encore d'autres batteries de cuisine émaillées conviennent au service sur la cuisinière sans danger qu'elles s'abîment, en raison d'une variation soudaine de la température. Vérifiez les recommandations du fabricant de la batterie de cuisine pour utilisation sur le dessus de la cuisinière.
- Ne placez ni poivrières ni salières en plastique, ni porte-cuillers, ni emballages en plastique sur le dessus de la cuisinière. Ces articles pourraient fondre ou prendre feu.
- N'utilisez aucune serviette encombrante, aucun chiffon ou tablier humide lorsque vous manipulez les casseroles et les ustensiles de cuisson. Utilisez toujours des mitaines ou des poignées sèches afin de prévenir les accidents.
- Ne vous servez pas d'un wok muni d'un anneau métallique qui s'étend au-delà du brûleur. Étant donné que cet anneau emprisonne la chaleur, l'élément chauffant et la grille pourraient être endommagés.
- Raccords flexibles : si la cuisinière ou le four sont alimentés en gaz au moyen d'un raccord métallique flexible, déplacez-les en faisant preuve de PRUDENCE lors de l'entretien ou du nettoyage. Les raccords flexibles ne sont pas destinés à être pliés à plusieurs reprises. Évitez que les agents nettoyants n'entrent en contact avec les raccords flexibles. Le raccord et ses accessoires de canalisation sont conçus pour n'être utilisés qu'avec l'installation d'origine et ne doivent pas être réutilisés pour un autre appareil ou à un autre endroit.
- Il est recommandé d'avoir un extincteur convenable dans chaque foyer dans l'éventualité d'un incendie.
- Débranchez la cuisinière de l'alimentation électrique avant d'en effectuer l'entretien ou de la déplacer.

REMARQUE : les directives figurant dans le présent manuel du propriétaire ne sont pas destinées à prévoir toutes les situations et tous les états du matériel possibles. Il faut faire preuve de prudence et démontrer un sens pratique lors de l'exploitation et de l'entretien de tout appareil.

SUGGESTIONS ÉCONOMISER D'ÉNERGIE

Cuisson au dessus de la cuisinière

- Utilisez des couvercles lorsque vous préparez des aliments sur le dessus de la cuisinière. Un couvercle emprisonne la vapeur qui est utilisée pour accélérer le processus de cuisson. Si vous possédez un autocuiseur ou une étuveuse à légumes, utilisez-les. Vous économiserez du temps et couperez sur la facture d'énergie.
- Utilisez des ustensiles de cuisson de poids moyen, dont le fond est plat. Optez pour des ustensiles de cuisson métalliques qui conduisent bien la chaleur.
- Lorsque vous préparez des aliments sur un brûleur du dessus de la cuisinière, utilisez aussi peu d'eau que possible afin de limiter la durée de la cuisson.

Cuisson au four :

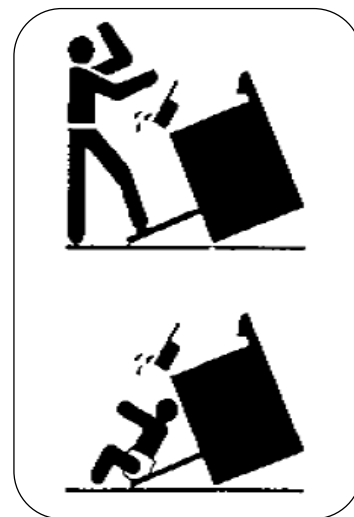
- Ne chauffez le four à l'avance que si une recette l'exige. Mettez les rôtis et les cocottes au four lorsqu'il est froid, puis allumez-le.
- Le fait d'ouvrir fréquemment la porte du four pour vérifier la cuisson des aliments gaspille de l'énergie.
- Utilisez le four pour préparer des repas complets. Par exemple, commencez en introduisant un rôti dans le four, ajoutez des légumes lorsque la viande est mi-cuite, puis réchauffez des rouleaux ou un dessert une fois la cuisson des plats principaux terminée.
- Décongelez les aliments surgelés avant de les faire cuire. Il faut moins d'énergie pour faire cuire des aliments décongelés que congelés.
- Prenez l'habitude d'éteindre le four avant de retirer les aliments cuits.

INSTRUCTIONS D'INSTALLATION

Veillez à ce que l'appareil soit correctement installé et mis à la terre par un technicien agréé. Il incombe à ce dernier de s'assurer que votre cuisinière est correctement installée. Les problèmes causés par une installation incorrecte ne sont pas couverts par la garantie. Toute dépense encourue relative à ces problèmes ne fera pas l'objet d'un remboursement de la part du fabricant de l'appareil.

⚠ AVERTISSEMENT : afin de réduire le risque que l'appareil ne bascule en raison d'une utilisation anormale ou du chargement incorrect de la porte, l'appareil doit être bien fixé à l'aide du dispositif anti-bascule fourni avec l'appareil. Afin de vérifier si le dispositif est bien installé et enclenché, basculez doucement la cuisinière vers l'avant. LE DISPOSITIF ANTI-BASCULE DEVRAIT S'ENCLANCHER AFIN D'EMPÊCHER LA CUISINIÈRE DE BASCULER.

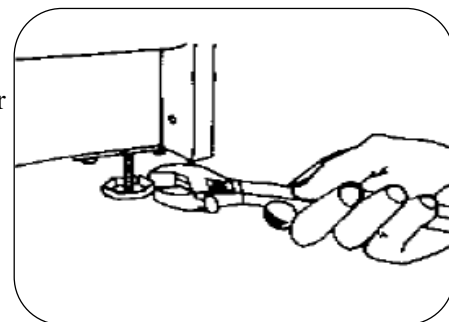
Si cette cuisinière est déplacée pour quelque raison que ce soit, pour en effectuer l'entretien ou pour une réparation, etc. elle doit être remise en place de la manière décrite dans les directives sur l'installation, avant d'être remise en marche.



MISE À NIVEAU D'UNE CUISINIÈRE AUTOSTABLE

Il est nécessaire à toutes les cuisinières autostables d'être au niveau afin d'obtenir un fonctionnement optimal du point de vue culinaire. Les pieds de mise à niveau doivent être vissés dans les supports en cornière. Déposez un niveau, ou une tasse à mesurer ou un ustensile de cuisson en partie rempli d'eau, sur la grille du four. Réglez les pieds de mise à niveau jusqu'à ce que la cuisinière soit à niveau. La partie supérieure des panneaux latéraux doit être alignée avec le dessus du comptoir ou de la surface de travail.

IMPORTANT : assurez-vous de conserver les vérins des pieds. Il est très important de mettre la cuisinière à niveau.



RACCORDS DE GAZ

Demandez au distributeur du magasin où vous avez acheté votre nouvelle cuisinière de l'installer ou de vous recommander un installateur agréé. L'installation doit être conforme aux codes locaux. Il faut brancher la cuisinière à la canalisation d'alimentation à l'aide d'un tuyau en fer noir de 1/2 po ou d'un raccord flexible homologué et conçu exprès pour le four. Pour prévenir les fuites de gaz, appliquez un produit d'étanchéité approuvé, qui résiste aux gaz liquéfiés, sur tous les raccords filetés.

IMPORTANT : n'appliquez aucune pression directe sur le tuyau de la rampe de la cuisinière lors du serrage des canalisations d'alimentation. La canalisation d'alimentation doit être bien fixée au régulateur de pression afin de l'empêcher de se tordre. Maintenez le régulateur de pression avec une clé quand vous serrez le raccord, sinon le tuyau de la rampe peut se tordre et se fendre, occasionnant ainsi une fuite dangereuse.

Remarque : l'installation de cuisinières conçues pour les maisons mobiles (fabriquées en usine) doit être conforme aux normes spécifiques et aux codes locaux. Vérifiez tous les raccords de tuyauterie de l'appareil pour détecter les fuites. N'utilisez jamais de flammes nues pour vérifier la présence de fuites de gaz. Il est possible que les raccords fabriqués à l'usine fuient en raison des vibrations subies pendant le transport. Faites réparer toute fuite que vous soupçonnez par un personnel agréé et autorisé à faire l'entretien de la cuisinière avant l'utilisation de cette dernière.

BRANCHEMENTS ÉLECTRIQUES

Votre cuisinière est mise à la terre au moyen d'un cordon d'alimentation à trois conducteurs (fiche à trois broches) lorsque la cuisinière est branchée dans une prise murale munie d'une mise à la terre correspondante.

- L'appareil doit être mis à la terre lors de son installation conformément aux codes locaux.

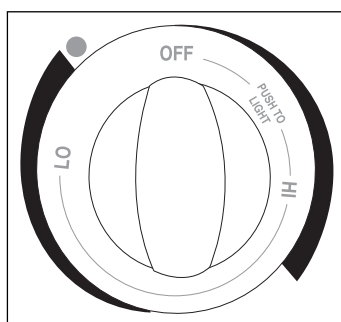
CONSIGNES D'UTILISATION

UTILISATION DE VOTRE CUISINIÈRE

Exploitation du brûleur supérieur :

Remarque – Lorsqu'on utilise la cuisson par ébullition, la température la plus élevée est celle du point d'ébullition. Quand le liquide commence à bouillir, diminuez la hauteur de la flamme jusqu'à atteindre la hauteur minimale qui permet de maintenir l'ébullition. Cela permettra d'économiser le gaz. Cela permettra également de réduire la possibilité de faire brûler les aliments ou de faire déborder le liquide qui bout, et aidera à garder la cuisine plus au frais. Utilisez une batterie de cuisine stable dont le fond est plat, et placez-la toujours sur la grille du brûleur avant d'allumer celui-ci. La batterie de cuisine instable dont le fond est arrondi n'offrira pas une bonne surface de contact avec la grille et cela affectera l'efficacité de la cuisson. Choisissez une batterie de cuisine suffisamment grande pour éviter le débordement, mais rappelez-vous, la batterie de cuisine surdimensionnée (dont le diamètre dépasse 8 1/2 po) peut altérer la couleur de la cuisinière ou faire écailler son fini. Les dommages occasionnés par une batterie de cuisine surdimensionnée, telle que celle utilisée parfois pour la mise en conserve, ne sont pas couverts par la garantie. Le fini a été fabriqué selon une norme commerciale acceptable et son état dépend du soin apporté par l'utilisateur.

FLAMME	TYPES DE CUISSON
Haut	Amorce de cuisson de la plupart des aliments; port de l'eau à ébullition; cuisson au grilloir.
Moyen	Maintien de la température au stade d'ébullition lente; épaississement des sauces, des jus; cuisson à la vapeur.
Bas	Cuisson des aliments, art de pocher les aliments, préparation de ragouts.



Pour allumer les brûleurs supérieurs, tournez toujours les boutons correspondants à la position **LEGER (LITE)**. Puis réglez la taille de la flamme, de sorte qu'elle ne dépasse pas le rebord de la batterie de cuisine. **Note:** Sachez quels boutons correspondent à quel brûleur. Placez des aliments dans leur ustensile de cuisson sur le brûleur avant d'allumer celui-ci, et fermez-le avant de retirer l'ustensile de cuisson.

Robinets du brûleur supérieur :

La hauteur de la flamme du brûleur supérieur doit être réglée de sorte qu'elle ne dépasse pas le rebord de la batterie de cuisine. Pour des raisons de sécurité, il est fortement recommandé que vous vous conformiez à ces directives. Un brûleur du dessus de la cuisinière dont la flamme est haute est inefficace et non sécuritaire. La flamme doit toujours être réglée de sorte qu'elle ne dépasse pas en largeur le fond de l'ustensile de cuisson. La hauteur de la flamme peut varier en raison des variations de la pression, d'une mauvaise position des brûleurs et de la présence de dommages ou de débris.

Préchauffage :

Chauffez le four à la température désirée avant de placer les aliments au four. Préchauffez pendant 10 à 12 minutes.

Ouverture de la porte du four :

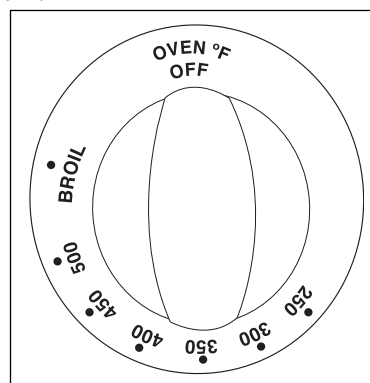
Faites évacuer l'air chaud ou la vapeur avant de retirer les aliments ou de les replacer.

Disposition de grille du four :

Le grille du four doivent être disposées comme il se doit avant que le four ne soit allumé. Dispose le grille de sorte que les aliments se trouvent au centre du four.

Choix de la température:

Il est important de choisir l'arrangement de température approprié. Ne placez jamais le cadran à un degré plus élevé que nécessaire, avec l'intention d'abaisser l'arrangement à un temps postérieur. Ceci n'accélérera pas la cuisson. Il peut faire faire un cycle plus lent et faire le four varier la température de sorte que la cuisson des résultats puisse être insuffisante. Votre four a une gamme de température de 250°F ~ 500°F.



Cuire:

En cuisant, suit les instructions de recette. L'usage corrique des ingrédients, les mesurer soigneusement, et utiliser le type et la taille correctes d'ustensiles de cuisine qui est suggéré dans la recette. Rappelé se préchauffer convenablement. Eviter l'ouverture fréquente de la porte de four pendant préchauffer et cuire. En cuisant des gâteaux dans verre cuire les plats, abaisser la température de four par 25°F si le fond et les côtés ne brûlent pas avant le dessus fins cuisinant. En outre, en employant le bakeware en verre, il vaudrait mieux d'augmenter l'heure de préchauffage d'assurer la stabilisation exacte de la température du four. Accordez 20 minutes pour les températures jusqu'à 350°F et 30 minutes pour les températures jusqu'à 425°F. Evitez d'ouvrir la porte autant que possible.

Grille du Four:

Le grille du four devraient être arrangés avant que le bouton de four soit tourné à une position de "ON" (marche). Place le grille ainsi la nourriture n'est centrée dans le four, pas le grille. Quand plus d'un plat est employé, soyez sûr de les chanceler, en permettant l'espace entre chacun. Ne laissez pas les plats toucher toute partie du four, particulièrement la fenêtre en verre.

Déplacement de Grille:

Tirez le grille de four en avant et soulevez vers le haut sur l'avant du support ainsi il dégagera le garde de grille. Pour remplacer le grille de four, guidez la partie arrière à angles du grille sous le garde de grille et glissez le grille à l'arrière. Ne couvrez jamais le grille de four de papier d'aluminium. De telles pratiques emprisonneront la chaleur et causeront la chaleur intense dans les taches qui donnent habituellement des résultats pauvres. Ceci peut endommager la finition de porcelaine comme les fenêtres en verre dans des portes de four.

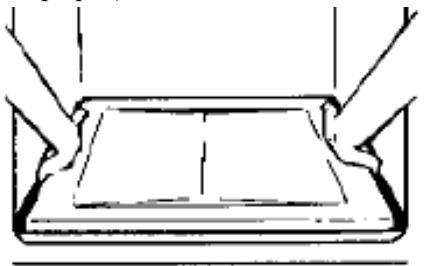
CONSIGNES D'UTILISATION (suite)

UTILISATION DE VOTRE CUISINIÈRE (suite)

Le fond détachable de four:

Premièrement enlever les grilles du four. Le fond de four soulève de l'arrière. Saisir chaque côté du fond de four et l'ascenseur en haut de l'arrière jusqu'à ce que le fond est clair. Soulevez-le pour enlever de l'avant. **NOTE :** Si le fond de four est remplacé inexactement il peut déformer et causer des résultats undesirable de cuire au four.

Le fond de four a une finition d'émail de porcelaine. Pour faciliter le nettoyage, protégez le fond de four contre les débordements excessifs. C'est particulièrement important en faisant en tarte de fruit ou d'autres nourritures avec le contenu à haute teneur en acide. Les garnitures chauds de fruit ou les nourritures qui sont acides dans le contenu, comme la tomate ou comme la choucroute, et les sauces avec le jus de vinaigre ou citron, peut causer des dommages à la surface d'émail en porcelaine. Pour protéger le fond de four, placez un morceau de papier d'aluminium légèrement plus grand que le plat de traitement au four sur le support ci-dessous pour attraper toutes les flaques. Ne devrait pas complètement couvrir le support car ceci causerait la chaleur inégale dans le four. Le papier d'aluminium ne devrait pas être placé sur le fond de four. Si une flaque se produit sur le fond de four, permettez au four de se refroidir d'abord. Vous pouvez nettoyer le fond du four avec de l'eau le savon et, d'un décapant modérément abrasif, des garnitures abrasives, ou d'un décapant de four (après des directions de paquet).



Compartiment de grilleur:

La casserole de grilleur est tenue en place par un support de grilleur de fil. Pour ouvrir le grilleur, soulevez doucement vers le haut et abaissez la porte de grilleur de baisse en avant. Tirez la casserole de grilleur en avant. Il atteindra un provisoire arrètent la position. Continuez à tirer en avant et la casserole de grilleur retirera pour exposer la surface entière de gril de grilleur. Enlevez la casserole de grilleur du support de grilleur par le levage vers le haut sur l'avant de la casserole de grilleur ainsi elle peut dégager la grille. Tirez alors en avant légèrement et utilisez les deux mains pour soulever la casserole exempte du support. Pour renvoyer la casserole au support de grilleur, tirez la grille à la position d'arrêt. Insérez la casserole dans la section enfoncée du support de grilleur. Glissez la casserole en place sous les arrêteurs de casserole. Poussez la casserole derrière le compartiment de grilleur. Fermez la porte de grilleur.

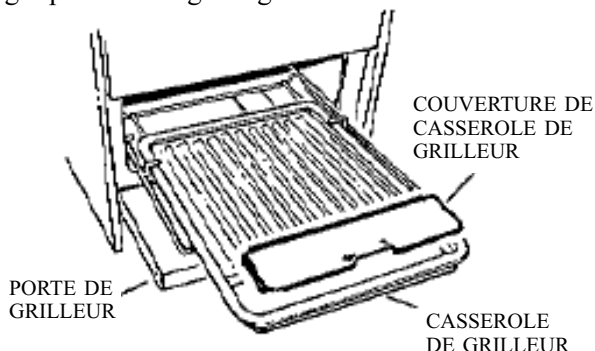
Grilleur d'économie :

Votre four peut être équipée de ce grilleur facultatif. L'aspect extérieur du four sera identique. Pour ouvrir la porte de grilleur, soulevez la poignée vers le haut légèrement pour libérer le crochet de porte et puis plus bas la porte. Dans la section de grilleur il y a deux positions de emboutir-dans des guides de support de four et une casserole et un gril de grilleur.

Quand vous voulez griller, prenez un des supports de four et insérez-le dans la position de guide de support. Après, placez la casserole de grilleur et le gril sur le support de four pour la cuisson sur le gril.

Griller: (gril pas inclus)

Préchauffer le secteur de gril et griller la casserole pour quelques minutes. Aucun temps défini peut être donné pour griller de viandes à cause de l'épaisseur variable, les quantités de gras, et le goût personnel. Faire attention en contrôlant les casseroles chaudes de gril ; faire attention de graisse chaude. La blessure sérieuse peut résulter en raison du renversement de graisse chaude. Ne jamais partir un sale grille la casserole à sa place ; toujours le nettoyer et le retourne à l'assemblée de brûleur. Les remplaçants de casserole inautorisé de griller ne devraient jamais être utilisés. Le gras supplémentaire devrait être taillé pour réduire la possibilité de flamber en haut. La viande pourrait être ruinée ou vide pourrait arriver causer la perte de propriété et de blessure physique. En grillant des viandes grasses, le plus bas griller doit être utilisé ; cependant, nous recommandons la position plus basse à tout instant. Toujours griller avec la porte de four fermée. En grillant est complété, tourne le cadran à arrêt et enlève le grille la casserole temporairement pour nettoyer. Ne pas utiliser le secteur de gril pour l'emmagasinage d'ustensiles de cuisine.



Aérer la Circulation dans le Four:

- Pour cuisiner de la nourriture également, air chaud doit pouvoir circuler.
- Pour la meilleur circulation d'air et cuire les résultats permet deux pouces d'espace autour du cuire de marchandise et est des casseroles sûres et le cuire la marchandise ne se touche pas, la porte de four, les côtés ou le dos de la cavité de four.
- L'air chaud doit circuler autour des casseroles et cuit de la marchandise dans le four pour même la chaleur pour atteindre autour de la nourriture.

NO. DE CASSEROLES	DISPOSER SUR GRILLE
1	Le centre de grille
2	Côte à côte ou légèrement titubé

SOINS ET ENTRETIEN

- S'il est nécessaire de retirer la cuisinière de son espace pour la nettoyer ou effectuer son entretien, coupez l'alimentation en gaz.
- Débranchez l'alimentation électrique et en gaz.
- Si l'alimentation électrique ou en gaz n'est pas accessible, soulevez légèrement le devant de l'appareil et tirez celui-ci pour l'éloigner du mur.
- Ne tirez que la distance nécessaire pour pouvoir débrancher l'alimentation électrique ou en gaz.
- Déplacez l'appareil afin de pouvoir le nettoyer et effectuer son entretien.
- Réinstallez la cuisinière en inversant les étapes tout en vous assurant que celle-ci est à niveau et vérifiez les raccords de gaz afin de détecter les fuites. • Consultez les directives concernant la manière d'empêcher la cuisinière de basculer et de bien fixer celle-ci en place.

Panneau et boutons de commande :

- Avant de nettoyer le panneau de commande, assurez-vous que les boutons sont en position d'ARRÊT. Nettoyez le panneau avec un chiffon doux et de l'eau chaude savonneuse. Éliminez les résidus et séchez avec soin; l'excédent d'eau dans le panneau de commande et autour de celui-ci peut endommager le four.
- Les boutons de commande peuvent être retirés pour en faciliter le nettoyage. Afin de retirer ceux-ci, tirez directement sur leur tige. Nettoyez-les avec un chiffon doux et de l'eau chaude savonneuse; rincez bien.
- Pour replacer les boutons après le nettoyage, introduisez la face plate de la cavité du bouton à la tige de réglage et appuyez sur le bouton pour le réenclencher.

Grille du Four:

- Pour faire la chute d'étagères plus facilement vous pouvez appliquer une petite quantité de d'huile végétale ou cuisine à une serviette en papier et essuyez le bords de grille avec cela.

Casserole de grilleur:

- Enlever la casserole de gril du four après griller et verser soigneusement la graisse de la casserole dans un récipient correct.
- Laver et rincer la casserole de gril utilisant de l'eau chaude et un coussin abrasif savonneux.
- Si la nourriture a brûlé sur, asperger avec le détergent pendant que c'est chaud et le couvrir avec les serviettes en papier mouillées ou un torchon. Le trempage de la casserole enlèvera la nourriture de brûlé-sur.
- Ne pas utiliser les nettoyeurs commerciaux de four, nettoyant des poudres, les coussins de laine en acier ou dur abrasif sur les surfaces. La solution de vinaigre et eau pourrait être utilisée.

Pour enlever/remplacez le tiroir de stockage:

- Tirez le tiroir toute la sortie jusqu'à ce qu'elle s'arrête.
- Soulevez le tiroir par sa poignée et tirez toute la sortie.
- Pour remplacer, renversez les étapes ci-dessus.

NETTOYAGE DES ZONES DE CONTOUR DES CUPULES, DES CUVETTES ET DES TÊTES DE BRÛLEUR.

Les zones de contour des cupules, des cuvettes et des têtes de brûleur doivent faire l'objet d'un nettoyage régulier. Le fait de garder les orifices de combustion des brûleurs propres empêche les défaillances de l'allumage et la formation d'une flamme inégale. Pour nettoyer les zones renforcées et de contour du dessus de la cuisinière :

- Si des aliments préparés sur la cuisinière sont déversés accidentellement sur les zones renforcées et de contour ou à l'intérieur de celles-ci, épongez le dégât à l'aide d'un chiffon absorbant. Rincez avec un chiffon propre et humide; essuyez.

Pour retirer et replacer les cuvettes et les têtes de brûleur du dessus de la cuisinière, retirez les éléments en respectant l'ordre suivant :

1) Les grilles du brûleur du dessus de la cuisinière

2) Les cuvettes de brûleur du dessus de la cuisinière

3) Les têtes de brûleur du dessus de la cuisinière

- Inversez la procédure susmentionnée afin de replacer les cuvettes et les têtes de brûleur du dessus de la cuisinière.
- Utilisez un tampon de récurage imprégné de savon ou d'un détergent abrasif doux pour nettoyer les cuvettes et les têtes de brûleur du dessus de la cuisinière. Les orifices de combustion ou les fentes autour de la tête du brûleur doivent faire l'objet d'un nettoyage régulier. S'il reste des résidus dans ces orifices, servez-vous d'un fil métallique de faible diamètre ou d'une aiguille pour nettoyer les fentes ou les orifices.
- Afin de permettre une bonne circulation du gaz et un bon allumage du brûleur, évitez que des liquides qui débordent, des aliments, des agents de nettoyage ou tout autre matériau ne pénètrent dans les ouvertures des supports des orifices de gaz. Gardez toujours les cuvettes et les têtes des brûleurs du dessus de la cuisinière en place lorsque vous vous servez des brûleurs du dessus de la cuisinière.

LE DESSUS DE LA CUISINIÈRE N'EST PAS AMOVIBLE. N'ESSAYEZ PAS DE RETIRER OU DE SOULEVER LE DESSUS DE LA CUISINIÈRE.

Surface de four :

- Soyez sûr de porter les gants en caoutchouc pour protéger vos mains.
- N'employez les décapants de four, les poudres de nettoyage, les garnitures de laines en acier, les garnitures de fibre synthétique, ou aucun autre matériaux qui peut endommager le finissage extérieur.
- Si n'importe quels acide, graisse, sucre, etc. se renverse sur des surfaces tandis qu'ils sont chauds, employez un towel de papier sec ou un tissu mou pour l'essuyer vers le haut tout de suite. Quand la surface s'est refroidie, nettoyez avec le tissu mou et chauffez l'eau savonneuse ; puis de rinçage.
- Vous pouvez également employer une solution de vinaigre et de l'eau pour nettoyer la surface de four. Employez le vinaigre pour enlever les taches dures (taches blanches).
- L'éclaboussement ou les flaques lourd peut exiger le nettoyage avec un décapant modérément abrasif.

SOINS ET ENTRETIEN (suite)

Cavité de four:

- N'employez pas les décapants de four, les poudres de nettoyage, les garnitures de laines en acier, les garnitures de fibre synthétique, ou tout autre matériaux qui peuvent endommager le finissage extérieur.
- Pour nettoyer le fond de four, soulevez doucement la cuisson élément. Ceci permettra un accès plus facile au fond de four pour le nettoyage. Faites attention à ne pas soulever l'élément plus de 4 ou 5 pouces de la position de repos.
- Nettoyez avec de l'eau savonneux chaud ; rincez et séchez avec un tissu mou propre.

Porte de four de décollage :

- La porte de four est démontable pour le nettoyage. Pour enlever :
- Ouvrez la porte dans la position grand ouverte.
- Tirez vers le haut la serrure située sur des appuis de charnière et engagez-la dans le crochet des leviers de charnière. Vous pouvez devoir appliquer une peu de pression à la baisse sur la porte de tirer la serrure entièrement au-dessus des crochets.
- Saisissez la porte par les côtés ; tirez le fond de la porte vers le haut et vers de vous pour désengager la charnière appuis. Continuez à tirer le fond de la porte vers vous tout en tournant le dessus de la porte vers la gamme pour désengager complètement des leviers de charnière. Pour remplacer : renversez le processus ci-dessus.

Nettoyage de la porte intérieure :

- Le savon et l'eau devraient suffire ; L'éclaboussement ou les flaques lourd peut exiger le nettoyage avec un décapant modérément abrasif.

Nettoyage de la porte externe :

- Employez le savon et l'eau pour nettoyer complètement le dessus, le bas, les côtés, et l'avant de la porte de four ; puits de rinçage.
- Ne laissez pas l'eau s'égoutter dans les ouvertures de passage.

MISE EN GARDE! Soyez attentif lorsque vous replacez la cuvette du brûleur, afin de ne pas endommager l'électrode. Cela peut retarder l'allumage ou empêcher le brûleur de s'allumer.

MISE EN GARDE! Tout ajout, toute modification ou conversion nécessaire permettant à cet appareil de répondre de manière satisfaisante aux attentes doit être effectué par un distributeur autorisé ou un organisme agréé.

DÉPANNAGE

De temps en temps, un problème peut se poser qui est mineur, et une intervention peut ne pas être nécessaire. Employez ce guide de dépannage pour une solution possible. Si l'unité continue à fonctionner incorrectement, demandez un dépôt autorisé de service ou le numéro de appel sans frais Danby pour l'aide à :

1-800-26- Danby®

PROBLEME	POSSIBLE CAUSE	SOLUTION
1) Les brûleurs du dessus de la cuisinière ne s'allument pas	<ul style="list-style-type: none"> • La rotation du bouton de commande du dessus de la cuisinière n'est pas complète. • Les orifices du brûleur sont bouchés. • Le cordon d'alimentation de la cuisinière est débranché de la prise. • Il y a une panne de courant. 	<ul style="list-style-type: none"> • Appuyez sur le bouton de commande du dessus de la cuisinière et tournez-le jusqu'à ce que le brûleur s'allume, puis tournez-le pour que la flamme atteigne la hauteur désirée. • Une fois le brûleur éteint, servez-vous d'un fil métallique de faible diamètre ou d'une aiguille pour nettoyer les orifices. • Assurez-vous que le cordon est bien fixé dans la prise. • Il est possible d'allumer manuellement les brûleurs. Pour vous en assurer, vérifiez le fonctionnement des lumières de la maison. Appelez votre compagnie d'électricité locale pour demander un service d'entretien.
2) La flamme du brûleur du dessus de la cuisinière n'atteint que sa mi-hauteur	<ul style="list-style-type: none"> • Les orifices du brûleur sont bouchés. • De l'humidité résiduelle est présente après le nettoyage. 	<ul style="list-style-type: none"> • Une fois le brûleur éteint, servez-vous d'un fil métallique de faible diamètre ou d'une aiguille pour nettoyer les orifices. • Soufflez légèrement de l'air sur la flamme et laissez le brûleur fonctionner jusqu'à ce que la flamme soit à sa pleine hauteur. Séchez complètement les brûleurs.
3) La flamme du brûleur du dessus de la cuisinière est de couleur orange.	<ul style="list-style-type: none"> • Présence de poussières dans le conduit principal • Dans les régions côtières, une flamme légèrement orangée sera invariablement produite en raison de la présence de sel dans l'air. 	<ul style="list-style-type: none"> • Laissez le brûleur fonctionner pendant quelques minutes jusqu'à ce que la flamme prenne une coloration bleutée. • Cela est normal et il n'y a pas lieu de prendre une mesure quelconque
4) Résultats culinaires médiocres	<ul style="list-style-type: none"> • De nombreux facteurs peuvent influencer sur vos résultats culinaires. 	<ul style="list-style-type: none"> • Assurez-vous que la grille est en bonne position. Placez les aliments au centre du four et ménagez de l'espace entre les ustensiles de cuisson pour permettre à l'air de circuler. Faites chauffer le four à l'avance à la température prédéterminée avant de placer les aliments au four. Essayez d'ajuster la température recommandée ou la durée de cuisson en fonction des recettes.
5) Formation de flammes à l'intérieur du four ou fumée émanant de l'orifice de ventilation.	<ul style="list-style-type: none"> • De la fumée sera produite très probablement à la suite d'un déversement d'aliments dans votre four. 	<ul style="list-style-type: none"> • Cela est normal, surtout lorsque la température du four est élevée ou lorsque des résidus de tartes à la suite d'un déversement ou de grandes quantités de graisses jonchent le fond du four. Essayez immédiatement les déversements importants.
6) La production de fumées émanant du four est trop importante au cours de la cuisson au grilloir	<ul style="list-style-type: none"> • La viande se trouve trop près du brûleur du grilloir. • La viande n'est pas bien préparée. • Le bac du grilloir nécessite un nettoyage. • Le bac du grilloir est ouvert. 	<ul style="list-style-type: none"> • Remplacez la grille de manière à augmenter l'espace de dégagement entre la viande et le grilloir. • Éliminez l'excédent de graisse de la viande. Entaillez les rebords de graisse qui restent afin de les empêcher de faire onduler le morceau, mais ne coupez pas dans la partie maigre. • Le fumage excessif est causé par une accumulation d'éclaboussures de graisses ou d'aliments. Si le grilloir est fréquemment utilisé, nettoyez-le régulièrement. • La porte du grilloir doit être fermée lorsque vous utilisez celle-ci.
7) La porte du four est tordue	<ul style="list-style-type: none"> • La porte ne se trouve pas dans une bonne position. 	<ul style="list-style-type: none"> • Étant donné que la porte du four peut être retirée, elle peut se déplacer au cours de l'installation et ne pas se trouver dans une bonne position. Pour redresser la porte, consultez la section «Soins et Entretien» figurant dans le présent manuel.

Danby® GARANTIE LIMITÉE DE CUISINIÈRE À GAZ

Cet appareil de qualité est garanti exempt de tout vice de matière première et de fabrication, s'il est utilisé dans les conditions normales recommandées par le fabricant.

Cette garantie n'est offerte qu'à l'acheteur initial de l'appareil vendu par Danby ou par l'un des ses distributeurs agréés et elle ne peut être transférée.

CONDITIONS

Les pièces en plastique sont garanties pour trente (30) jours seulement à partir de la date de l'achat, sans aucune prolongation prévue.

Première 12 Mois Pendant les première douze (12) mois, toutes pièces fonctionné par le gaz de ce produit s'avèrent défectueuses, seront réparées ou remplacées, selon le choix du garant, sans frais à l'acheteur INITIAL.

Pour bénéficier du service sous garantie Danby réserve le droit de limiter le rayon du "Service au domicile" selon la proximité d'un dépôt de service autorisé. Le client sera responsable pour le transport et tous les frais d'expédition de tout appareil exigeant le service en dehors des limites du "Service au domicile" au dépôt de service autorisé le plus proche. S'adresser au détaillant qui a vendu l'appareil, ou à la station technique agréée de service la plus proche, où les réparations doivent être effectuées par un technicien qualifié. Si les réparations sont effectuées par quiconque autre que la station de service agréée où à des fins commerciales, toutes les obligations de Danby en vertu de cette garantie seront nulles et non avenues.

Cette garantie indique en aucun temps la responsabilité de Danby de l'avarie ou dommage de la nourriture ou autre contenu, soit par les vices de l'appareil, ou soit par l'utilisation convenable ou inexacte.

EXCLUSIONS

En vertu de la présente, il n'existe aucune autre garantie, condition ou représentation, qu'elle soit exprimée ou tacite, de façon manifeste ou intentionnelle, par Danby Products Limitée (Canada) ou Danby Products Inc. (E.- U. d'A.) ou ses distributeurs agréés. De même, sont exclues toutes les autres garanties, conditions ou représentations, y compris les garanties, conditions ou représentations en vertu de toute loi régissant la vente de produits ou de toute autre législation ou règlement semblables.

En vertu de la présente, Danby Products Limitée (Canada) ou Danby Products Inc. (E.- U. d'A.) ne peut être tenue responsable en cas de blessures corporelles ou des dégâts matériels, y compris à l'appareil, quelle qu'en soit les causes. Danby ne peut pas être tenue responsable des dommages indirects dus au fonctionnement défectueux de l'appareil. En achetant l'appareil, l'acheteur accepte de mettre à couvert et de dégager Danby Products Limitée de toute responsabilité en cas de réclamation pour toute blessure corporelle ou tout dégât matériel causé par cet appareil.

CONDITIONS GÉNÉRALES

La garantie ou assurance ci-dessus ne s'applique pas si les dégâts ou réparations sont dus aux cas suivants:

- 1) Panne de courant;
- 2) Dommages subis pendant le transport ou le déplacement de l'appareil;
- 3) Alimentation électrique incorrecte (tension faible, câblage défectueux, fusibles incorrects);
- 4) Accident, modification, emploi abusif ou incorrect de l'appareil;
- 5) Utilisation dans un but commercial ou industriel;
- 6) Incendie, dommages causés par l'eau, vol, guerre, émeute, hostilités, cas de force majeure (ouragan, inondation, etc.);
- 7) Visites d'un technicien pour expliquer le fonctionnement de l'appareil au propriétaire.

Une preuve d'achat doit être présentée pour toute demande de réparation sous garantie. Prière de garder le reçu. Pour faire honorer la garantie, présenter ce document à la station technique agréée.

Service sous-garantie

Service au domicile - La conversion de et/ou d'installation n'a pas couvert sous la garantie

Danby®

**Model • Modèle • Modelo
DR2009WGLP**

For service, contact your
nearest service depot or call:
**1-800-26-Danby®
(1-800-263-2629)**
to recommend a depot in
your area.

Pour obtenir le service,
consultez votre succursale
régionale de service ou
téléphonez:
**1-800-26-Danby®
(1-800-263-2629)**
qui vous recommandera un
centre régional.

Para servicio, comuníquese
con su Departamento de
Servicios más cercano o
llame al:
**1-800-26-Danby®
(1-800-263-2629)**
para que le recomienden un
Departamento de Servicios
en su zona.

GAS RANGE

The model number of your Range is found on the serial plate.

All repair parts available for purchase or special order when you visit your nearest service depot. To request service and/or the location of the service depot nearest you, call the toll free number listed to the left in Canada and the U.S.

When requesting service or ordering parts, always provide the following information:

- Product Type
- Model Number

CUISINIÈRE DE GAZ

Le numéro de modèle de votre Cuisinière Électrique est localisé sur la plaque en série.

Toutes les pièces de rechange sont disponibles immédiatement ou peuvent être commandées de votre Centre de Service régional. Pour obtenir le service et/ou le Centre de Service le plus proche, téléphonez le numéro sans-frais indiqué à gauche pour le Canada et les États-Unis.

Ayez les informations suivantes à la portée de la main lors de la commande de pièces ou service:

- Genre de produit
- Numéro de modèle

COCINA DE GAS

El número modelo de su Horno Electrico es encontrado en el serial chapa.

Todas partes de reparación disponibles para la compra u orden especial cuando usted visita su más cercana estación de servicio. Para solicitar servicio y/o la ubicación de la estación de servicio más cercano usted, llama el número de llamada gratuita listó a la izquierda.

Al solicitar servicio u ordenar partes, siempre proporcionan la información siguiente:

- Tipo de Producto
- Número de Modelo

INSTALLATION INSTRUCTIONS

GAS RANGES

READ AND SAVE THESE INSTRUCTIONS

INSTALLATION AND SERVICE MUST BE PERFORMED BY A QUALIFIED INSTALLER

IMPORTANT: Save these instructions for the local electrical inspector's use.


WARNING:

- If the information in this manual is not followed exactly, a fire or explosion may result causing property damage, personal injury or death.
- This appliance must be properly grounded.

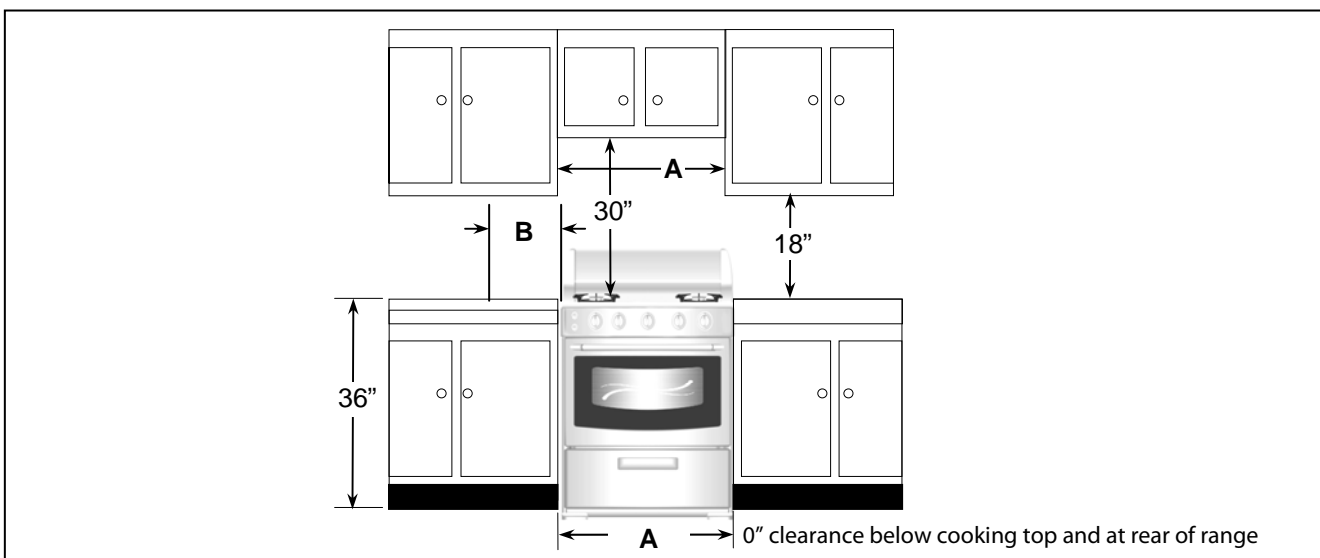
FOR YOUR SAFETY:

- Do not store or use gasoline or other flammable vapors and liquids near this or any other appliance.
- **WHAT TO DO IF YOU SMELL GAS:**
 - Do not try to light any appliance.
 - Do not touch any electrical switch; do not use any phone in your building.
 - Immediately call your gas supplier from a neighbor's phone. Follow the gas supplier's instructions.
 - If you cannot reach your gas supplier, call the fire department.
- Installation and service must be performed by a qualified installer, servicer or the gas supplier.



 	<h4>WARNING</h4> <ul style="list-style-type: none">• All ranges can tip.• Injury to persons could result.• Install anti-tip device packed with range.• See Installation Instructions.
---	---

Clearances and Dimensions



- A= 20" or 30" (it depends the model)
- B= 6" is the recommended spacing to heat-sensitive surfaces on either side of range above 36" height.

TYPICAL CABINET INSTALLATION

- Location – Check location where the range will be installed. Check for proper electrical and gas supply, and the stability of the floor.
- Dimensions that are shown must be used. Given dimensions provide minimum clearance. Contact surface must be solid and level.

Follow all dimension requirements provided below to prevent property damage, potential fire hazard, and incorrect countertop and cabinet cuts.

- Make sure the cabinets and wall covering around the range can withstand temperatures (up to 200°F) generated by the range.
- 30" minimum clearance between cooking surface and bottom of unprotected wood or metal cabinet
- 24" minimum clearance when bottom of wood or metal cabinet is protected by not less than ¼" flame retardant millboard covered with not less than No. 28 MSG sheet steel, 0.015" stainless steel, 0.024" aluminum or 0.020" copper
- 18" minimum clearance upper cabinet to countertop.
- To reduce the risk of burns or fire when reaching over hot surface elements, cabinet storage space above the cook-top should be avoided. If cabinet storage space is to be provided above the cook-top, the risk can be reduced by installing a range hood that sticks out at least 5" beyond the front of the cabinets. Cabinets installed above a cook-top must be no deeper than 13".
- 1" minimum to wall on either side of range above 36" height.

Provide Proper Fuel Type

Before Proceeding: Your range is preset to operate on natural gas only. All models are shipped with convertible with parts and conversion instructions.

CAUTION: DO NOT attempt to convert this range to LP/Propane settings without the proper LP/Propane conversion kit provided with the range. Follow all instructions provided with the conversion kit.

Important Notes:

TO INSTALLER:

- Read all instructions contained in these installation instructions before installing range.
- Remove all packing material from the oven compartments before connecting the gas and electrical supply to the range.
- Observe all governing codes and ordinances.
- Leave installation instructions with homeowner.
- Proper installation is the responsibility of the installer.

TO HOMEOWNER:

- Keep installation instructions for future reference.

IMPORTANT SAFETY INSTRUCTIONS

Installation of this range must conform to local codes or, in the absence of local codes, with the National Fuel Gas Code ANSI Z223.1 – latest edition when installed in the United States.

This range has been design certified by CSA International. As with any appliance using gas and generating heat, there are certain safety precautions you should follow. You will find them in the Use & Care Manual, read it carefully.

- **Be sure your range is installed and grounded properly by a qualified installer or service technician.**
- **This range must be electrically grounded in accordance with local codes or, in their absence, with the National Electrical Code ANSI/NFPA No.70 – latest edition when installed in the United States.** See Grounding Instructions.
- **Before installing the range in an area covered with linoleum or any other synthetic floor covering, make sure the floor covering can withstand heat at least 90°F above room temperature without shrinking, warping or discoloring.** Do not install the range over carpeting unless you place an insulating pad or sheet of ¼-inch thick plywood between the range and carpeting.
- **Make sure the wall covering around the range can withstand the heat generated by the range.**
- **Do not obstruct the flow of combustion air at the oven vent nor around the base or beneath the lower front panel of the range.** Avoid touching the vent openings or nearby surfaces as they may become hot while the oven is in operation. This range requires fresh air for proper burner combustion.

CAUTION: Never leave children alone or unattended in the area where an appliance is in use. As children grow, teach them the proper, safe use for all appliances. Never leave the oven door open when the range is unattended.

WARNING: Stepping, leaning or sitting on the doors or drawer of this range can result in serious injuries and can also cause damage to the range.

- **Do not store items of interest to children in the cabinets above the range.** Children could be seriously burned climbing on the range to reach items.
- **To eliminate the need to reach over the surface burners, cabinet storage space above the burners should be avoided.**
- **Adjust surface burner flame size so it does not extend beyond the edge of the cooking utensil.** Excessive flame is hazardous.
- **Do not use the oven as a storage space.** This creates a potentially hazardous situation.
- **Never use your range for warming or heating the room.** Prolonged use the range without adequate ventilation can be dangerous.
- **Do not store or use gasoline or other flammable vapors and liquids near this or any other appliance.** Explosions or fire could result.

WARNING: DO NOT MAKE ANY ATTEMPT TO OPERATE THE ELECTRIC IGNITION OVEN DURING AN ELECTRICAL POWER FAILURE. RESET ALL OVEN CONTROLS TO “OFF” IN THE EVENT OF A POWER FAILURE.

- The electric igniter will automatically re-ignite the oven burner when power resumes if the oven thermostat control was left in the “ON” position.
- When an electrical power failure occurs during use, the surface burners will continue to operate.
- During a power outage, the surface burners can be lit with a match. Hold a lighted match to the burner; then slowly turn the knob to the HIGHEST POSITION. Use extreme caution when burners lighting this way.

NORMAL INSTALLATION STEPS

1. Before Starting

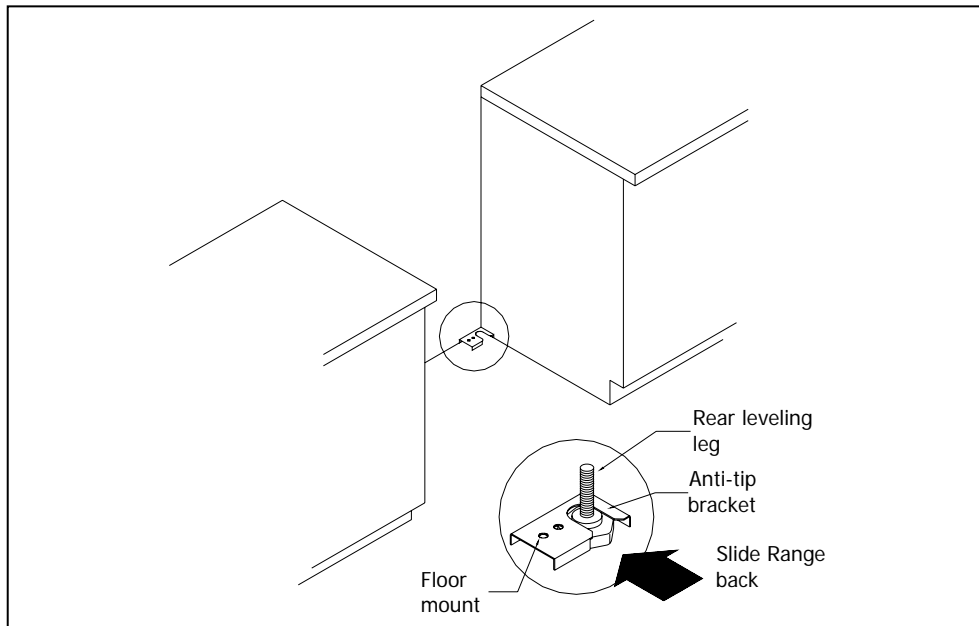
PARTS INCLUDED	TOOLS YOU WILL NEED
<ul style="list-style-type: none">• Anti-Tip bracket• Anchor sleeves• Bolts	<p>For leveling legs and Anti-tip bracket:</p> <ul style="list-style-type: none">• Adjustable wrench or channel lock pliers• Electric or hand drill• Wood floors: 3/16" drill bit• Concrete/ceramic floors: 13/32" carbide-tipped masonry drill bit• 3/8" nut driver <p>For gas supply connection:</p> <ul style="list-style-type: none">• Pipe wrench <p>For burner flame adjustment:</p> <ul style="list-style-type: none">• Phillips head and blade-type screwdrivers <p>For gas conversion (LP/Propane or Natural)</p> <ul style="list-style-type: none">• Open end wrench – 1/2" <p>Additional materials you will need:</p> <ul style="list-style-type: none">• Gas line shut-off valve• Pipe joint sealant that resist action of LP/Propane gas• A new flexible metal appliance conduit (1/2" NPT x 3/4" or 1/2" I.D.) must be design certified by CSA International. Because solid pipe restricts moving the range we recommend using a new flexible conduit (4 to 5 foot length) for each new installation and additional re-installations• Always use the 2 new flare union adapters (1/2" NPT x 3/4" or 1/2" I.D.) supplied with the new flexible appliance conduit connection of the range.• Tape measure• Safety glasses• Pencil• Level• Hammer (may be needed for anchors)

2. Anti-Tip Bracket Installation Instructions

- To reduce the risk of tipping of the range, the range must be secured to the floor by properly installed anti-tip bracket and screws packed with the range. Failure to install the anti-tip bracket will allow the range to tip over if excessive weight is placed on an open door or if a child climbs upon it. Serious injury might result from spilled hot liquids or from the range itself.
- If range is ever moved to a different location, the anti-tip bracket must be also moved and installed with range.
- Instructions are provided for installation in wood or cement fastened to the floor. When fastening to the floor, be sure that screws do not penetrate plumbing.

Anti-tip bracket installation:

1. The anti-tip bracket must be installed to hold the right rear leg of range.
2. **If the range is placed into a range opening**, place the anti-tip bracket so that the closed edge of the bracket is against the rear wall and its right side against cabinet adjacent.
3. **If the range is not placed into a range opening**, just place the anti-tip bracket so that the closed edge of the bracket is against the rear wall.
4. **To mount anti-tip bracket to wood floor**, use the bracket to mark where to drill mounting holes. Use a drill with a 1/8" drill bit to drill the two holes. Use the two screws provided to fasten anti-tip bracket to floor.
5. **To mount anti-tip bracket to concrete or ceramic floor**, use the bracket to mark where to drill mounting holes. Use a drill with a 3/16" drill bit to drill the two holes. Tap plastic anchors into mounting holes in floor with hammer. Line up holes in anti-tip bracket with holes in floor. Use the two screws provided to fasten anti-tip bracket to floor.
6. Move range close to opening. Plug the power supply cord into the grounded outlet and gas supply line.
7. Move range into position making sure right rear leveling leg slides into anti-tip bracket.



3. Level and Position Range

Level range by adjusting the 2 leveling legs with a wrench. Note: A minimum clearance of 1/8" is required between the bottom of the range and the leveling leg to allow room for bracket.

Use a spirit level to check your adjustments. Slide range back into position. Check that rear-leveling leg is inserted into and fully secured by the Anti-tip bracket by grasping the top rear edge of the range and carefully attempt to tilt it forward.

4. Provide an adequate gas supply

This unit is pre-set to operate on 4" natural gas manifold pressure. A convertible pressure regulator is connected to the manifold and must be connected in series with the gas supply line. If the LP/Propane conversion kit has been used, follow instructions provided with the kit for converting the pressure regulator to LP/Propane use.

Care must be taken during installation of range not to obstruct the flow of combustion and ventilation air.

For proper operation, the maximum inlet pressure to the regulator should be no more than 14 inches of water column pressure. The inlet pressure to the regulator must be at least 1 inch greater than regulator manifold pressure. Example: If regulator is set for natural gas 4-inch manifold pressure, inlet pressure must be at least 5 inches; if regulator has been converted for LP/Propane gas 10 inches manifold pressure, inlet pressure must be at least 11 inches.

Leak testing of the appliance shall be conducted according to the instructions in step 6g.

The gas supply line should be 1/2" or 3/4" I.D.

5. Seal the openings

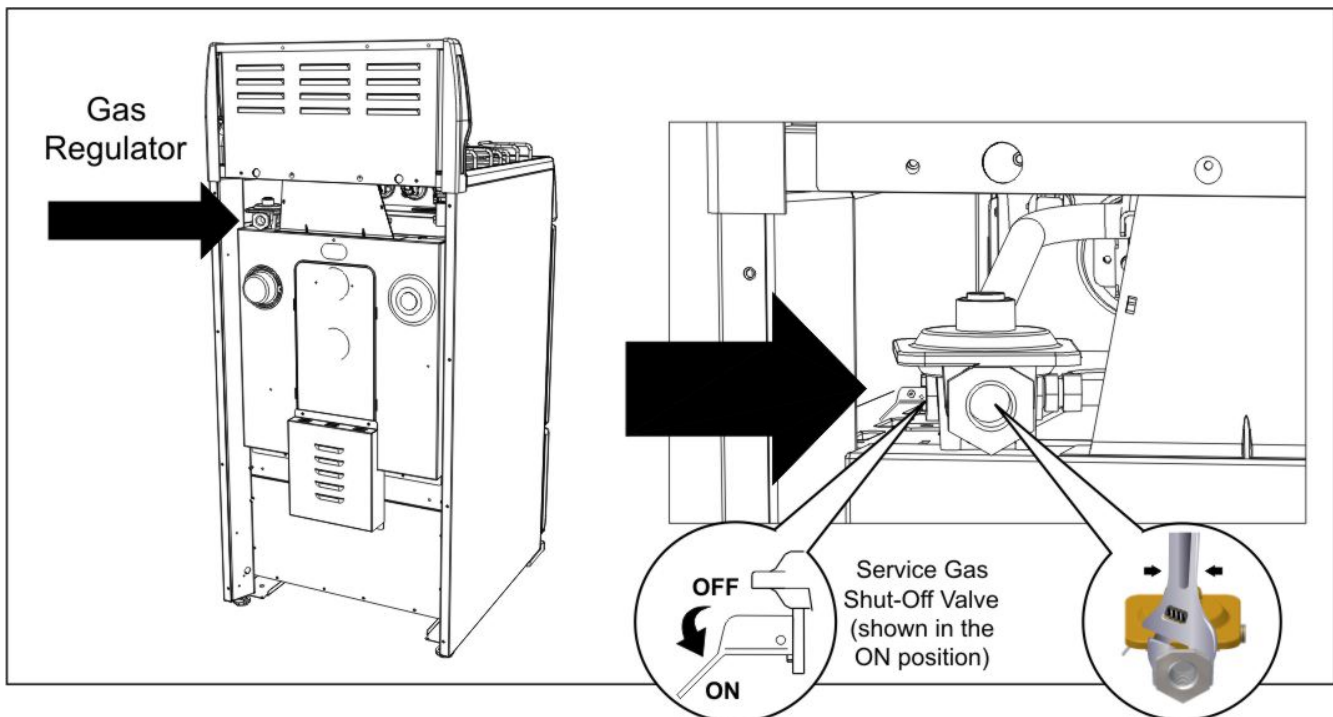
Seal any opening in the wall behind the range and in the floor under the range after gas supply line is installed.

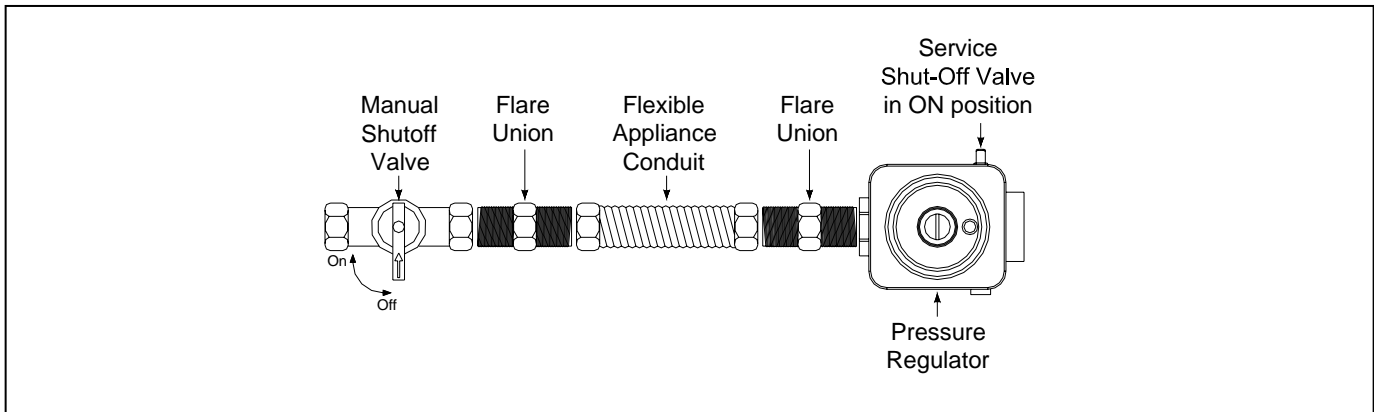
6. Connect the range to the gas supply

To prevent leaks, put a pipe joint sealant on all male (outside) pipe threads.

Your regulator is in the location show below.

CAUTION Do not allow that pressure regulator turn on pipe when tightening fittings. Be sure of holding the regulator with an adjustable wrench to prevent the internal tubing suffering damages or leaks.





BE SURE LEVER IS IN THE ON POSITION WHEN INSTALLATION IS COMPLETE

- Install an external manual gas shut-off valve to gas supply line in an easily accessible location outside of the range. Be sure you know and where to shut-off the gas supply to the range.
- Install ½" flare union adapter to pressure regulator.
- Attach appliance conduit to flare union on regulator.
- Install flare union adapter to external manual shut-off valve.
- Attach appliance conduit to flare union on shut-off valve.
- Make sure service shut-off on pressure regulator is in ON position.
- Check for leaks. Turn the gas supply on to the range and use a liquid leak detector at the joints and conduits to check for leaks in the system.

WARNING Do not use a flame to check for gas leaks.

Checking manifold Gas Pressure

Disconnect the range and its individual shut-off valve from the gas supply piping system during any pressure testing of that system at test pressures greater than 14" of water column pressure (approximately ½" psig)

The appliance must be isolated from the gas supply piping system by closing its individual manual shut-off valve during any pressure testing of the gas supply piping system at test pressures equal to or less than 14" of water column pressure (approximately ½" psig)

If it should be necessary to check the manifold gas pressure, connect monometer (water gauge) or other pressure device to the top burner right rear orifice. Using a rubber hose with inside diameter of approximately ¼", hold tubing down tight over orifice. Turn burner valve on.

For an accurate pressure check have at least 2 other top burner burning. Be sure the gas supply (inlet) pressure is at least one inch above specified range manifold pressure. The gas supply pressure should never be over 14" water column. When properly adjusted for Natural Gas the manifold pressure is 4" (For LP/Propane Gas the manifold pressure is 10")

7. Read electrical connection details below and connect electricity to range

WARNING Before servicing, disconnect electrical supply at circuit breaker, fuse or power cord.

Electric requirements:

An individual properly grounded and polarized branch circuit protected by 15 amp. Circuit breaker or time delay fuse. See serial plate for proper voltage.

Extension Cord Precautions:

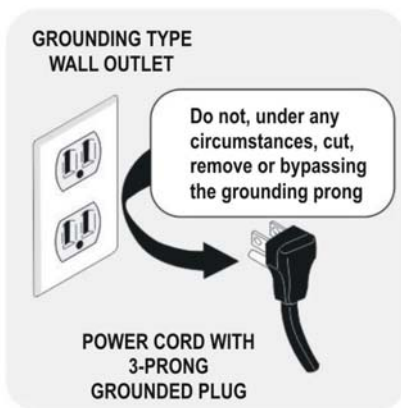
Because of potential safety hazards under certain conditions, we strongly recommend against the use of any extension cord. However, if you still elect to use an extension cord, it is absolutely necessary that it be a UL listed 3-wire grounding type appliance extension cord and that the current carrying rating of the cord in amperes be equivalent to or greater than the branch circuit rating.

WARNING PLEASE READ CAREFULLY. For personal safety, this product must be properly grounded.

Grounding Instructions

The power cord of this appliance is equipped with a 3-prong (grounding) plug that mates with a standard 3-prong grounding wall receptacle to minimize the possibility of electric shock hazard from this appliance. The customer should have the wall receptacle and circuit checked by a qualified electrician to make sure the receptacle is properly grounded and polarized.

Preferred Method



Where a standard 2-prong wall receptacle is encountered, it is the personal responsibility and obligation of the customer to have it replaced with a properly grounded 3-prong wall receptacle.

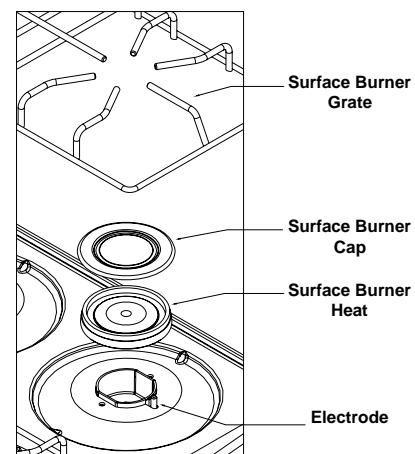
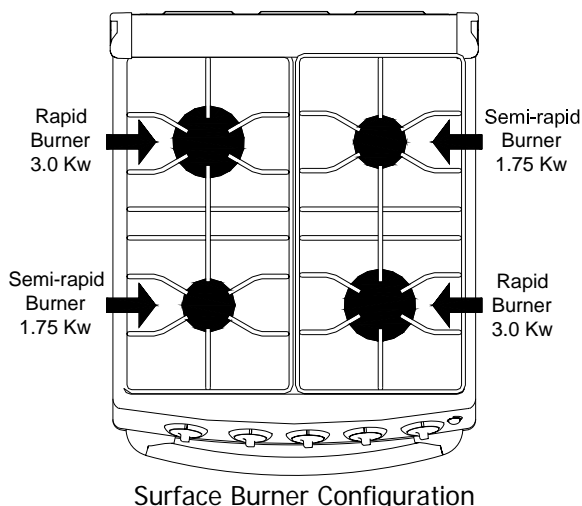
DO NOT, UNDER ANY CIRCUMSTANCE, CUT OR REMOVE THE THIRD (GROUND) PRONG FROM THE POWER CORD.

OPERATION OF SURFACE BURNERS

8. Installation of Burner Cap Assembly

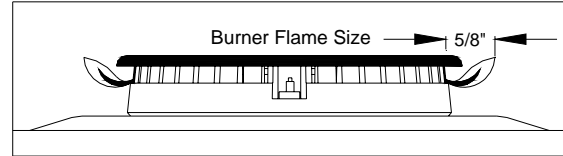
Your range is equipped with a combination of the sealed burner. Be sure to place the correct burner cap at on all 4 or 6 surface burner locations:

- Install the surface burner heads
- Install the surface burner caps
- Install the burner grates



9. Electric Ignition Surface Burners

Operation of electric igniters should be checked after range supply line connectors have been carefully checked for leaks and range has been connected to electric power.

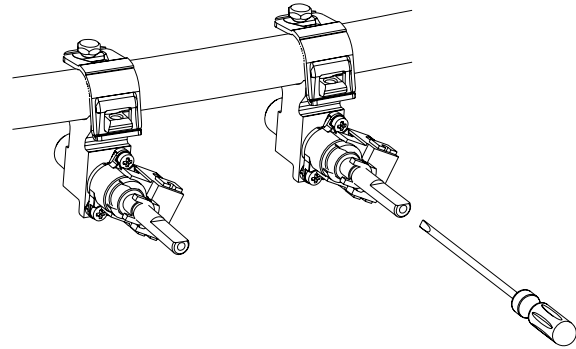


- To check for proper lighting, push in and turn a surface burner knob counter-clockwise to the LITE position. You will hear the igniter sparking.
- The surface burner should light when gas is available to the top burner. Purge air from supply lines by leaving knob in the LITE position until burner ignites. Each burner should light within 4 seconds in normal operation after air has been purged from supply lines.
- Visually check that burner has lit. Once the burner lights, the control knob should be turned out of the LITE position.
- There are separate electrodes (igniters) for each burner. Try each knob separately until all burner valves have been checked.

10. Adjust the "LOW" Setting of Surface Burner Valve

Test to verify if LOW setting should be adjusted:

- Push in and turn control to any position (keeping it push in), until burner ignites.
- Quickly turn the knob to the LOWEST POSITION
- If burner goes out, reset control to OFF.
- Remove the surface burner control knob.
- Insert a thinbladed screwdriver into the follow valve stem and engage the slotted screw inside. Flame size can be increased (turning counterclockwise) or decreased (turning clockwise) with the turn of the screw.



Adjust flame until you can quickly turn knob from the HIGHEST POSITION to LOWEST POSITION without extinguishing the flame. Flame should be as small as possible going out.

NOTE: Air mixture adjustment is not required on surface burners.

OPERATION OF OVEN BURNERS AND OVEN ADJUSTMENTS

11. Electric Ignition Burners

Operating of electric igniter should be checked after range and supply line connectors have been carefully checked for leaks and range has been connected to electric power.

The oven burner is equipped with an electric control system as well as an electric oven burner igniter. These control system require not adjustment. When the oven is set to operate, current will flow to the igniter. It will GLOW similar to a light bulb. When the igniter has reached a temperature sufficient to ignite gas, the electrically controlled oven valve will open and flame will appear at the oven burner. There is a time lapse from 30 to 60 seconds after the thermostat is turned ON before the flame appears at the oven burner. When the oven reaches the dial setting, glowing igniter will go off. The burner flame will go OUT in 20 to 30 seconds after the igniter goes OFF. To maintain any given oven temperature, this cycle will continue as long as the dial is set to operate.

After removing all packing materials and literature from the oven:

- a. Set oven to BAKE at 300°F. See Use & Care Manual for operating instructions.
- b. Within 60 seconds the oven burner should ignite. Check for proper flame, and allow the burner to cycle once. Reset controls to OFF.

12. Air Shutter-Oven Burner

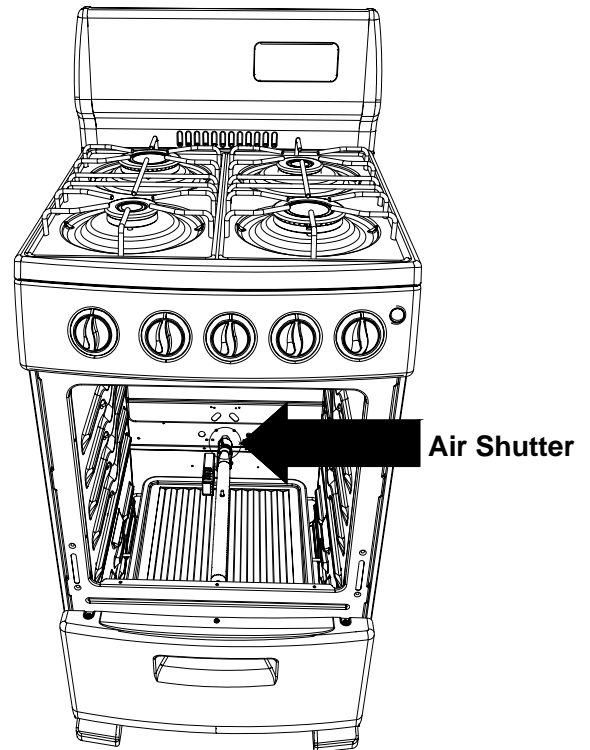
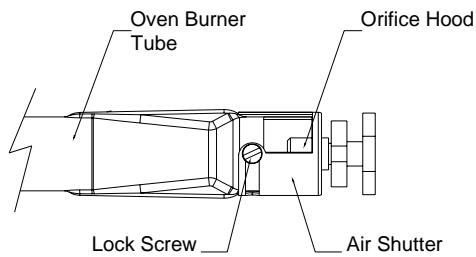
The approximate flame length of the oven burner is 1 inch (distinct inner, blue flame)

To determine if the oven burner flame is proper, remove the oven bottom and set the oven to bake at 300°F.

To remove the oven bottom, slide it back into place to disengage front of oven bottom from oven front frame, and pull the oven bottom out of the oven.

If the flame is yellow in color, increase air shutter opening size. If the flame is a distinct blue, reduce the air shutter opening size.

To adjust loosen lock screw, reposition air shutter and tighten lock screw. Replace oven bottom.



13. Make sure Range is level

Level the range by placing a level horizontally on an oven rack. Check diagonally from front to back; then level the range by either adjusting the leveling legs or by placing shims under the corners of the range as needed.

14. After installation is complete, make sure all controls are left in the OFF position

Model and Serial Number Location

The serial plate is located on the right-hand surface of the oven front frame at the broil drawer; or the lower panel.

When ordering parts for or making inquires about your range, always be sure to include the model and serial numbers from the serial plate on your range.

Your serial plate also tells you the rating of burners; the type of fuel and the pressure the range was adjusted for when it left the factory.

Gas Conversion

This range was adjusted at the factory for Natural gas as specified on the serial plate and it is equipped with fixed orifices and a convertible appliance pressure regulator.

To convert the unit from Natural gas to LP gas will require the replacement of the orifice hoods, and adjustment of air shutters on the burners and adjustment of the appliance pressure regulator converter cap.

Inlet pressure to the appliance pressure regulator shall be in accordance with the nominal inlet pressure of the regulator used on the range (14 inches of water column pressure or ½ PSIG maximum) The range should be tested by pressurizing the regulator with an inlet pressure at least 1 inch water column above the manufacture’s specified manifold pressure shown on the serial plate, as follow:

INLET PRESSURE IN INCHES OF WATER COLUMN	NAT GAS	LP GAS
Minimum	5	11
Maximum	14	14

a. Appliance Pressure Regulator Conversion:

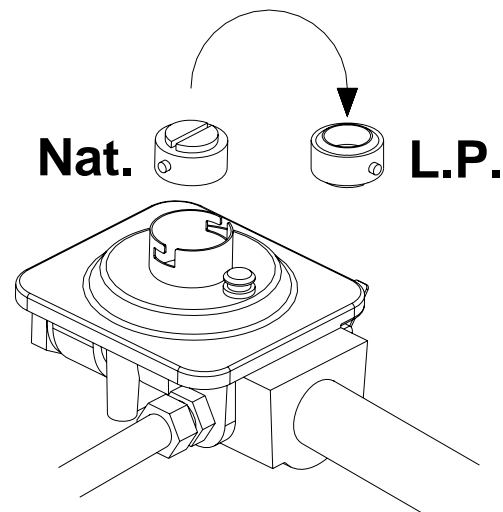
The regulator is located at rear of the range.

- Using a screw or coin, turn the cap counterclockwise to release from the pressure regulator. Be sure the O-ring gasket stays in place.
- Turn the cap over and place into the slots. Turn clockwise to lock in position. The letters corresponding with the type of gas being used should be visible on the exposed end of the cap.

b. Orifices Conversion:

To convert this unit to LP gas from Natural gas will require the exchange of orifice hoods.

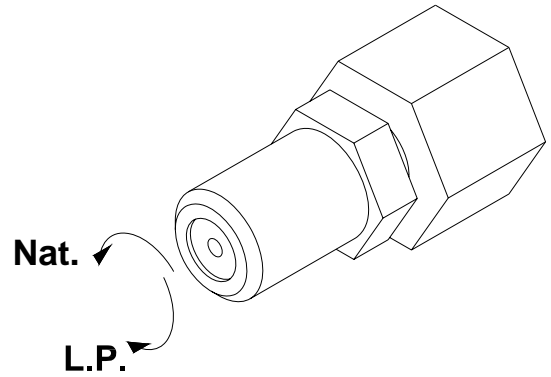
IMPORTANT: Save the orifices removed from the appliance for future use.



OVEN BURNER CONVERSION

- Remove oven bottom. To remove oven bottom, slide it back into place to disengage front of oven bottom from oven front frame, and pull the oven bottom out of the oven.
- Using ½" wrench, adjust oven burner spud as follows. For Natural to LP/Propane conversion tighten spud down clockwise until snug (approximately 2-1/2 turns). This restricts the flow of gas through the spuds to only that allowed by the hollow LP/Propane metering pin. Do not over tighten.

NOTE: For LP/Propane to Natural conversion, loosen spuds counterclockwise (approximately 2-1/2 turns). This increases the flow of gas around the metering pin.



SURFACE BURNER CONVERSION

- Remove each surface burner assembly
- Remove the surface burner orifice hoods counterclockwise
- Place the corresponding orifice hood on the burner fitting according to burner size:
9 K BTU Natural replace with orifice stamped 0.80 for LP
6 K BTU Natural replace with orifice stamped 0.65 for LP
- Turn the orifice hood clockwise by hand approximately one turn. Tighten the orifice hood clockwise with a wrench approximately 2 ½ turns.
- Replace each surface burner assembly

After conversion is complete, follow normal instructions for installation and burner operation/ adjustments.

15. Care, Cleaning and Maintenance

- Refer to USER GUIDE for operating and cleaning instructions.
- If removing the range is necessary for cleaning or maintenance, shut off gas supply.
- Disconnect the gas and electrical supply.
- If the gas or electrical supply is inaccessible, lift the unit slightly at the front and pull out away from the wall.
- Pull only as far as necessary to disconnect the gas and electrical supply.
- Finish removing the unit for servicing and cleaning.
- Reinstall in reverse order making sure to level the range and check gas connections for leaks.
- See Anti-Tip Instructions for proper anchoring instructions.