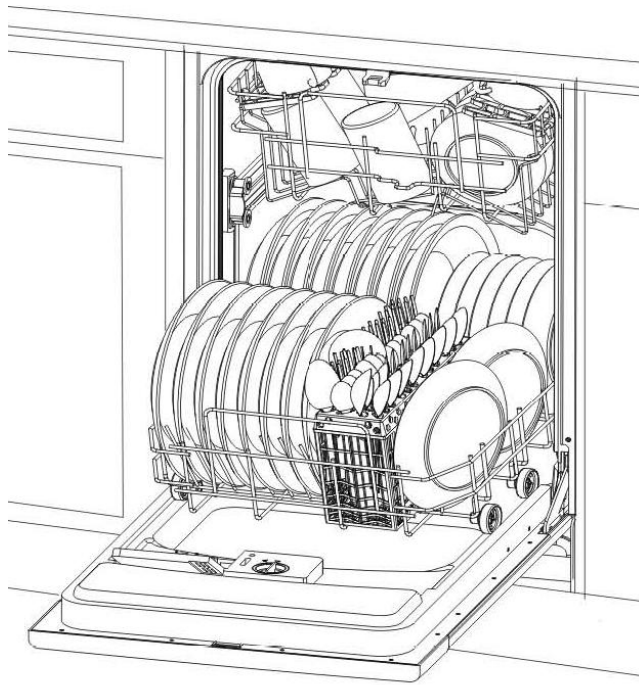




**DISHWASHER / LAVAPLATOS
INSTRUCTION MANUAL / MANUAL DE INSTRUCCIONES**

Model Numbers / Números de Modelo: DW182ESS / DW183W / DW184B



BEFORE USE, PLEASE READ AND FOLLOW ALL SAFETY RULES AND OPERATING INSTRUCTIONS.

La sección en español empieza en la página 16.

Avanti has a policy of continuous improvement on its products and reserves the right to change materials and specifications without notice.

Avanti Products, A Division of The Mackle Co., Inc.
P.O. Box 520604 - Miami, Florida 33152
www.avantiproducts.com

TABLE OF CONTENTS

Help Us Help You	3
Parts and Features	4
Important Safety Instructions	5
Electrical Connection	5
Water Heater Safety	6
Before Using Your Dishwasher	6
Operating Your Dishwasher	7
Control Panel	7
Wash Cycle Descriptions	7
Overflow Protection	8
Using the Detergent Dispenser	8
Using the Rinse Aid Dispenser	8 – 9
How to Efficiently Load Your Dishwasher	9 – 10
Starting the Wash Cycle	10
Filtering System	10
Caring and Maintenance	11
Cleaning the Spray Arms	11
Cleaning the Filters	11
Cleaning the Door	11
Cleaning the Drain Pump	12
How to Keep your Dishwasher in Shape	12
Problems with your Dishwasher?	12
Troubleshooting Guide	12 – 14
Service for your Dishwasher	14
Wiring Diagram	14
Your Avanti Products Warranty	15
Instrucciones en Español	16 – 22
Registration Information / Registration Card	Back Cover

HELP US HELP YOU...

Read this guide carefully.

It is intended to help you operate and maintain your new dishwasher properly.

Keep it handy to answer your questions. If you don't understand something or you need more assistance, please call:

**Avanti Customer Service
800-220-5570**

Keep proof of original purchase date (such as your sales slip) with this guide to establish the warranty period.

Write down the model and serial numbers.

You'll find them on a plate located on the rear wall of the dishwasher.

Please write these numbers here:

Date of Purchase

Model Number

Serial Number

Use these numbers in any correspondence or service calls concerning your dishwasher.

If you received a damaged dishwasher, immediately contact the dealer (or builder) that sold you the dishwasher.

Save time and money. Before you call for service, check the Troubleshooting Guide. It lists causes of minor operating problems that you can correct yourself.

IF YOU NEED SERVICE

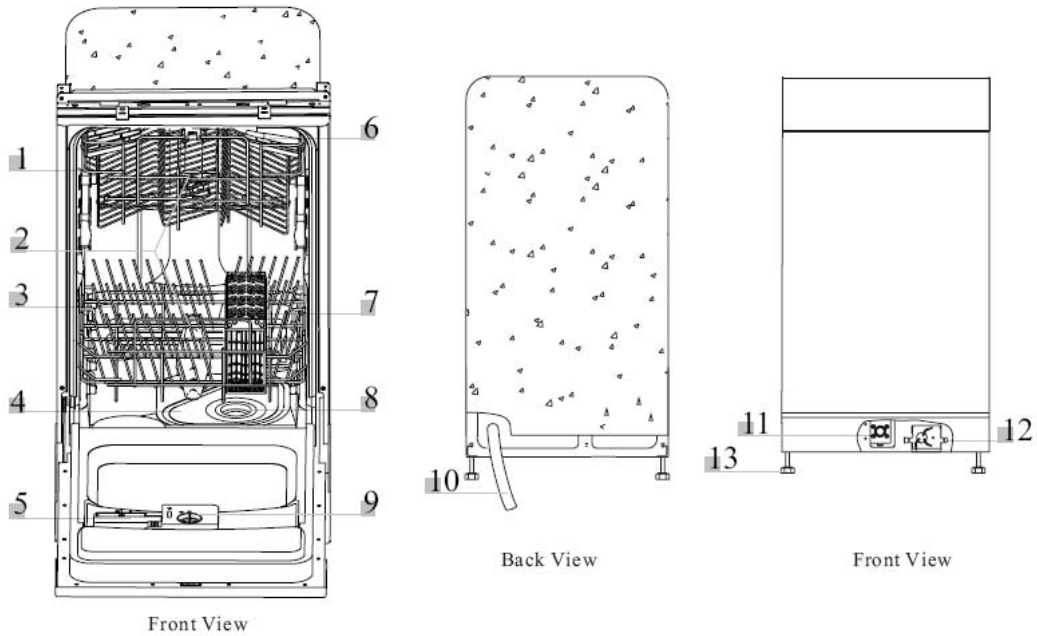
We're proud of our service and want you to be pleased. If for some reason you are not happy with the service you receive, here are some steps to follow for further help.

FIRST, contact the people who serviced your dishwasher. Explain why you are not pleased. In most cases, this will solve the problem.

NEXT, if you are still not pleased, write all the details, including your telephone number, and send it to:

**Customer Service
Avanti Products
10880 NW 30th Street
Miami, FL 33172**

PARTS AND FEATURES



1	Upper Rack
2	Spray Arms
3	Lower Rack
4	Main Filter Assembly
5	Detergent Dispenser
6	Cup Rack
7	Cutlery Basket
8	Coarse Filter
9	Rinse Aid Dispenser
10	Drain Hose
11	Inlet Valve
12	Junction Box
13	Leveling Leg

Important Safety Instructions

⚡ WARNING ⚡	To reduce the risk of fire, electrical shock, or injury when using your dishwasher, follow these basic precautions:
<ul style="list-style-type: none">• Read all instructions before using the dishwasher.• DANGER or WARNING: Risk of child entrapment.• Child entrapment and suffocation are not problems of the past. Junked or abandoned dishwashers are still dangerous. . . even if they will “just sit in the garage a few days.”• Before you throw away your old appliance: Take off the doors. Leave the shelves in place so that children may not easily climb inside.• Never allow children to operate, play with, or crawl inside the dishwasher.• Never clean dishwasher parts with flammable fluids. The fumes can create a fire hazard or explosion.• Do not store or use gasoline or any other flammable vapors and liquids in the vicinity of this or any other dishwasher. The fumes can create a fire hazard or explosion.• Plug the dishwasher into an exclusive properly installed-grounded wall outlet. Do not under any circumstances cut or remove the third (ground) prong from the power cord. Any questions concerning power and or grounding should be directed toward a certified electrician or an authorized Avanti Products service center <p style="text-align: center;">-Save these instructions-</p>	

Electrical Connection

⚡ Warning ⚡
Improper use of the grounded plug can result in the risk of electrical shock. If the power cord is damaged, have it replaced by an authorized Avanti Products service center.

- This dishwasher should be properly grounded for your safety. The power cord of this dishwasher is equipped with a three-prong plug which mates with standard three prong wall outlets to minimize the possibility of electrical shock.
- Do not under any circumstances cut or remove the third ground prong from the power cord supplied.
- Never use an extension cord to connect power to the unit.
- Never use a two-prong grounding adapter.
- Where a two-prong wall receptacle is encountered, contact a qualified electrician to have it replaced with a 3-prong receptacle in accordance with applicable electrical codes.
- This dishwasher requires a standard 110/120 volts A.C.~60hz electrical outlet with three-prong ground.
- The cord should be secured behind the dishwasher and not left exposed or dangling to prevent accidental injury.
- Connect to a grounded metal, permanent wiring system: or run an equipment grounding terminal or lead of the appliance.
- Improper connection of the equipment grounding conductor can result in a risk of electric shock. Check with a qualified electrician or service representative if you are in doubt whether the appliance is properly grounded.
- Do not attempt to repair or replace any part of your dishwasher unless it is specifically recommended in this manual. All other servicing should be referred to a qualified technician.
- To minimize the possibility of electric shock, disconnect this appliance from the power supply before attempting any maintenance. **Note:** *Turning the dishwasher off does not disconnect the appliance*

from the power supply. We recommend having a qualified technician service your appliance.

Water Heater Safety

Under certain conditions hydrogen may be produced in a water heater that has not been used for two weeks or more. Hydrogen gas is explosive.

If the hot water has not been use for two weeks or more, prevent the possibility of damage or injury by turning on all hot water faucets and allow them to run for several minutes. Do this before using any electrical appliance which is connected to the hot water system. This simple procedure will allow any built-up hydrogen gas to escape. Since the gas is flammable, do not smoke or use an open flame or appliance during this process.

Use this appliance only for its intended purpose as described in this Owner's Manual.

WARNING READ FOR PROPER USE

- Do not abuse, sit on, or stand on the door or dish rack of the dishwasher.
- Do not touch the heating element during or immediately after use.
- Do not wash plastic items unless they are marked dishwasher safe or the equivalent. For plastic items not so marked, check the manufacturer recommendations.
- Use only detergent and rinse additives designed for an automatic dishwasher. Using detergent that is not specifically designed for dishwashers will cause the dishwasher to fill with suds.
- Keep children away from detergent and rinse aid, keep children away from the open door of the dishwasher, there could still be some detergent left inside.
- The door should not be left in the open position since this could present a tripping hazard.
- During installation, the power supply must not be excessively bent or flattened.
- To reduce the risk of injury, do not allow children to play in or on a dishwasher.
- Do not operate your dishwasher unless all enclosure panels are properly in place. Open the door very carefully if the dishwasher is operating, there is a risk of water squirting out.
- Do not place any heavy objects or stand on the door when it is open. The appliance could tip forward.
- When loading items to be washed:
 - 1) Locate sharp items so that they are not likely to damage the door seal;
 - 2) Load sharp knives with the handles up to reduce the risk of cut-type injuries.
- When using your dishwasher, you should prevent plastic items form contacting with heating element.
- If the supply cord is damaged, it must be replaced by the manufacturer or its service agent or similarly qualified person in order to avoid a hazard.
- Please dispose of packing materials properly.
- Use the dishwasher only for its intended function.
- Remove the door when removing an old dishwasher from service or discarding it.
- Do not tamper with controls.
- Do not touch the heating element during or immediately after use.

Before Using Your Dishwasher

- Remove the exterior and interior packing.
- Check to be sure you have all of the following parts:
 - 2 Wash Racks (1 Upper / 1 Lower)
 - 1 Silverware Basket
 - 1 Measuring Spoon
 - 1 Instruction Manual
 - 1 Measuring Cup
 - 1 Installation Manual
- Clean the interior surface with lukewarm water using a soft cloth.

WASH CYCLE ADJUSTMENT BUTTONS



1	POWER ON / OFF BUTTON
2	DISPLAY WINDOW
3	DELAY TIMER SELECTOR BUTTON
4	WASH PROGRAM SELECTOR BUTTONS

POWER ON / OFF BUTTON: Turns the unit ON / OFF but does not remove the unit from electrical supply.

DISPLAY WINDOW: Displays current remaining time during washing.

DELAYED START TIMER: Use this option if you would like to set the unit start the wash cycle at a later time.








Press the button once and you can select to delay start by 30 minutes to 10 hours, continue to pressing the button and you can select a delay of 1 hour up to a maximum of 24 hours.

PRE-PROGRAMMED WASH CYCLE BUTTONS:

Press the appropriate wash cycle to accommodate your needs.

See the detailed description of each option / cycle below:

PRE-PROGRAMMED WASH CYCLES:

Cycle Name	Type	Description	Description of Cycle	Detergent (pre/main)
HEAVY	Normal wash 	For heavily soiled loads, such as pots, pans, casserole dishes and dishes with dried food.	Pre-Rinse (50°) Wash (60°) Rinse Rinse (72°) Drying	4/20 gr.
NORM	Heavy Wash 	For normally soiled loads such as pots, plates, glasses and lightly soiled pans. Standard Daily Cycle.	Pre-Rinse Wash (60°) Rinse Rinse (72°) Drying	4/20 gr.
LIGHT	Light Wash 	For lightly soiled loads, such as plates, glasses, bowls and lightly soiled pans.	Wash (60°) Rinse Rinse (72°) Drying	20 gr.
RINSE	Rinse 	For dishes that need to be rinsed and dried only.	Rinse Rinse (68°) Drying	
GLASS	Glassware 	For lightly soiled loads, such as glasses, crystal and fine china	Rinse (45°) Rinse (72°) Drying	15 gr.
RAPID	Glassware 	A shorter wash for lightly soiled loads that do not require drying.	Rinse (45°) Rinse (50°) Drying	15 gr.
PRE -WASH	Pre-wash 	Use to rinse the dishes that you plan to wash later that day.	Pre-Rinse	15 gr.

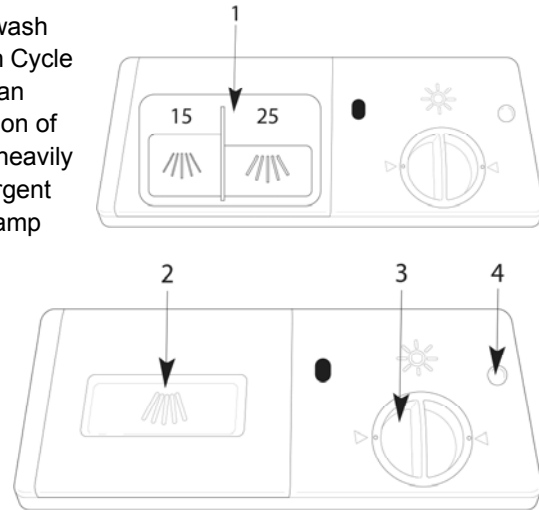
OVERFLOW PROTECTIONS

Our Avanti dishwasher has an overflow protection device which could automatically shut off the inlet valve and start the drain pump if the water overflows. If this occurs, turn off the main water supply before calling a servicer. If there is water in the base pan because of an overflow or small leak, the water should be removed before restarting the dishwasher.

DETERGENT DISPENSER

The dispenser must be refilled before the start of each wash cycle according to the instructions provided in the “Wash Cycle Table”. Our dishwashers use less detergent than conventional dishwashers. Generally, only one tablespoon of detergent is needed for a normal wash load. Also, more heavily soiled items need more detergent. Always add the detergent just before starting the dishwasher, otherwise it could get damp and will not dissolve properly.

1. Main Wash Detergent
2. Prewash Detergent Compartment
3. Rinse-Aid Compartment
4. Rinse Aid Level Indicator



Amount of Detergent to Use

If the water isn't too hard, you may also prevent the formation of deposits by adding detergent. The amount of detergent needed can vary due to differences in water hardness. To determine the water hardness in your area, contact your local water utility or area water softening company. The harder the water, the more detergent you may need. Remember, you should adjust the amount of detergent you use little by little until you find the correct amount.

Removing Hard Water Spots From Dishes

To remove hard water spots, try the following:

- Run dishes through a normal wash program.
- Remove all metal dishware, such as cutlery, pans, etc., from the dishwasher.
- Do not add detergent.
- Pour two cups of vinegar into a bowl and set the bowl face up on the lower rack of the dishwasher.
- Run the dishes through a normal wash program.

If this doesn't work, try the same process with ¼ cup of citric acid crystals instead of vinegar.

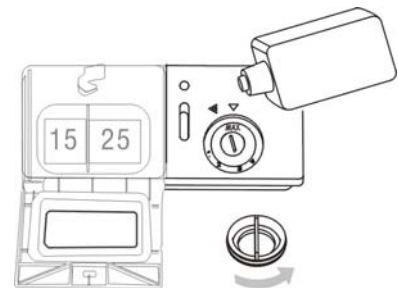
Proper Use Of Detergent

Use only detergent specifically made for use in dishwasher. Keep your detergent fresh and dry. Don't put powder detergent into the dispenser until you're ready to wash dishes.

Rinse Aid Dispenser

The rinse aid is released during the final rinse to prevent water from forming droplets on your dishes that can leave spots and streaks. It also improves drying by allowing water to “sheet” off the dishes.

Our dishwashers are designed to use liquid rinse aids. The rinse aid dispenser is located inside the door next to the detergent dispenser. To fill the dispenser, open the cap and pour the rinse aid into the dispenser until the level indicator turns completely black. The dispenser holds about 100 ml of liquid rinse aid.



Be careful not to overfill the dispenser, because this could cause over sudsing. Wipe away any spills with a damp cloth. Don't forget to replace the cap before you close the dishwasher door. If you have soft water, you may not need rinse aid for it may cause a white film to develop on your dishes.

Adjusting Rinse Aid Dispenser

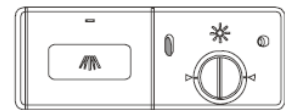
A measured amount of rinse aid is released during the final rinse. As with detergent, the amount of rinse aid needed for your dishes depends on the hardness of the water in your area. Too much rinse aid can result in lather or foaming and cause cloudiness or streaks on your dishes. If the water in you area is very soft, you may not need rinse aid. If you do, you can dilute the rinse aid with an equal amount of water.



The rinse aid dispenser has 4 settings. Always start with the dispenser set on "1". If spots and poor drying are problems, increase the amount of rinse aid dispensed by removing the dispenser lid and rotating the dial to "2". IF the dishes still are not drying properly or are spotted, adjust the dial to the next higher number until your dishes are spot-free. We suggest you to set on "3".

When To Refill The Rinse Aid Dispenser

If there is no rinse aid warning light on the control panel, you can judge the amount of rinse aid by the following means. The black dot on the fines aid dispenser indicates the amount of rinse aid in the dispenser. As the rinse aid diminishes, the size of the black dot decreases. You should never let the rinse aid get below 1/4 full.



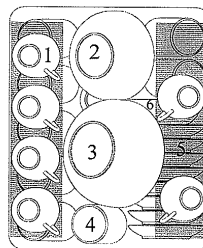
- Full
- 3/4 Full
- 1/2 Full
- 1/4 full (Refill)
- Empty

How to Use the Upper Rack

The upper rack is designed to hold more delicate and lighter dishware such as glasses, coffee and tea cup and saucers, as well as plates, small bowls and shallow pans (as long as they are not too dirty). Position the dishes and cookware so that they do not get moved by the spray of waters.

The upper rack can be adjusted for height by putting wheels of different height into the rails.

1. Cups
2. Small Serving Bowl
3. Large Serving Bowl
4. Glasses
5. Saucers
6. Dish



How To Use The Lower Rack

We recommend that you place large items which are most difficult to clean into the lower rack: pots, pans, lids, serving dishes and bowls, as shown in the figure.

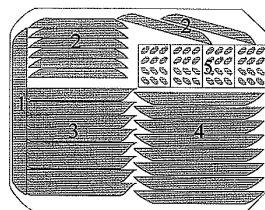
It is preferable to place serving dishes and lids on the side of the racks in order to avoid blocking the rotation of the top spray arm.

Pots, serving bowls, etc, must always be placed top down.

Deep pots should be slanted to allow water to flow out.

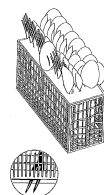
The bottom rack feature folds down tine rows so that larger or more pots and pans can be loaded.

1. Oval Platter
2. Dinner Plates
3. Soup Plates
4. Dessert Dishes
5. Silverware Basket



Silverware Basket

Silverware should be placed in the silverware basket with handles at the bottom: if the rack has side baskets, the spoon should be loaded individually into the appropriate slots,



especially long utensils should be placed in the horizontal position at the front of the upper rack.

Starting A Wash Cycle

- Make sure that the plug for the appliance is inserted into the wall socket.
- Make sure the water supply is turned on to full pressure.
- Load the dishwasher.
- Pour in the detergent.
- Close the door completely.
- Press the ON/OFF button.
- Select the appropriate wash cycle suitable for your needs.
- The total wash time will be shown in the display window.
- The dishwasher will begin the selected wash cycle automatically.
- During the wash cycle the “ : “ symbol will flash intermittently in the display window.

Canceling Or Modifying A Wash Cycle Setting

Premise: A cycle that is underway can only be modified if it has only been running for a short time. Otherwise, the detergent may have already been release, and the appliance may have already drained the wash water. If this is the case, the detergent dispenser must be refilled.

Press the ON/OFF button, and the ON light will turn off. Select the appropriate wash cycle, the dishwasher will begin the selected cycle automatically.

At The End Of The Wash Cycle

When the cycle has finished; turn off the appliance using the ON/OFF button, shut off the water supply and open the door of the dishwasher. Wait a few minutes before unloading the dishwasher to avoid handling the dishes and utensils while they are still hot and more susceptible to breakage. They will also dry better.

Forgot To Add A Dish?

A forgotten dish can be added any time before the detergent cup opens.

- Pull the door handle.
- Do not open the door until the water spray action stops. Steam may rise out of the dishwasher.
- Add forgotten dishes.
- Push the door to close it. When the door is closed right a click will be heard.

Filtering System

For your convenience, we have placed the drain pump and filtering system within easy reach inside the tub. There are three components of the filtering system: the main filter, the coarse filter and the fine filter.

1. Main Filter

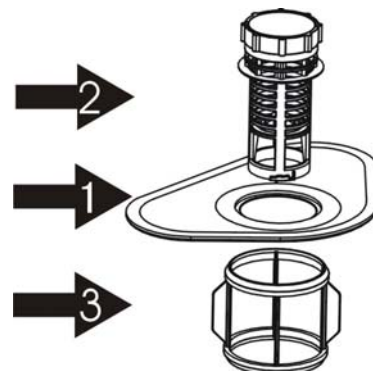
Food and soil particles trapped by this filter are pulverized by a special jet on the lower spray arm and washed down the drain.

2. Coarse Filter

Larger items, such as pieces of bone or glass, that could clog the drain are trapped in the coarse filter. To remove an item caught in this filer, gently squeeze the tabs on top of this filter and lift out.

3. Fine Filter

This filter holds soil and food residue in the sump area and prevents it from being re-deposited on the dishes during a cycle.



Caring And Maintenance

To clean the control panel use a lightly dampened cloth then dry thoroughly. To clean the exterior use a good appliance polish wax.

Never use sharp objects, scouring pads or harsh cleaners on any part of the dishwasher.

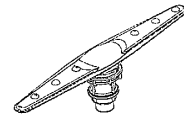
Protect against freezing

If your dishwasher is left in an unheated place during the winter, ask a service technician to:

1. Cut off electrical power to the dishwasher. Remove fuses or trip circuit breaker.
2. Turn off the water supply and disconnect the water inlet pipe from the water valve.
3. Drain water from the inlet pipe and water valve. (Use a pan to catch the water.)
4. Reconnect the water inlet pipe to the water valve.
5. Remove the plastic sump cover in the tub the bottom and use a sponge to soak up water in rubber boot.

Cleaning The Spray Arms

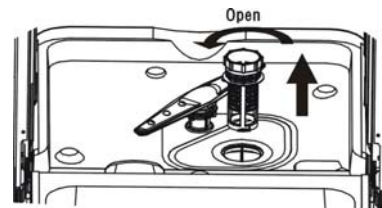
It is necessary to clean the spray arms regularly for hard water chemicals will clog the spray arm jets and bearings. To remove the spray arm, screw off the nut to take out the washer on top of the spray arm and remove the arm. Wash the arms in soapy and warm water and use a soft brush to clean the jets. Replace them after rinsing them thoroughly.



Cleaning The Filters

Filter assembly

For best performance and results, the filter assembly must be cleaned. The filter efficiently removes food particles from the wash water, allowing it to be re-circulated during the cycle. For this reason, it is a good idea to remove the larger food particles trapped in the filter after each wash cycle by rinsing the semicircular filter and cup under running water. To remove the filter assembly, pull on the cup handle in the upward direction. The entire filter assembly should be cleaned at least once a month.



To clean the coarse filter and the fine filter, use a cleaning brush. Then, reassemble the filter parts as shown in the figures and reinsert the entire assembly in the dishwasher, positioning it in its seat and pressing downward.

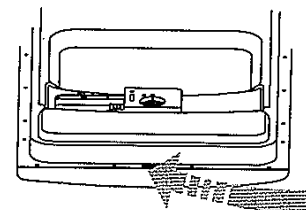
The dishwasher must never be used without the filters. Improper replacement of the filter may reduce the performance level of the appliance and damage dishes and utensils.

WARNING – Never run the dishwasher without the filters in place.

Cleaning The Door

To clean the edge around the door, you should use only a soft warm, damp rag. To prevent penetration of water into the door lock and electrical components, do not use a spray cleaner of any kind.

Also, never use abrasive cleaners or scouring pads on the outer surfaces because they will scratch the finish. Some paper towels can also scratch or leave marks on the surface.



WARNING - Never use a spray cleaner to clean the door panel for it could damage the door lock and electrical components. It is not allowed to use the abrasive agent or some paper towel because of the risk of scratching or leaving spots on the stainless steel surface.

How To Keep Your Dishwasher In Shape

After every wash

After every wash, turn off the water supply to the appliance and leave the door slightly ajar so that moisture and odors are not trapped inside.

No solvents or abrasive cleaning products

To clean the exterior and rubber parts of the dishwasher, do not use solvents or abrasive cleaning products. Rather, use only a cloth and warm soapy water. To remove spots or stains from the surface of the interior, use a cloth dampened with water and a little white vinegar, or a cleaning product made specifically for dishwashers.

When you go on Holiday

When you go on holiday, it is recommended that you run a wash cycle with the dishwasher empty and then remove the plug from the AC socket, turn off the water supply and leave the door of the appliance slightly ajar. This will help the seals last longer and prevent odors from forming within the appliance.

Seals

One of the factors that cause odors to form in the dishwasher is food that remains trapped in the seals. Periodic cleaning with a damp sponge will prevent this from occurring.

PROBLEMS WITH YOUR DISHWASHER?

You can solve many common dishwasher problems easily, saving you the cost of a possible service call. Try the suggestions below to see if you can solve the problem before calling the servicer.

TROUBLESHOOTING GUIDE

PROBLEM	POSSIBLE CAUSE	WHAT TO DO
Dishwasher does not operate.	The circuit breaker tripped or blown fuse. Power supply is not turned on. The dishwasher temperature control is set at "OFF". Water pressure is low.	Replace fuse or reset circuit breaker. Remove any other appliances sharing the same circuit with the dishwasher. Make sure the dishwasher is turned on and the door is closed securely. Make sure the power cord is properly connected. Check that the water supply is connected properly and the water is turned on.
Drain pump doesn't stop	Overflow	The system is designed to detect an overflow. When it doesn't it shuts off the circulation pump and turns on the drain pump.
Noise	Some audible sounds are normal. Utensils are not secure in the baskets or something small has dropped into the basket. Motor hums.	Sound from soft food shredding action and detergent cup opening. Ensure everything is secured in the dishwasher. Dishwasher has not been used regularly. If you do not use it often, remember to set it to fill and pump out every week, which will help keep the seal moist.
Suds in the tub	Improper detergent.	Use only the special dishwasher detergent to avoid suds. If this occurs, open the dishwasher and let suds evaporate. Add 1 gallon of cold water to the tub. Close and latch the dishwasher, then

	Spilled rinse agent.	drain out the water by slowly turning the dial until a drain period is reached. Repeat if necessary. Always wipe up rinse agent spills immediately.
Stained tub interior	Detergent with colorant was used.	Make sure that the detergent is the one without colorant.
Dishes are not dried	Rinse agent dispenser is empty.	Make sure the rinse agent dispenser is filled.
Dishes and flatware not clean.	Improper program. Improper rack loading.	Select a stronger program. Make sure that the action for the detergent dispenser and spray arms are not blocked by large dishware.
Cloudiness on glassware.	Combination of soft water and too much detergent.	Use less detergent if you have soft water and select a shorter cycle to wash the glassware to get them clean.
Yellow or brown film on inside surfaces.	Tea or coffee stains. Iron deposits in water can cause an overall film.	Using a solution of ½ cup bleach and 3 cups warm water to remove the stains by hand. Warning You have to wait for 20 minutes after a cycle to let the heating elements cool down before cleaning interior: otherwise, burns will happen. You have to call a water softener company for a special filter.
White film on inside surface.	Hard water minerals	To clean the interior, use a damp sponge with dishwasher detergent and wear rubber gloves. Never use any other cleaner than dishwasher detergent for the risk of foaming or suds.
Detergent left in dispenser cups.	Dishes block detergent cups.	Re-load the dishes properly.
Steam	Normal phenomenon	There is some steam coming through the vent by the door latch during drying and water draining.
Black or gray marks on dishes.	Aluminum utensils have rubbed against dishes.	Use a mild abrasive cleaner to eliminate those marks.
Water standing in the bottom of the tub.	This is normal.	A small amount of clean water around the outlet on the tub bottom at the back of the tub keeps the water seal lubricated.
Water doesn't pump out of the tub.	Drain is clogged.	Make sure the kitchen sink is draining well. If the dishwasher drains into a disposer, run it clear.
Dishwasher leaks.	Overfill dispenser or rinse aid spills. Dishwasher isn't level.	Be careful not to overfill the rinse aid dispenser. Spilled rinse aid could cause oversudsing and lead to overflowing. Wipe away any spills with a damp cloth. Make sure the dishwasher is level.

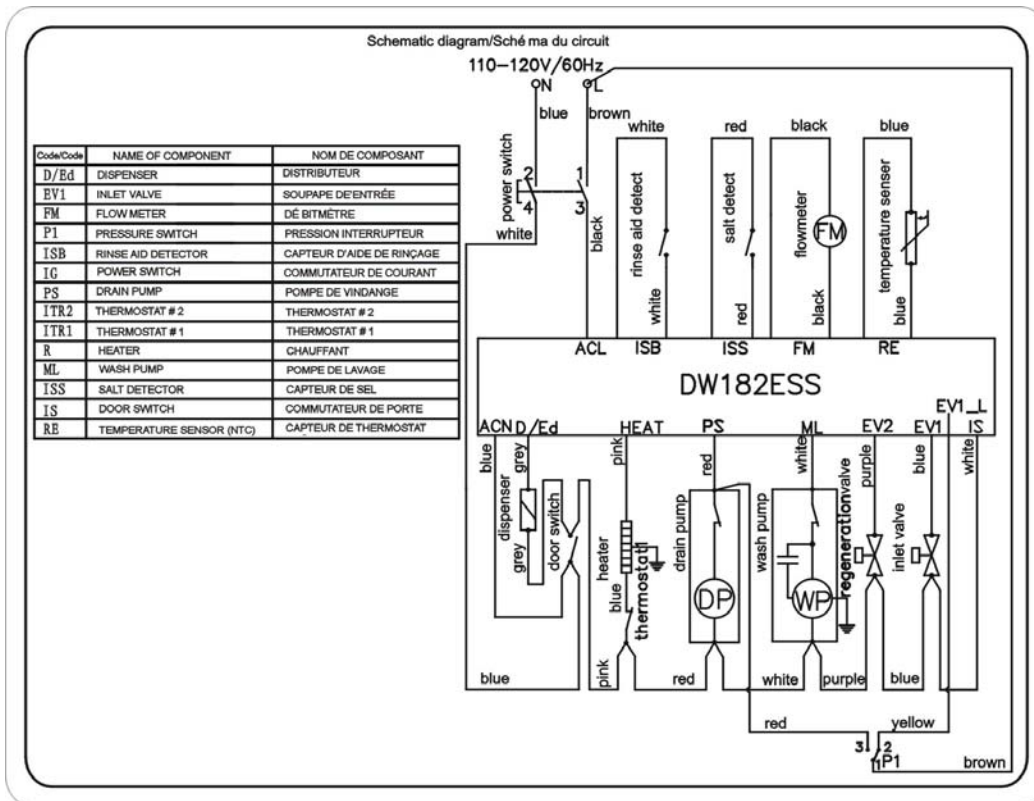
SERVICE FOR YOUR DISHWASHER

We are proud of our customer service organization and the network of professional service technicians that provide service on your Avanti dishwashers. With the purchase of your Avanti dishwasher, you can have the confidence that if you ever need additional information or assistance, the Avanti Products Customer Service team will be here for you. Just call us toll-free.

AVANTI PRODUCTS CUSTOMER SERVICES

Product Information 800-323-5029	Whatever your questions are about our products, help is available.
Part Orders 800-220-5570	You may order parts and accessories that will be delivered directly to your home, by personal check, money order, Master Card, or Visa.
In-Home Repair Service 800-220-5570	An Avanti Products authorized service center will provide expert repair service, scheduled at a time that is convenient for you. Our trained servicers know your dishwasher inside and out.

Wiring Diagram



WHAT IS COVERED
LIMITED ONE-YEAR
WARRANTY

For one year from the date of purchase by the original owner, Avanti Products will, at its option, repair or replace any part of the dishwasher which proves to be defective in material or workmanship under normal use.

During this period Avanti Products will provide all parts and labor necessary to correct such defects free of charge, so long as the dishwasher has been installed and operated in accordance with the written instructions in this manual. In rental or commercial use, the warranty period is 90 days. Avanti Products will provide you with a reasonably similar replacement product that is either new or factory refurbished. All Avanti Appliances of 3.5 cubic feet capacity or less must be brought/sent to the appliance service shop for repair.

WHAT IS NOT COVERED

- Incidental or consequential damages.
- Parts and labor costs for the following will not be considered as warranty:
 - Doors, door springs, and/or frames.
 - Inner door panels, door shelves, door rails, and/or door supports.
 - Light bulbs and/or plastic housing.
 - Plastic cabinet liners.
 - Shipping and Handling costs associated with replacement of the unit.
 - Repairs performed by unauthorized servicers.
- Service calls that do not involve defects in material or workmanship such as customer education, door reversal, or proper installation.
- Service calls that are related to external problems, such as abuse, misuse, inadequate electrical power, accidents, fire, floods, or acts of God.
- Surcharges including, but not limited to, any after-hour, weekend, or holiday service calls, tolls, ferry trip charges, or mileage expense for service calls to remote areas, including the State of Alaska.
- Replacement of house fuses or resetting circuit breakers.
- Failure of the product if it is used for other than its intended purpose.
- This warranty does not apply outside the Continental U.S.A..

INSTRUCCIONES EN ESPAÑOL

PRECAUCION	Para reducir el riesgo de incendio, descarga eléctrica, o daño cuando use su electrodoméstico, siga las siguientes precauciones.
<ul style="list-style-type: none">• Lea todas las instrucciones antes de usar su electrodoméstico.• Peligro o Precaución: Existe el riesgo que los niños queden atrapados.• Niños atrapados o sofocamiento no son un problema del pasado. Los electrodomésticos son peligrosos aún si solo los deja en el garaje por un par de días.• Antes de desechar su equipo usado: quítele las puertas. Deje la repisa en su lugar para evitar que los niños se queden atrapados.• No permita que los niños manejen, jueguen o entren dentro del electrodoméstico.• No limpie su electrodoméstico con líquidos inflamables. Los gases pueden ocasionar fuego o una explosión.• No guarde ni use gasolina u otros líquidos inflamables cerca de este o de cualquier otro electrodoméstico. Los vapores pueden ocasionar fuego o explosión.	
- <u>Guarde estas instrucciones.</u> -	

INFORMACIONES IMPORTANTES DE SEGURIDAD LEA TODAS LAS INSTRUCCIONES ANTES DE USAR EL EQUIPO

ADVERTENCIA

Cuando use el lavaplatos siga las instrucciones básicas indicadas a continuación

ADVERTENCIA. EL HIDROGENO ES UN GAS EXPLOSIVO

Bajo ciertas condiciones, el gas de hidrógeno se puede producir en un sistema de agua caliente que no ha sido usado por más de dos semanas. **EL HIDROGENO ES UN GAS EXPLOSIVO.**

Si el sistema de agua caliente no va a ser usado por un periodo de tiempo, cierre todas las llaves de agua caliente y deje correr el agua fría por varios minutos antes de usar el lavaplatos. Esto liberará cualquier residuo de gas hidrógeno acumulado. Debido a lo inflamable de este gas, no fume o haga fuego alrededor.

INSTRUCCIONES DE ALAMBRADO

Tipos de Cable Alambrado

Este equipo debe estar alambrado a tierra. En el evento en que ocurra alguna rotura o mal funcionamiento, el alambrado a tierra reducirá el riesgo de descarga eléctrica proveyendo un camino de menor resistencia para la corriente eléctrica. Este equipo viene con un cable con enchufe a tierra. El cable debe estar conectado a un enchufe apropiado, el cual deberá cumplir todas las ordenanzas y códigos locales.

ADVERTENCIA

La conexión inapropiada del cable a tierra incrementará el riesgo de descargas eléctricas. Verifique con un electricista o personal de servicio calificados la conexión apropiada del equipo. Si necesita realizar alguna modificación en el enchufe a tierra, le recomendamos contratar los servicios de un electricista.

USO APROPIADO

- No maltrate, se siente o se pare en la puerta o la bandeja del lavaplatos.
- No toque el calentador durante o justamente después de usar el lavaplatos.
- No lave artículos de plástico, a menos que estos indiquen que son aptos para lavaplatos, para los artículos que no lleven indicación, lea las recomendaciones del fabricante.
- Use sólo detergentes y aditivos de enjuague diseñados para lavaplatos automáticos. No use jabón, detergente para ropa o detergente de lavado a mano en su equipo.
- Mantenga el detergente y los aditivos de enjuague fuera del alcance de los niños. Mantenga a los niños lejos del lavaplatos cuando la puerta esté abierta, ya que podrían quedar residuos de detergente en el interior.
- La puerta no debe quedar abierta, ya que podría causar tropiezos y caídas.
- Durante la instalación, el sistema de suministro eléctrico no debe estar doblado o aplanado.
- Para reducir el riesgo de accidentes, no permita a los niños jugar en o con el lavaplatos.
- No utilice su lavaplatos a menos que todos los paneles interiores estén en su lugar. Abra cuidadosamente el lavaplatos si este esta operando, existe el riesgo de una fuga de agua.
- No coloque objetos pesados sobre la puerta abierta. El equipo podría inclinarse hacia adelante.

Cuando esté cargando los artículos a limpiar:

- Coloque los artículos afilados de manera que no dañen el sello de la puerta.
- Coloque los filos de los cuchillos hacia abajo para reducir el riesgo de cortes.
- Si el cordón del enchufe esta dañado, deberá ser reemplazado por el fabricante, su agente de servicios o una persona calificada.
- Deshágase de los materiales de empaque apropiadamente.
- Use el lavaplatos sólo para las funciones para las que fue diseñado.
- Quite la puerta del compartimiento de lavado cuando cambie o deseche un lavaplatos.
- No juegue con los controles.

LEA Y SIGA CUIDADOSAMENTE ESTA INFORMACION DE SEGURIDAD
 GUARDE ESTAS INSTRUCCIONES

TABLA DE CICLO DE LAVADO

Programa	Ciclo	Información de Selección de Ciclo	Descripción de ciclo	Detergente pre/principal	Aditiv Enjuag
Normal	Lavado Normal	Para cargas de suciedad normal Como ollas, platos, vasos y sartenes ligeramente sucios. Ciclo diario estándar	Pre-enjuague Lavado (60 °C) Enjuague Enjuague (72 °C) Secado	4/20 gr	X
Heavy (Intensivo)	Lavado Normal	Para cargas de mucha suciedad, Como ollas, sartenes, cacerolas y platos con comida seca, por un Mayor tiempo	Pre-enjuague(50 °C) Lavado (60 °C) Enjuague Enjuague Enjuague (72 °C) Secado	4/20 gr	X
Light (Economico)	Lavado Ligero	Para cargas de suciedad ligera como platos, vasos, ensaladeras	Lavado (60 °C) Enjuague	20 gr	X

		y sartenes ligeramente sucios.	Enjuague (72 °C)		
Enjuague	Enjuague	Para platos que necesitan ser enjuagados y secados solamente	Enjuague Enjuague (68 °C) Secado		X
Vidrio	Cristales Vidrio	Para cargas de suciedad ligera como vasos, cristales y vajilla China	Enjuague (45 °C) Enjuague (72 °C) Secado	15 gr	
Rápido	Cristales Vidrio	Pequeño lavado para cargas de suciedad ligera que no necesitan	Enjuague (45 °C) Enjuague (50 °C)	15 gr	
Remojar	Remojar	Para enjuagar platos que planee lavar mas tarde ese mismo día	Pre-enjuague		

Protección contra el sobre flujo de agua

Este lavaplatos cuenta con un sistema de protección contra el sobre flujo de agua, el mismo cierra la válvula de entrada de agua y activa la bomba de drenaje cuando el nivel del agua sube demasiado. Si esto ocurre, cierre la llave principal de entrada de agua antes de llamar al personal de servicio. Si hay agua en la bandeja de la base debido al sobre flujo o existe algún tipo de goteo, el agua deberá retirarse antes de reiniciar el funcionamiento del lavaplatos.

Dispensador de Detergente

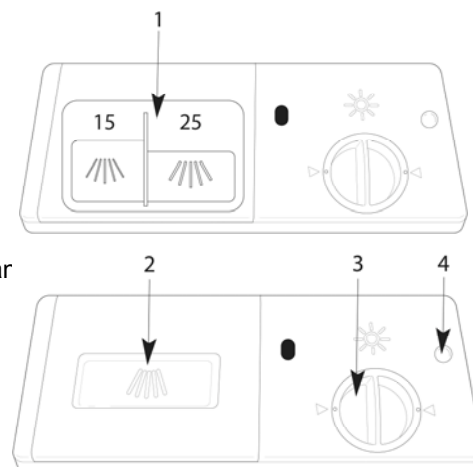
El dispensador debe rellenarse antes de comenzar cada ciclo de lavado de acuerdo a las instrucciones detalladas en la tabla de ciclo de lavado. Este lavaplatos usa menor cantidad de detergente y aditivos de enjuague que los lavaplatos convencionales. Generalmente, sólo se necesitará una cucharada de detergente para una carga en el programa de lavado normal. Los artículos más sucios necesitaran mayor cantidad de detergente. Siempre añada el detergente justo antes de iniciar el lavaplatos, de otra manera podría humedecerse y no disolverse apropiadamente.

Cantidad de detergente a usar

SI EL AGUA NO ES MUY DURA, USTED PODRA PREVENIR LA FORMACION DE DEPOSITOS AÑADIENDO DETERGENTE.

La cantidad de detergente que necesite variará dependiendo de la dureza del agua. Para determinar la dureza del agua en su localidad, comuníquese con su compañía proveedora de agua. Mientras más dura sea el agua, mayor será la cantidad de detergente a utilizar. Recuerde, usted debe encontrar la cantidad de detergente que debe usar añadiendo pequeñas car exacta.

- 1: Depósito principal de detergente
 - 2: Depósito de detergente de pre-lavado
 - 3: Depósito de aditivos de enjuague
 - 4: Indicador de nivel de aditivos de enjuague
- Quitando manchas de agua dura de los platos



Para quitar las manchas producidas por el agua dura, siga estos consejos:

Ponga los platos en el programa de lavado normal.

Quite todo objeto metálico, como cubiertos, sartenes, etc.) del lavaplatos.

No añada detergente.

Eche dos tazas de vinagre en una ensaladera, colóquela en la rejilla inferior del lavaplatos. Inicie el programa de lavado normal.

Si esto no funciona, realice el mismo proceso usando ¼ de taza de cristales de ácido cítrico en lugar del vinagre.

Uso adecuado del detergente

Solamente use detergente para lavaplatos.

Conserve el detergente en un lugar fresco y seco.

No vierta el detergente en polvo hasta el momento mismo de lavar los platos.

ADVERTENCIA!

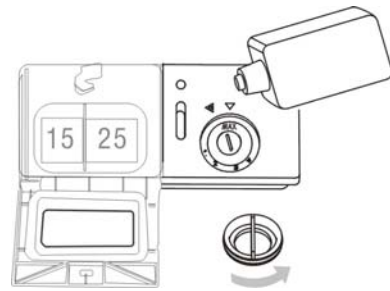
El detergente para lavaplatos es corrosivo. Tenga el cuidado de mantenerlo lejos del alcance de los niños.

DEPOSITO DE ADITIVOS DE ENJUAGUE

Para abrir el depósito, de vuelta a la tapa hacia la flecha izquierda (“open”) y tire de ella.

Vierta el aditivo de enjuague en el depósito, tenga cuidado de no sobrepasar el tope de llenado.

Coloque la tapa alineándola con la flecha izquierda (“open”) y dándole vuelta hacia la flecha derecha (“close”).



Los aditivos de enjuague se liberarán durante el enjuague final para prevenir que el agua forme gotas en sus platos las que podrían dejar manchas y rayas. También mejoran el secado permitiendo que el agua se escurra más fácilmente de los platos.

Este lavaplatos está diseñado para usar aditivos de enjuague líquidos. El depósito está situado dentro de la puerta, junto al depósito de detergente

Para llenar el depósito, abra la tapa y eche el aditivo de enjuague hasta que el indicador de nivel se torne completamente negro. El depósito tiene capacidad para 100 ml

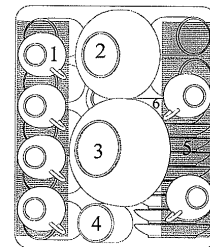
Debe tener cuidado de no llenar el depósito por encima del nivel permitido, esto podría causar excesos de espuma. Limpie con un paño húmedo cualquier derrame o salpicadura. No se olvide de colocar la tapa en su lugar antes de cerrar la puerta del lavaplatos.

Si su localidad tiene agua blanda, no deberá usar el aditivo de enjuague ya que éste podría dejar una capa blanca sobre sus platos.

Como usar la parrilla superior

Le recomendamos que coloque los artículos pequeños y los más fáciles de limpiar, en la parrilla superior: vasos, copas, tapas, platos de servicio y ensaladeras, como se muestra en la figura.

Es preferible que coloque los platos de servicio y las tapas en los lados de la parrilla para que no interrumpan la rotación del brazo distribuidor.



Como usar la parrilla inferior

Le recomendamos que coloque los artículos grandes y los más difíciles de limpiar, en la parrilla inferior: ollas, sartenes, tapas, platos de servicio y ensaladeras, como se muestra en la figura.

Es preferible que coloque los platos de servicio y las tapas en los lados de la parrilla para que no interrumpan la rotación del brazo distribuidor.

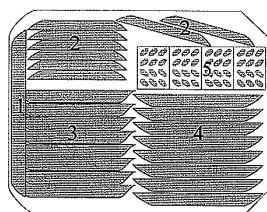
Las ollas, ensaladeras, etc., se deben poner boca abajo.

Las ollas hondas deben estar colocadas de manera que permitan el flujo adecuado del agua.

La parrilla inferior se puede acomodar para que mas ollas u ollas más grandes y sartenes puedan ser

incluidas.

1	2	2
		5
	3	4

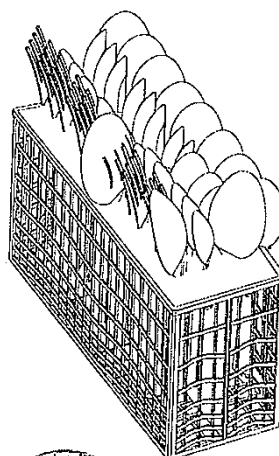


Bandejas Ovaes
Platos de comida
Platos de sopa
Platos de postre
Canasta para cubiertos

Canasta para cubiertos

Los cubiertos se deben colocar en las áreas designadas en la canasta de cubiertos con los mangos hacia abajo: Si la rejilla tiene canastas laterales, las cucharas deberán insertarse individualmente en las ranuras apropiadas, los utensilios especialmente largos, deben colocarse en posición horizontal al frente de la rejilla superior.

1	4	5	2
1	4	5	
1	4	5	2
1	4	5	2
1	4	5	
4	4	5	2
7	4	5	2
8	3	5	
1	3	3	2
1	3	3	2
1	3	3	
6	3	6	2

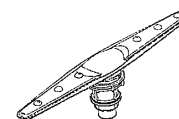


Tenedores
Cucharas de sopa
Cucharas de postre
Cucharitas de té
Cuchillos
Cucharas de servicio
Cucharón de salsa
Tenedores de servicio



Limpiando los brazos distribuidores

Es necesario limpiar los brazos distribuidores regularmente, los químicos del agua dura pueden tupid el brazo distribuidor y el eje. Para sacar el brazo distribuidor, desenrosque la tuerca para sacar el limpiador de la parte superior del brazo distribuidor. Limpie los brazos con agua tibia y jabonosa, use una pequeña brocha para limpiar los distribuidores. Reinstálelos después de haberlos secado.



Limpiando los filtros

Es necesario sacar y limpiar el filtro periódicamente removiendo las partículas de comida en el agua de lavado permitiendo que recircule durante el ciclo.

Ensamble del filtro.

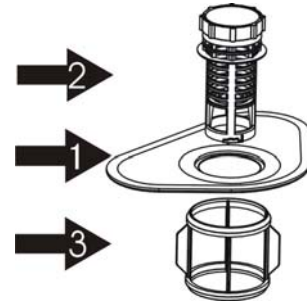
Para mejores resultados, limpie el filtro.

El filtro remueve partículas de comida del agua de lavado, permitiendo que recircule durante el ciclo. Por esta razón, es una buena idea quitar las grandes partículas de comida atrapadas en el filtro después de cada ciclo de lavado enjuagando el filtro semicircular y la taza.

Para sacar el sistema del filtro, hale la manija de la taza hacia arriba. El sistema entero del filtro deberá ser limpiado al menos una vez al mes.

Para limpiar el filtro grueso y el fino use un cepillo limpiador, luego ensamble nuevamente las partes del filtro como se muestra en las figuras de la izquierda y reinserte el ensamblaje completo en el lavaplatos, ubicándolo en su sitio y presionando hacia abajo.

El lavaplatos no debe usarse sin el filtro. El reemplazo inapropiado del filtro reducirá los niveles de funcionamiento del equipo así como también dañando platos y utensilios.



ADVERTENCIA: Nunca use el lavaplatos sin filtro.

Limpiando la puerta

Para limpiar el borde alrededor de la puerta use un trapo húmedo, suave y tibio. Para prevenir el ingreso de agua al seguro de la puerta y a componentes eléctricos, no use limpiadores en aerosol de ninguna clase. Tampoco use limpiadores con abrasivos o paños desgrasadores ya que podrían arañar la superficie. Algunos papeles toalla podrían también arañar o dejar marcas en la superficie.

ADVERTENCIA

Tampoco use agentes abrasivos o papel toalla áspero debido al riesgo de arañar el equipo o dejar manchas en las superficies de acero inoxidable.

Limpiando la Bomba de Drenaje

Ocasionalmente algo caerá dentro del filtro y la bomba de drenaje. Si esto ocurre, la bomba de drenaje empleada en este equipo, está diseñada para revertir el sistema de drenaje automáticamente, de manera que devolverá el artículo en el desagüe. Si por algún motivo usted tuviera que retirar manualmente un artículo de la bomba de drenaje, antes de quitar los filtros, usted deberá apagar y desconectar el equipo de la corriente luego quitar el pequeño inserto negro del sumidero. En caso de haber residuos de agua, estos deberán ser secados antes de proseguir. Saque el artículo que causa la obstrucción, este debe encontrarse en el sumidero. Recuerde colocar el inserto negro antes de re-instalar los filtros.

MANTENIMIENTO

Después de cada lavado

Cierre la llave del ingreso de agua y deje la puerta ligeramente entreabierta, de esta manera la humedad y los malos olores no quedarán atrapados en el interior.

No use productos de limpieza solventes o abrasivos

Para limpiar las superficies exteriores y las partes de goma no use productos de limpieza solventes o abrasivos. En lugar de estos productos use un paño limpio y agua tibia jabonosa. Para quitar manchas u óxido de la superficie interior del equipo use un paño humedecido con agua y un poco de vinagre o un producto de limpieza diseñado específicamente para lavaplatos.

Cuando se vaya de vacaciones

Se recomienda que realice un ciclo de lavado con el lavaplatos vacío, desenchufe el equipo, cierre la llave de entrada de agua y deje la puerta del lavaplatos ligeramente entreabierta. Esto alargará la vida de los sellos del equipo y prevendrá la formación de malos olores en el interior del mismo.

Sellos

Uno de los factores que causa el mal olor en el lavaplatos es la comida que queda atrapada en los sellos. Periódicamente límpielos con una esponja húmeda, lo cual prevendrá la formación de los mismos.

ANTES DE LLAMAR AL SERVICIO TECNICO

Problema	Posibles Causas	Que hacer? Selección de Ciclo
Hay una capa blanca en los platos	Combinación de agua blanda y mucho detergente	Use menos detergente si tiene agua blanda y seleccione un ciclo de lavado más corto para lavar la cristalería.
Hay una capa amarilla o marrón en las superficies internas Hay una capa blanca en las superficies internas	Manchas de té o café Los depósitos de hierro en el agua pueden causar una capa en todo el equipo Minerales de agua dura	Use una mezcla de 1/2 taza de blanqueador y 3 tazas de agua tibia para quitar manualmente las manchas. Llamar a la compañía de agua y pida un filtro especial. Para limpiar el interior, use una esponja húmeda con detergente para lavaplatos y use guantes de goma. Nunca use otra clase de limpiador que no sea el diseñado específicamente para lavaplatos. Reacomode los platos apropiadamente.
Hay detergente en las tazas dispensadoras	Los platos bloquean las tazas de detergente	Siempre habrá algo de vapor que se escape por entre la puerta durante el desagüe y el secado.
Vapor	Normal	Use un limpiador abrasivo suave para eliminar esas marcas.
Manchas negras y grises en los platos	Artículos de aluminio junto a los platos	Un poco de agua limpia cerca del ingreso de agua en el fondo de la tina mantendrá el sello de agua lubricado.
Hay agua en el fondo de la tina	Normal	Asegúrese que el lavadero de la cocina esté drenando bien. Si su equipo drena en un regulador, debe limpiarlo o destupirlo.
El agua en la tina no drena	El desagüe está tupidado	Asegúrese de no sobrecargar el depósito de aditivos para el enjuague. El derrame de este fluido puede causar exceso de espuma y derrames. Limpie cualquier salpicadura o exceso con un paño húmedo. Asegúrese de nivelar correctamente el lavaplatos.
El lavaplatos gotea El lavaplatos hace ruido	Depósitos sobrecargados o el aditivo de enjuague se está derramando El lavaplatos está desnivelado	

Registration Information

Thank you for purchasing this fine Avanti product. Please fill out this card and return it within 100 days of purchase and receive these important benefits:

- **Protect your product:**
We will keep the model number and date of purchase of your new Avanti product on file to help you refer to this information in the event of an insurance claim such as fire or theft.
- **Promote better products:**
We value your input. Your responses will help us develop products designed to best meet your future needs.

------(detach here)-----

Avanti Registration Card

Name

Model # Serial #

Address

Date Purchased Store/Dealer Name

City State Zip

Occupation

Area Code Phone Number

As Your Primary Residence, Do You:

Own Rent

Did You Purchase An Additional Warranty:

Extended None

Reason For Choosing This Avanti Product:

Please indicate the most important factors that influenced your decision to purchase this product.

- Price
 Product Features
 Avanti Reputation
 Product Quality
 Salesperson Recommendation
 Other _____
 Friend/Relative Recommendation
 Warranty
 Other _____

Your Age:

under 18 18-25 26-30
 31-35 36-50 over 50

Marital Status:

Married Single

Is This Product Used In The:

Home Business

How Did You Learn About This Product:

Advertising
 In Store Demo Personal Demo

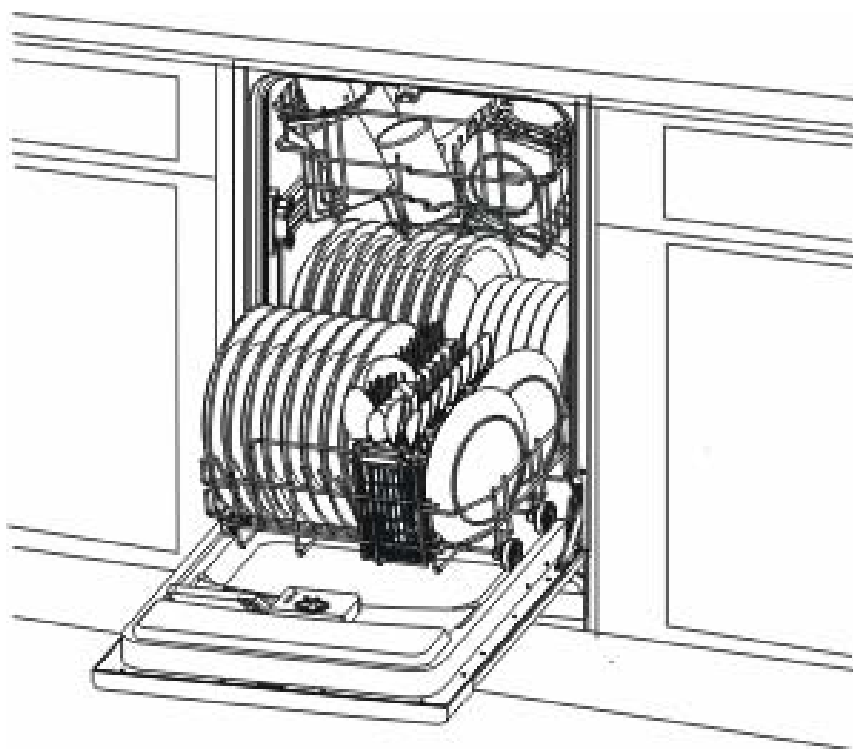
Comments

PRINTED IN CHINA



**BUILT-IN DISHWASHER / LAVAPLATOS
INSTALLATION MANUAL / MANUAL DE INSTALACION**

Model Numbers / Número de Modelos: DW182ESS / DW183W / DW184B



READ CAREFULLY AND SAVE THESE INSTRUCTIONS.

INSTRUCCIONES EN ESPAÑOL (VEA PAGINA 12).

**Avanti Products, A Division of The Mackle Co., Inc.
P.O. Box 520604 - Miami, Florida 33172
www.avantiproductions.com**

TABLE OF CONTENTS

Before Installation	3
Water Heater Safety	3
Proper Installation and Maintenance	3
Parts Supplied	4
Materials You Will Need	4
Tools You Will Need	4
Prepare Dishwasher Enclosure	5
Ways Of Drain Connection	5
Prepare Hot Water Line	6
Prepare Electrical Connection	6
Before You Begin	7
Check Door Balance And Remove Toekick	7
Position Water Line And House Wiring	8
Insert Drain Hose Through Cabinet	8
Slide Dishwasher Partially Into Cabinet	8
Level Dishwasher	8
Push Dishwasher Into Final Position	9
Connect Water Supply	9
Drain Line Installation	9
Connect Power Supply	10
Pre-Test Check List	10
Dishwasher Wet Test	10
Replace The Toekick	11
INSTRUCCIONES EN ESPAÑOL	12~14

IMPORTANT SAFETY INFORMATION

READ ALL INSTRUCTIONS BEFORE INSTALLATION

➤ **Before Installation**

- **IMPORTANT** – Observe all governing codes and ordinances.
- **NOTE TO INSTALLER** – Be sure to leave these instructions for the consumers and local inspectors use.
- **NOTE TO CONSUMER** – Keep these instructions with your Instruction Manual for future reference.
- **SKILL LEVEL** – Installation of this dishwasher requires basic mechanical and electrical skills. Proper installation is the responsibility of the installer. Product failure due to improper installation is not covered under the Avanti Products Warranty.
- **IMPORTANT** – The dishwasher must be installed to allow for future removal from the enclosure if service is required.
- **FOR YOUR SAFETY** – Read and observe all CAUTIONS and WARNING shown throughout these instructions.

NOTE: *If you received a damaged dishwasher, you should immediately contact your dealer or builder.*

➤ **Water Heater Safety**

Under certain conditions hydrogen may be produced in a water heater that has not been used for two weeks or more. Hydrogen gas is explosive.

If the hot water has not been used for two weeks or more, prevent the possibility of damage or injury by turning on all hot water faucets and allow them to run for several minutes. You must do this before using any electrical appliances which are connected to the hot water system. This simple procedure will allow any built-up hydrogen gas to escape. Since the gas is flammable, do not smoke or use an open flame or appliance during this process.

Use this appliance only for its intended purpose as described in the Instruction Manual.

➤ **Proper Installation and Maintenance**

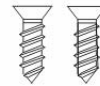
Connect a permanent wiring system to a grounded metal, or run an equipment-grounding terminal to lead of the appliance.

Improper connection of the equipment-grounding conductor can result in a risk of electric shock. Check with a qualified electrician or service representative if you are in doubt whether the appliance is properly grounded.

Dispose of discarded appliances

➤ **Parts Supplied**

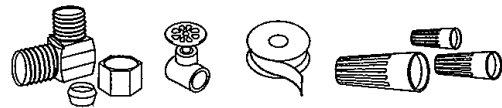
Two #8 Philips flat head wood screws, 5/8" long to secure dishwasher to underside of countertop or to side of cabinetry. (Taped to top or side of dishwasher.)



Wood Screws

➤ **Materials You Will Need**

- Ferrule, compression nut and 90° Elbow (3/8" NPT external thread on one end, opposite end sized to fit water supply)
- Thread seal tape
- UL listed wire nuts



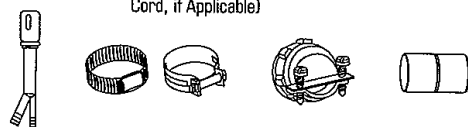
90° Elbow, Ferrule and Compression Nut Hand Shut-Off Valve Thread Seal Tape Wire Nuts (3)

Materials For New Installations Only:

- Air gap for drain hose, if required.
- Waste tee for house plumbing, if applicable
- Electrical cable or power cord, if applicable
- Screw type hose clamps
- Strain relief for electrical connection
- Hand shut-off valve (recommended)
- Water line 3/8" min. copper or 1/2" min. Plastic (plastic must be tested for temperature and pressure).
- Coupler for extending drain line, if applicable.



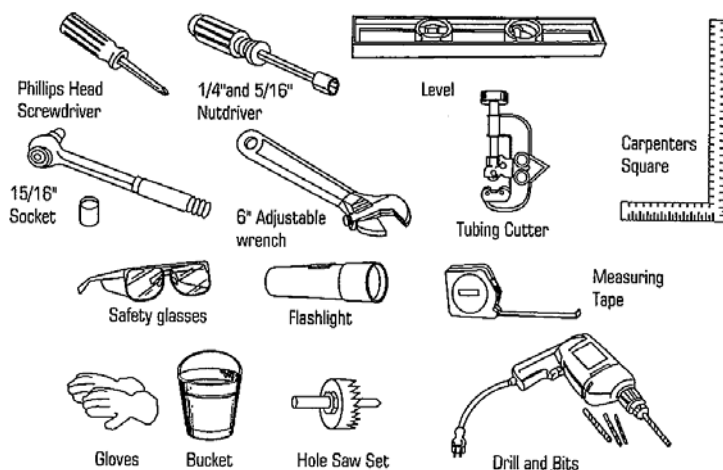
Waste Tee Electrical Cable (Or Power Cord, if Applicable) Hot Water line



Air Gap Screw Type hose Clamps Strain Relief Coupler

➤ **Tools You Will Need**

- Phillips head screwdriver
- 1/4" and 5/16" nutdriver
- 6" adjustable wrench
- Level
- Carpenters square
- Measuring tape
- Safety glasses
- Flashlight
- Bucket to catch water when flushing the line
- 15/16" socket (optional for skid removal)
- Gloves

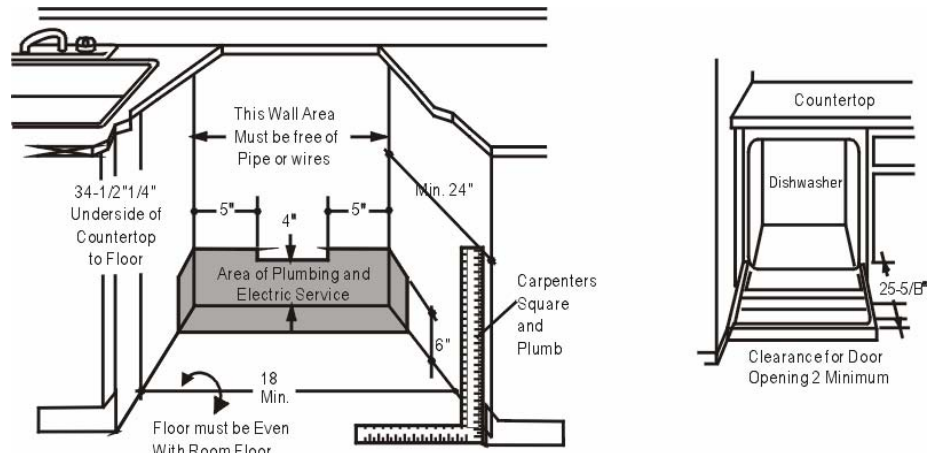


For New Installations Only:

- Tubing cutter
- Drill and appropriate bits
- Hole saw set

➤ **Prepare Dishwasher Enclosure**

- The rough cabinet opening must be at least 24" deep, 18" wide and approximately 34½" high from floor to underside of the countertop.
- The dishwasher must be installed so that drain hose is no more than 10 feet in length for proper drainage. Follow local codes and ordinance.
- The dishwasher must be fully enclosed on the top, sides and back, and must not support any part of the enclosure.

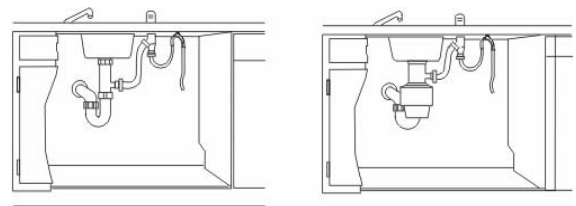


CLEARANCES: When installed into a corner, allow 2" min. clearance between dishwasher and adjacent cabinet, wall or other appliances (Allow 28 3/8 min.) clearance from the front of the dishwasher for door opening.

➤ **Ways Of Drain Connection**

- Follow local codes and ordinances.
- Do not exceed 10 feet distance to drain.

Note: This dishwasher is equipped with a high drain loop. There is no minimum height required for drain hose routing. However, 18" minimum from floor to center of waste tee or disposer inlet is required.



Method 1- Air Gap with Waste Tee or Disposer

An air gap must be used when required by local codes and ordinances. The air gap must be installed according to manufacturers instructions.

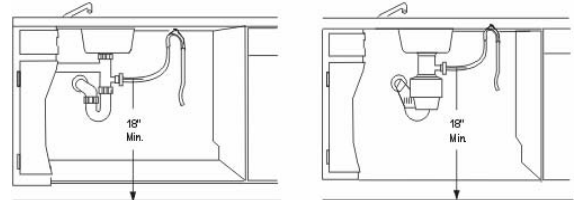
Determine Drain Method

The type of drain installation depends on the following question.

- Do local codes or ordinances require an air gap?
- Is waste tee less than 18" above floor?

If the answer to either question is Yes, Method 1 must be used.

If the answers are NO, either method may be used.

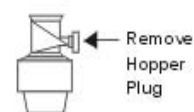


Method 2- Built-in High Drain Loop with Waste Tee or Disposer

Cabinet Preparation

Drill a 1½" diameter hole in the cabinet wall within the shaded areas shown in figure for the drain hose connection. The hole should be smooth with no sharp edges.

IMPORTANT: when connecting drain line to disposer, check to be sure that drain plug has been removed. **DISHWASHER WILL NOT DRAIN IF PLUG IS LEFT IN PLACE.**

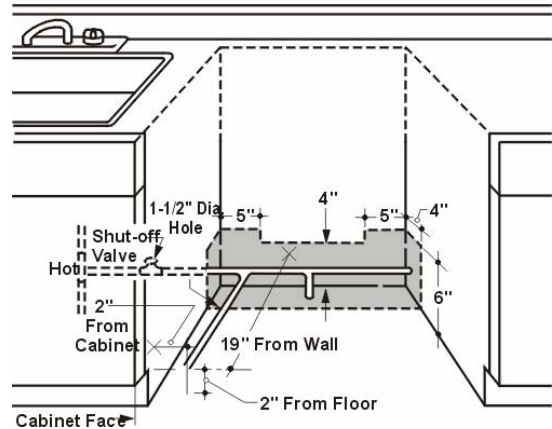


➤ **Prepare Hot Water Line**

- The line may enter from either side, rear or floor within the shaded area shown in figure.
- The line may pass through the same hole as the electrical cable and drain hose. Or, cut an additional 1½" dia. Hole to accommodate the water line. IF power cord with plug is used, water line must not pass through power cord hole.

Water Line Connection

- Turn off the water supply.
- Install a hand shut-off valve in an accessible location, such as under the sink. (Optional, but strongly recommended and may be required by local codes.)
- Water connection is on the left side of the dishwasher. Install the hot water inlet line, using no less than 3/8" O.D. copper tubing. Route the line as shown in figure and extend forward at least 19" from rear wall.
- Adjust water heater for 120°F to 150°F temperature.
- Flush water line to clean out debris.
- The hot water supply line pressure must be 20-120PSI.



➤ **Prepare Electrical Connection**

⚡ WARNING ⚡
 Improper use of the grounded plug can result in the risk of electrical shock. If the power cord is damaged, have it replaced by an authorized Avanti Products service center.

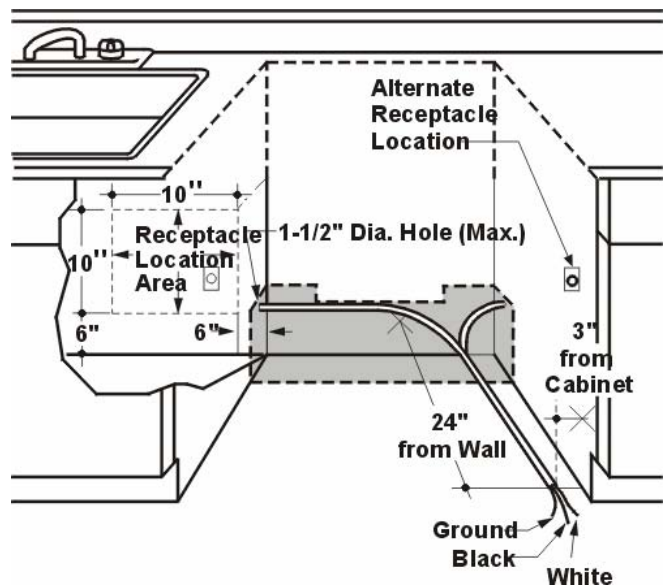
WARNING
The electrical installation shown below must be performed by a qualified and licensed electrician, following all of the electrical codes and ordinances

- This dishwasher should be properly grounded for your safety. The power cord of this dishwasher is equipped with a ground lead which can connect to your grounded permanent wiring system.
- Improper connection of the equipment-grounding conductor can result in a risk of electric shock. Check with a qualified electrician or service representative if you are in doubt whether the appliance is properly grounded.
- Do not under any circumstances cut or remove the third ground lead from the power cord supplied.
- Remove house fuse or open circuit breaker before beginning installation. Never use an extension cord or adapter plug with the unit.
- Never use a two-prong grounding adapter.
- Where a two-prong wall receptacle is encountered, contact a qualified electrician to have it replaced with a 3-prong receptacle in accordance with applicable electrical codes.
- This dishwasher requires a standard 110/120Volts A.C. ~/60Hz electrical power, and connected to an individual properly grounded branch circuit, protected by a 15 or 20 ampere circuit breaker or time delay fuse.
- The cord should be secured behind the dishwasher and not left exposed or dangling to prevent accidental injury.

- Connect to a grounded metal, permanent wiring system, or run an equipment-grounding conductor with the circuit conductors and connect to the equipment-grounding terminal or lead of the appliance.
 - Do not attempt to repair or replace any part of your dishwasher unless it is specifically recommended in this manual. All other servicing should be referred to a qualified technician.
 - To minimize the possibility of electric shock, disconnect this appliance from the power supply before attempting any maintenance.
- NOTE:** Turning the dishwasher off does not disconnect the appliance from the power supply. We recommend having a qualified technician service your appliance.

Cabinet Preparation & Wiring Routing

- The wiring may enter the opening from either side, rear or the floor within the shaded area.
 - Cut a 1½" max diameter hole to admit the electrical cable. Cable direct connections may pass through the same hole as the drain hose and hot water line, if convenient. If cabinet wall is metal, the hole edge must be covered with a bushing.
- NOTE:** power cords with plug must pass through a separate hole.



Electrical Connection To Dishwasher.

Electrical connection is on the right front of dishwasher.

- For cable direct connections the cable must be routed as shown in figure. Cable must extend a minimum of 24" from the rear wall.
- For power cord connections, install a 3-prong grounding type receptacle in the sink cabinet rear wall, 6" min. or 18" max. from the opening, 6" to 8" above the floor.

➤ **Before You Begin**

Locate and set aside the 2 Phillips head countertop mounting screws wrapped with yellow tape and stuck to the top or side of the dishwasher.

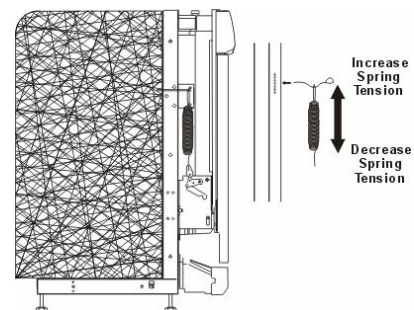
➤ **Check Door Balance And Remove Toekick**

With dishwasher on wood skid, check the door balance by opening and closing the door.

If door drips open when released, increase spring tension.

If door closes when released, decrease tension.

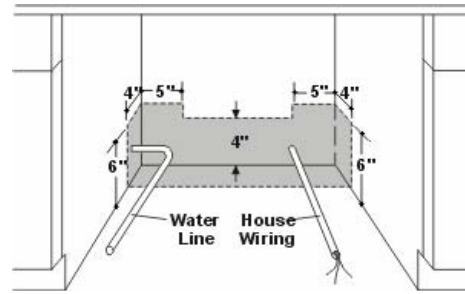
NOTE: Increase or decrease tension as shown. Adjust both springs to the same tension setting to correct balance.



Then remove the toekick.

➤ **Position Water Line And House Wiring**

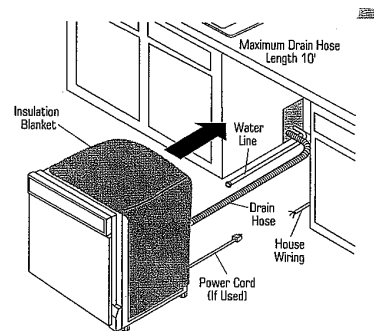
Position water supply line and house wiring on the floor of the opening to avoid interference with base of dishwasher and components under dishwasher.



➤ **Insert Drain Hose Through Cabinet**

Upright the dishwasher and position in front of the opening. Insert drain hose into cabinet wall hole. If a power cord is used, guide the end through a separate hole.

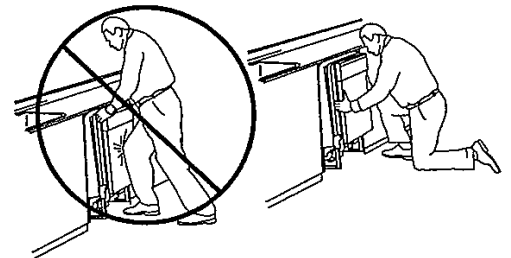
TIP: Position water line and house wiring on the floor to avoid interference with base of dishwasher.



➤ **Slide Dishwasher Partially Into Cabinet**

Do not push against front panel with knees. Damage will occur.

- Slide dishwasher into the opening a few inches at a time.
- As you proceed, pull the drain hose through the opening under the sink. Stop pushing when the dishwasher is a few inches forward of adjacent cabinetry.
- Make sure drain hose is not kinked under the dishwasher and there is no interference with the water line and wiring or other component.



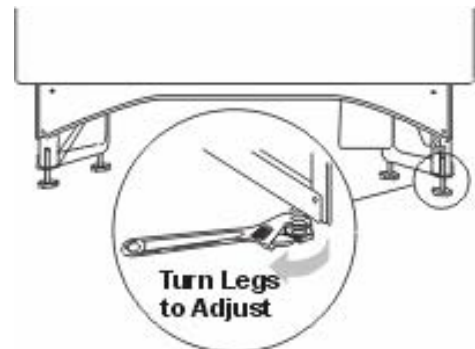
➤ **Level Dishwasher**

IMPORTANT: Dishwasher must be level for proper dish rack operation and wash performance.

- Place level on door and rack track inside the tub as shown to check that the dishwasher is level.
- Level the dishwasher by adjusting the four leveling legs individually.
- If adjustment to the right rear leveling leg is required, loosen junction box bracket screw (through the access hole) and rotate bracket clockwise.

TIP: Pull lower rack out, about halfway. Check to make sure the rack does not roll forward or back into dishwasher. If the rack rolls either direction, the dishwasher must be leveled again.

- If door hits tub, the dishwasher is not installed correctly. Adjust leveling legs to align door to tub.



WARNING

The plumbing installation shown below must be performed by a qualified and licensed plumber, following all of the electrical codes and ordinances required by the State.

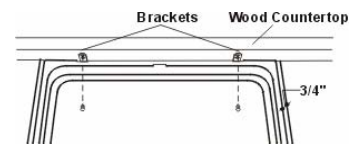
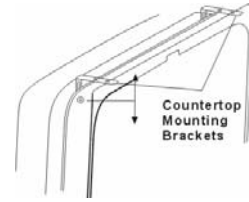
➤ Push Dishwasher Into Final Position

The dishwasher must be secured to the countertop or the cabinet sides.

- Check to be sure that wires are secured under the dishwasher and not pinched or in contact with door springs or other dishwasher components.

TIP: Check tub insulation blanket. It should be positioned so it is not bunched up or interfering with door springs. Check by opening and closing door.

- Push dishwasher into the cabinet. The front corners of dishwasher door should be flush with cabinet doors. Be careful not to dent front panel with knees or damage countertop or cabinets with dishwasher parts.
- Fasten the dishwasher with the 2 Philips screws provided.

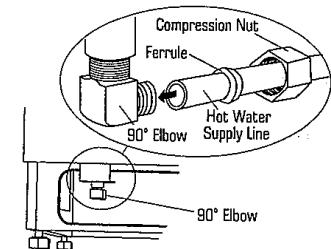


➤ Connect Water Supply

Connect water supply line to 90° elbow.

- Slide compression nut, then ferrule over end of water line.
- Insert water line into 90° elbow.
- Slide ferrule against elbow and secure with compression nut.

IMPORTANT: Check to be sure that door spring does not rub or contact the fill hose or water supply line. Test by opening and closing the door. Re-route the lines if necessary.

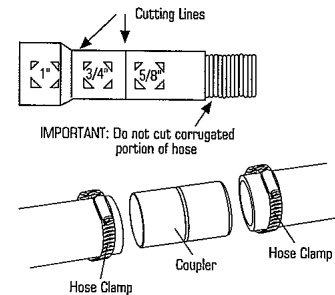


➤ Drain Line Installation

Follow All Local Codes And Ordinances

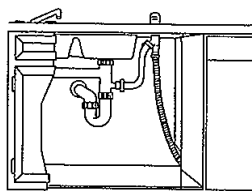
The drain hose molded end will fit 5/8", 3/4" or 1" diameter connections on the air gap, waste tee or disposer. Cut on the marked line as required for your installation.

- If a longer drain hose is required, add up to 42" of length for a total of 10ft. length to the factory installed hose. Use 5/8" or 7/8" inside diameter hose and a coupler to connect the two hose ends. Secure the connection with hose clamps.
- Secure the drain hose to the air gap, waste tee or disposer with clamps.

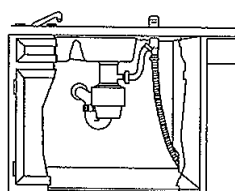


NOTE: Total drain hose length must not exceed 10 feet for proper drain operation.

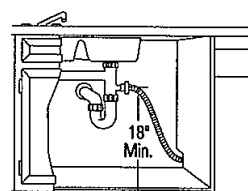
- Connect drain line into air gap, waste tee or disposer using either previously determined method.



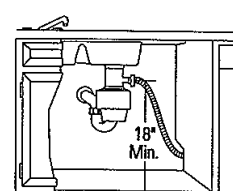
Waste tee installation



Disposer Installation

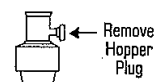


Waste tee installation



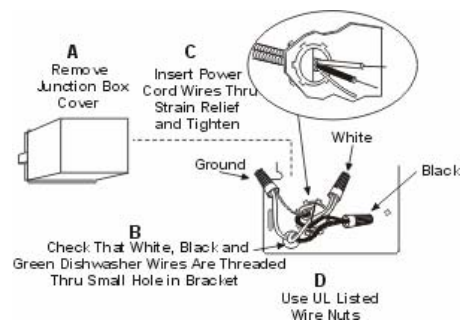
Disposer Installation

IMPORTANT: When connecting drain line to disposer, check to be sure that drain plug has been removed. DISHWASHER WILL NOT DRAIN IF PLUG IS LEFT IN PLACE.



➤ **Connect Power Supply**

- Remove junction box cover.
- Secure house wiring to the back of the junction box with a strain relief.
- Locate the three dishwasher wires, (white, black and green) with stripped ends. Insert dishwasher wires through the small hole in the junction box. Use wire nuts to connect incoming ground to green, white to white and black to black.
- Replace junction box cover. Check to be sure that wires are not pinched under the cover.



WARNING: If house wiring is not 2-wire with ground, a ground must be provided by the installer. When house wiring is aluminum, be sure to use UL listed anti-oxidant compound and aluminum-to-copper connectors.

➤ **Pre-Test Check List**

Review this list after installing your dishwasher to avoid charges for a service call that is not covered by your warranty.

- Check to be sure power is OFF.
- Open door and remove all foam and paper packaging.
- Read Operating Instructions.
- Check door opening and closing. If door does not open and close freely or tends to fall, check spring cable routing.
- Check to be sure that wiring is secured under the dishwasher, not pinched or in contact with door springs or other components.
- Check door alignment with tub. If door hits tub, level dishwasher.
- Pull lower rack out, about half way. Check to be sure it does not roll back or forward on the door. If the rack moves, adjust leveling legs.
- Check door alignment with cabinet. If door hits cabinet, reposition dishwasher.
- Check that door spring does not contact water line, fill hose, wiring or other components.
- Verify water supply and drain lines are not kinked or in contact with other components. Contact with motor or dishwasher frame could cause noise.
- Turn on the sink hot water faucet and verify water temperature. Incoming water temperature must be between 120°F and 150°F. 120°F minimum temperature is required for best wash performance.
- Add 2 quarts of water to the bottom of the dishwasher to lubricate the pump seal.
- Turn on water supply. Check for leaks. Tighten connections if needed.
- Remove protective film (if present) from the control panel and door.

➤ **Dishwasher Wet Test**

- Turn on power supply.
- Turn the dial to the NORMAL wash position.
- Latch door
- Check to be sure that water enters the dishwasher. If water does not enter the dishwasher, check to be sure that water and power is ON.
- Check for leaks under the dishwasher. If leak is found, turn power supply off, then tighten connections. Restore power after leak is corrected.
- Check for leaks around the door. A leak around the door could be caused by door rubbing or hitting against adjacent cabinetry. Reposition the dishwasher if necessary.
- The dishwasher will drain about 5 minutes after the first fill. Check drain lines. If leaks are found,

- turn power off, correct as necessary.
- Open dishwasher door and make sure most of the water has drained. If not, check that disposer plug has been removed and/or air gap is not plugged.
 - Let dishwasher run through another fill and drain cycle. Check again for leaks and correct as required.
 - At the end of the second drain, and unlatch the door.

➤ **Replace The Toekick**

Replace the toekick and make sure it is against the floor.

NOTE: Be sure to leave complete literature package and installation instruction with the consumer.

**INSTRUCCIONES EN ESPAÑOL
IMPORTANTE
LEA Y SIGA ESTAS INSTRUCCIONES CUIDADOSAMENTE**

ANTES DE LA INSTALACION

- ❖ DEBE CHEQUEAR LA UNIDAD FISICAMENTE, Y SI ESTA DAÑADA COMUNIQUESE CON SU PROVEEDOR.
- ❖ INSTALADORES. DEBEN SEGUIR TODOS LOS CODIGOS Y ORDENAZAS GUBERNAMENTALES.
- ❖ MANTENGA ESTAS INSTRUCCIONES DISPONIBLES PARA EL USO DEL CONSUMIDOR E INSPECTORES.
- ❖ ESTA INSTALACION DEBE HACERSE USANDO UN PERSONAL CALIFICADO, CUALQUIER DAÑO PROVOCADO DURANTE ESTE PROCESO NO SERA CUBIERTO POR LA GARANTIA DE ESTE PRODUCTO.
- ❖ PARA IMPORTANTES INSTRUCCIONES VEA PAGINA 14.
- ❖ GUARDE ESTAS INSTRUCCIONES CON EL MANUAL DE USUARIOS.

MATERIALES NECESARIOS	4
HERRAMIENTAS NECESARIAS	4
PREPARACION DE LA CAVIDAD PARA LA INSTALLACION DEL LAVAPLATOS	5
CONEXIONES DE DRENAJE	5
PREPARACION DEL GABINETE Y CONEXIONES DE AGUA	5-6
LOCALIZACION DE LAS LINEAS DE AGUA Y ELECTRICIDAD	6
COMO COLOCAR EL LAVAPLATOS EN EL GABINETE Y DETALLES DE LA INSTALACION DEL DRENAJE	7
INFORMACIONES IMPORTANTES DE SEGURIDAD	14
CONEXIONES ELECTRICAS Y PRECAUCIONES	14
CUIDADOS CON EL CALENTADOR	15

INSTRUCCIONES DE INSTALACION

MATERIALES QUE PUDIERAS NECESITAR

- ❖ ESPACIO DE AIRE PARA LA MANGUERA DE DESAGUE.
- ❖ CONECTOR (T) PARA LA PLOMERIA DE LA CASA.
- ❖ CABLE O CORDON ELECTRICO.
- ❖ GRAMPAS DE PRESILLAS DE TORNILLOS.
- ❖ GRAMPA PARA ASEGURAR EL CORDON ELECTRICO.
- ❖ VALVULA MANUAL DE CERRAR ES SIEMPRE RECOMENDABLE.
- ❖ LINEA DE AGUA DE COBRE DE 3/8" O DE 1/2" . SI SE USAN LINEAS PLASTICAS DEBEN SER CHEQUEADAS POR PRESION Y TEMPERATURA.
- ❖ ACOPLADOR O ADAPTADOR PARA EXTENDER LA LINEA DE DRENAJE.

HERRAMIENTAS NECESARIAS

- ❖ DESTORNILLADOR DE ESTRELLA +.
- ❖ DESTORNILLADOR EXAGONAL DE 1/4" Y 5/16".
- ❖ HERRAMIENTA AJUSTABLE DE 6".
- ❖ NIVELADOR.
- ❖ ANGULO DE 90° DE CARPINTERO.
- ❖ CINTA DE MEDIR.
- ❖ GAFAS O ESPEJUELOS DE PROTECCION.
- ❖ LINTERNA.
- ❖ RECIPIENTE PARA ECHAR EL AGUA AL MOMENTO DE EVACUAR LAS LINEAS.
- ❖ GUANTES.

EN NUEVAS INSTALACIONES SOLAMENTE

CORTADOR DE TUBOS.
TALADRO Y BARRENAS ADECUADAS.
ABRIDOR DE HUECOS/TALADRO.

PARA PREPARAR LA CAVIDAD DE MONTAJE DEL EQUIPO

LA MEDIDA DE LA CAVIDAD DEBE TENER NO MENOS DE 25" DE PROFUNDIDAD X 18" DE ANCHO X APROXIMADAMENTE 34 1/2" DE ALTO DESDE EL SUELO.
EL LAVAPLATOS TIENE QUE INSTALARSE CON UNA MANGUERA DE DRENAJE DE NO MENOS DE 10 PIES DE LARGO PARA OBTENER UN DRENAJE APROPIADO.
ESTA UNIDAD DEBE SER INSTALADA DENTRO DEL GABINETE EXISTENTE DEJANDO UN MINIMO ESPACIO ARRIBA, EN AMBOS LADOS, EN LA PARTE SUPERIOR Y TRASERA. NUNCA DEBE DE SERVIR DE SOPORTE DE CAJAS, O NINGUN OBJETO.

PREPARACION DE APERTURA PARA LA INSTALACION DEL LAVAPLATOS

REFIERASE A LAS FIGURAS EN LA PAGINA 5 PARA ESPECIFICACIONES Y SIGA LOS CODIGOS Y ORDENANZAS LOCALES.

DISTANCIA ENTRE EL LAVAPLATO Y EL GABINETE

REFIERASE A LA FIG EN LA PAGINA 5.

CONEXIONES DE DRENAJE

REFIERASE A LA FIG EN LA PAGINA 5.

PREPARACION DE EL GABINETE Y CONEXIONES DE AGUA

REFIERASE A LA PAGINA 6.

LOCALIZACION DE LAS LINEAS DE AGUA Y ELECTRICIDAD

REFIERASE A LA PAGINA 6.

COMO COLOCAR EL LAVAPLATOS EN EL GABINETE Y DETALLES DE LA INSTALACION DE EL DRENAJE

REFIERASE A LA PAGINA 8, 9.

INFORMACIONES IMPORTANTES DE SEGURIDAD

- ❖ ASEGURESE QUE LA LINEA DE CORRIENTE ESTE DESACTIVADA Y EL LAVAPLATOS ESTE EN LA POSICION OFF.
- ❖ ABRA LA PUERTA Y EXTRAIGA EL MATERIAL DE EMBALAJE.
- ❖ LEA CUIDADOSAMENTE LAS INSTRUCCIONES DE OPERACION.
- ❖ CHEQUEAR LA APERTURA Y CIERRE DE LA PUERTA.
- ❖ SI LA PUERTA NO CIERRA Y ABRE LIBREMENTE, CHEQUEE EL RESORTE DE LA PUERTA Y ALINEAMIENTO.
- ❖ CHEQUEAR QUE LA CABLERIA DEBAJO DEL LAVAPLATOS ESTE CORRECTA Y NO EN CONTACTO CON NINGUN COMPONENTE.
- ❖ VERIFIQUE QUE LAS LINEAS DE AGUA Y CORRIENTE NO TOQUEN NINGUN OTRO COMPONENTE.
- ❖ AÑADIR MEDIO GALON DE AGUA EN SU INTERIOR PARA LUBRICAR LOS SELLOS DE LA BOMBA.
- ❖ CHEQUEAR CONEXIONES PARA VER SI HAY GOTEOS.
- ❖ REMOVER EL PLASTICO QUE PROTEGE EL PANEL DE CONTROL.

CONEXIONES ELECTRICAS

PRECAUCION

EL USO INAPROPIADO DE LA CONEXION A TIERRA PUEDE OCACIONAR UN CORTO CIRCUITO. SI EL CABLE DE CORRIENTE ESTA DAÑADO DEBE SER REEMPLAZADO POR UN PERSONAL CALIFICADO.

- ❖ ASEGURESE QUE LA INSTALACION ESTE CONECTADA A TIERRA.
- ❖ NO USE CABLES DE EXTENSION NI ADAPTADORES.
- ❖ CONECTE LA UNIDAD A UN SISTEMA DE TIERRA PERMANENTE.
- ❖ NO LE CORTE LA TERCERA CONEXION DE TIERRA DEL CORDON DE LA UNIDAD.
- ❖ NO INTENTE REPARAR O REEMPLAZAR NINGUN COMPONENTE DE ESTA UNIDAD.
- ❖ SI NECESITA REPARACIONES, COMUNIQUESE CON EL CENTRO DE SERVICIOS.

CUIDADOS CON EL CALENTADOR DE AGUA

BAJO CIERTAS CONDICIONES EL GAS HIDROGENO SE PUEDE PRODUCIR EN EL CALENTADOR DE AGUA, SI ESTE NO HA SIDO USADO POR 2 SEMANAS O MAS ESTE GAS ES EXPLOSIVO, POR LO QUE DEBE ABRIR LA LLAVE DE AGUA CALIENTE/FRIA DURANTE ALGUNOS MINUTOS, EN VIRTUD DE EVITAR DAÑOS Y LESIONES POR ESTA CAUSA. ESTE PROCEDIMIENTO SE DEBE HACER ANTES DE CONECTAR EL LAVAPLATOS, NO DEBE FUMAR NI HACER FUEGO O CHISPAS DURANTE ESTE PROCESO.

PRINTED IN CHINA