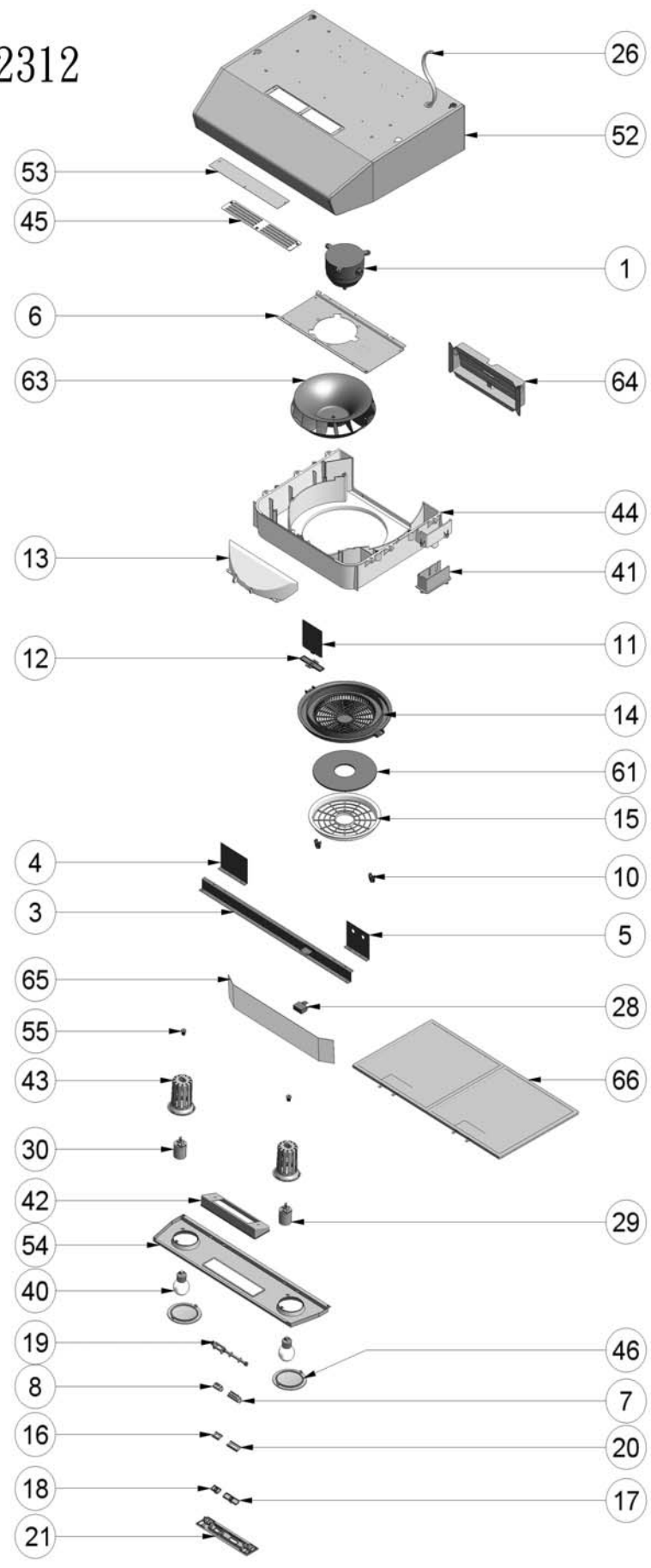


H2311/H2312



**H2311W****Spare Parts List**

| Ref# | Avanti Part # | Description | per Hood |
|------|-----------------|-----------------------------------|----------|
| 1 | APM033 | Motor | 1 |
| 3 | APHXP001211-13 | Support Panel | 1 |
| 4 | AP HXP001211-16 | Left side panel | 1 |
| 5 | AP HXP001211-19 | Right side panel | 1 |
| 6 | APHXP001211-27 | Motor Holder | 1 |
| 7 | APXP00613 | Slide switch, motor | 1 |
| 8 | APXP00613-1 | Slide switch, light | 1 |
| 10 | APXP018111 | Residue Secure Switch | 1 |
| 11 | APXP018133 | Air diverter panel | 1 |
| 12 | APXP018133-1 | Air diverter panel cover | 1 |
| 13 | APXP018133-2 | Blower wheel cover | 1 |
| 14 | APXP018133-3 | Residue Pan | 1 |
| 15 | APXP018133-4 | Carbon Filter Grille | 1 |
| 16 | APXP01868 | Slide Switch Gasket-W (Light) | 1 |
| 17 | APXP01868-03 | Slide Switch Stem - W (Fan) | 1 |
| 18 | APXP01868-06 | Slide Switch Stem - W (Light) | 1 |
| 19 | APXP01868-09 | Switch Spacer | 1 |
| 20 | APXP01868-14 | Slide Switch Gasket-B (Fan) | 1 |
| 21 | APXP021174-2 | Decal | 1 |
| 26 | APXP02746-3 | Electrical wires | 1 |
| 28 | APXP02802-4 | Capacitor 4.5uf/300v | 1 |
| 29 | APXP02901-1 | Light socket, right | 1 |
| 30 | AP XP02901-2 | Light socket, left | 1 |
| 40 | APXP13804-1 | Light Bulb, R45,120V 40W | 2 |
| 41 | APXP14438-1 | Junction Box Cover | 1 |
| 42 | APXP14438-2 | Control Cover | 1 |
| 43 | APXP14438-3 | Light Housing | 2 |
| 44 | APXP14438-4 | Blower wheel | 1 |
| 45 | APXP14438-7 | Air Recirculation cover plate (W) | 1 |
| 46 | APXP14444 | Light cover | 2 |
| 52 | APXP164190-05A | Hood Body | 1 |
| 53 | APXP164190-29 | Top Cover Plate | 1 |
| 54 | APXP164190-33 | Light Panel (W) | 1 |
| *61 | APXP22302 | Carbon Filter | 1 |
| 63 | APXP26501 | Fan Blade | 1 |
| 64 | APXP26601 | Rectangular Starting Collar | 1 |
| 65 | APXP26603 | Fan Blade cover panel | 1 |
| 66 | APXP26701-1 | Metal Filter | 2 |

***Accessory, replacement carbon filter**

**H2312SS****Spare Parts List**

| Ref# | Avanti Part # | Description | per Hood |
|------|---------------|-----------------------------------|----------|
| 1 | APM033 | Motor | 1 |
| 3 | APXP001211-13 | Support Panel | 1 |
| 4 | APXP001211-16 | Left side panel | 1 |
| 5 | APXP001211-19 | Right side panel | 1 |
| 6 | APXP001211-27 | Motor Holder | 1 |
| 7 | APXP00613 | Slide switch, motor | 1 |
| 8 | APXP00613-1 | Slide switch, light | 1 |
| 10 | APXP018111 | Residue Secure Switch | 2 |
| 11 | APXP018133 | Air diverter panel | 1 |
| 12 | APXP018133-1 | Air diverter panel cover | 1 |
| 13 | APXP018133-2 | Blower wheel cover | 1 |
| 14 | APXP018133-3 | Residue Pan | 1 |
| 15 | APXP018133-4 | Carbon Filter Grille | 1 |
| 16 | APXP01868-01 | Slide Switch Gasket-B (Light) | 1 |
| 17 | APXP01868-04 | Slide Switch Stem - B (Fan) | 1 |
| 18 | APXP01868-07 | Slide Switch Stem - B (Light) | 1 |
| 19 | APXP01868-10 | Switch Spacer | 1 |
| 20 | APXP01868-12 | Slide Switch Gasket-B (Fan) | 1 |
| 21 | APXP021174 | Decal | 1 |
| 26 | APXP02746-3 | Electrical wires | 1 |
| 28 | APXP02802-4 | Capacitor 4.5uf/300v | 1 |
| 29 | APXP02901-1 | Light socket, right | 1 |
| 30 | APXP02901-2 | Light socket, left | 1 |
| 40 | APXP13804-1 | Light Bulb, R45,120V 40W | 2 |
| 41 | APXP14438-1 | Junction Box Cover | 1 |
| 42 | APXP14438-2 | Control Cover | 1 |
| 43 | APXP14438-5 | Light Housing | 2 |
| 44 | APXP14438-4 | Blower wheel | 1 |
| 45 | APXP14438-6 | Air Recirculation cover plate (B) | 1 |
| 46 | APXP14444 | Light cover | 2 |
| 52 | APXP001211-02 | Hood Body | 1 |
| 53 | APXP001211-28 | Top Cover Plate | 1 |
| 54 | APXP001211-32 | Light Panel (S) | 1 |
| *61 | APXP22302 | Carbon Filter | 1 |
| 63 | APXP26501 | Fan Blade | 1 |
| 64 | APXP26601 | Rectangular Starting Collar | 1 |
| 65 | APXP26603 | Fan Blade cover panel | 1 |
| 66 | APXP26701-1 | Metal Filter | 2 |

***Accessory, replacement carbon filter**