



# OUTDOOR—REFRIGERATION

## Portable (Freestanding)/Undercounter 24"W. Beverage Dispenser



### Standard Features & Accessories

#### Both models include

- Available built-in or as portable model
- Spacious interior is capable of holding up to 1/2 barrel—15.5 gal. (58.7 lit.)
- Includes easy-to-clean-and-use stainless steel dispensing tower
- Tower tap handle is threaded so custom handles can be installed
- VRBD portable model is easily moved by four heavy-duty casters; two are capable of being locked
- Packaged with unit – filled 5 lb. (2.3 kg) CO2 cylinder, keg coupler, air line with clamps, and single-gauge regulator
- Agency-certified for outdoor use
  - Stainless steel exterior cabinet surrounds unit and forms a water-resistant seal
  - Insulated electrical terminals, sealed electrical contacts, and a water-resistant thermostat provide optimal performance in all weather elements
- Normal operating range for unit be shut off in temperatures above 110° F (4.4° C)
- Factory-set for the ideal beverage storage temperature – 38° F (3.3° C)
- Temperature-adjustable from 35° – 54° F (2° – 12° C)

### Model Options



**VRBD140T**  
24"W. Portable Beverage  
Dispenser



**VUBD140T**  
24"W. Undercounter Beverage  
Dispenser

#### FINISH DETAILS FOR ALL MODELS

- Stainless Steel (SS)
- Brass Trim Option (BR)—nameplate and handle/brackets. Brass components have a durable protective coating for maintenance-free normal use.

#### ORDERING INSTRUCTIONS

First specify model number, followed by hinge preference ("R" for right or "L" for left)—(VRBD140TRSS). If ordering optional brass trim, specify code at end (VRBD140TRSSBR).





# OUTDOOR—REFRIGERATION

## Portable (Freestanding)/Undercounter 24"W. Beverage Dispenser



★ Please see  
Installation Notes &  
Accessories  
for important  
information,  
including lock and  
cleaning supplies.

### Dimensions & Specifications

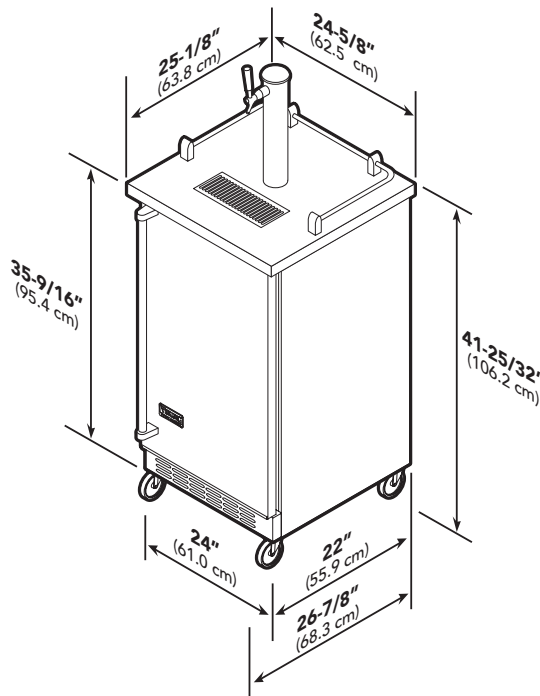
#### PRODUCT DIMENSIONS



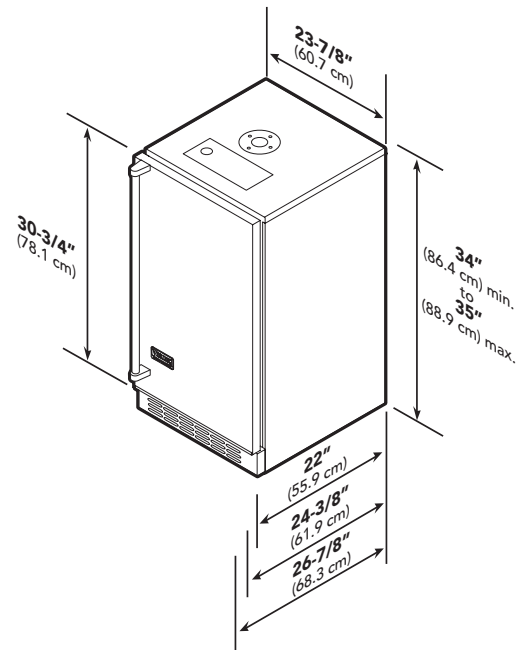
VRBD140T



VUBD140T



VRBD140T



VUBD140T

	VRBD140T	VUBD140T
Overall width (cabinet)	24" (61.0 cm)	23-7/8" (60.7 cm)
Across top lip	24-5/8" (62.5 cm)	N/A
Overall height		
From bottom of wheels to		
Top of rail	41-25/32" (106.2 cm)	N/A
Top of tower	53-11/16" (136.4 cm)	N/A
Leveling legs fully extended	N/A	35" (88.9 cm) max.
Overall depth (from rear)		
To front of handle	<b>26-7/8" (68.3 cm)</b>	
With door fully open	<b>47-1/4" (120.0 cm)</b>	
Approx. ship weight	177 lbs. (80.3 kg)	140 lbs. (63.5 kg)





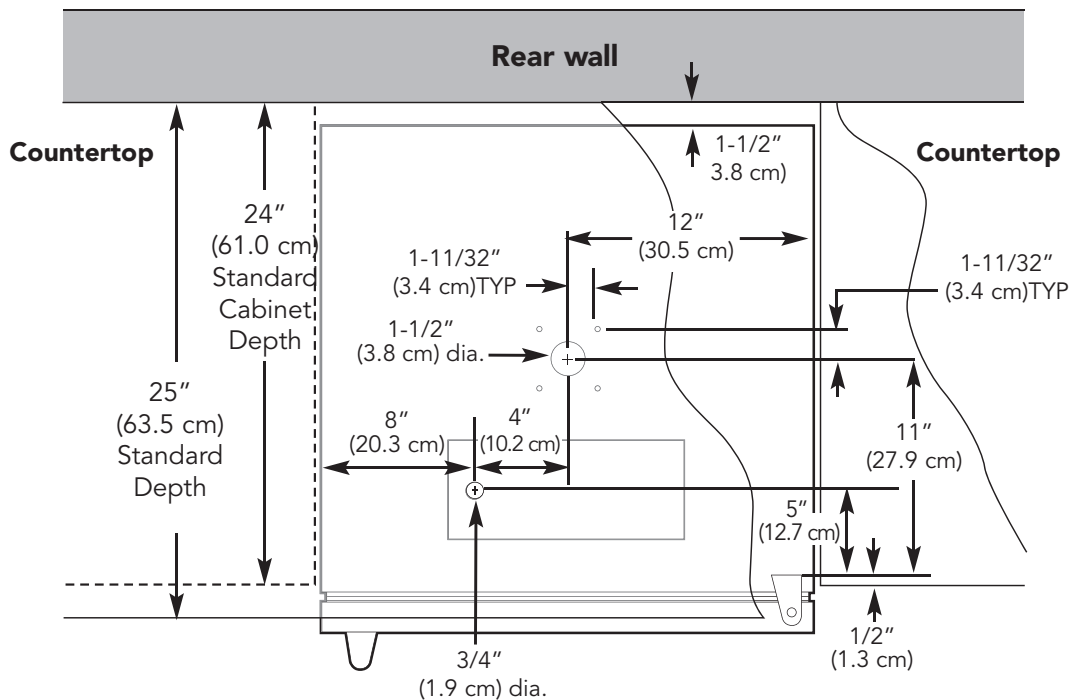
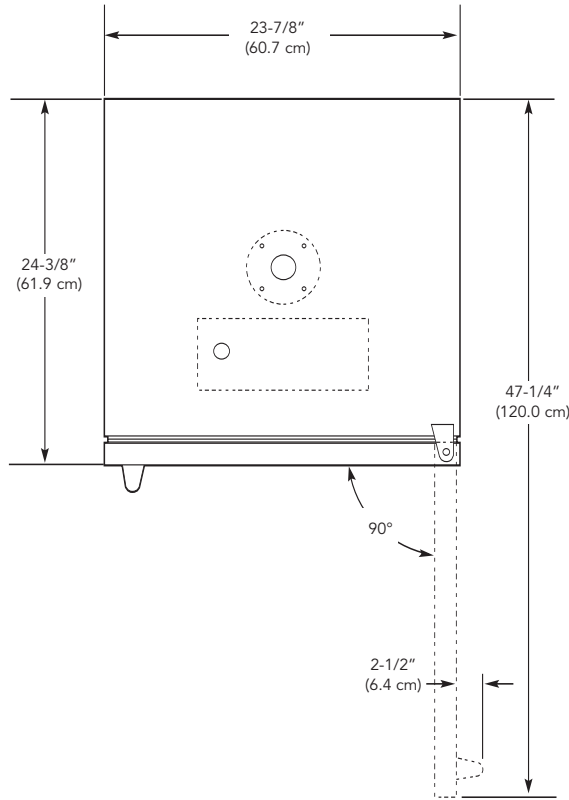
# OUTDOOR—REFRIGERATION

## Portable (Freestanding)/Undercounter 24"W. Beverage Dispenser



### Dimensions & Specifications

#### DOOR SWING & CLEARANCE



**Note:** If removing the casters is necessary for installation, the unit should be raised off the ground using an approved material (consult local building codes).





# OUTDOOR—REFRIGERATION

## Portable (Freestanding)/Undercounter 24"W. Beverage Dispenser



### UTILITY REQUIREMENTS



**GAS**  
Not applicable



**ELECTRICAL**

- 8', 2-wire cord with grounded, 3-prong plug attached to product
- 115 VAC/60 Hz; 15-amp dedicated circuit
- Max. amp usage—3.3



**PLUMBING**  
• Not applicable

## Installation Requirements

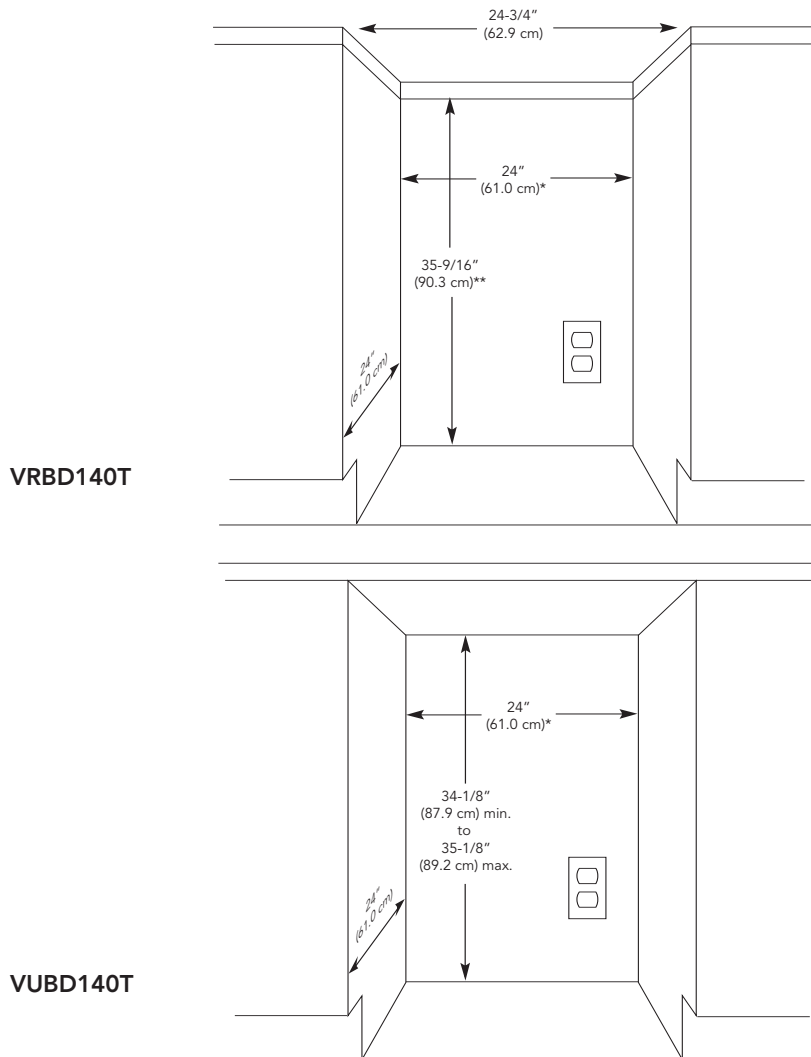
### ACCESS REQUIREMENTS



VRBD140T



VUBD140T



\*24" (61.0 cm) width for cabinet only; if door is recessed between cabinets, cutout must be 24-1/4" (61.6 cm) (for cabinet and door width clearance).

\*\*35-9/16" (90.3 cm) is without casters mounted to unit; 39-3/4" (101.0 cm) is needed for height clearance with casters.

	VRBD140T	VUBD140T
Cutout width (lower)	24" (61.0 cm)*	
Upper	24 3/4" (62.9 cm)	N/A
Cutout height	35-9/16" (90.3 cm)**	34-1/8" (87.9 cm) min. to 35-1/8" (89.2 cm) max.
Cutout depth	24" (61.0 cm) min.	





# OUTDOOR—REFRIGERATION

## Portable (Freestanding)/Undercounter 24"W. Beverage Dispenser



### ★ Installation Notes & Accessories

#### Leg Leveler Kit

- Replaces casters on portable beverage dispenser
- Kit includes four leveling legs to attach casters to unit

Model	Description	Approx. ship wt. lbs. (kg)
PW200038	Leg levelers	0.5 (0.3)

#### Cleaning Kit

- For cleaning faucet and beverage lines
- Kit includes
  - 1 qt. (0.95 lit.) cleaning solution
  - Tap/line cleaner
  - Faucet wrench
  - Faucet brush

Model	Description	Approx. ship wt. lbs. (kg)
BDCK	Beverage dispenser cleaning kit	1 (0.5)

#### Cleaning Solution Refill

- Refills cleaning kit dispenser
- 4 oz. bottle

Model	Description	Approx. ship wt. lbs. (kg)
BD4OZ	Beverage dispenser cleaning solution	.31 (0.1)

#### Faucet Lock

- Keyed entry

Model	Description	Approx. ship wt. lbs. (kg)
BDFLK	Beverage dispenser faucet lock	0.5 (0.3)

#### Compliance Information



#### WARRANTY SUMMARY\*

- One-year full warranty—complete unit (w/in-home repairs)
- Five-year limited warranty—sealed refrigeration system (includes compressor, condenser, dryer/strainer, evaporator, and connecting tubing)
- Ninety-day limited warranty—cosmetic parts such as glass, painted items, and decorative items

\*For complete warranty see *Use & Care Guide*. Warranty valid on Viking products shipped within the United States and Canada.

