

MODEL	WIDTH	BLOWER (purchase separately)
VIPR102	30"	VIDV500 Interior or VEDV900 Exterior
VIPR102R	30" w/ remote control	VIDV500 Interior or VEDV900 Exterior
VIPR162	36"	VIDV500 Interior or VEDV900 Exterior
VIPR162R	36" w/ remote control	VIDV500 Interior or VEDV900 Exterior
VIPR182	48"	VIDV500 Interior, VEDV900 Exterior or VEDV1200 Exterior
VIPR182R	48" w/ remote control	VIDV500 Interior, VEDV900 Exterior or VEDV1200 Exterior



WARNING - RANGETOPS ONLY: To reduce the risk of burns or ignition of clothing by reaching across burners, an "R" model downdraft (with remote control) **MUST** be used with a rangetop. The remote control **MUST** be mounted in the countertop - at least 4" from the burners. See "INSTALL COOKTOP" section on page 8.

READ AND SAVE THESE INSTRUCTIONS



INTENDED FOR DOMESTIC COOKING ONLY



WARNING



TO REDUCE THE RISK OF FIRE, ELECTRIC SHOCK, OR INJURY TO PERSONS, OBSERVE THE FOLLOWING:

- Use this unit only in the manner intended by the manufacturer. If you have questions, contact the manufacturer at the address or telephone number in the warranty.
- Before servicing or cleaning unit, switch power off at service panel and lock the service disconnecting means to prevent power from being switched on accidentally. When the service disconnecting means cannot be locked, securely fasten a prominent warning device, such as a tag, to the service panel.
- Installation work and electrical wiring must be done by a qualified person(s) in accordance with all applicable codes and standards, including fire-rated construction codes and standards.
- Sufficient air is needed for proper combustion and exhausting of gases through the flue (chimney) of fuel burning equipment to prevent backdrafting. Follow the heating equipment manufacturer's guideline and safety standards such as those published by the National Fire Protection Association (NFPA), and the American Society for Heating, Refrigeration and Air Conditioning Engineers (ASHRAE), and the local code authorities.
- When cutting or drilling into wall or ceiling, do not damage electrical wiring and other hidden utilities.
- Ducted fans must always be vented to the outdoors.
- To reduce the risk of fire, use only metal ductwork.
- Do not install this product with the activating switch directly behind a burner or element. Minimum distance between the switch and the edge of the burner should be 4 inches.
- Loose-fitting or hanging clothing should never be worn when operating this appliance. They may be ignited by burners/elements on cooktop.
- Children should not be left alone or unattended in the area where this appliance is in use.
- This unit must be grounded.

TO REDUCE THE RISK OF A RANGE TOP GREASE FIRE:

- Never leave surface units unattended at high settings. Boilovers cause smoking and greasy spillovers that may ignite. Heat oils slowly on low or medium settings.
- Always turn hood ON when cooking at high heat or when cooking flaming foods.
- Clean ventilating fans frequently. Grease should not be allowed to accumulate on fan or filter.
- Use proper pan size. Always use cookware appropriate for the size of the surface element.

WARNING



TO REDUCE THE RISK OF INJURY TO PERSONS IN THE EVENT OF A RANGE TOP GREASE FIRE, OBSERVE THE FOLLOWING^a:

- SMOTHER FLAMES with a close-fitting lid, cookie sheet, or metal tray, then turn off the burner. **BE CAREFUL TO PREVENT BURNS.** If the flames do not go out immediately, **EVACUATE AND CALL THE FIRE DEPARTMENT.**
- NEVER PICK UP A FLAMING PAN** - You may be burned.
- DO NOT USE WATER**, including wet dishcloths or towels - a violent steam explosion will result.
- Use an extinguisher **ONLY** if:
 - You know you have a Class ABC extinguisher, and you already know how to operate it.
 - The fire is small and contained in the area where it started.
 - The fire department is being called.
 - You can fight the fire with your back to an exit.

^a Based on "Kitchen Firesafety Tips" published by NFPA.

CAUTION



- For general ventilating use only. Do not use to exhaust hazardous or explosive materials and vapors.
- To avoid motor bearing damage and noisy and/or unbalanced impellers, keep drywall spray, construction dust, etc. off power unit.
- Clean filters and grease-laden surfaces frequently.
- Do not repair or replace any part of this appliance unless specifically recommended in this manual. All other servicing should be done by a qualified technician.
- Please read specification label on product for further information and requirements.
- DO NOT INSTALL WITH GRILL MODEL RANGETOPS.** This will void the warranty.
- Models VIPR102SS, VIPR162SS, and VIPR182SS (non-remote units):** DO NOT INSTALL WITH RANGETOPS. This will void the warranty.

INSTALLER:

Save this manual for Electrical Inspector and Homeowner to use.

HOMEOWNER:

Use and Care Information on Page 11.

PLANNING

Interior Blower Installation

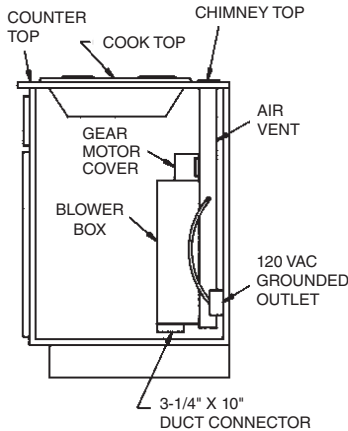
This downdraft blower system is designed to be used to exhaust airborne contaminants when cooking with a variety of gas or electric cooktops. It can be mounted in island, peninsula, or conventional wall locations.

This unit can be easily installed following these basic steps:

- Cut out the countertop opening.
- Mount the unit in the cabinet.
- Install the Model VIDV500 Interior Blower
- Connect the ductwork and electrical.
- Install the cooktop.

Note: the high level of air flow of this appliance may effect the gas flame on some types of gas cooktops. This is NORMAL and will cause no harm, but can be corrected by lowering the speed of the blower.

TYPICAL INSTALLATION



ELECTRICAL SPECIFICATIONS
120 VAC • 60 Hz • 4.0 A

Exterior Blower Installation

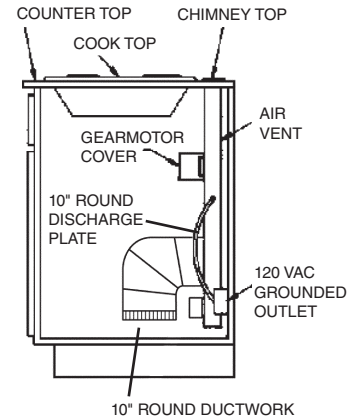
This downdraft blower system is designed to be used to exhaust airborne contaminants when cooking with a variety of gas or electric cooktops. It can be mounted in island, peninsula, or conventional wall locations.

This unit can be easily installed following these basic steps:

- Cut out the countertop opening.
- Mount the unit in the cabinet.
- Install 10" round discharge plate
- Install Model VEDV900 or VEDV1200 (48" Model ONLY) External Blower
- Connect the ductwork and electrical.
- Install the cooktop.

Note: the high level of air flow of this appliance may effect the gas flame on some types of gas cooktops. This is NORMAL and will cause no harm, but can be corrected by lowering the speed of the blower.

TYPICAL INSTALLATION



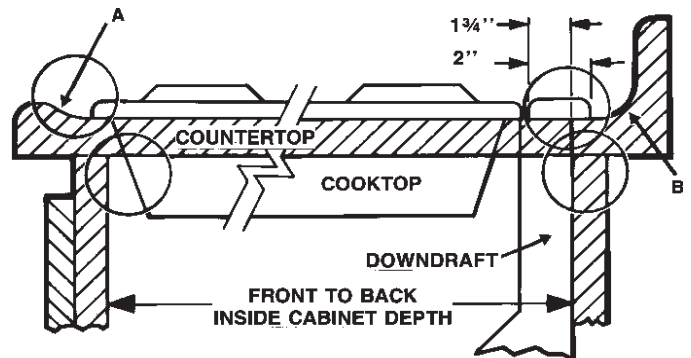
ELECTRICAL SPECIFICATIONS
120 VAC • 60 Hz • 6.0 A (max.)

TAKE MEASUREMENTS

All Units

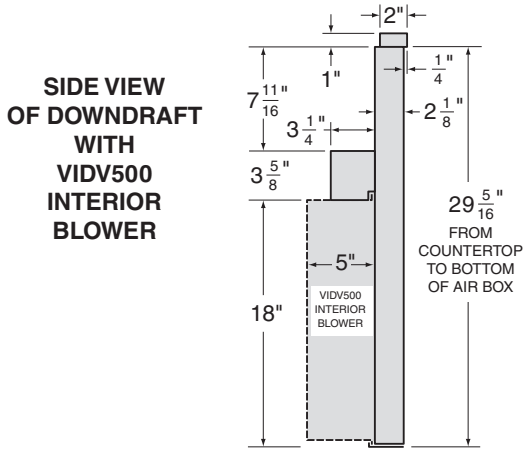
1. Refer to the cooktop installation instructions for dimensions of cooktop, countertop cut-out, and cabinet requirements. The Models VIPR102SS and VIPR102RSS will fit in most 30" wide cabinets the Models VIPR162SS and VIPR162RSS will fit in most 36" wide cabinets and the Models VIPR182SS and VIPR182RSS will fit most 48" wide cabinets. However, it is recommended that oversized cabinets be used for easier installation.
2. Cooktop depth can vary greatly from one to another. This may cause the fit of these two appliances to be rather tight.

Pay special attention to the areas of potential interference highlighted above. A countertop with (A) a raised lip and/or (B) a backsplash may not allow enough flat countertop for a proper installation. Note that 2" of flat countertop is required behind cooktop and that 1-3/4" is necessary between the back edge of the cooktop and the inside of cabinet back.



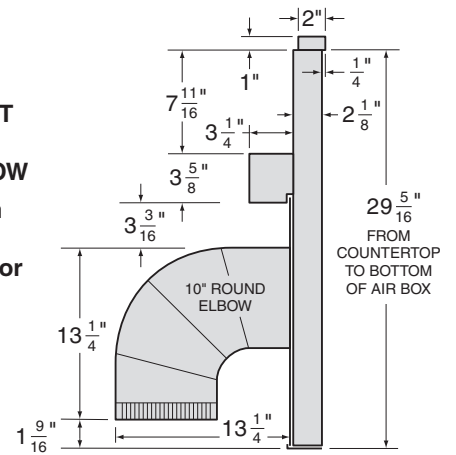
TAKE MEASUREMENTS (CONTINUED)

Interior Blower Installation



Exterior Blower Installation

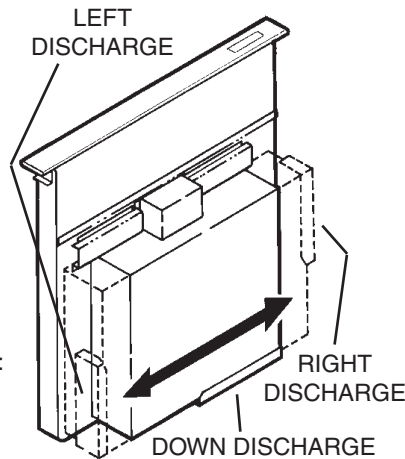
SIDE VIEW OF DOWNDRAFT WITH 10" ROUND ELBOW (for connection to VEDV900 or VEDV1200 Exterior Blower)



PLAN THE DUCTWORK

Interior Blower Installation

1. The interior down-draft blower system is designed for use with 3-1/4" x 10" ductwork (can be transitioned to 6" round). Three different discharge directions are available with side-to-side adjustment for accurate alignment of ductwork.
2. For best performance: Choose the ducting option which allows the shortest length of ductwork and a minimum number of elbows and transitions. Check location of floor joists, wall studs, electrical wiring or plumbing for possible interference.



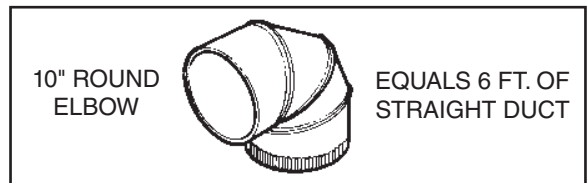
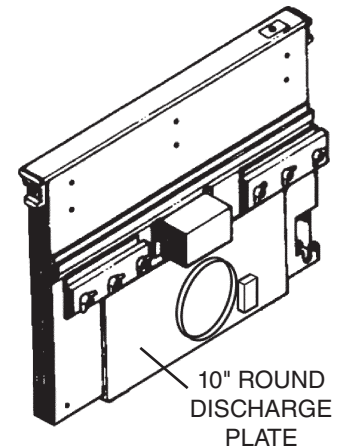
<p>6" ROUND ELBOW</p> <p>EQUALS 6 FT. OF STRAIGHT DUCT</p>	<p>3-1/4" X 10" TO 6" RD. TRANSITION</p> <p>EQUALS 2 FT. OF STRAIGHT DUCT</p>	<p>3-1/4" X 10" 90° ELBOW</p> <p>EQUALS 8 FT. OF STRAIGHT DUCT</p>
--	---	--

3. The system will operate most efficiently when the ductwork does not exceed 40 feet of equivalent duct. The chart, above, shows equivalent feet of elbows and transitions. The number of feet of straight duct plus the equivalent feet of transitions and/or elbows to be used should equal 40 feet or less.

NOTE: The equivalent feet of various roof and wall caps has been taken into consideration. Do not include them in this calculation.

Exterior Blower Installation

1. The exterior downdraft blower system is designed for use with 10" round ductwork.
2. For best performance: Plan ducting which has the shortest length of ductwork and a minimum number of elbows. Check location of floor joists, wall studs, electrical wiring or plumbing for possible interference.



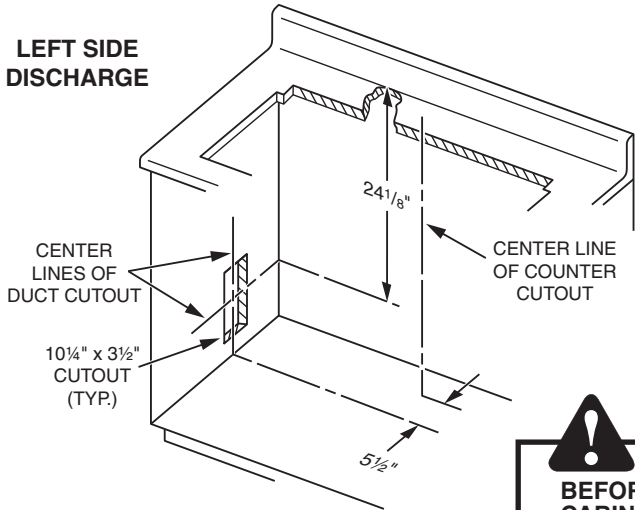
3. The system will operate most efficiently when the ductwork does not exceed 40 feet of equivalent duct. The illustration, above, shows equivalent feet of a 10" round elbow. The number of feet of straight duct plus the equivalent feet of elbows to be used should equal 40 feet or less.

NOTE: The equivalent feet of various roof and wall caps has been taken into consideration. Do not include them in this calculation.

PLAN THE CABINET CUTOUTS

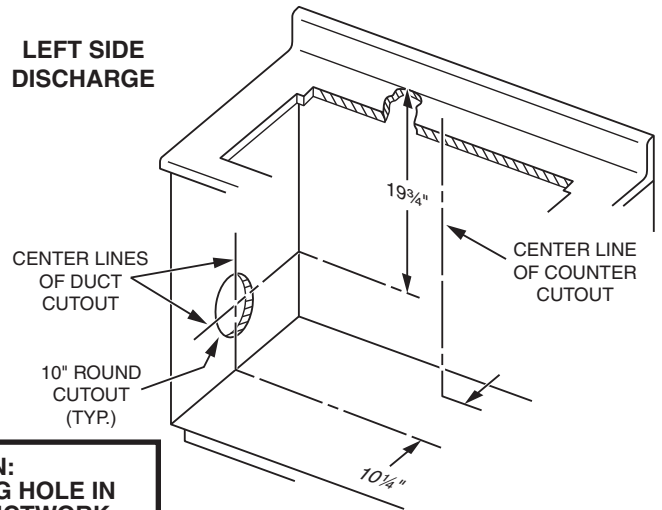
Interior Blower Installation

LEFT SIDE DISCHARGE



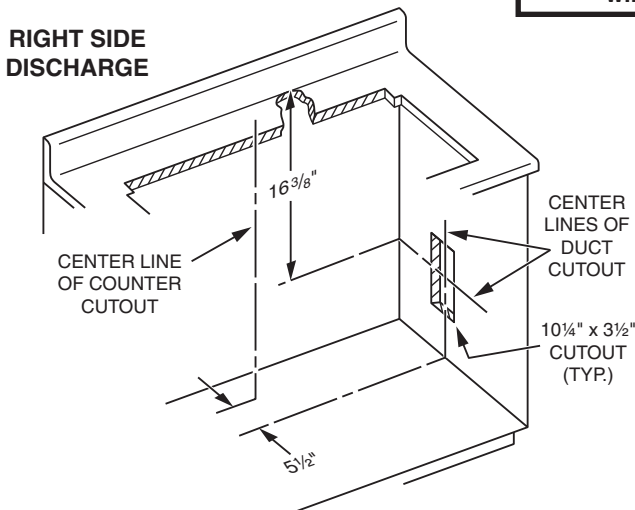
Exterior Blower Installation

LEFT SIDE DISCHARGE

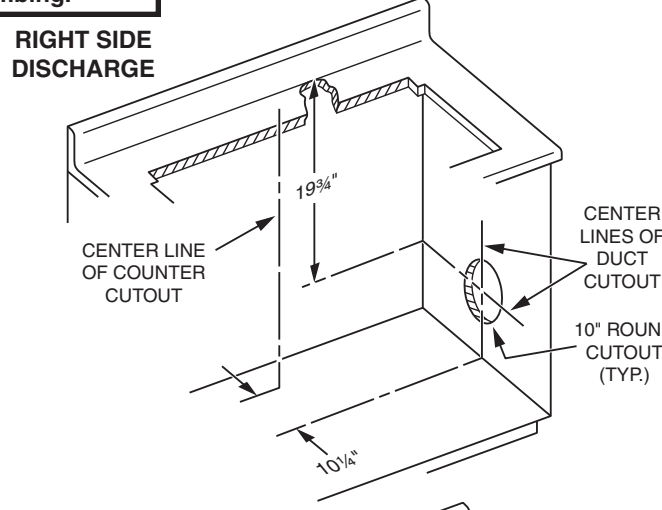


CAUTION:
BEFORE CUTTING HOLE IN CABINET FOR DUCTWORK, check for interference with floor joists, wall studs, electrical wiring, or plumbing.

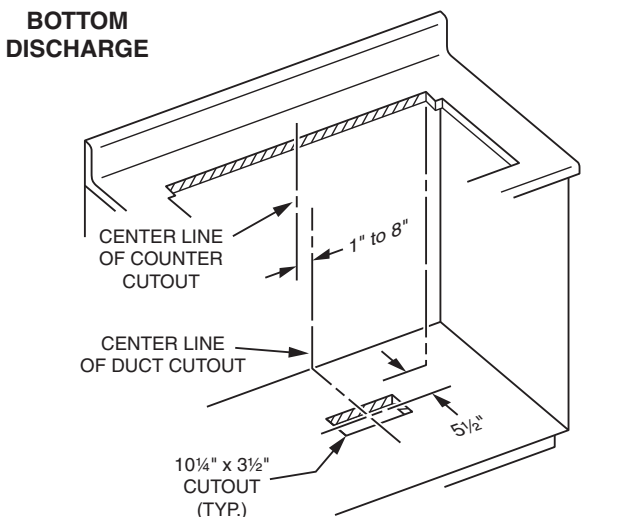
RIGHT SIDE DISCHARGE



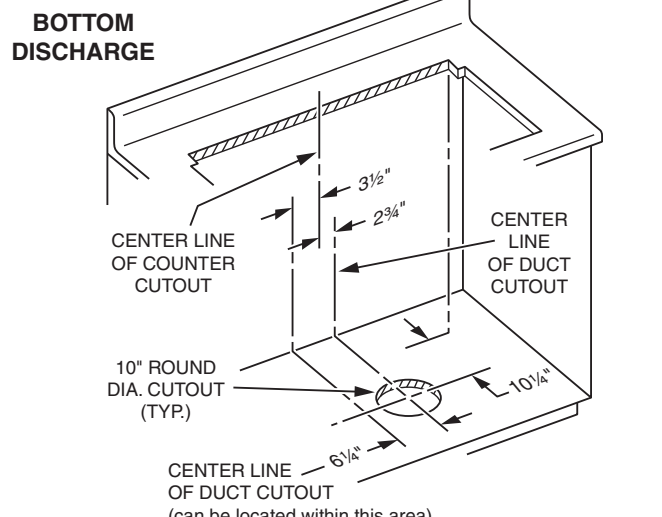
RIGHT SIDE DISCHARGE



BOTTOM DISCHARGE



BOTTOM DISCHARGE



PLAN THE WIRING

Interior Blower Installation

1. The Interior Downdraft Blower system draws 4 AMPS and requires a 120 VAC, 60 Hz circuit.
2. The downdraft has a 2 ft. long power cord with a 3-pronged plug. Plan to provide a grounded outlet in a location which will allow the unit's power cord to reach.

IMPORTANT - LOCATION OF ELECTRICAL OUTLET:

If Models VIPR102SS or VIPR102RSS are being installed in a 30" wide cabinet...

or Models VIPR162SS or VIPR162RSS are being installed in a 36" wide cabinet...

or Models VIPR182SS or VIPR182RSS are being installed in a 48" wide cabinet...

...the outlet cannot be located on the back wall of cabinet.

In these cases, the width of the downdraft covers nearly the entire width of the back wall of the cabinet. So you must either:

- mount the electrical box to a side wall or cabinet floor - at least 12 inches from the back wall.
- mount the electrical box to a wall stud behind the cabinet - where it will not be covered by the downdraft. Then provide a clearance hole in the back wall of the cabinet.

Exterior Blower Installation

1. The Exterior Downdraft Blower system draws 6 AMPS and requires a 120 VAC, 60 Hz circuit.
2. The downdraft has a 2 ft. long power cord with a 3-pronged plug. Plan to provide a grounded outlet in a location which will allow the unit's power cord to reach.

IMPORTANT - LOCATION OF ELECTRICAL OUTLET:

If Models VIPR102SS or VIPR102RSS are being installed in a 30" wide cabinet...

or Models VIPR162SS or VIPR162RSS are being installed in a 36" wide cabinet...

or Models VIPR182SS or VIPR182RSS are being installed in a 48" wide cabinet...

...the outlet cannot be located on the back wall of cabinet.

In these cases, the width of the downdraft covers nearly the entire width of the back wall of the cabinet. So you must either:

- mount the electrical box to a side wall or cabinet floor - at least 12 inches from the back wall.
- mount the electrical box to a wall stud behind the cabinet - where it will not be covered by the downdraft. Then provide a clearance hole in the back wall of the cabinet.

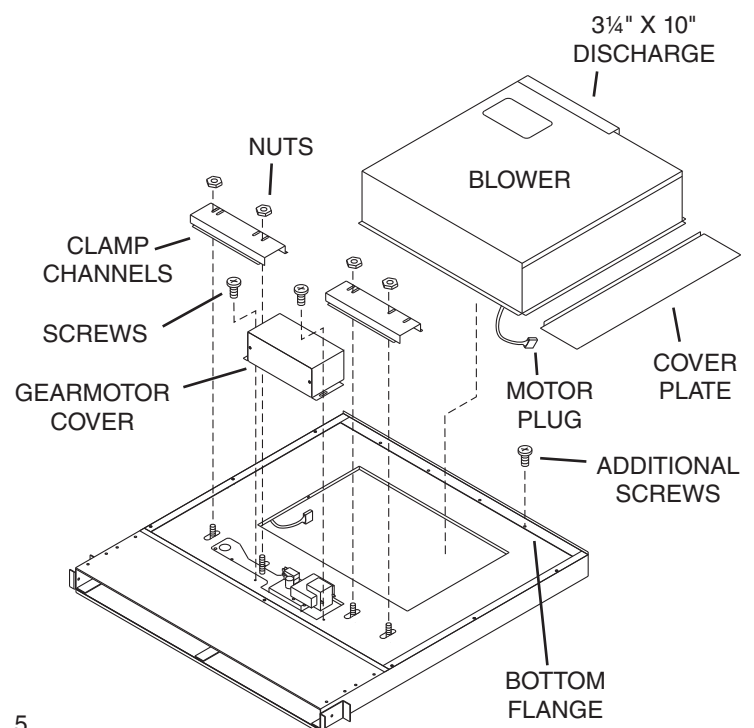
PLEASE NOTE: External blowers must be hard-wired using locally-supplied wire and connected to the downdraft plug (included).

PREPARE THE DOWNDRAFT

Interior Blower Installation

The downdraft is shipped without a blower. Purchase a Model VIDV500 Interior Blower and mount it to the downdraft as follows:

1. Place the downdraft on its back on a table of flat work surface.
2. Remove the **4 nuts** and **2 clamp channels**.
3. Remove **2 screws** and the **gear motor cover**.
4. Carefully position the blower under the **bottom flange** of the downdraft with the **3¼" x 10" discharge** pointed in the desired direction.
5. Connect **motor plug**.
6. Replace the gear motor cover and 2 sheet metal screws.
7. Replace the 2 clamp channels and start the 4 nuts, do not tighten.
8. Slide blower left of right to desired position. Use **cover plate** (supplied) to close up any open space.
9. Tighten 4 nuts to secure top of blower. Use **additional screws** (supplied) through bottom flange to secure bottom in blower.

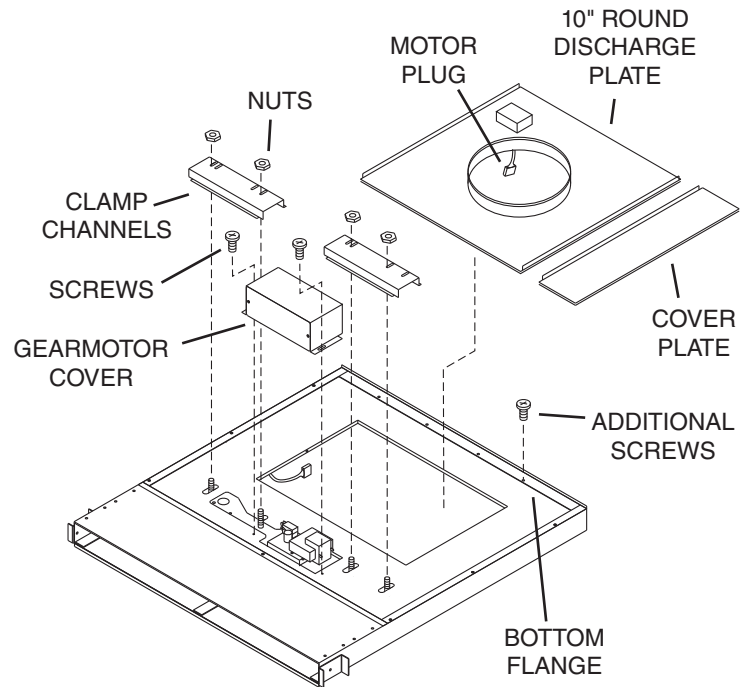


PREPARE THE DOWNDRAFT

Exterior Blower Installation

The downdraft is shipped without a blower. Purchase a Model VEDV900 or VEDV1200 Exterior Blower and mount the **10" discharge plate** to the downdraft as follows:

1. Place the downdraft on its back on a table of flat work surface.
2. Remove the **4 nuts** and **2 clamp channels**.
3. Remove **2 screws** and the **gear motor cover**.
4. Carefully position the 10" discharge plate under the **bottom flange** of the downdraft.
5. Connect **motor plug**.
6. Replace the gear motor cover and 2 sheet metal screws.
7. Replace the 2 clamp channels and start the 4 nuts, do not tighten.
8. Slide blower left of right to desired position. Use **cover plate** (supplied) to close up any open space.
9. Tighten 4 nuts to secure top of blower. Use **additional screws** (supplied) through bottom flange to secure bottom of discharge plate.



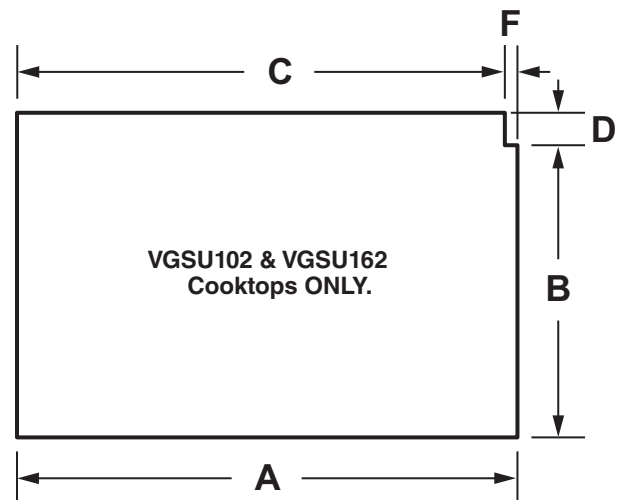
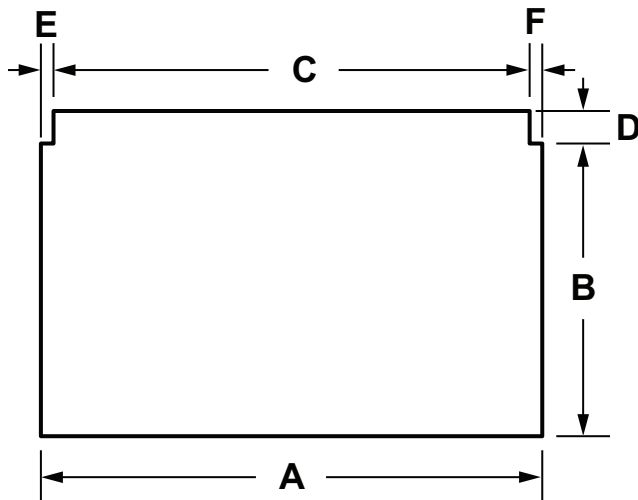
CUT COUNTERTOP OPENING

All Units

1. Measure and cut the countertop opening for your width of cooktop and downdraft.

Cooktop Width & Model	30" VECU	36" VECU	VGSU102	VGSU162	30" VGRT *	36" VGRT *	48" VGRT *
For use with Downdraft Models	VIPR102SS VIPR102RSS	VIPR162SS VIPR162RSS	VIPR102SS VIPR102RSS	VIPR162SS VIPR162RSS	VIPR102RSS	VIPR162RSS	VIPR182RSS
Cutout Dimensions							
A	28-3/4"	34-3/4"	28-1/16"	34-1/4"	30"	36"	48"
B	20-1/4"	20-1/4"	18-3/4"	18-3/4"	24"	24"	24"
C	27"	33"	27"	33"	27"	33"	45"
D	2-1/4"	2-1/4"	3"	3"	2-3/4"	2-3/4"	2-3/4"
E	7/8"	7/8"	---	---	1-1/2"	1-1/2"	1-1/2"
F	7/8"	7/8"	1-1/16"	1-1/4"	1-1/2"	1-1/2"	1-1/2"

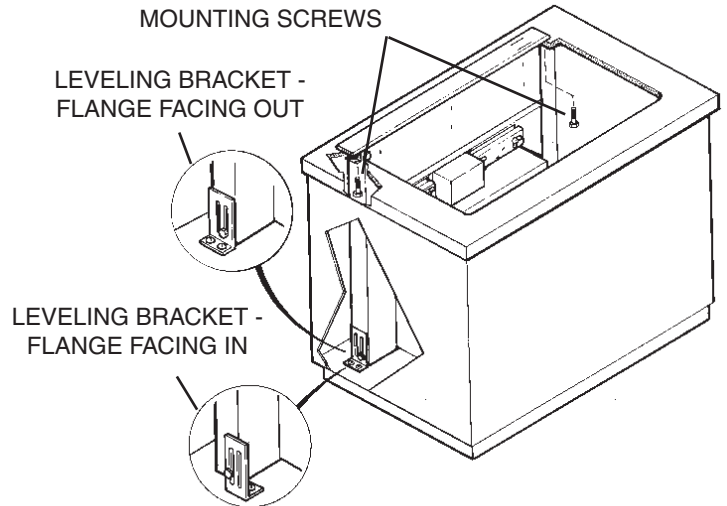
* Must use island trim. Rear countertop trim (supplied with island trim) will be used in this installation.



MOUNT THE UNIT

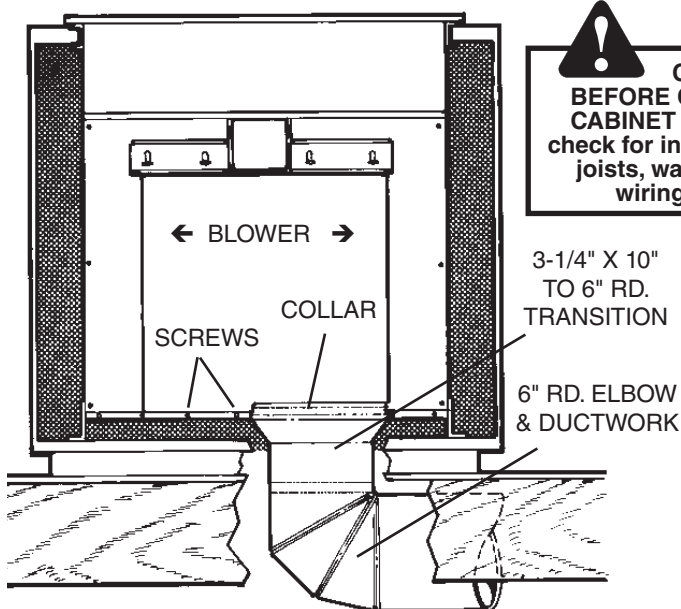
All Units

1. Set downdraft into opening. Extend **leveling brackets** to floor of cabinet so downdraft sits straight. (Note: Leveling brackets can be removed and re-attached in other positions. Bottom flange may have to face inward in tight cabinet installations.)
2. Secure the downdraft to the countertop as follows: Hold the downdraft against the back of countertop cut-out and tightening the two **mounting screws** (one on each end of unit) on underside of countertop. Use a wood shim between screw and underside of granite countertops.
3. Screw **leveling brackets** to bottom of cabinet. Tighten screws holding leveling bracket to unit on each side.



INSTALL DUCTWORK

Interior Blower Installation

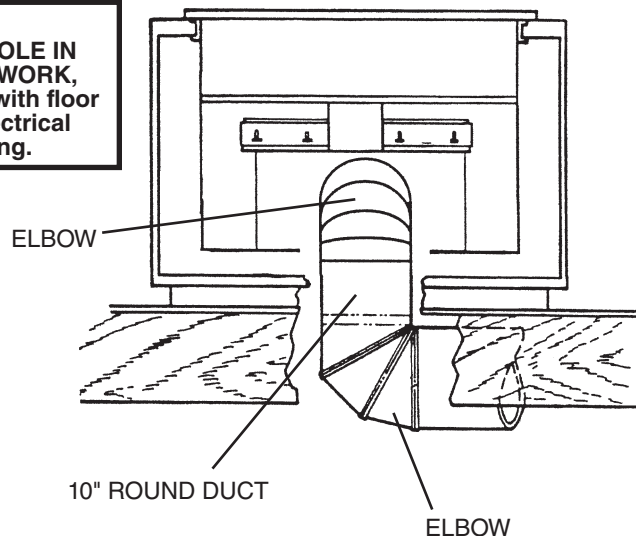


CAUTION:
BEFORE CUTTING HOLE IN CABINET FOR DUCTWORK, check for interference with floor joists, wall studs, electrical wiring, or plumbing.

3-1/4" X 10"
TO 6" RD.
TRANSITION

6" RD. ELBOW
& DUCTWORK

Exterior Blower Installation



1. Cut hole in cabinet as well as holes in wall or floor as necessary.
2. Mount the roof or wall cap and work back towards the cabinet, attaching all **ductwork, elbows and transitions** as previously planned. Tape all ductwork connections to make them secure and air tight.
3. Connect **ductwork** (and transition, if required) to downdraft. If necessary, **LOOSEN** nuts and **screws** that hold the blower in place, and slide **blower** left or right to meet ductwork. Re-tighten screws and nuts.

Note: A 3-1/4" x 10" collar is provided for installers who prefer to rivet the ductwork to the unit. This will allow blower to be removed and replaced easily in service situations without disturbing ductwork.

1. Cut hole in cabinet as well as holes in wall or floor as necessary.
2. Mount the exterior blower and work back towards the cabinet, attaching all **ductwork, elbows and transitions** as previously planned. Tape all ductwork connections to make them secure and air tight.
3. Connect ductwork to downdraft. If necessary, **LOOSEN** nuts and screws that hold remote blower adapter plate in place, and slide outlet assembly left or right to meet ductwork. Re-tighten screws and nuts.

INSTALL ELECTRICAL WIRING

Interior Blower Installation



CAUTION: All electrical wiring should be done by a qualified person(s) in accordance with all applicable codes and standards.

1. Mount a standard wiring box, with 3-pronged receptacle, inside the cabinet. Make sure the downdraft's power cord can easily reach it.
2. Run appropriate power cable into cabinet and connect it to receptacle.
3. Plug the downdraft's power cord into the outlet. Make sure that the power cord is routed away from the heat generated by the cooktop.

Exterior Blower Installation



CAUTION: All electrical wiring should be done by a qualified person(s) in accordance with all applicable codes and standards.

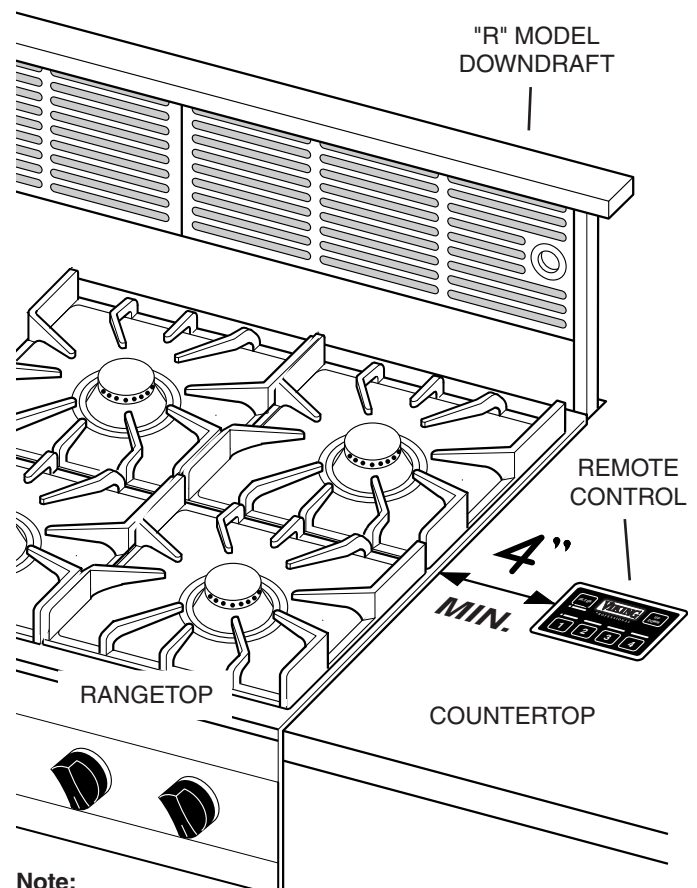
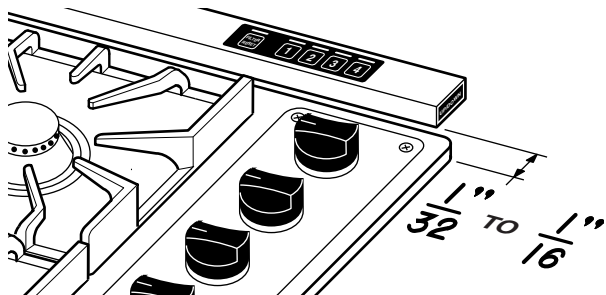
1. Mount a standard wiring box, with 3-pronged grounded receptacle, inside the kitchen cabinet. Make sure the downdraft's power cord can easily reach it.
2. Run appropriate power cabinet into cabinet and connect it to electrical box and receptacle.
3. Exterior blower **may not exceed 6.0 Amp** rating.
4. Run 2-wire plus ground power cable from the remote blower to wiring box on 10" round discharge plate.
5. Connect downdraft wiring to power cable from remote blower. Wire black to black, white to white, and green to green or bare wire.
6. Replace wiring box cover.
7. Plug the downdraft's power cord into outlet. Make sure that the power cord is routed away from the heat generated by the cooktop.

INSTALL COOKTOP

All Units

1. Align the cooktop with the downdraft and fasten cooktop in place.

Note: Accurate alignment of cooktop and downdraft is necessary to ensure that there is no interference when air vent is raised and lowered. There should be a gap of $\frac{1}{32}$ " - $\frac{1}{16}$ " between the back of the cooktop and the front of the downdraft cover.



Note:

Rangetops and Designer Cooktops must be used with an "R" model downdraft (with remote control) - mounted into the countertop, at least 4" from the burners.

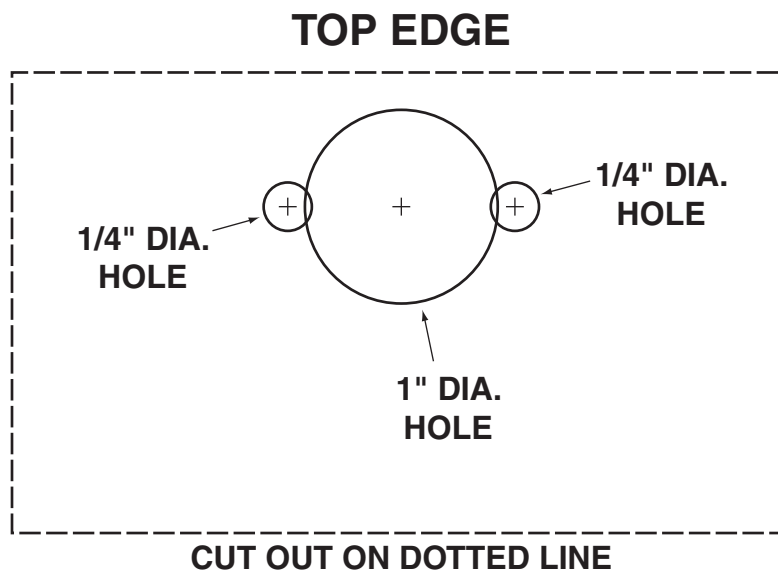
INSTALLATION OF REMOTE CONTROL SWITCH



WARNING: To reduce the risk of burns or ignition of clothing by reaching across burners, the remote control must be mounted at least 4" away from any cook top burner.

Keep in mind you do not want to place the control where it will be in the way for cooking, or where hot pans could be set, or hot liquids spilled on the control.

- Using the template below, lay out the 3-hole pattern on the counter top. Mark the centers of the three holes to be drilled.
- Carefully drill the three holes through the counter top. Be careful not to damage or chip the counter top surface when drilling the holes.
- Remove the control from the plastic bag. Remove the paper from the adhesive back of the control, line the control up with the three holes and position the control so it is parallel with the front of the counter top. Press down firmly for 60 seconds.
- Remove the two nylon thumbnuts from the plastic bag and thread onto the two studs on the control from below the counter top. **Hand tighten only.** The thumbnuts just need to be snugged by hand. They are there to hold the control in place until the adhesive sets up.
- Remove cable from the plastic bag and plug into back of control from below counter top. Route cable through cabinet to lower right hand corner of downdraft. Plug other end of cable into the downdraft unit. (Receptacle hole for cabinet is on the lower right hand side of the downdraft.)
- Stuff excess cable out of the way and secure the cable so it is not damaged from items stored in the cabinet.



This page has been
left blank intentionally.

BACKSIDE OF
REMOTE SWITCH
TEMPLATE

OPERATION

UP / DOWN-----Raises and lowers vent.
Turns blower ON when vent is UP and OFF when vent is DOWN.

All Units

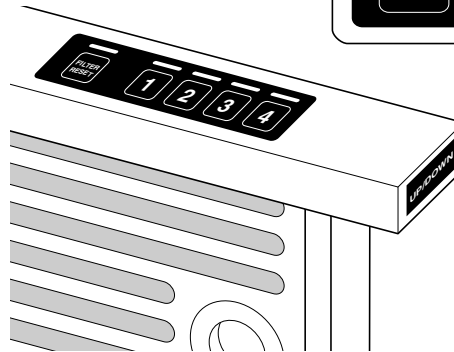
Note: The UP/DOWN switch for models VIPR102SS, VIPR162SS, and VIPR182SS is on the right hand end of the top cover.

DELAY-----Allows blower to run for 10 min. after button is pressed. Delay is activated by double pressing any speed control button. Blower will run for 10 min. - then shut OFF. *VENT WILL NOT LOWER.* You must press UP / DOWN to lower vent. When DELAY is activated, the speed level light will blink.

BLOWER SPEEDS -----Blower operates at 4 different speed levels. Press button ONCE to turn blower ON to desired speed. Press button AGAIN to turn blower OFF.

FILTER LIGHT -----Comes ON after 30 hours of operation to remind you to clean filters. Press button to reset.

**REMOTE CONTROL
FOR MODELS
VIPR102RSS
VIPR162RSS
VIPR182RSS**



**TOP COVER CONTROL
FOR MODELS
VIPR102SS
VIPR162SS
VIPR182SS**

USE AND CARE

Always turn the downdraft blower on before you begin cooking to establish an air flow in the kitchen. Let the blower run for a few minutes to clean the air after you turn the cooktop off. This will keep the whole kitchen cleaner and brighter. The activating switch is pressed and the air vent rises.

All Units



WARNING: Always disconnect electric power supply before cleaning and/or servicing unit.

Wash the 2 aluminum/stainless steel grease filters in a mild detergent solution or a dishwasher. Remove them from the air vent by grasping the tab at the top of each filter.

Cleaning

Use a mild detergent suitable for painted surfaces. **DO NOT USE ABRASIVE CLOTH, STEEL WOOL PADS, OR SCOURING POWDERS.** Vacuum blower to clean. Do not immerse blower in water.

Servicing

It may be necessary to remove the downdraft blower system from the cabinet in order to service components such as the blower motor or air vent mechanism.

Disconnect power to the cooktop and remove it first. Reverse the steps under "MOUNT THE UNIT" to remove the downdraft from the cabinet.

PROFESSIONAL SERIES BUILT-IN REAR DOWNDRAFT WARRANTY

ONE YEAR FULL WARRANTY

Built-in downdraft ventilators, all of their component parts and accessories, except as detailed below*, are warranted to be free from defective materials or workmanship in normal household use for a period of twelve (12) months from the date of original retail purchase. Viking Range Corporation, warrantor, agrees to repair or replace, at its option, any part which fails or is found to be defective during the warranty period. For the purpose of this warranty, normal household use **shall not** include use of this downdraft ventilator with a cooking unit that has a grill. The Viking warranty does not cover any additional ventilation products not provided by Viking used in conjunction with Viking downdrafts or ventilator kits. This includes, but is not limited to, such devices as booster fans or in-line blowers. Any malfunction caused to Viking ventilation products as a direct result of the use of such equipment is not covered under the Viking warranty.

Painted and decorative items are warranted to free from defective materials or workmanship for a period of ninety (90) days from the date of original retail purchase. ANY DEFECTS MUST BE REPORTED TO THE SELLING DEALER WITHIN NINETY (90) DAYS FROM DATE OF ORIGINAL RETAIL PURCHASE.

FIVE YEAR LIMITED WARRANTY

Any ventilator motor which fails due to defective materials or workmanship in normal household use during the second through the fifth year from the date of original retail purchase will be repaired or replaced, free of charge for the part itself, with the owner paying all other costs, including labor.

This warranty extends to the original purchaser of the product warranted hereunder and to each transferee owner of the product during the term of the warranty.

This warranty shall apply to products purchased and located in the United States and Canada. Products must be purchased in the country where service is requested. Warranty labor shall be performed by an authorized Viking Range Corporation service agency or representative. Warranty shall not apply to damage resulting from abuse, accident, natural disaster, loss of electrical power to the product for any reason, alteration, outdoor use, improper installation, improper operation or repair or service to the product by anyone other than an authorized Viking Range Corporation service agency or representative. This warranty does not apply to commercial usage. Warrantor is not responsible for consequential or incidental damage whether arising out of breach of warranty, breach of contract, or otherwise. Some jurisdictions do not allow the exclusion or limitation of incidental or consequential damages, so the above limitation or exclusion may not apply to you.

Owner shall be responsible for proper installation, providing normal care and maintenance, providing proof of purchase upon request, and making the appliance reasonably accessible for service. If the product or one of its component parts contains a defect or malfunction during the warranty period, after a reasonable number of attempts by the warrantor to remedy the defects or malfunctions, the owner is entitled to either a refund or replacement of the product or its component part or parts. Replacement of a component part includes its free installation. Warrantor's liability on any claim of any kind, with respect to the goods or services covered hereunder, shall in no case exceed the price of the goods or service or part there of which gives rise to the claim.

WARRANTY SERVICE: Under the terms of this warranty, service must be performed by a factory authorized Viking Range Corporation service agent or representative. Service will be provided during normal business hours, and labor performed at overtime or premium rates shall not be covered by this warranty. To obtain warranty service, contact the dealer from whom the product was purchased, an authorized Viking Range Corporation service agent, or Viking Range Corporation. Provide model and serial number and date of original purchase. For the name of your nearest authorized Viking Range Corporation service agency, call the dealer from whom the product was purchased or Viking Range Corporation. **IMPORTANT:** Retain proof of original purchase to establish warranty period.

The return of the Owner Registration Card is not a condition of warranty coverage. You, however, should return the Owner Registration Card so that Viking Range Corporation can contact you should any question of safety arise which could affect you. Any implied warranties of merchantability and fitness applicable to the above described ventilator motor are limited in duration to the period of coverage of the applicable express written limited warranties set forth above. Some jurisdictions do not allow limitations on how long an implied warranty lasts, so the above limitation may not apply to you. This warranty gives you specific rights, and you may also have other rights which may vary from jurisdiction to jurisdiction.

VIKING RANGE CORPORATION
111 Front Street
Greenwood, Mississippi 38930 USA
(662) 455-1200

Specifications subject to change without notice.
For more product information, call 1-888-VIKING1 (845-4641), or visit the Viking
web site at <http://www.vikingrange.com>

MODÈLE	LARGEUR	VENTILATEUR (vendu séparément)
VIPR102	76,2 cm (30 po)	VIDV500 intérieur ou VEDV900 extérieur
VIPR102R	76,2 cm (30 po) télécommande	VIDV500 intérieur ou VEDV900 extérieur
VIPR162	91,4 cm (36 po)	VIDV500 intérieur ou VEDV900 extérieur
VIPR162R	91,4 cm (36 po) télécommande	VIDV500 intérieur ou VEDV900 extérieur
VIPR182	121,9 cm (48 po)	VIDV500 intérieur, VEDV900 extérieur ou VEDV1200 extérieur
VIPR182R	121,9 cm (48 po) télécommande	VIDV500 intérieur, VEDV900 extérieur ou VEDV1200 extérieur



AVERTISSEMENT – SURFACE DE CUISSON SEULEMENT : Pour réduire les risques de brûlure ou que des vêtements s'enflamment en traversant les brûleurs, une hotte de modèle « R » (à télécommande) **DOIT** être utilisée avec le surface de cuisson. La télécommande **DOIT** être installée à au moins 10 cm (4 po) des brûleurs de la cuisinière. Consultez les instructions à la page 20 "INSTALLATION DE LA SURFACE DE CUISSON".

LIRE ET CONSERVER CES INSTRUCTIONS



DESTINÉ À LA CUISINE DOMESTIQUE SEULEMENT



AVERTISSEMENT



AFIN DE DIMINUER LES RISQUES D'INCENDIE, D'ÉLECTROCUTION OU DE BLESSURES, SUIVEZ CES DIRECTIVES:

- Utilisez ce produit en suivant les recommandations du fabricant. Pour toute question, contactez le fabricant à l'adresse ou au numéro de téléphone indiqués dans la garantie.
- Avant de réparer ou de nettoyer cette hotte, coupez le courant au panneau d'alimentation et verrouillez-en l'accès afin d'éviter que le courant ne soit accidentellement remis en fonction. S'il vous est impossible de le verrouiller, apposez un indicateur voyant sur le panneau comme, par exemple, une étiquette de couleur vive.
- L'installation de la hotte ainsi que le câblage électrique doivent être effectués par une ou des personnes compétentes selon les normes et les règles en vigueur, incluant celles qui régissent la prévention des incendies.
- Une circulation d'air efficace est requise afin d'assurer la combustion et l'évacuation complète des gaz par le tuyau d'évacuation (cheminée) des équipements à combustion et pour prévenir les retours d'air. Conformez-vous aux normes et mesures de sécurité pour les fabricants d'appareils de chauffage publiées par la "National Fire Protection Association (NFPA)" et par la "American Society for Heating, Refrigeration and Air Conditioning Engineers (ASHRAE)", ainsi qu'aux normes en vigueur dans votre région.
- Lorsque vous coupez ou percez un mur ou un plafond, prenez garde d'endommager les fils électriques ou autres installations qui pourraient être dissimulés.
- Les installations ventilées doivent toujours être reliées à des conduits rejetant l'air à l'extérieur.
- Afin de diminuer les risques d'incendie, n'utilisez que des conduits de ventilation en métal.
- Ne pas installer ce produit en plaçant le commutateur directement derrière un brûleur ou un élément. La distance entre le commutateur et le bord du brûleur doit être au minimum de 10 cm (4 po).
- Ne pas porter de vêtements amples ou accrochants lors de l'utilisation de cet appareil. Ils pourraient s'enflammer au contact de l'un des brûleurs ou des éléments de la cuisinière.
- Ne jamais laisser un enfant seul ou sans surveillance à proximité de cet appareil lors de son utilisation.
- Ce ventilateur doit être relié à une mise à la terre.

AFIN DE DIMINUER LES RISQUES D'INCENDIE POUVANT SE DÉCLENCHER SUR LA SURFACE DE CUISSON:

- Ne jamais laisser sans surveillance des unités de surface réglées à feu vif. En plus de générer de la fumée, les débordements de graisse peuvent prendre feu. Chauffer les huiles lentement à feu doux ou moyen.
- Toujours mettre en marche la hotte durant la cuisson à feu vif ou la cuisson d'aliments à flamber.
- Nettoyer régulièrement les ventilateurs d'aération. On ne doit tolérer aucune accumulation de graisse sur le ventilateur ou sur le filtre.
- Utiliser une casserole de grosseur appropriée. Toujours utiliser une batterie de cuisine proportionnelle à l'élément de surface.

AVERTISSEMENT



AFIN DE DIMINUER LES RISQUES DE BLESSURES POUVANT SURVENIR LORSQU'UN FEU SE DÉCLENCHE SUR LA SURFACE DE CUISSON, SUIVEZ CES DIRECTIVES:

- ÉTOUFFEZ LES FLAMMES avec un couvercle hermétique, une tôle à biscuits ou un plateau en métal puis éteignez la cuisinière. PRENEZ GARDE AUX BRÛLURES. Si vous ne parvenez pas à éteindre immédiatement les flammes, ÉVACUEZ LES LIEUX ET CONTACTEZ VOTRE POSTE LOCAL DE LUTTE CONTRE LES INCENDIES.
- NE VOUS EMPAREZ JAMAIS D'UN PLAT QUI S'EST ENFLAMMÉ – Vous risqueriez de vous brûler.
- N'UTILISEZ JAMAIS D'EAU, incluant les linges à vaisselles ou serviettes mouillées car cela peut provoquer une violente explosion de vapeur.
- Utilisez un extincteur SEULEMENT si:
 - Il s'agit d'un extincteur de classe ABC et que vous savez comment vous en servir.
 - Il s'agit d'un petit feu qui ne se propage pas ailleurs que sur la cuisinière.
 - Vous avez appelé votre poste local de lutte contre les incendies.
 - Vous pouvez combattre le feu tout en ayant accès à une sortie.

* Basé sur "Kitchen Fire Safety Tips" édité par NFPA.

ATTENTION



- Pour ventilation générale seulement. Ne l'utilisez pas pour évacuer les vapeurs ou matériaux dangereux ou que peuvent exploser.
- Pour éviter d'endommager les coussinets du moteur et des turbines bruyantes et/ou mal équilibrées, assurez que l'unité motrice est exempte de poussière provenant des murs en pierres sèches et la construction.
- Nettoyer souvent les filtres et les surfaces grasses.
- Ne réparer ou remplacer que les pièces recommandées dans ce manuel. Toute autre réparation doit être confiée à un technicien qualifié.
- Veillez lire l'étiquette de spécifications sur le produit pour d'autres renseignements et exigences.
- NE PAS INSTALLER DANS UNE SURFACE DE CUISSON MUNIE D'UN GRIL. Une telle installation annule votre garantie.
- Modèles VIPR102SS, VIPR162SS et VIPR182SS (sans télécommande) :** NE PAS INSTALLER DANS UNE SURFACE DE CUISSON. Une telle installation annule votre garantie.

INSTALLATEUR: Remettez ce manuel au propriétaire de maison.

PROPRIÉTAIRE DE MAISON: Mode d'utilisation et soin à la page 23.

PRÉPARATION

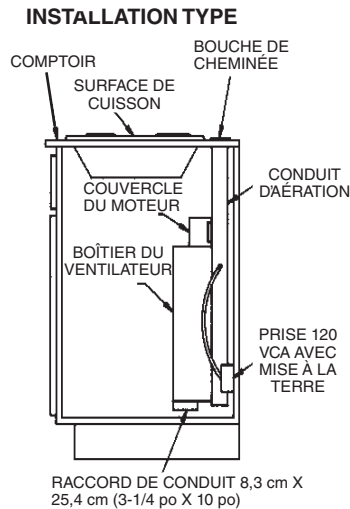
Installation du ventilateur intérieur

Ce ventilateur encastré est conçu pour évacuer les contaminants de l'air lors de l'utilisation d'une surface de cuisson au gaz ou électrique. Il peut être installé dans un îlot, une péninsule ou un comptoir conventionnel appuyé contre un mur.

Pour l'installation, procédez simplement comme suit :

- Découpez l'ouverture dans le comptoir.
- Installez l'appareil dans l'armoire.
- Installez le ventilateur intérieur modèle VIDV500.
- Raccordez les conduits et effectuez les connexions électriques.
- Installez la surface de cuisson.

Remarque : Le débit d'air élevé de cet appareil peut affecter la flamme de certaines surfaces de cuisson au gaz. Cet effet est NORMAL et inoffensif, mais il peut être corrigé en réduisant la vitesse de la soufflerie.



SPÉCIFICATIONS ÉLECTRIQUES
120 VCA • 60 Hz • 4,0 A

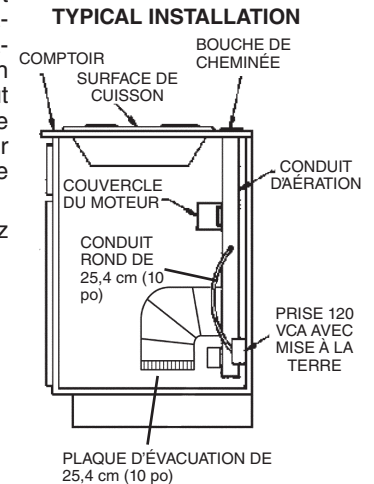
Installation du ventilateur extérieur

Ce ventilateur encastré est conçu pour évacuer les contaminants de l'air lors de l'utilisation d'une surface de cuisson au gaz ou électrique. Il peut être installé dans un îlot, une péninsule ou un comptoir conventionnel appuyé contre un mur.

Pour l'installation, procédez simplement comme suit :

- Découpez l'ouverture dans le comptoir.
- Installez l'appareil dans l'armoire.
- Installez la plaque d'évacuation de 25,4 cm (10 po)
- Installez le ventilateur extérieur modèle VEDV900 ou VEDV1200 (modèle de 122 cm/48 po SEULEMENT)
- Raccordez les conduits et effectuez les connexions électriques.
- Installez la surface de cuisson.

Remarque : Le débit d'air élevé de cet appareil peut affecter la flamme de certaines surfaces de cuisson au gaz. Cet effet est NORMAL et inoffensif, mais il peut être corrigé en réduisant la vitesse de la soufflerie.



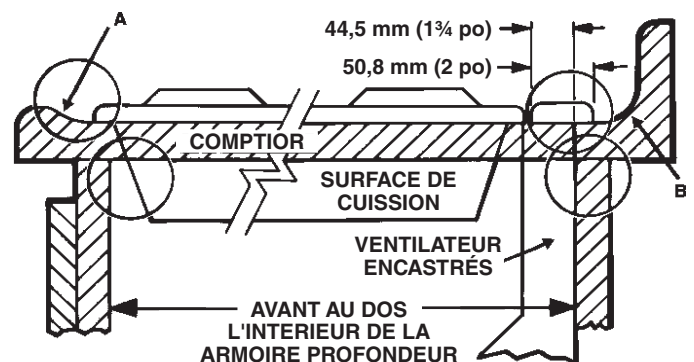
SPÉCIFICATIONS ÉLECTRIQUES
120 VCA • 60 Hz • 6,0 A (max.)

PRISE DES MESURES

Tous les appareils

1. Consultez les instructions d'installation pour connaître les dimensions de la surface de cuisson, du découpage à effectuer dans le comptoir et les exigences pour l'armoire. Les modèles VIPR102SS et VIPR102RSS s'insèrent dans la plupart des armoires de 76,2 cm (30 po) de largeur, les modèles VIPR162SS et VIPR162RSS dans la plupart des armoires de 91,4 cm (36 po) de largeur et les modèles VIPR182SS et VIPR182RSS dans la plupart des armoires de 122 cm (48 po) de largeur. Il est cependant recommandé d'utiliser des armoires plus grandes pour faciliter l'installation.
2. La profondeur des surfaces de cuisson peut varier beaucoup d'un modèle à l'autre. Il est possible que l'installation des deux appareils soit particulièrement serrée.

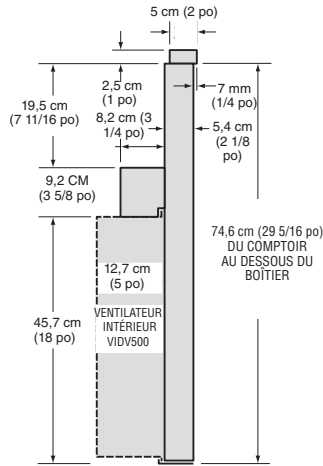
Faites particulièrement attention aux points encadrés ci-contre pouvant nuire éventuellement. Un comptoir à rebord surélevé (A) ou à dossier arrondi (B) risque de ne pas offrir une surface plate suffisamment grande pour permettre une installation adéquate. Une surface plate de 5 cm (2 po) est nécessaire derrière la plaque de cuisson et une distance de 4,4 cm (1-3/4 po) est requise entre l'arrière de la plaque de cuisson et le fond de l'armoire.



PRISE DES MESURES (SUITE)

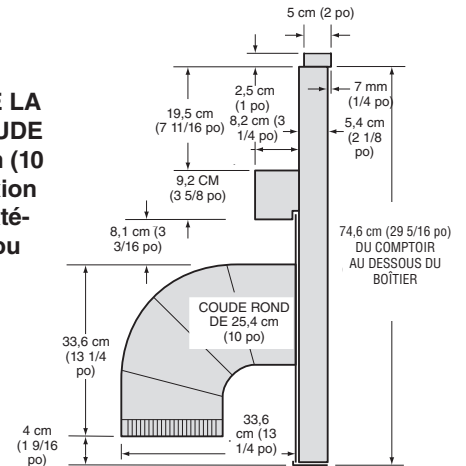
Installation du ventilateur intérieur

VUE DE CÔTÉ DE LA HOTTE AVEC VENTILATEUR INTÉRIEUR VIDV500



Installation du ventilateur extérieur

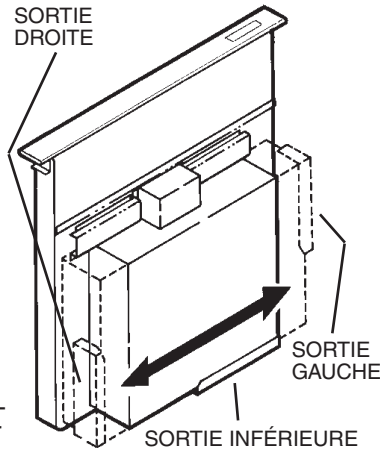
VUE DE CÔTÉ DE LA HOTTE AVEC COUDE ROND DE 25,4 cm (10 po) (pour connexion au ventilateur extérieur VEDV900 ou VEDV1200)



PRÉPARATION DES CONDUITS

Installation du ventilateur intérieur

1. Le ventilateur encastré intérieur est conçu pour des conduits de 8,3 cm x 25,4 cm (3-1/4 po x 10 po) (ou transformés en conduits ronds de 15,3 cm/6 po). Il existe trois directions possibles pour la sortie avec un ajustement latéral pour un parfait alignement du conduit.



2. Pour un rendement optimal : Choisissez pour les conduits le trajet le plus court possible avec un minimum de coudes et de transitions. Assurez-vous que les solives du plancher, les montants des murs, les câbles électriques et les tuyaux de nuisent pas.

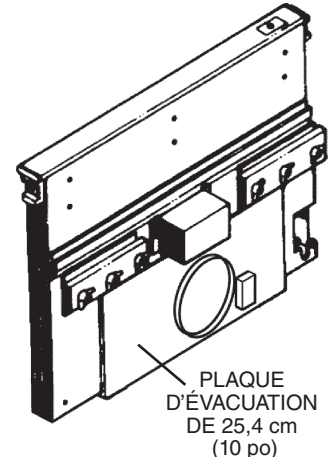
<p>ÉGALE UN CONDUIT DROIT DE 61 CM (2 PI)</p> <p>ÉGALE UN CONDUIT DROIT DE 183 CM (6 PI)</p>	<p>TRANSITION DE 8,3 cm X 25,4 cm (3-1/4 po X 10 po) À 15,3 cm (6 po) ROND.</p> <p>ÉGALE UN CONDUIT DROIT DE 61 CM (2 PI)</p>	<p>COUDE A 90° DE 8,3 cm X 25,4 cm (3-1/4 po X 10 po)</p> <p>ÉGALE UN CONDUIT DROIT DE 244 CM (8 PI)</p>
--	---	--

3. L'évacuation est plus efficace lorsque les conduits ne dépassent pas 12 m (40 pi) de longueur ou l'équivalent. L'illustration ci-dessus indique l'équivalent en longueur d'un coude rond de 25,4 cm (10 po). La longueur des conduits droits plus l'équivalent pour les coudes ne doit pas excéder 12 m (40 pi).

REMARQUE : L'équivalent en longueur pour les chapeaux de toit et de mur a été pris en considération. Ne pas inclure ces éléments dans votre calcul.

Installation du ventilateur extérieur

1. Le ventilateur encastré extérieur est conçu pour des conduits ronds de 25,4 cm (10 po).
2. Pour un rendement optimal : Choisissez pour les conduits le trajet le plus court possible avec un minimum de coudes. Assurez-vous que les solives du plancher, les montants des murs, les câbles électriques et les tuyaux de nuisent pas.



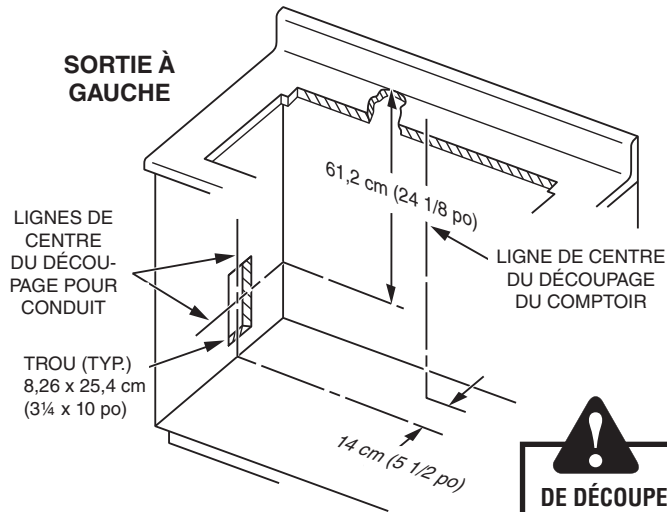
<p>COUDE ROND DE 25,4 cm (10 po)</p>	<p>ÉGALE UN CONDUIT DROIT DE 183 CM (6 PI)</p>
--------------------------------------	--

3. L'évacuation est plus efficace lorsque les conduits ne dépassent pas 12 m (40 pi) de longueur ou l'équivalent. L'illustration ci-dessus indique l'équivalent en longueur des coudes et des transitions. La longueur des conduits droits plus l'équivalent pour les coudes et les transitions ne doit pas excéder 12 m (40 pi).

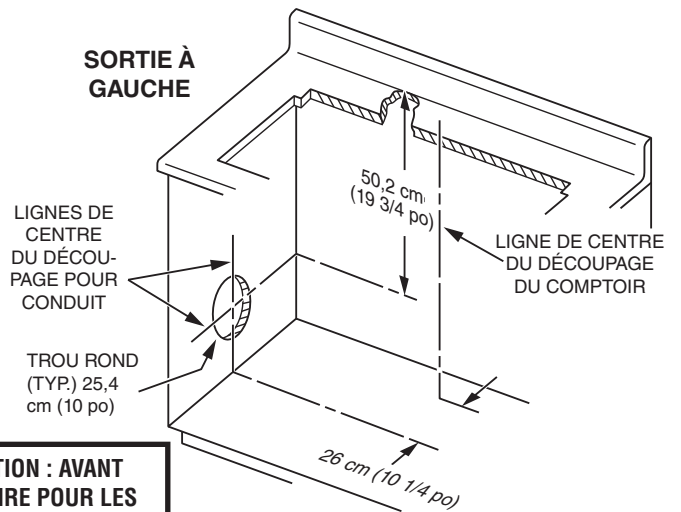
REMARQUE : L'équivalent en longueur pour les chapeaux de toit et de mur a été pris en considération. Ne pas inclure ces éléments dans votre calcul.

PRÉPARATION DU DÉCOUPAGE DE L'ARMOIRE

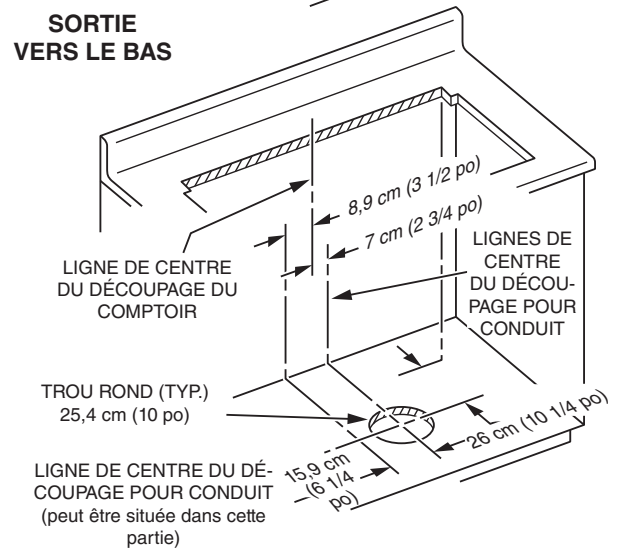
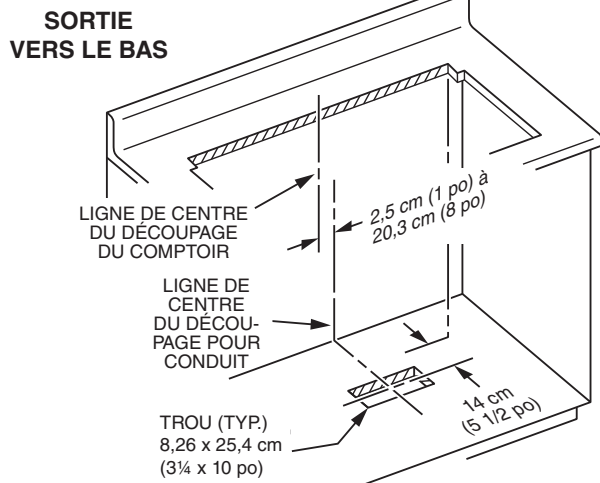
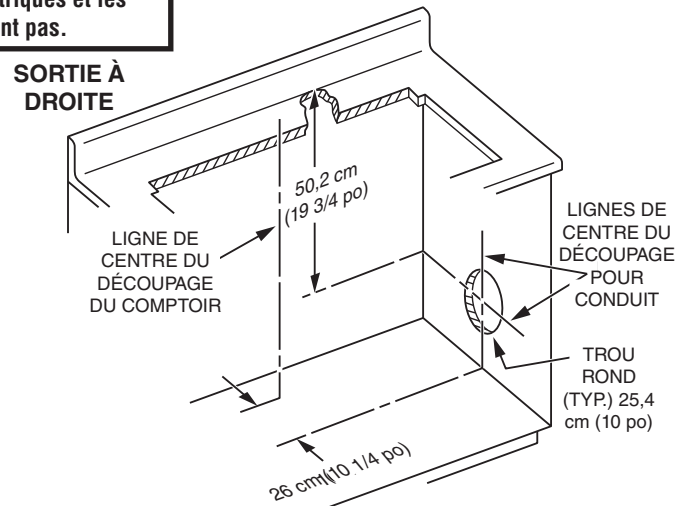
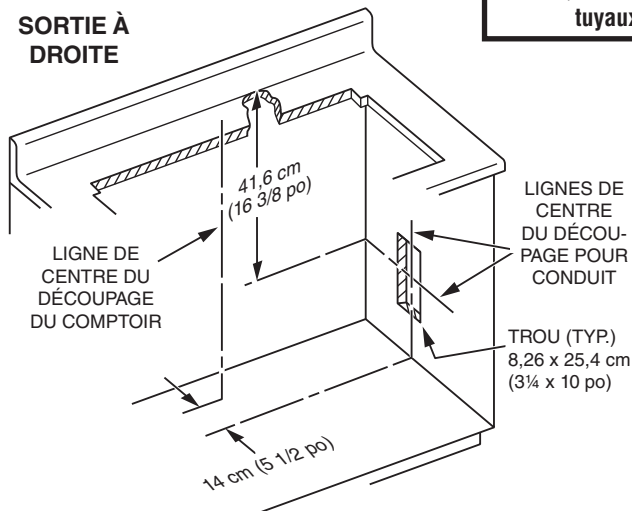
Installation du ventilateur intérieur



Installation du ventilateur extérieur



ATTENTION : AVANT DE DÉCOUPER L'ARMOIRE POUR LES CONDUITS, assurez-vous que les solives du plancher, les montants des murs, les câbles électriques et les tuyaux de nuisent pas.



PRÉPARATION DU CÂBLAGE

Installation du ventilateur intérieur

1. Le ventilateur encastré intérieur consomme 4 AMPÈRES et nécessite un circuit de 120 VCA, 60 Hz.
2. Le ventilateur encastré est munie d'un cordon électrique de 61 cm (2 pi) avec une fiche à trois broches. Prévoyez l'installation d'une prise avec mise à la terre à un endroit permettant le branchement du cordon.

IMPORTANT – POSITION DE LA PRISE ÉLECTRIQUE :

Si les modèles VIPR102SS ou VIPR102RSS sont installés dans une armoire de 76,2 cm (30 po) de largeur...

ou les modèles VIPR162SS ou VIPR162RSS sont installés dans une armoire de 91,4 cm (36 po) de largeur...

ou les modèles VIPR182SS ou VIPR182RSS sont installés dans une armoire de 122 cm (48 po) de largeur...

...la prise ne peut pas être fixée au fond de l'armoire.

Dans ce cas, le boîtier de la hotte occupe presque toute la largeur de l'armoire. Vous pouvez alors :

- installer la prise électrique sur les côtés ou sur le plancher de l'armoire – à au moins 30 cm (12 po) du fond.
- installer la prise électrique sur un montant du mur derrière l'armoire – à un endroit où elle ne sera pas masquée par la hotte, puis percer un trou d'accès dans le fond de l'armoire.

Installation du ventilateur extérieur

1. Le ventilateur encastré intérieur consomme 6 AMPÈRES et nécessite un circuit de 120 VCA, 60 Hz.
2. Le ventilateur encastré est munie d'un cordon électrique de 61 cm (2 pi) avec une fiche à trois broches. Prévoyez l'installation d'une prise avec mise à la terre à un endroit permettant le branchement du cordon.

IMPORTANT – POSITION DE LA PRISE ÉLECTRIQUE :

Si les modèles VIPR102SS ou VIPR102RSS sont installés dans une armoire de 76,2 cm (30 po) de largeur...

ou les modèles VIPR162SS ou VIPR162RSS sont installés dans une armoire de 91,4 cm (36 po) de largeur...

ou les modèles VIPR182SS ou VIPR182RSS sont installés dans une armoire de 122 cm (48 po) de largeur...

...la prise ne peut pas être fixée au fond de l'armoire.

Dans ce cas, le boîtier de la hotte occupe presque toute la largeur de l'armoire. Vous pouvez alors :

- installer la prise électrique sur les côtés ou sur le plancher de l'armoire – à au moins 30 cm (12 po) du fond.
- installer la prise électrique sur un montant du mur derrière l'armoire – à un endroit où elle ne sera pas masquée par la hotte, puis percer un trou d'accès dans le fond de l'armoire.

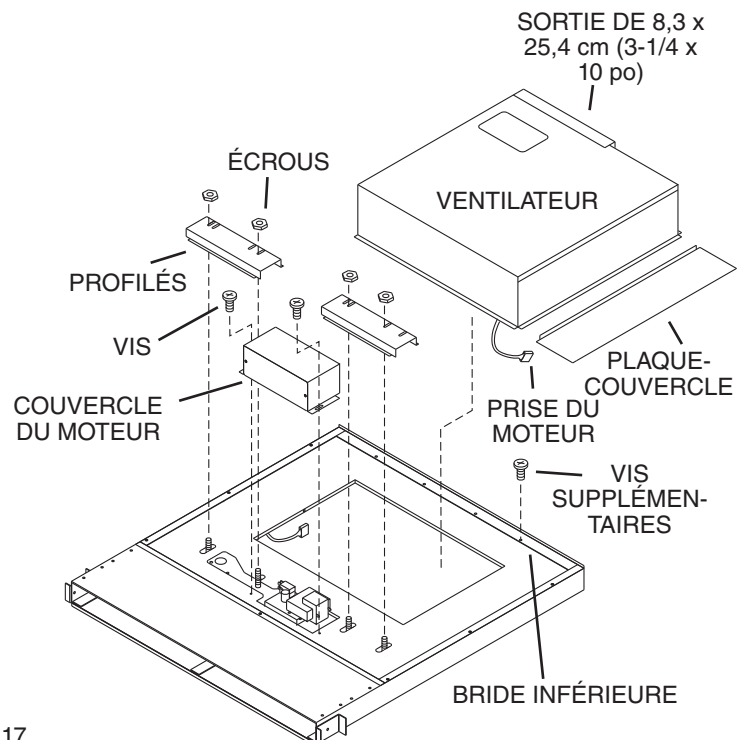
SVP NOTE: Des ventilateurs externes doivent être câblés en utilisant le fil local-fourni et être reliés à la prise de downdraft (incluse).

PRÉPARATION DE LA HOTTE

Installation du ventilateur intérieur

La hotte est livrée sans ventilateur. Procurez-vous le ventilateur intérieur modèle VIDV500 et installez-le dans la hotte comme suit :

1. Placez la hotte sur le dos sur une table ou une surface de travail droite.
2. Enlevez les 4 écrous et les 2 profilés.
3. Enlevez les 2 vis et le couvercle du moteur.
4. Placez soigneusement le ventilateur sous la bride inférieure de la hotte, la sortie de 8,3 x 25,4 cm (3-1/4 x 10 po) tournée dans la direction souhaitée.
5. Branchez la prise du moteur.
6. Remplacez le couvercle du moteur et les 2 vis à métal.
7. Remplacez les 2 profilés et engagez les 4 écrous, sans serrer.
8. Glissez le ventilateur à gauche ou à droite à la position souhaitée. Utilisez la plaque-couvercle (fournie) pour fermer toute ouverture inutile.
9. Serrez les 4 écrous pour fixer le dessus du ventilateur. Utilisez les vis supplémentaires (fournies) dans la bride inférieure pour fixer le bas du ventilateur.

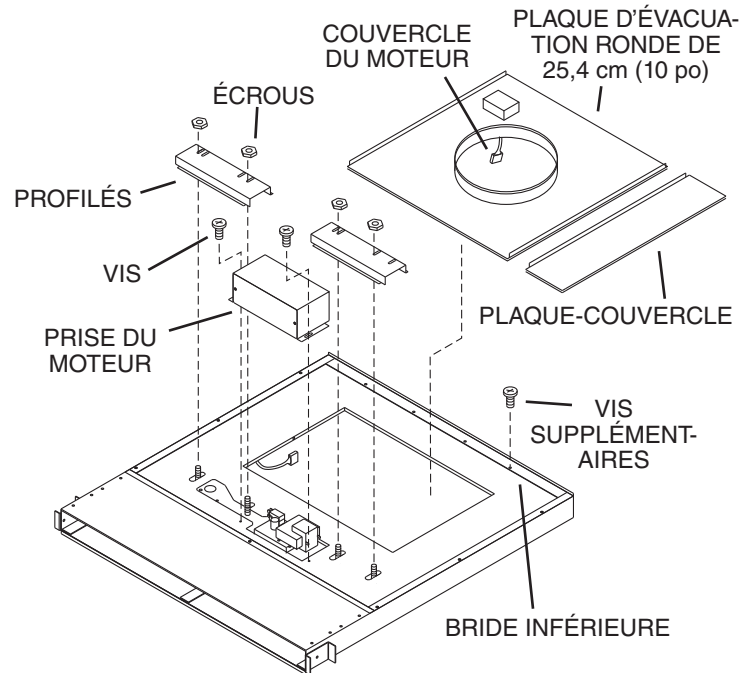


PRÉPARATION DE LA HOTTE

Installation du ventilateur extérieur

La hotte est livrée sans ventilateur. Procurez-vous le ventilateur extérieur modèle VEDV900 ou VEDV1200 et installez la **plaque d'évacuation de 25,4 cm (10 po)** dans la hotte comme suit :

1. Placez la hotte sur le dos sur une table ou une surface de travail droite.
2. Enlevez les **4 écrous** et les **2 profilés**.
3. Enlevez les **2 vis** et le **couvercle du moteur**.
4. Placez soigneusement la plaque d'évacuation de 25,4 cm (10 po) sous la **bride inférieure** de la hotte.
5. Branchez la **prise du moteur**.
6. Remplacez le couvercle du moteur et les 2 vis à métal.
7. Remplacez les 2 profilés et engagez les 4 écrous, sans serrer.
8. Glissez le ventilateur à gauche ou à droite à la position souhaitée. Utilisez la **plaque-couvercle** (fournie) pour fermer toute ouverture inutile.
9. Serrez les 4 écrous pour fixer le dessus du ventilateur. Utilisez les **vis supplémentaires** (fournies) Utilisez les **vis supplémentaires** (fournies) dans la bride inférieure pour fixer le bas de la plaque d'évacuation.



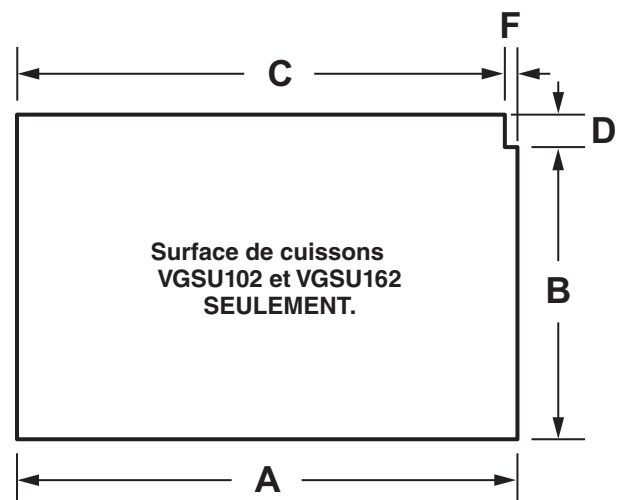
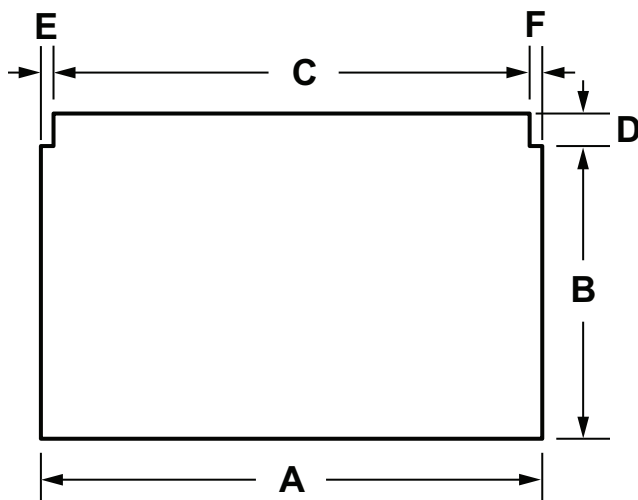
DÉCOUPAGE DU COMPTOIR

Tous les modèles

1. Mesurez et découpez l'ouverture du comptoir selon la largeur de la surface de cuisson et de la hotte.

Surface de cuisson largeur et modèle	76,2 cm (30 po) VECU	91,4 cm (36 po) VECU	76,2 cm (30 po) VGSU102	91,4 cm (36 po) VGSU162	121,1 cm (48 po) VGRT *	VGRT *	VGRT *
Pour usage avec ventilateurs encastrés modèles	VIPR102SS VIPR102RSS	VIPR162SS VIPR162RSS	VIPR102SS VIPR102RSS	VIPR162SS VIPR162RSS	VIPR102RSS	VIPR162RSS	VIPR182RSS
Dimensions de l'ouverture							
A	73 cm (28 ³ / ₄ po)	88,3 cm (34 ³ / ₄ po)	71,3 cm (28 ¹ / ₁₆ po)	87 cm (34 ¹ / ₄ po)	76,2 cm (30 po)	91,4 cm (36 po)	121,1 cm (48 po)
B	51,4 cm (20 ¹ / ₄ po)	51,4 cm (20 ¹ / ₄ po)	47,6 cm (18 ³ / ₄ po)	47,6 cm (18 ³ / ₄ po)	61 cm (24po)	61 cm (24po)	61 cm (24po)
C	68,6 cm (27po)	83,8 cm (33po)	68,6 cm (27po)	83,8 cm (33 po)	68,6 cm (27po)	83,8 cm (33po)	114,3 cm (45po)
D	5,7 cm (2 ¹ / ₄ po)	5,7 cm (2 ¹ / ₄ po)	7,6 cm (3 po)	7,6 cm (3 po)	7 cm (2 ³ / ₄ po)	7 cm (2 ³ / ₄ po)	7 cm (2 ³ / ₄ po)
E	2,2 cm (7/8 po)	2,2 cm (7/8 po)	---	---	3,8 cm (1 ¹ / ₂ po)	3,8 cm (1 ¹ / ₂ po)	3,8 cm (1 ¹ / ₂ po)
F	2,2 cm (7/8 po)	2,2 cm (7/8 po)	2,7 cm (1 ¹ / ₁₆ po)	3,2 cm (1 ¹ / ₄ po)	3,8 cm (1 ¹ / ₂ po)	3,8 cm (1 ¹ / ₂ po)	3,8 cm (1 ¹ / ₂ po)

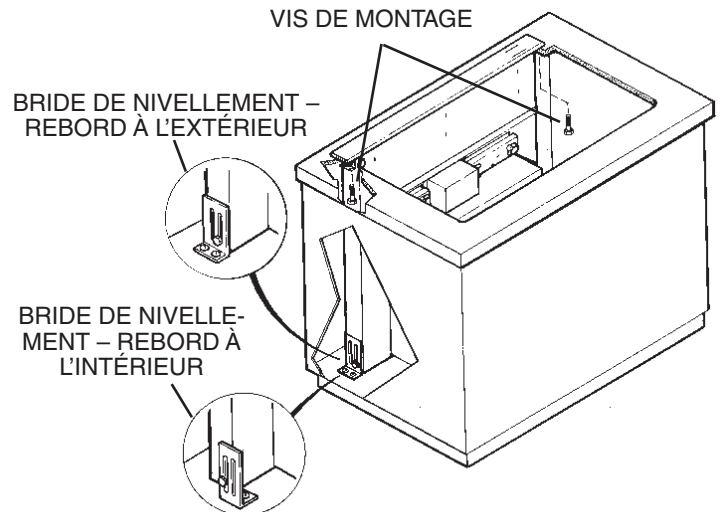
* Requier une mouleure d'ilot. La mouleure arrière du comptoir (fournie avec la mouleure d'ilot) sert dans ce type d'installation.



INSTALLATION DE L'UNITÉ

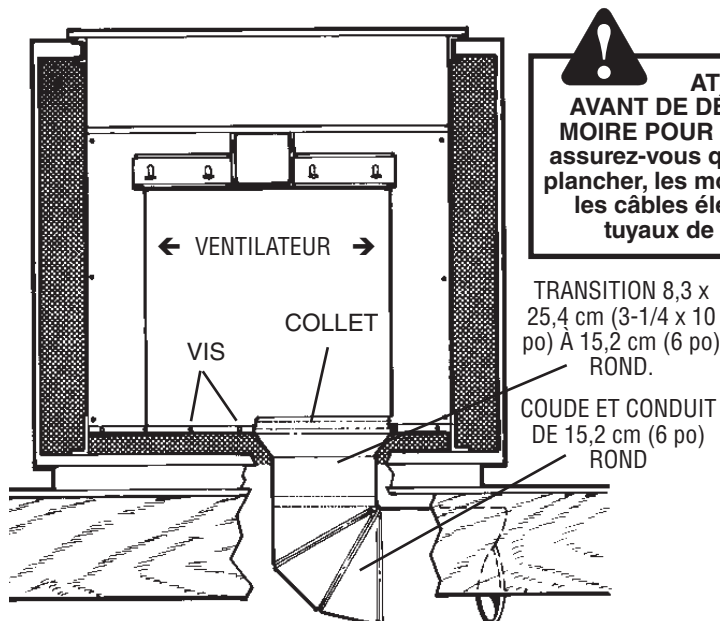
Tous les modèles

1. Placez la hotte dans l'ouverture. Allongez les **brides de nivellement** jusqu'au plancher de l'armoire afin que la hotte s'appuie bien droite. (Remarque : vous pouvez enlever les brides de nivellement et les fixer dans une autre position. La bride inférieure peut être retournée vers l'intérieur si les dimensions de l'armoire sont très justes.)
2. Fixez la hotte au comptoir comme suit : tenez la hotte contre l'arrière de l'ouverture du comptoir et serrez les deux **vis de montage** (à chaque bout de l'appareil) sous le comptoir. Utilisez une cale de bois entre la vis et le dessous des comptoirs de granite.
3. Vissez les **brides de nivellement** au plancher de l'armoire. Serrez les vis en maintenant la bride de chaque côté de l'unité.



INSTALLATION DES CONDUITS

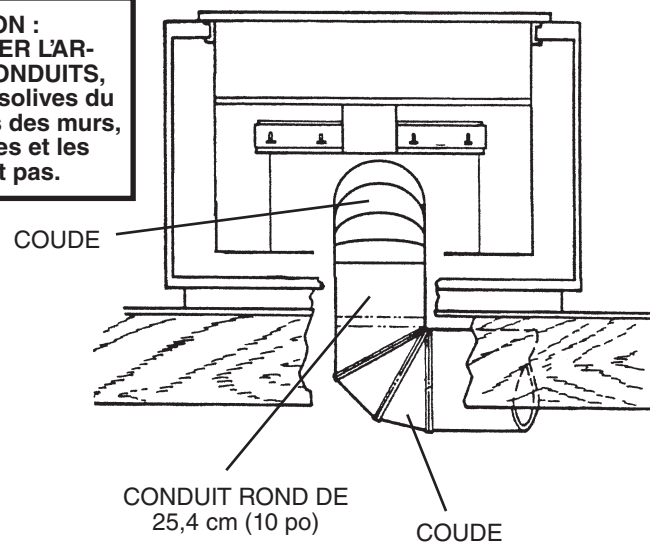
Installation du ventilateur intérieur



1. Découpez les trous dans l'armoire, le mur ou le plancher.
2. Installez le chapeau de toit ou de mur et travaillez en progressant vers l'armoire. Installez tous les **conduits, coudes et transitions** tel que prévu. Recouvrez tous les joints de ruban adhésif pour qu'ils soient parfaitement étanches.
3. Raccordez le **conduit** (et la transition, si nécessaire) à la hotte. Au besoin, **DESSERREZ** les écrous et les **vis** qui maintiennent le ventilateur, et **glissez-le** à gauche ou à droite pour l'aligner avec le conduit. Resserrez les vis et les écrous.

Remarque : Un **collet de 8,3 x 25,4 cm (3-1/4 x 10 po)** est offert aux installateurs qui préfèrent riveter les conduits à l'appareil. Cette pièce permet d'enlever le ventilateur et de le remonter facilement à des fins d'entretien sans déranger les conduits.

Installation du ventilateur extérieur



1. Découpez les trous dans l'armoire, le mur ou le plancher.
2. Installez le ventilateur extérieur et travaillez en progressant vers l'armoire. Installez tous les **conduits, coudes et transitions** tel que prévu. Recouvrez tous les joints de ruban adhésif pour qu'ils soient parfaitement étanches.
3. Raccordez le conduit à la hotte. Au besoin, **DESSERREZ** les écrous et les **vis** qui maintiennent la plaque d'adaptateur du ventilateur, et glissez-la à gauche ou à droite pour l'aligner avec le conduit. Resserrez les vis et les écrous.

CÂBLAGE ÉLECTRIQUE

Installation du ventilateur intérieur



ATTENTION : Le câblage doit être effectué par un électricien qualifié conformément aux codes et aux normes en vigueur.

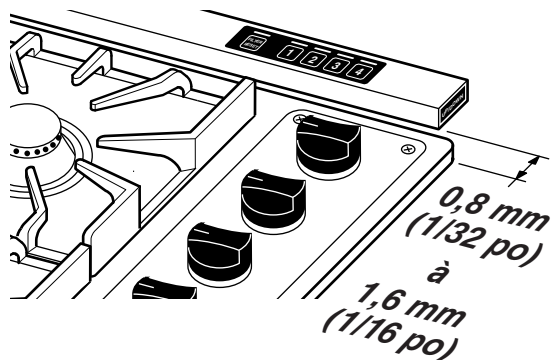
1. Installez une boîte électrique standard avec une prise à trois broches dans l'armoire. Vérifiez que le cordon électrique de la hotte puisse facilement l'atteindre.
2. Acheminez le câble d'alimentation jusqu'à l'armoire et raccordez-le à la prise.
3. Branchez le cordon électrique de la hotte dans la prise. Assurez-vous que le cordon est loin de la chaleur dégagée par la surface de cuisson.

INSTALLATION DE LA SURFACE DE CUISSON

Tous les modèles

1. Alignez la surface de cuisson avec la hotte et fixez-la en place.

Remarque : Il est nécessaire de bien aligner la cuisinière et la hotte afin d'éviter toute obstruction au moment de relever ou d'abaisser le conduit d'aération. Un jeu de 1 à 2 mm (1/32 - 1/16 po) est nécessaire entre l'arrière de la surface de cuisson et l'avant du couvercle de la hotte.

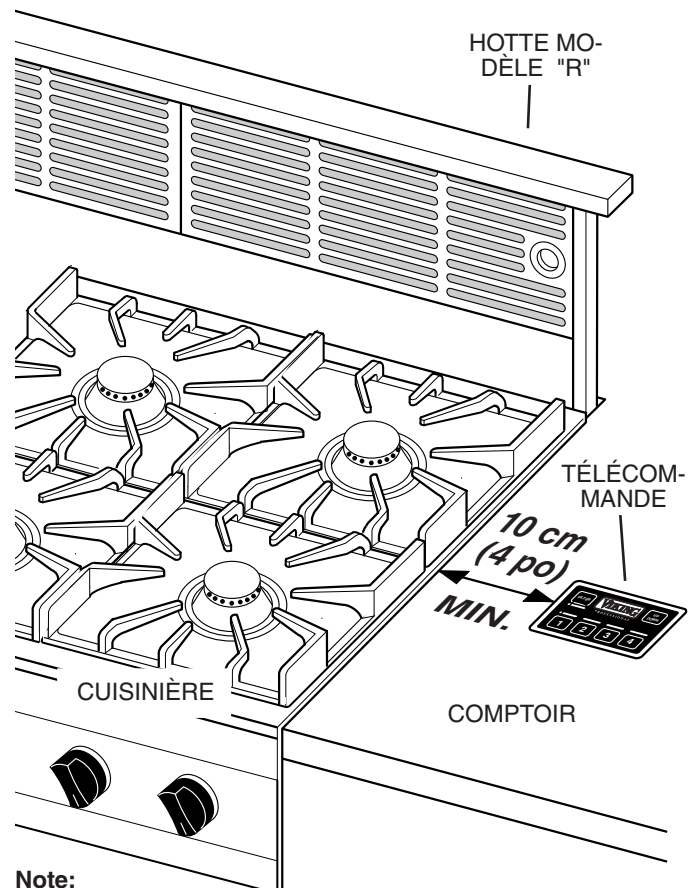


Installation du ventilateur extérieur



ATTENTION : Le câblage doit être effectué par un électricien qualifié conformément aux codes et aux normes en vigueur.

1. Installez une boîte électrique standard avec une prise à trois broches dans l'armoire. Vérifiez que le cordon électrique de la ventilateur encastré puisse facilement l'atteindre.
2. Acheminez le câble d'alimentation jusqu'à l'armoire et raccordez-le à la boîte électrique et à la prise.
3. Le ventilateur extérieur ne doit pas excéder un **courant nominal de 6,0 ampères**.
4. Acheminez un câble à deux brins et à fil de terre entre le ventilateur et la boîte électrique de la plaque d'évacuation de 25,4 cm (10 po) de diamètre.
5. Raccordez les fils de la hotte au câble d'alimentation du ventilateur. Raccordez le noir avec le noir, le blanc au blanc et le vert au vert ou au fil nu.
6. Refermez la boîte électrique.
7. Branchez le cordon électrique de la hotte dans la prise. Assurez-vous que le cordon est loin de la chaleur dégagée par la surface de cuisson.



Note:

Remarque : La cuisinière et la surface de cuisson de conception doit être utilisée avec une hotte de modèle "R" (à télécommande) – montée dans le comptoir à au moins 10 cm (4 po) des éléments ou brûleurs.

INSTALLATION DE LA TÉLÉCOMMANDE

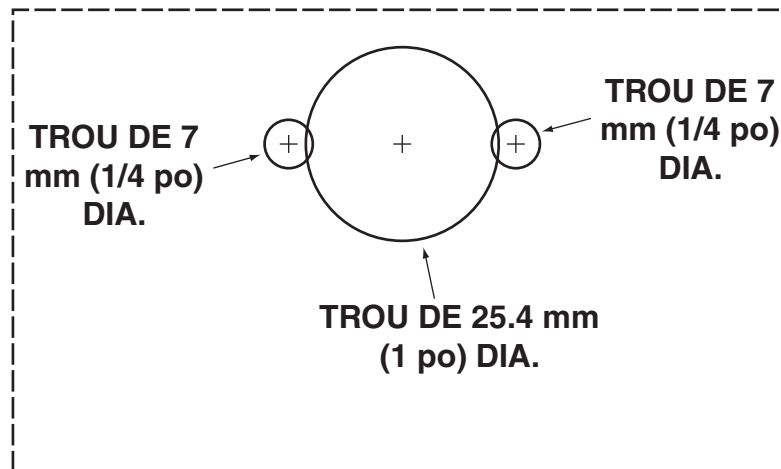


AVERTISSEMENT : Pour réduire les risques de brûlure ou que des vêtements s'enflamment en traversant les brûleurs, la télécommande doit être installée à au moins 10 cm (4 po) des brûleurs de la cuisinière.

Placez la télécommande à un endroit qui ne gênera pas la cuisson des aliments et évitez les endroits où un chaudron chaud pourrait être déposé ou des liquides chauds renversés.

1. À l'aide du gabarit ci-dessous, tracez les 3 trous sur le comptoir. Marquez les centres des trous à percer.
2. Percez soigneusement les trois trous dans le comptoir. Prenez garde de ne pas abîmer ni écailler la surface du comptoir.
3. Sortez la télécommande de son sachet de plastique. Enlevez le papier de l'adhésif à l'arrière de la télécommande, alignez-la avec les trois trous et placez-la parallèlement au comptoir. Appuyez fermement pendant 60 secondes.
4. Sortez les deux écrous en nylon du sachet de plastique et installez-les sur les goujons de la télécommande en dessous du comptoir. **Serrez à la main seulement.** Les écrous à oreilles doivent être bien appuyés, mais seulement à la main, et ne servent qu'à maintenir la télécommande jusqu'à ce que l'adhésif soit sec.
5. Sortez le câble du sachet et branchez-le à l'arrière de la télécommande sous le comptoir. Acheminez le câble dans l'armoire jusqu'au coin inférieur droit de la hotte. Branchez l'autre extrémité du câble dans la hotte. (La prise de la hotte est située dans le coin inférieur droit.)
6. Tassez l'excédant de câble de côté et fixez-le afin d'éviter qu'il ne soit abîmé par les objets rangés dans l'armoire.

BORD DU COMPTOIR



DÉCOUPER LE POINTILLÉ

Cette page a été laissée
en blanc volontairement.

ARRIÈRE DU GABARIT DE
LA TÉLÉCOMMANDE

FONCTIONNEMENT

HAUT/BAS --- Relève ou abaisse le conduit d'aération. Met le ventilateur en MARCHÉ lorsque le conduit est RELEVÉ et ARRÊTE le ventilateur lorsque le conduit est ABAISSÉ.

Remarque : Le bouton HAUT/BAS (UP/DOWN) des modèles VIPR102SS, VIPR162SS et VIPR182SS est situé à droite de la télécommande.

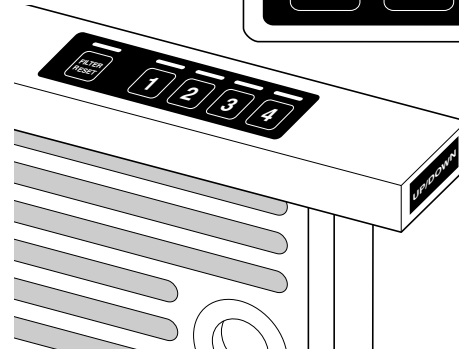
DÉLAI ----- Actionne le ventilateur pendant 10 minutes une fois que l'on a appuyé sur le bouton. Le délai est également activé en appuyant deux fois sur n'importe quelle touche de commande de vitesse. Le ventilateur fonctionne pendant 10 minutes – puis S'ARRÊTE. *LE CONDUIT D'AÉRATION NE S'ABAISSE PAS.* Vous devez appuyer sur HAUT/BAS (UP/DOWN) pour abaisser le conduit. Lorsque le DÉLAI est activé, le témoin lumineux de vitesse clignote.

VITESSES DU VENTILATEUR Le ventilateur comporte 4 réglages de vitesse différents. Appuyez UNE FOIS pour mettre le ventilateur en MARCHÉ à la vitesse désirée. Appuyez ENCORE sur le bouton pour ARRÊTER le ventilateur.

LUMIÈRE DE FILTRE ----- Elle S'ALLUME après 30 heures de fonctionnement pour vous rappeler de nettoyer les filtres. Appuyez sur le bouton pour la remettre à zéro.

Tous les modèles

**TÉLÉCOMMANDE
DES MODÈLES
VIPR102RSS
VIPR162RSS
VIPR182RSS**



**COMMANDE DES
MODÈLES
VIPR102SS
VIPR162SS
VIPR182SS**

UTILISATION ET ENTRETIEN

Actionnez toujours la hotte encastrée avant de commencer à cuisiner afin de créer un courant d'air dans la cuisine. Laissez aussi fonctionner la hotte quelques minutes pour purifier l'air après avoir éteint la cuisinière. Votre cuisine n'en sera que plus propre et étincelante. Lorsque vous appuyez sur le bouton de mise en marche, le conduit d'aération s'élève.

Nettoyage

Nettoyez les surfaces peintes avec un détergent doux. NE PAS UTILISER D'ABRASIF, DE LAINE D'ACIER NI DE POUDRES À RÉCURIER. Nettoyez la soufflerie avec un aspirateur. Ne plongez pas la soufflerie dans l'eau.

Tous les modèles



AVERTISSEMENT : Coupez toujours le courant avant de nettoyer ou d'entretenir l'appareil.

Lavez les deux filtres d'aluminium/acier inoxydable dans une solution de détergent doux ou au lave-vaisselle. Retirez-les du conduit d'aération en tirant sur la languette située en haut des filtres.

Entretien/réparation

Il peut s'avérer nécessaire d'enlever la hotte encastrée de l'armoire pour entretenir ou réparer certaines pièces, telles que le moteur du ventilateur ou le mécanisme du conduit d'aération. Débranchez d'abord la surface de cuisson et enlevez celle-ci. Suivez les étapes inverses du « MONTAGE DE L'APPAREIL » pour enlever la hotte de l'armoire.

GARANTIE DES HOTTES ENCASTRÉES DE SÉRIE PROFESSIONNELLE

GARANTIE COMPLÈTE D'UN AN

Les ventilateurs encastrés, ainsi que toutes leurs pièces et accessoires, à l'exception des articles indiqués ci-dessous*, sont garantis contre tout défaut de matériau ou de fabrication lors d'une utilisation normale dans un foyer pendant une période de douze (12) mois à compter de la date d'achat originale. Viking Range Corporation, le garant, accepte de réparer ou de remplacer, à son choix, toute pièce s'avérant défectueuse pendant la période de garantie. Aux fins de cette garantie, une utilisation normale dans un foyer **n'inclut pas** l'utilisation de ce ventilateur de hotte avec une surface de cuisson munie d'un gril. La garantie Viking ne s'applique pas aux produits de ventilation d'appoint, non fournis par Viking, utilisés avec des ensembles de tirage vers le bas ou de ventilateur Viking. La présente garantie inclue, mais non de manière limitative, des appareils comme des ventilateurs auxiliaires ou des ventilateurs en ligne. Toute défaillance des produits de ventilation Viking directement attribuable à l'utilisation de tels équipements n'est pas couverte par la garantie Viking.

Les pièces peintes et décoratives sont garanties contre tout défaut de matériau ou de fabrication pour une période de quatre-vingt-dix (90) jours à compter de la date d'achat originale. **TOUT DÉFAUT DOIT ÊTRE SIGNALÉ AU DÉTAILLANT DANS CETTE PÉRIODE DE QUATRE-VINGT-DIX (90) JOURS À COMPTER DE LA DATE D'ACHAT ORIGINALE.**

GARANTIE LIMITÉE DE CINQ ANS

Tout moteur de ventilateur qui s'avère défectueux en raison d'un défaut de matériau ou de fabrication lors d'une utilisation normale dans un foyer à compter de la deuxième année à la cinquième année suivant la date d'achat originale sera réparé ou remplacé, gratuitement pour les pièces, et le propriétaire assumant tous les autres frais, y compris ceux de main-d'œuvre.

Cette garantie s'adresse à l'acheteur original du produit ci-présent garanti et à ses propriétaires successifs pendant le terme de cette garantie.

Cette garantie s'applique aux produits achetés et installés aux États-Unis et au Canada. Les produits doivent avoir été achetés dans le pays ou la réparation est requise. Les travaux couverts par cette garantie doivent être effectués par une agence de réparation ou un représentant agréé de Viking Range Corporation. Cette garantie ne s'applique pas aux dommages découlant d'un abus, accident, désastre naturel, panne d'alimentation électrique du produit pour quelque raison que ce soit, ni modification, utilisation à l'extérieur, installation inadéquate, utilisation inadéquate, réparation ou entretien inadéquats du produit par quiconque autre qu'une agence de réparation ou un représentant agréé de Viking Range Corporation. Cette garantie ne s'applique pas aux utilisations commerciales. Le garant décline toute responsabilité quant aux dommages indirects ou consécutifs pouvant découler ou non de l'inobservation d'une garantie, de la violation d'un contrat ou de toute autre cause. Certaines juridictions interdisant l'exclusion ou la limitation des dommages indirects ou consécutifs, il se peut que la limitation ou l'exclusion ci-dessus ne s'applique pas à vous.

Le propriétaire a la responsabilité d'installer et d'entretenir correctement le produit, de présenter sa facture sur demande, et de veiller à ce que l'appareil soit suffisamment accessible pour être réparé. S'il s'avère que le produit ou certaines de ses pièces présentent une déféctuosité ou un mauvais fonctionnement pendant la période de garantie, et que le garant, après un nombre raisonnable de tentatives de réparation ne parvient pas à corriger la déféctuosité, le propriétaire a alors droit au remboursement ou au remplacement du produit ou desdites pièces. Le remplacement des pièces s'effectuera sans frais d'installation. La responsabilité du garant, quelle que soit la réclamation relative aux biens ou aux services couverts par la présente, ne saurait dépasser le prix des biens, services ou pièces faisant l'objet de la réclamation.

GARANTIE DE RÉPARATION : Selon les conditions de cette garantie, les réparations doivent être exécutées par une agence ou un représentant agréé de Viking Range Corporation. Les réparations s'effectueront pendant les heures d'affaires normales, et les travaux exécutés en heures supplémentaires ou à un taux majoré ne seront pas couverts par cette garantie. Pour obtenir une réparation sous garantie, contactez le détaillant chez qui vous avez acheté ce produit, une agence de réparation agréée de Viking Range Corporation ou Viking Range Corporation. Précisez le modèle et le numéro de série du produit ainsi que la date originale de votre achat. Pour obtenir le nom de l'agence de réparation agréée de Viking Range Corporation la plus proche, appelez le détaillant chez qui vous avez acheté ce produit ou contactez Viking Range Corporation.

IMPORTANT : Veuillez conserver votre facture afin de pouvoir établir la période de garantie.

Le fait de nous renvoyer la Carte d'enregistrement du propriétaire ne constitue pas une condition pour être couvert par la garantie. Toutefois, vous devez nous renvoyer cette carte afin que Viking Range Corporation puisse vous contacter pour toute question relative à la sécurité et pouvant vous concerner.

Les garanties implicites de valeur marchande et d'adéquation à un usage particulier concernant le moteur de ventilateur décrit ci-dessus sont limitées à la période de couverture des garanties expresses et limitées, telles que stipulées par écrit ci-dessus. Certaines juridictions interdisant de limiter la durée d'une garantie implicite, il se peut que la limitation ci-dessus ne s'applique pas à vous. Cette garantie vous accorde des droits spécifiques auxquels peuvent s'ajouter d'autres droits variant d'une juridiction à l'autre.

VIKING RANGE CORPORATION
111 Front Street
Greenwood, Mississippi 38930 USA
(662) 455-1200

Caractéristiques techniques sous réserve de changement sans préavis.

Pour de plus amples informations sur le produit, appelez au 1-888-VIKING1 (845-4641), ou visitez le site Web Viking à <http://www.vikingrange.com>

MODELO	ANCHO
VIPR102	30 pulg. (76.2 cm)
VIPR102R	30 pulg. (76.2 cm) c/control remoto
VIPR162	36 pulg. (91.4 cm)
VIPR162R	36 pulg. (91.4 cm) c/control remoto
VIPR182	48 pulg. (122 cm)
VIPR182R	48 pulg. (122 cm) c/control remoto

VENTILADOR (comprado por separado)
 VIDV500 de montaje interior o VEDV900 de montaje exterior
 VIDV500 de montaje interior o VEDV900 de montaje exterior
 VIDV500 de montaje interior o VEDV900 de montaje exterior
 VIDV500 de montaje interior o VEDV900 de montaje exterior
 VIDV500 de montaje interior o VEDV900 de montaje exterior o
 VEDV1200 de montaje exterior
 VIDV500 de montaje interior o VEDV900 de montaje exterior o
 VEDV1200 de montaje exterior



ADVERTENCIA - SÓLO PARA ESTUFAS: Para reducir el riesgo de quemaduras o incendio de la ropa por tener contacto a través de los quemadores, con una estufa se **DEBE** usar el modelo "R" de tiro descendente (con control remoto). El control remoto **DEBE** montarse en el gabinete, por lo menos a 4 pulg. (10 cm) de los quemadores. Consulte la sección "INSTALE LA ESTUFA" en la página 32.

LEA Y GUARDE ESTAS INSTRUCCIONES



INDICADO SOLAMENTE PARA COCINAR EN CASA



ADVERTENCIA



PARA REDUCIR EL RIESGO DE INCENDIOS, DESCARGAS ELÉCTRICAS O LESIONES PERSONALES, OBSERVE LAS SIGUIENTES PRECAUCIONES:

1. Use la unidad sólo de la manera indicada por el fabricante. Si tiene preguntas, comuníquese con el fabricante a la dirección o al número telefónico que se incluye en la garantía.
2. Antes de dar servicio a la unidad o de limpiarla, interrumpa el suministro eléctrico en el panel de servicio y bloquee los medios de desconexión del servicio para evitar que la electricidad se reanude accidentalmente. Cuando no sea posible bloquear los medios de desconexión del servicio, fije firmemente una señal de advertencia (como una etiqueta) en un lugar visible del panel de servicio.
3. Una o más personas calificadas deben realizar el trabajo de instalación y el cableado eléctrico, de acuerdo con todos los códigos y las normas correspondientes, incluidos los códigos y las normas de construcción específicos de protección contra incendios.
4. Se necesita suficiente aire para que se lleve a cabo la combustión y la extracción adecuadas de los gases a través del tubo de humos (chimenea) del equipo quemador de combustible, con el fin de evitar el contratiro. Siga las directrices y las normas de seguridad del fabricante del equipo de calefacción, como las publicadas por la Asociación Nacional de Protección contra Incendios (National Fire Protection Association, NFPA), la Sociedad Americana de Ingenieros de Calefacción, Refrigeración y Aire Acondicionado (American Society for Heating, Refrigeration and Air Conditioning Engineers, ASHRAE) y las autoridades normativas locales.
5. Al cortar o perforar a través de la pared o del techo, tenga cuidado de no dañar el cableado eléctrico ni otros servicios ocultos.
6. Los ventiladores en conductos siempre deben ventearse hacia el exterior.
7. Para reducir el riesgo de incendio, use solamente conductos metálicos.
8. No instale este producto con el interruptor de activación directamente detrás de un quemador o elemento. La distancia mínima entre el interruptor y el borde del quemador debe ser de 4 pulgadas.
9. Cuando se opere este electrodoméstico nunca se debe usar ropa holgada o colgante. Este tipo de ropa se puede incendiar con los quemadores o elementos de la estufa.
10. No se deben dejar niños solos o desatendidos en el área en la que se usa este electrodoméstico.
11. Esta unidad debe conectarse a tierra.

PARA REDUCIR EL RIESGO DE UN INCENDIO PRODUCIDO POR GRASA EN UNA ESTUFA:

- a) Nunca deje desatendidas las unidades de la superficie cuando estén en ajustes altos de calor. Los alimentos en ebullición provocan derrames grasosos y con humo que se pueden incendiar. Caliente el aceite lentamente en ajustes de calor bajo o medio.
- b) Siempre ENCIENDA la campana cuando cocine a calor alto o cuando cocine alimentos inflamables.
- c) Limpie frecuentemente los ventiladores. No permita la acumulación de grasa en el ventilador ni en el filtro.
- d) Use una cacerola del tamaño adecuado. Siempre use utensilios de cocina que sean apropiados para el tamaño del elemento de la superficie.

ADVERTENCIA



PARA REDUCIR EL RIESGO DE LESIONES A PERSONAS EN CASO DE UN INCENDIO PRODUCIDO POR GRASA EN UNA ESTUFA, OBSERVE LO SIGUIENTE^a:

1. APAGUE LAS LLAMAS con una tapa de ajuste exacto, una charola para galletas o una bandeja de metal, y después apague el quemador. PROCEDA CON CUIDADO PARA EVITAR QUEMADURAS. Si las llamas no se apagan inmediatamente, EVACUE EL ÁREA Y LLAME A LOS BOMBEROS.
2. NUNCA LEVANTE UNA CACEROLA INCENDIADA porque podría ocasionarle quemaduras.
3. NO USE AGUA, incluidos trapos o toallas de cocina mojados; puede producirse una explosión violenta de vapor.
4. Use un extintor SÓLO si:
 - A. Sabe que tiene un extintor clase ABC, y ya sabe cómo usarlo.
 - B. El incendio es pequeño y está confinado en el área en la que se inició.
 - C. Se está llamando al Departamento de Bomberos.
 - D. Puede combatir el incendio teniendo la espalda orientada hacia una salida.

^a Basado en "Kitchen Firesafety Tips" (Sugerencias para la seguridad contra incendios en la cocina) publicado por NFPA.

PRECAUCIÓN



1. Sólo para usarse como medio de ventilación general. No debe usarse para la extracción de materiales ni vapores peligrosos o explosivos.
2. Para evitar daños a los cojinetes del motor y rotores ruidosos o desbalanceados, mantenga la unidad de potencia protegida contra rocios de yeso, polvos de construcción, etc.
3. Limpie frecuentemente los filtros y las superficies con grasa.
4. No repare ni reemplace ninguna pieza de este electrodoméstico a menos que así se recomiende específicamente en este manual. Todas las demás operaciones de servicio las debe realizar un técnico calificado.
5. Lea la etiqueta de especificaciones que tiene el producto para ver información y requisitos adicionales.
6. NO INSTALE CON MODELOS DE ESTUFA CON PARRILLA. Esto anulará la garantía.
7. **Modelos VIPR102SS, VIPR162SS y VIPR182SS (unidades no remotas):** NO INSTALE CON ESTUFAS. Esto anulará la garantía.

INSTALADOR:

Conservar este manual para que lo use el inspector eléctrico y el propietario.

DUEÑO DE LA CASA:

Las instrucciones de uso y limpieza se encuentran en la página 35.

PLANEACIÓN

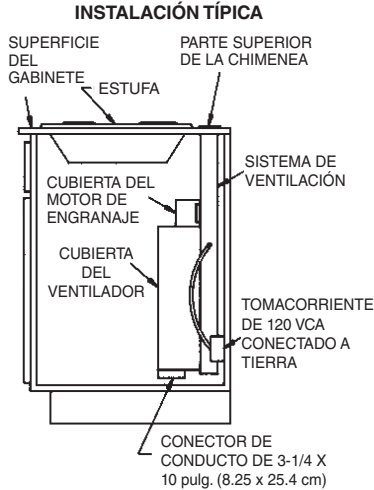
Instalación del ventilador interior

El sistema de ventilación de tiro descendente está diseñado para extraer los contaminantes suspendidos en el aire cuando se cocina con diversas estufas de gas o eléctricas. Puede montarse en una isla, una península o en sitios de pared convencionales.

Esta unidad se puede instalar fácilmente siguiendo estos pasos básicos:

- Haga la abertura en la superficie del gabinete.
- Monte la unidad en el gabinete.
- Instale el ventilador interior modelo VIDV500.
- Conecte los conductos y el sistema eléctrico.
- Instale la estufa.

Nota: El flujo de aire de alto nivel de este electrodoméstico puede afectar la llama de gas en algunos tipos de estufas de gas. Esto es NORMAL y no causará daño, pero se puede corregir reduciendo la velocidad del ventilador.



ESPECIFICACIONES ELÉCTRICAS
120 VCA • 60 Hz • 4.0 A

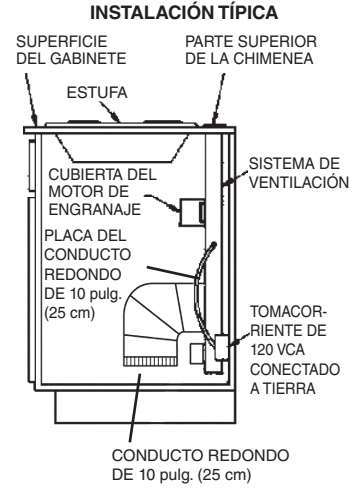
Instalación del ventilador exterior

El sistema de ventilación de tiro descendente está diseñado para extraer los contaminantes suspendidos en el aire cuando se cocina con diversas estufas de gas o eléctricas. Puede montarse en una isla, una península o en sitios de pared convencionales.

Esta unidad se puede instalar fácilmente siguiendo estos pasos básicos:

- Monte la unidad en el gabinete.
- Instale la placa de descarga redonda de 10 pulg. (25 cm)
- Instale el ventilador exterior modelo VEDV900 o VEDV1200 (sólo el modelo de 48 pulg. [120 cm])
- Conecte los conductos y el sistema eléctrico.
- Instale la estufa.

Nota: El flujo de aire de alto nivel de este electrodoméstico puede afectar la llama de gas en algunos tipos de estufas de gas. Esto es NORMAL y no causará daño, pero se puede corregir reduciendo la velocidad del ventilador.



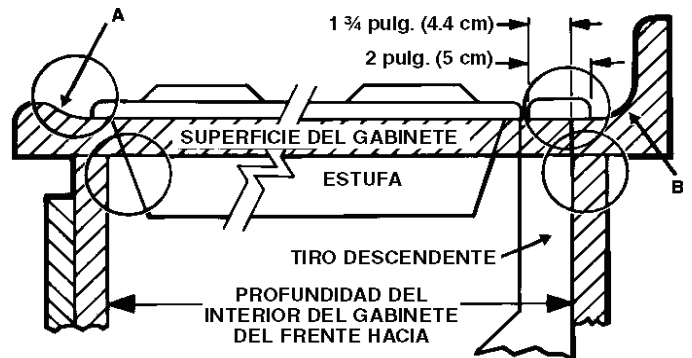
ESPECIFICACIONES ELÉCTRICAS
120 VCA • 60 Hz • 6.0 A (máx.)

TOME MEDIDAS

Todas las unidades

1. Consulte las instrucciones de instalación de la estufa para ver las dimensiones de la estufa, la abertura en la superficie del gabinete y los requerimientos del gabinete. Los modelos VIPR102SS y VIPR102RSS ajustarán en la mayoría de los gabinetes de 30 pulg. (76 cm) de ancho; los modelos VIPR162SS y VIPR162RSS ajustarán en la mayoría de los gabinetes de 36 pulg. (90 cm) de ancho, y los modelos VIPR182SS y VIPR182RSS ajustarán en la mayoría de los gabinetes de 48 pulg. (120 cm) de ancho. Sin embargo, se recomienda usar gabinetes de mayor tamaño para facilitar la instalación.
2. La profundidad de las diferentes estufas varía mucho. Esto puede ocasionar que estos dos electrodomésticos queden muy ajustados.

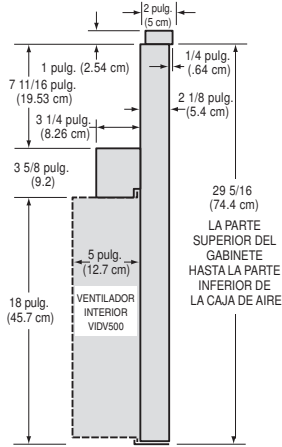
Preste atención especial a las áreas de posible interferencia que se indicaron anteriormente. Es posible que un gabinete que tenga (A) un reborde elevado o (B) un protector contra salpicaduras no tenga suficiente superficie plana para realizar una instalación adecuada. Note que el gabinete necesita tener una superficie plana de 2 pulg. (5 cm) detrás de la estufa, y que se requiere una distancia de 1-3/4 pulg. (4.4 cm) entre el borde posterior de la estufa y el interior de la parte posterior del gabinete.



TOME MEDIDAS (CONTINUACIÓN)

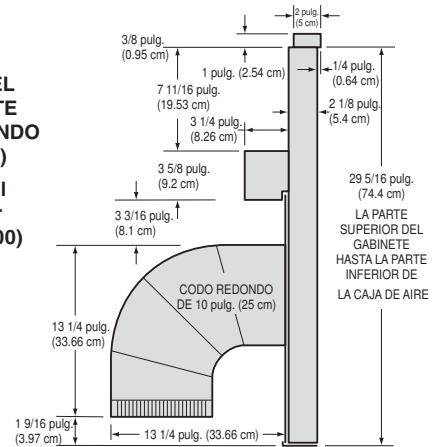
Instalación del ventilador interior

VISTA LATERAL DEL TIRO DESCENDENTE CON EL VENTILADOR INTERIOR VIDV500



Instalación del ventilador exterior

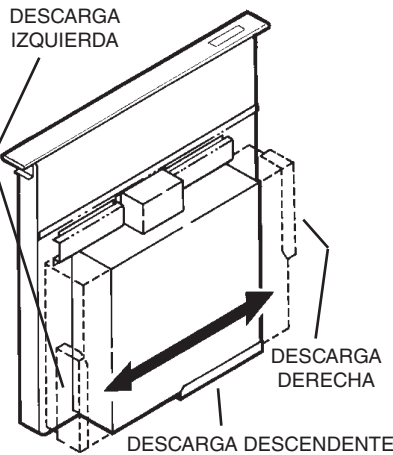
VISTA LATERAL DEL TIRO DESCENDENTE CON EL CODO REDONDO DE 10 pulg. (25 cm) (para conectarse al ventilador exterior VEDV900 o VEDV1200)



PLANEE LOS CONDUCTOS

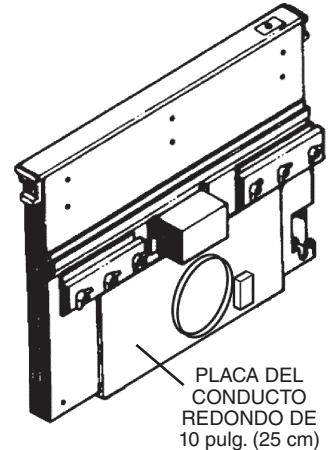
Instalación del ventilador interior

- El sistema de ventilación de tiro descendente interior está diseñado para usarse con conductos de 3-1/4 x 10 pulg. (8.26x25 cm) (puede hacerse una transición a un conducto redondo de 6 pulg. [15.24 cm]). Están disponibles tres direcciones diferentes de descarga con ajuste de lado a lado para la alineación adecuada de los conductos.
- Para obtener el mejor rendimiento: Seleccione el sistema de conductos de la longitud más corta y un número mínimo de codos y transiciones. Revise el área de la instalación para asegurarse de que no haya interferencia con vigas del piso, montantes de la pared, cableado eléctrico o tuberías.



Instalación del ventilador exterior

- El sistema de ventilador exterior de tiro descendente está diseñado para usarse con el conducto redondo de 10 pulg. (25 cm).
- Para obtener el mejor desempeño: Planifique los conductos que tengan la longitud más corta y una cantidad mínima de codos. Revise el área de la instalación para asegurarse de que no haya interferencia con vigas del piso, montantes de la pared, cableado eléctrico o tuberías.



<p>CODO REDONDO DE 6 pulg. (15.24 cm)</p> <p>EQUIVALE A 6 PIES (1.8 m) DE CONDUCTO RECTO</p>	<p>TRANSICIÓN REDONDA DE 3-1/4 X 10 pulg. (8.2 x 25 cm) A 6 pulg. (15.2 cm)</p> <p>EQUIVALE A 2 PIES (60 cm) DE CONDUCTO RECTO</p>	<p>CODO DE 90° DE 3-1/4 X 10 pulg. (8.2 x 25 cm)</p> <p>EQUIVALE A 8 PIES (2.4 m) DE CONDUCTO RECTO</p>
--	--	---

CODO REDONDO DE 10 pulg. (25 cm) EQUIVALE A 6 PIES (1.8 m) DE CONDUCTO RECTO

- El sistema funcionará de manera más eficiente cuando los conductos no excedan el equivalente a 40 pies (12 m) de longitud. La ilustración de arriba muestra la longitud equivalente en pies de un codo redondo de 10 pulg. (25 cm). El número de pies de conducto recto más la longitud equivalente en pies de codos a utilizar debe ser de 40 pies (12 m) o menos.

NOTA: Se ha tomado en consideración la longitud equivalente en pies de varias tapas de techo y pared. No las incluya en este cálculo.

NOTA: Se ha tomado en consideración la longitud equivalente en pies de varias tapas de techo y pared. No las incluya en este cálculo.

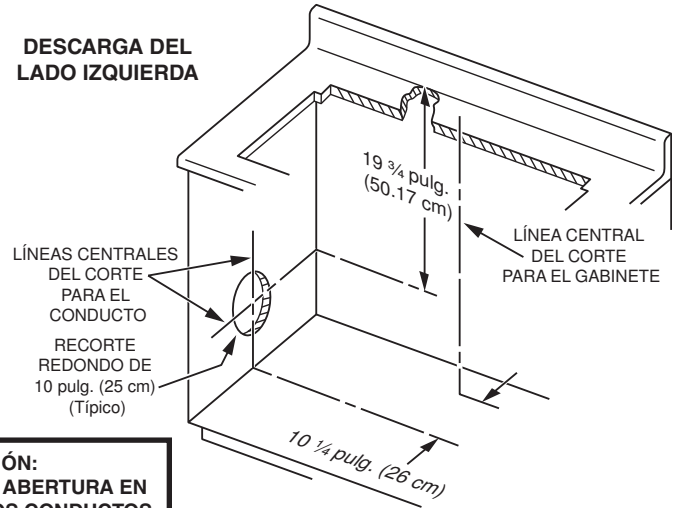
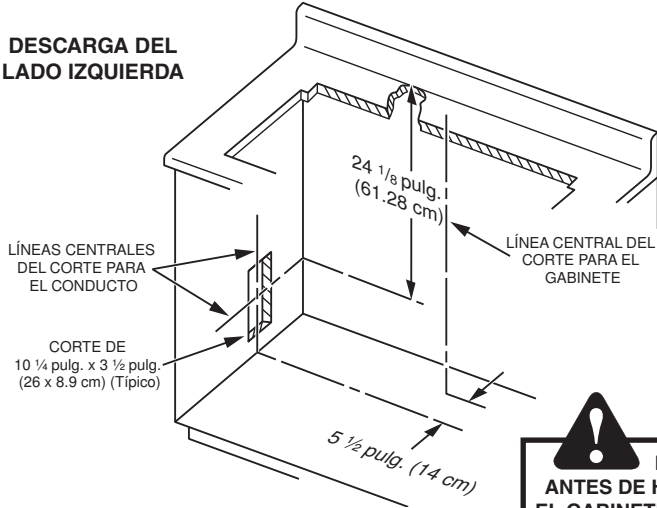
PLANEE LOS CORTES DEL GABINETE

Instalación del ventilador interior

Instalación del ventilador exterior

DESCARGA DEL LADO IZQUIERDA

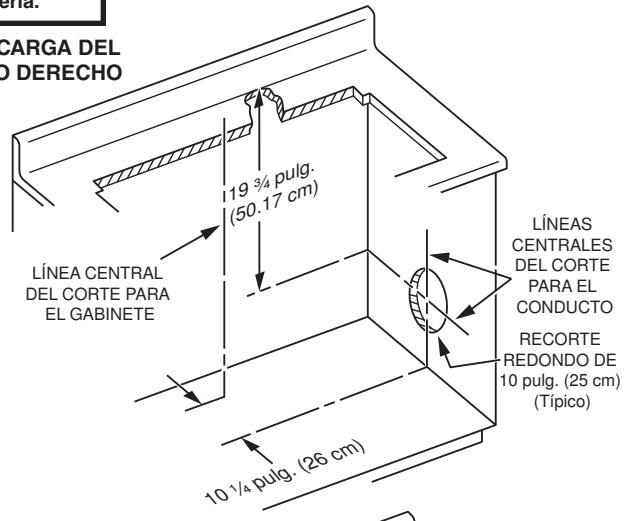
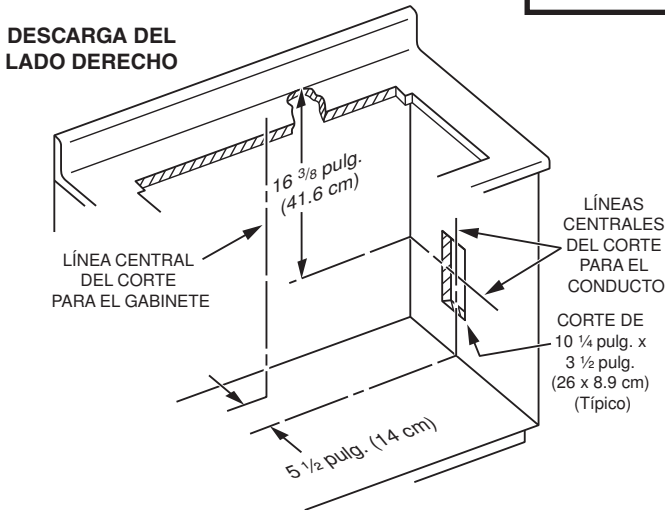
DESCARGA DEL LADO IZQUIERDA



PRECAUCIÓN:
ANTES DE HACER LA ABERTURA EN EL GABINETE PARA LOS CONDUCTOS,
revise que no exista interferencia con vigas del piso, montantes de la pared, cableado eléctrico ni tubería.

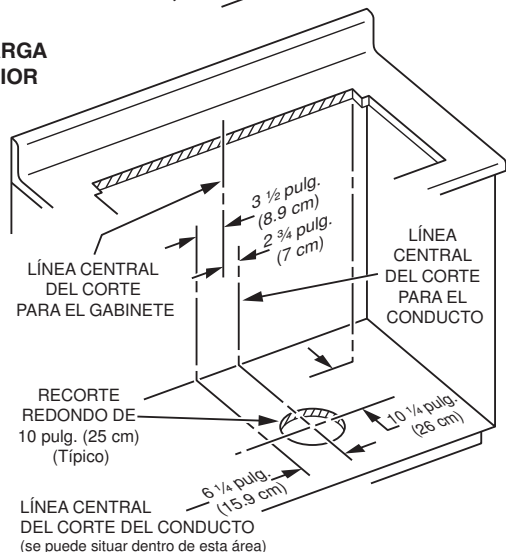
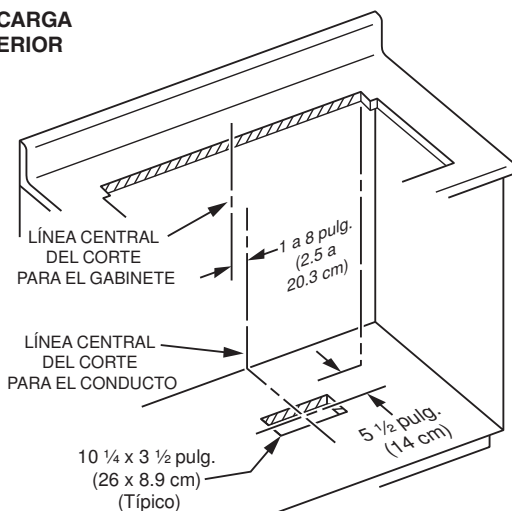
DESCARGA DEL LADO DERECHO

DESCARGA DEL LADO DERECHO



DESCARGA INFERIOR

DESCARGA INFERIOR



PLAÑEE EL CABLEADO ELÉCTRICO

Instalación del ventilador interior

1. El sistema de ventilación de tiro descendente interior requiere 4 amperios y un circuito de 120 VCA y 60 Hz.
2. El tiro descendente tiene un cable eléctrico de 2 pies (60 cm) con una clavija de tres patas. Planee colocar un tomacorriente con conexión a tierra en un lugar que el cable de alimentación de la unidad pueda alcanzar.

IMPORTANTE - UBICACIÓN DEL TOMACORRIENTE ELÉCTRICO:

Si los modelos VIPR102SS o VIPR102RSS se van a instalar en un gabinete de 30 pulg. (75 cm) de ancho...

o si los modelos VIPR162SS o VIPR162RSS se van a instalar en un gabinete de 36 pulg. (90 cm) de ancho...

o si los modelos VIPR182SS o VIPR182RSS se van a instalar en un gabinete de 48 pulg. (120 cm) de ancho...

... el tomacorriente no puede estar en la pared posterior del mueble.

En estos casos, la anchura del tiro descendente cubre casi la totalidad de la anchura de la pared posterior del mueble. Usted debe:

- montar la caja eléctrica en una pared lateral o piso del gabinete, por lo menos a 12 pulg. (30 cm) de la pared posterior.
- montar la caja eléctrica al montante de la pared que está detrás del gabinete, en donde no quedará cubierto por el tiro descendente. Luego realice un orificio de separación en la pared posterior del gabinete.

Instalación del ventilador exterior

1. El sistema de ventilación de tiro descendente exterior requiere 6 amperios y un circuito de 120 VCA y 60 Hz.
2. La unidad tiene un cable eléctrico de 2 pies (60 cm) con una clavija de tres patas. Planee colocar un tomacorriente con conexión a tierra en un lugar que el cable de alimentación de la unidad pueda alcanzar.

IMPORTANTE - UBICACIÓN DEL TOMACORRIENTE ELÉCTRICO:

Si los modelos VIPR102SS o VIPR102RSS se van a instalar en un gabinete de 30 pulg. (75 cm) de ancho...

o si los modelos VIPR162SS o VIPR162RSS se van a instalar en un gabinete de 36 pulg. (90 cm) de ancho...

o si los modelos VIPR182SS o VIPR182RSS se van a instalar en un gabinete de 48 pulg. (120 cm) de ancho...

... el tomacorriente no puede estar en la pared posterior del mueble.

En estos casos, la anchura del tiro descendente cubre casi la totalidad de la anchura de la pared posterior del mueble. Usted debe:

- montar la caja eléctrica en una pared lateral o piso del gabinete, por lo menos a 12 pulg. (30 cm) de la pared posterior.
- montar la caja eléctrica al montante de la pared que está detrás del gabinete, en donde no quedará cubierto por el tiro descendente. Luego realice un orificio de separación en la pared posterior del gabinete.

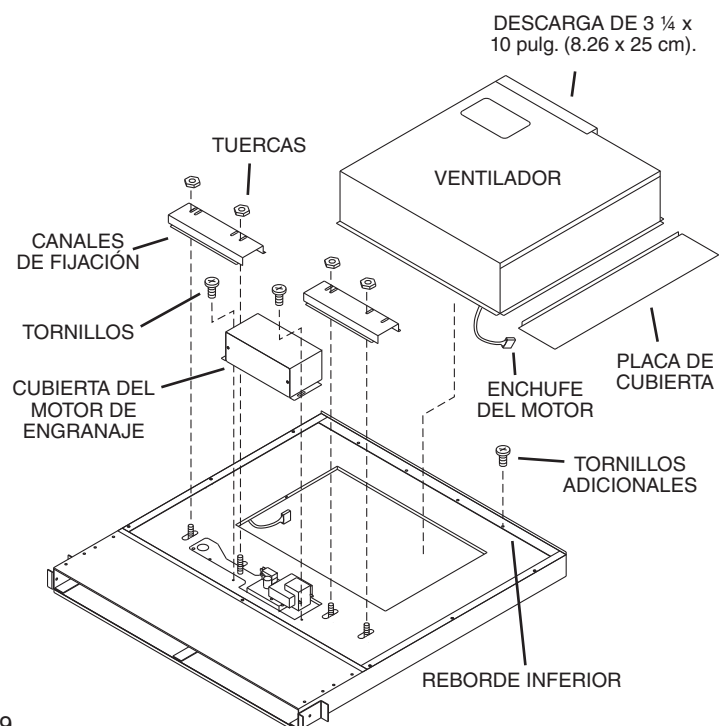
TOME EN CUENTA LO SIGUIENTE: Los ventiladores externos deben cablearse con cable suministrado a nivel local y conectarse al enchufe del tiro descendente (incluido).

PREPARE EL TIRO DESCENDENTE

Instalación del ventilador interior

El tiro descendente se envía sin ventilador. Compre un ventilador interior modelo VIDV500 y móntelo en el tiro descendente, como sigue:

1. Coloque el tiro descendente sobre su parte posterior en una mesa o una superficie de trabajo plana.
2. Quite las 4 tuercas y los 2 canales de sujeción.
3. Quite 2 tornillos y la cubierta del motor de engranaje.
4. Coloque cuidadosamente el ventilador debajo del reborde inferior del tiro descendente con la descarga de 3 ¼ x 10 pulg. (8.26 x 25 cm) orientada hacia la dirección deseada.
5. Conecte el enchufe del motor.
6. Vuelva a colocar la cubierta del motor de engranaje y los 2 tornillos autorroscantes.
7. Vuelva a colocar los 2 canales de sujeción y apriete ligeramente las 4 tuercas, no las apriete totalmente.
8. Deslice el ventilador a la izquierda o a la derecha hasta la posición deseada. Use la placa de cubierta (incluida) para cerrar cualquier espacio abierto.
9. Apriete las 4 tuercas para fijar la parte superior del ventilador. Coloque tornillos adicionales (incluidos) a través del reborde inferior para fijar la parte inferior en el ventilador.

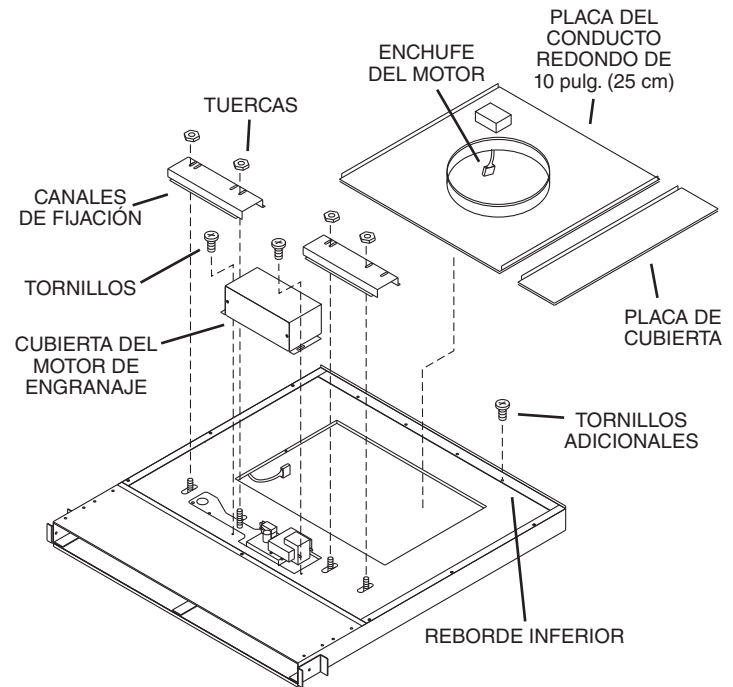


PREPARE EL TIRO DESCENDENTE

Instalación del ventilador exterior

El tiro descendente se envía sin ventilador. Compre un ventilador exterior modelo VEDV900 o VEDV1200 y monte la **placa de descarga de 10 pulg. (25 cm)** al tiro descendente tal como sigue:

1. Coloque el tiro descendente sobre su parte posterior en una mesa o una superficie de trabajo plana.
2. Quite las **4 tuercas** y los **2 canales de sujeción**.
3. Quite **2 tornillos** y la **cubierta del motor de engranaje**.
4. Coloque cuidadosamente la placa de descarga de 10 pulg. (25 cm) debajo del reborde inferior del tiro descendente.
5. Conecte el **enchufe del motor**.
6. Vuelva a colocar la cubierta del motor de engranaje y los 2 tornillos autorroscantes.
7. Vuelva a colocar los 2 canales de sujeción y apriete ligeramente las 4 tuercas, **no las apriete totalmente**.
8. Deslice el ventilador a la izquierda o a la derecha hasta la posición deseada. Use la **placa de cubierta** (incluida) para cerrar cualquier espacio abierto.
9. Apriete las 4 tuercas para fijar la parte superior del ventilador. Coloque **tornillos adicionales** (incluidos) a través del reborde inferior para fijar la parte inferior de la placa de descarga.



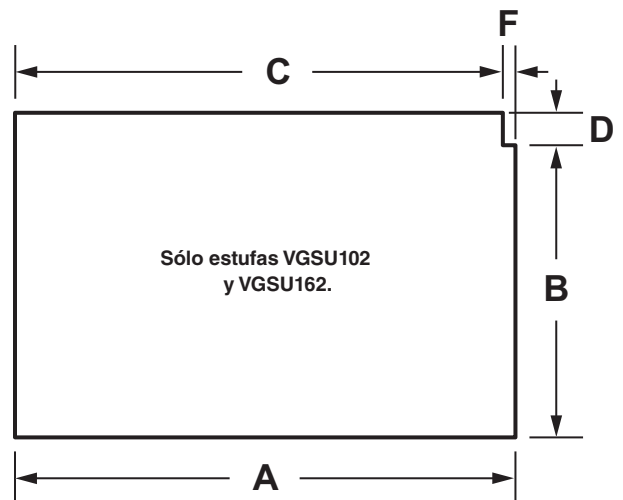
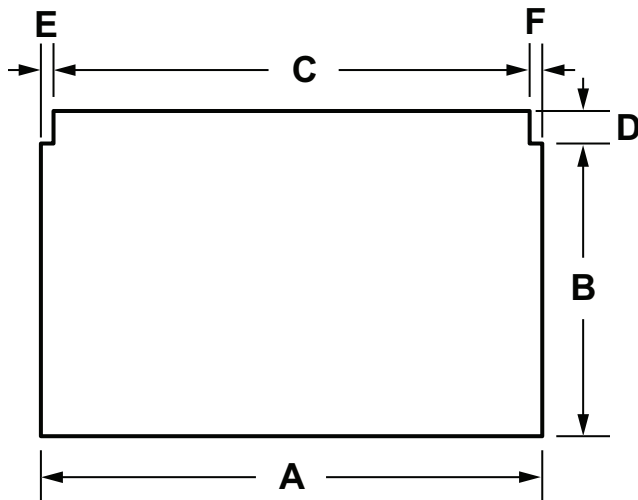
HAGA LA ABERTURA DE LA SUPERFICIE DEL GABINETE

Todas las unidades

1. Mida y corte la abertura de la superficie del gabinete según el ancho de la estufa y del tiro descendente.

Ancho y modelo de la estufa	VECU de 30 pulg. (75 cm)	VECU de 36 pulg. (90 cm)	VGSU102	VGSU162	VGRT de 30 pulg. (75 cm)*	VGRT de 36 pulg. (90 cm)*	VGRT de 48 pulg. (120 cm)*
Para usarse con modelos de tiro descendente	VIPR102SS	VIPR162SS	VIPR102SS	VIPR162SS	VIPR102RSS	VIPR162RSS	VIPR182RSS
	VIPR102RSS	VIPR162RSS	VIPR102RSS	VIPR162RSS			
Dimensiones del corte							
A	28-3/4 pulg. (73 cm)	34-3/4 pulg. (88.27 cm)	28-1/16 pulg. (71.3 cm)	34-1/4 pulg. (87 cm)	30 pulg. (75 cm)	36 pulg. (90 cm)	48 pulg. (120 cm)
B	20-1/4 pulg. (51.4 cm)	20-1/4 pulg. (51.4 cm)	18-3/4 pulg. (47.6 cm)	18-3/4 pulg. (47.6 cm)	24 pulg. (61 cm)	24 pulg. (61 cm)	24 pulg. (61 cm)
C	27 pulg. (68.6 cm)	33 pulg. (83.8 cm)	27 pulg. (68.6 cm)	33 pulg. (83.8 cm)	27 pulg. (68.6 cm)	33 pulg. (83.8 cm)	45 pulg. (114.3 cm)
D	2-1/4 pulg. (5.7 cm)	2-1/4 pulg. (5.7 cm)	3 pulg. (7.6 cm)	3 pulg. (7.6 cm)	2-3/4 pulg. (7 cm)	2-3/4 pulg. (7 cm)	2-3/4 pulg. (7 cm)
E	7/8 pulg. (2.2 cm)	7/8 pulg. (2.2 cm)	---	---	1-1/2 pulg. (3.8 cm)	1-1/2 pulg. (3.8 cm)	1-1/2 pulg. (3.8 cm)
F	7/8 pulg. (2.2 cm)	7/8 pulg. (2.2 cm)	1-1/16 pulg. (2.7 cm)	1-1/4 pulg. (3.2 cm)	1-1/2 pulg. (3.8 cm)	1-1/2 pulg. (3.8 cm)	1-1/2 pulg. (3.8 cm)

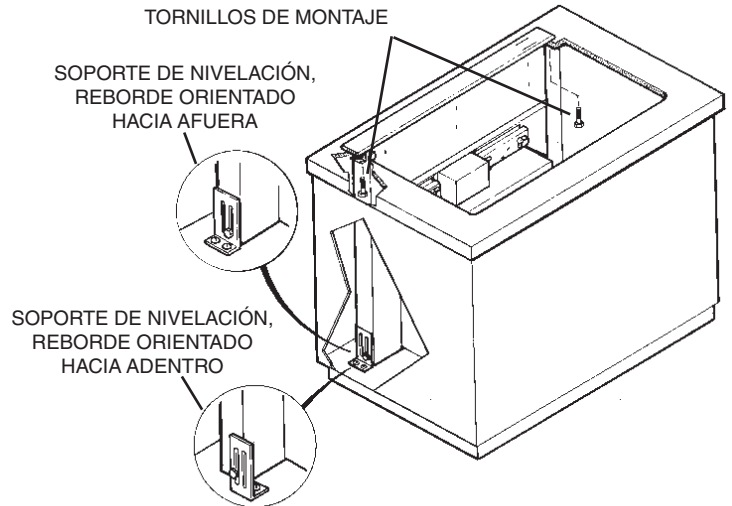
* Debe usar la tira de adorno de la isla. En esta instalación se usará la tira de adorno de la superficie del gabinete trasera (incluida con la tira de adorno de la isla).



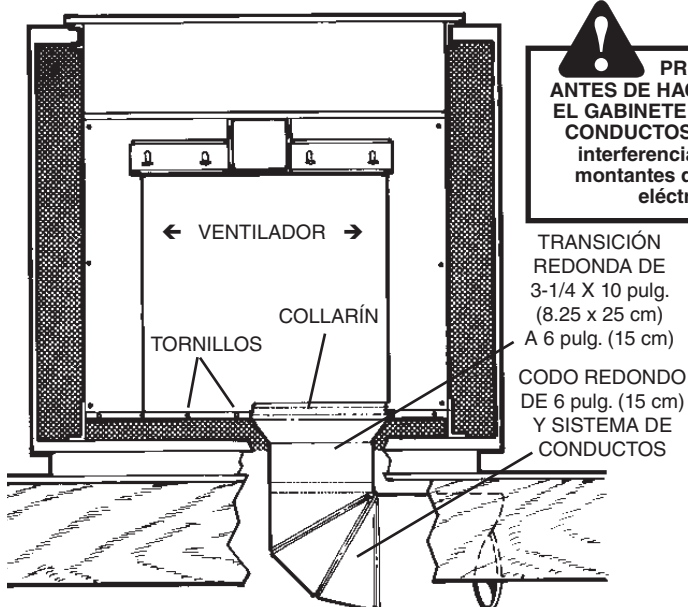
MONTE LA UNIDAD

Todas las unidades

1. Coloque el tiro descendente en la abertura. Extienda los **soportes de nivelación** al piso del gabinete para que el tiro descendente quede recto. (Nota: Los soportes de nivelación se pueden quitar y volver a poner en otra posición. Es posible que el reborde inferior deba quedar orientado hacia el interior en instalaciones muy ajustadas en los gabinetes.)
2. Fije el tiro descendente en la superficie del gabinete de la siguiente manera: Sujete el tiro descendente contra la parte posterior de la abertura de la superficie del gabinete y apriete los dos **tornillos de montaje** (uno en cada extremo de la unidad) en la parte inferior de la superficie del gabinete. Coloque una cuña de madera entre el tornillo y la parte interior de la superficie de los gabinetes de granito.
3. Atornille **los soportes de nivelación** en la parte inferior del gabinete. Apriete los tornillos que fijan los soportes de nivelación a la unidad en cada lado.



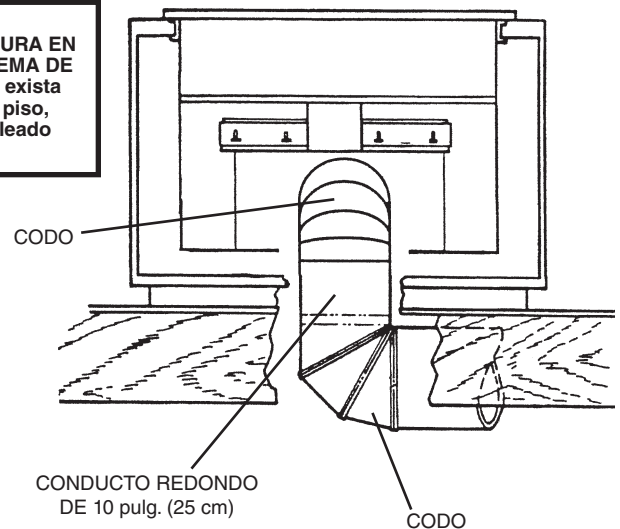
INSTALE EL SISTEMA DE CONDUCTOS

Instalación del ventilador interior

PRECAUCIÓN:
ANTES DE HACER LA ABERTURA EN EL GABINETE PARA EL SISTEMA DE CONDUCTOS, revise que no exista interferencia con vigas del piso, montantes de la pared, cableado eléctrico ni tubería.

1. Haga el orificio en el gabinete, así como los orificios en la pared o el piso según sea necesario.
2. Monte la tapa de techo o de pared y trabaje hacia atrás, hacia el gabinete, conectando todo el **sistema de conductos, codos y transiciones** como se planeó previamente. Encinte todas las conexiones de los conductos para fijarlas y hacerlas herméticas al aire.
3. Conecte el **sistema de conductos** (y las transiciones, si se requieren) al tiro descendente. Si es necesario, AFLOJE las tuercas y los **tornillos** que fijan el **ventilador** en su lugar, y deslice el ventilador hacia la izquierda o hacia la derecha para que se una con el sistema de conductos. Vuelva a apretar los tornillos y las tuercas.

Nota: Se incluye un **collarín de 3-1/4 x 10 pulg.** (8.25 x 25 cm) para los instaladores que prefieren remachar los conductos a la unidad. Esto permitirá que el ventilador se quite y reemplace fácilmente en situaciones de servicio sin alterar el sistema de conductos.

Instalación del ventilador exterior

1. Haga el orificio en el gabinete, así como los orificios en la pared o el piso según sea necesario.
2. Monte el ventilador exterior y trabaje hacia atrás, hacia el gabinete, conectando todo el **sistema de conductos, codos y transiciones** como se planeó previamente. Encinte todas las conexiones de los conductos para fijarlas y hacerlas herméticas al aire.
3. Conecte los conductos al tiro descendente. Si es necesario, AFLOJE las tuercas y los tornillos que fijan la placa adaptadora del ventilador remoto en su lugar, y deslice el conjunto de la salida hacia la izquierda o hacia la derecha para que se una con los conductos. Vuelva a apretar los tornillos y las tuercas.

INSTALE EL CABLEADO ELÉCTRICO

Instalación del ventilador interior



PRECAUCIÓN: Una o más personas calificadas deben realizar el trabajo de cableado eléctrico, de acuerdo con todos los códigos y las normas correspondientes.

1. Monte una caja de cableado estándar, con un receptáculo para tres patas, dentro del gabinete. Asegúrese de que esté al alcance del cable eléctrico.
2. Tienda el cable eléctrico apropiado en el gabinete y conéctelo en el receptáculo.
3. Conecte el cable eléctrico del tiro descendente en el tomacorriente. Asegúrese de que el cable eléctrico esté tendido lejos del calor generado por la estufa.

Instalación del ventilador exterior



PRECAUCIÓN: Una o más personas calificadas deben realizar el trabajo de cableado eléctrico, de acuerdo con todos los códigos y las normas correspondientes.

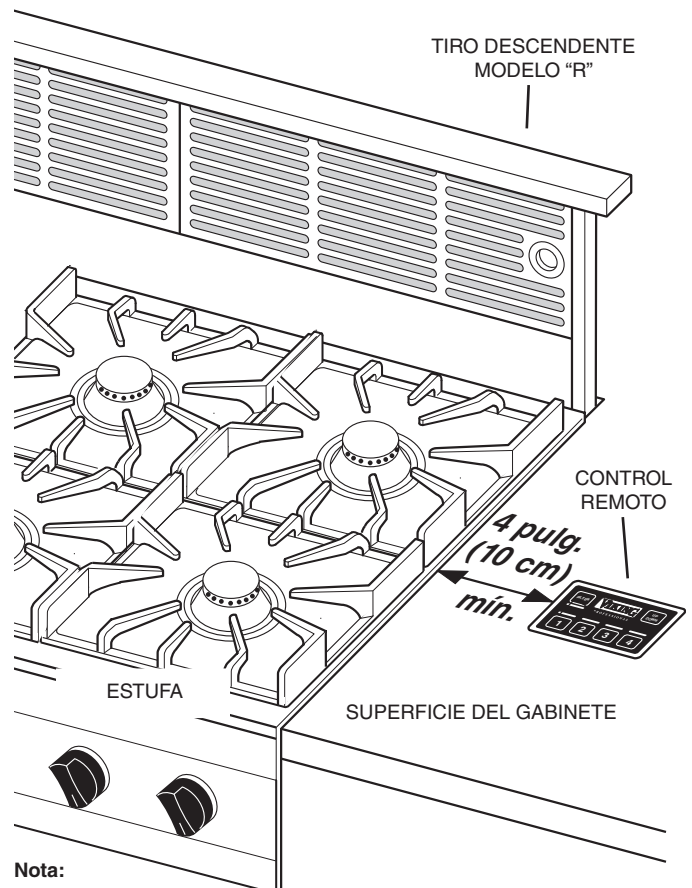
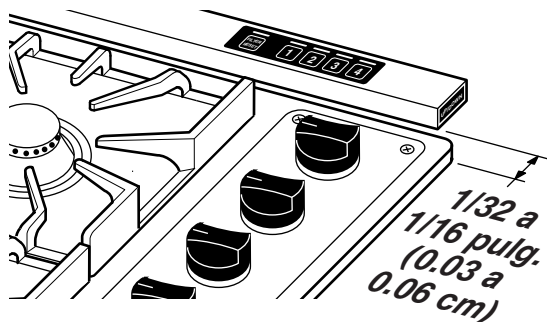
1. Monte una caja de cableado estándar, con un receptáculo para tres patas con conexión a tierra, dentro del gabinete de la cocina. Asegúrese de que el cable eléctrico del tiro descendente esté al alcance.
2. Tienda el cable eléctrico apropiado en el gabinete y conéctelo en la caja eléctrica y en el receptáculo.
3. La capacidad nominal del ventilador exterior **no puede exceder 6.0 amperios**.
4. Tienda un cable eléctrico de dos hilos y conexión a tierra desde el ventilador remoto hasta la caja de cableado en una placa de descarga de 10 pulg. (25 cm).
5. Conecte el cableado del tiro descendente al cable eléctrico desde el ventilador remoto. Conecte negro con negro, blanco con blanco y verde con verde o con el hilo desnudo.
6. Vuelva a colocar la cubierta de la caja.
7. Conecte el cable eléctrico del tiro descendente en el tomacorriente. Asegúrese de que el cable eléctrico esté tendido lejos del calor generado por la estufa.

INSTALE LA ESTUFA

Todas las unidades

1. Alinee la estufa con el tiro descendente y fije la estufa en su lugar.

Nota: Es necesario alinear exactamente la estufa y el tiro descendente para asegurarse de que no haya interferencia cuando el sistema de ventilación se eleve o baje. Debe haber una distancia de 1/32 a 1/16 pulg. (0.03 a 0.06 cm) entre la parte posterior de la estufa y la parte frontal de la cubierta del tiro descendente.



Nota:

Los gabinetes y las estufas de diseñador deben usarse con un tiro descendente modelo "R" (con control remoto) montado en el gabinete, por lo menos a 4 pulg. (10 cm) de los quemadores.

INSTALACIÓN DEL INTERRUPTOR DEL CONTROL REMOTO

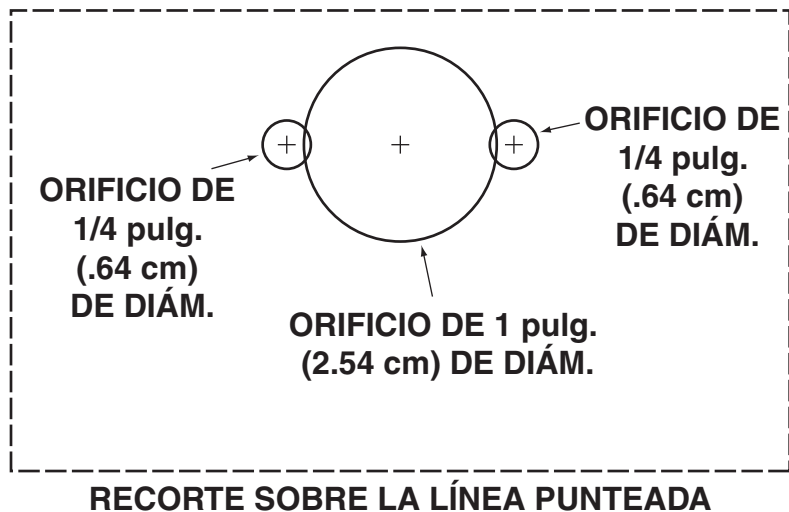


ADVERTENCIA: Para reducir el riesgo de quemaduras o de que se incendie la ropa al pasar sobre las hornillas, el control remoto se debe montar a una distancia mínima de 10 cm (4 pulg.) de cualquier hornilla de la estufa.

Tome en cuenta que no querrá colocar el control donde estorbe para cocinar o donde se pondrían sartenes calientes, o donde líquidos calientes podrían salpicarse sobre el control.

- Usando la plantilla que aparece abajo, trace el patrón de tres orificios en el gabinete. Marque el centro de los tres orificios que se van a hacer.
- Con un taladro, perforo cuidadosamente los tres orificios en el gabinete. Tenga cuidado de no dañar ni astillar la superficie del gabinete cuando haga los orificios.
- Saque el control de la bolsa de plástico. Quite el papel del respaldo adhesivo del control, alinee el control con los tres orificios y coloque el control de tal manera que quede paralelo con el frente del gabinete. Oprima firmemente durante 60 segundos.
- Saque las dos tuercas de mariposa de nailon de la bolsa de plástico y enrósquelas en los dos pernos del control desde debajo del gabinete. **Apriete las tuercas sólo con la mano.** Las tuercas de mariposa sólo tienen que apretarse con la mano. Están ahí para mantener en su lugar al control hasta que el adhesivo se fije.
- Saque el cable de la bolsa de plástico y enchúfelo en la parte posterior del control desde abajo del gabinete. Tienda el cable a través del gabinete hasta la esquina inferior derecha del tiro descendente. Conecte el otro extremo del cable en la unidad del tiro descendente. (El orificio del receptáculo para el gabinete se encuentra en la parte inferior derecha del tiro descendente.)
- Acomode el exceso de cable donde no estorbe y fije el cable para que no resulte dañado por los artículos que se almacenan en el gabinete.

BORDE SUPERIOR



Esta página se ha
dejado en blanco
intencionalmente.

PARTE POSTERIOR
DE LA PLANTILLA
DEL CONMUTADOR
REMOTO

FUNCIONAMIENTO

ARRIBA/ABAJO—Sube y baja el sistema de ventilación. Enciende el ventilador cuando el sistema está ARRIBA y lo apaga cuando el sistema está ABAJO.

Nota: El interruptor ARRIBA/ABAJO para los modelos VIPR102SS, VIPR162SS y VIPR182SS se encuentra en la parte inferior derecha de la cubierta superior.

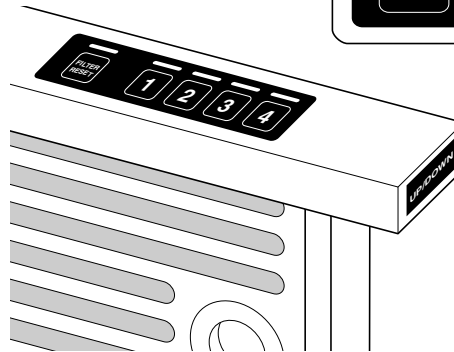
RETRASO-----Permite que el ventilador funcione durante 10 minutos después de presionar el botón. Se activa el retraso si presiona dos veces cualquier botón de control de velocidad. El ventilador funcionará 10 minutos y luego se APAGARÁ. **EL SISTEMA DE VENTILACIÓN NO BAJARÁ.** Debe oprimir el botón ARRIBA/ABAJO para bajar el sistema de ventilación. Cuando se activa el RETRASO, la luz de nivel de velocidad destellará.

VELOCIDADES DEL VENTILADOR-----El ventilador funciona con 4 niveles de velocidad diferentes. Oprima el botón UNA VEZ para ENCENDER el ventilador a la velocidad deseada. Presione el botón OTRA VEZ para APAGAR el ventilador.

LUZ DE FILTRO-----Se ENCIENDE después de 30 horas de funcionamiento para recordarle cambiar los filtros. Oprima el botón para reiniciar.

Todas las unidades

**CONTROL REMOTO PARA LOS MODELOS
VIPR102RSS
VIPR162RSS
VIPR182RSS**



**CUBIERTA SUPERIOR PARA LOS MODELOS
VIPR102SS
VIPR162SS
VIPR182SS**

USO Y CUIDADO

Siempre encienda el ventilador del tiro descendente antes de comenzar a cocinar para establecer un flujo de aire en la cocina. Después de apagar la estufa, deje que el ventilador funcione durante unos minutos para limpiar el aire de la cocina. Así mantendrá toda la cocina más limpia y brillante. El interruptor de activación se presiona y el sistema de ventilación se eleva.

Limpieza

Use un detergente suave adecuado para superficies pintadas. **NO USE PAÑOS ABRASIVOS, ALMOHADILLAS DE LANA DE ACERO NI POLVOS ABRASIVOS.** Limpie por aspiración. No sumerja el ventilador en agua.

Todas las unidades



ADVERTENCIA: Siempre desconecte el suministro eléctrico antes de limpiar o dar servicio a la unidad.

Lave los dos filtros de grasa de aluminio/acero inoxidable en una solución suave de detergente o en el lavaplatos. Sáquelos del sistema de ventilación sujetando la lengüeta que se encuentra en la parte superior de cada filtro.

Servicio

Es posible que sea necesario quitar el sistema de ventilación de tiro descendente del gabinete para dar servicio a componentes tales como el motor del ventilador o el mecanismo del sistema de ventilación.

Desconecte el suministro eléctrico a la estufa y quítela primero. Invierta los pasos contenidos en la sección "MONTE LA UNIDAD" para quitar el tiro descendente del gabinete.

GARANTÍA DEL TIRO DESCENDENTE POSTERIOR INTEGRADO, SERIE PROFESIONAL

GARANTÍA COMPLETA DE UN AÑO

Los ventiladores de tiro descendente integrados, todas sus piezas y accesorios componentes, excepto como se detalla a continuación*, están garantizados como libres de defectos en materiales o mano de obra en uso casero normal, por un periodo de doce (12) meses a partir de la fecha de la compra minorista original. Viking Range Corporation, el garante, acuerda reparar o reemplazar, a su opción, cualquier pieza que falle o que se encuentre defectuosa durante el periodo de garantía. Para fines de esta garantía, el uso casero normal no deberá incluir el uso de este ventilador de tiro descendente con una unidad de cocina que tenga una parrilla. La garantía de Viking no cubre cualquier producto de ventilación adicional no suministrado por Viking, utilizado en conjunto con tiros descendentes Viking o juegos de ventiladores. Esto incluye, entre otros, dispositivos tales como ventiladores de refuerzo o en línea. Cualquier falla ocasionada por productos de ventilación Viking como resultado directo del uso de dicho equipo no está cubierta por la garantía de Viking.

Los artículos pintados y decorados están garantizados como libres de defectos en materiales o mano de obra por un periodo de noventa (90) días a partir de la fecha de la compra minorista original. TODO DEFECTO DEBE INFORMARSE AL DISTRIBUIDOR QUE REALIZÓ LA VENTA EN UN PLAZO DE NOVENTA (90) DÍAS A PARTIR DE LA FECHA DE LA COMPRA MINORISTA ORIGINAL.

GARANTÍA LIMITADA DE CINCO AÑOS

Todo motor ventilador que falle debido a defectos en materiales o mano de obra en uso casero normal durante el intervalo del segundo al quinto año a partir de la fecha de la compra minorista original será reparado o reemplazado, libre de cargo por la pieza misma, donde el propietario pagará todos los demás costos, incluida la mano de obra.

Esta garantía se extiende al comprador original del producto garantizado al amparo de la presente, y a cada propietario a quien se transfiera el producto durante la vigencia de la garantía.

Esta garantía se aplicará a productos comprados y situados en los Estados Unidos y Canadá. Los productos se deben comprar en el país donde se solicite el servicio. La mano de obra de la garantía será realizada por una agencia o representante de servicio autorizado por Viking Range Corporation. La garantía no se aplicará a daños que resulten por abuso, accidente, desastre natural, pérdida de energía eléctrica al producto por cualquier razón, alteración, uso en exteriores, instalación inadecuada, funcionamiento, reparación o servicio inadecuados al producto por cualquier entidad que no sea una agencia o representante de servicio autorizado por Viking Range Corporation. Esta garantía no se aplica al uso comercial. El garante no es responsable de daños consecuentes o incidentales que surjan por el incumplimiento de la garantía, incumplimiento de contrato o de otra manera. Algunas jurisdicciones no permiten la exclusión o limitación de daños incidentales o consecuentes, por lo que la limitación o exclusión antes mencionada podría no aplicarse a usted.

El propietario será responsable de la instalación adecuada, de suministrar el cuidado y el mantenimiento normales, de presentar un comprobante de compra previa solicitud, y de hacer que el electrodoméstico sea accesible razonablemente para el servicio. Si el producto o una de sus piezas componentes contienen un defecto o falla durante el periodo de garantía, después de una cantidad razonable de intentos por parte del garante para remediar los defectos o fallas, el propietario tiene el derecho de recibir un reembolso o reemplazo del producto o de su pieza o piezas componentes. El reemplazo de una pieza componente incluye su instalación gratuita. La responsabilidad del garante sobre cualquier reclamo de cualquier tipo, con respecto a los bienes o servicios cubiertos por la presente, en ningún caso excederá el precio de los productos o servicio o parte del mismo que dé origen al reclamo.

SERVICIO BAJO LA GARANTÍA: Según los términos de esta garantía, el servicio debe ser realizado por un agente o representante de servicio autorizado por la fábrica de Viking Range Corporation. El servicio se brindará en horario comercial normal, y la mano de obra realizada en horas extra o a tarifas de primer nivel no quedará cubierta por esta garantía. Para obtener el servicio de garantía, comuníquese con el distribuidor a quien le compró el producto, con un agente de servicio autorizado por Viking Range Corporation o con Viking Range Corporation. Proporcione el modelo y el número de serie y la fecha de la compra original. Para obtener el nombre de su agencia de servicio autorizada de Viking Range Corporation más cercana, llame al distribuidor a quien le compró el producto o a Viking Range Corporation. **IMPORTANTE:** Conserve el comprobante original de la compra para establecer el periodo de garantía.

La devolución de la tarjeta de registro del propietario no es una condición de cobertura de la garantía. No obstante, debe devolver la tarjeta de registro del propietario para que Viking Range Corporation pueda comunicarse con usted en caso de que surja alguna situación de seguridad que lo pueda afectar. Cualquier garantía implícita de comercialización y aptitud que se aplique al motor del ventilador descrito anteriormente se limita a la duración del periodo de cobertura de las garantías limitadas y expresas por escrito correspondientes, según se establecieron anteriormente. Algunas jurisdicciones no permiten limitaciones en la duración de una garantía implícita, así que la limitación anterior tal vez no aplique en su caso. Esta garantía le otorga derechos legales específicos, y usted puede tener otros derechos que varían de una jurisdicción a otra.

VIKING RANGE CORPORATION
111 Front Street
Greenwood, Mississippi 38930 USA
(662) 455-1200

Las especificaciones están sujetas a cambios sin previo aviso.

Si desea más información sobre el producto, llame al 1-888-VIKING1 (845-4641), o visite el sitio web de Viking en <http://www.vikingrange.com>.