

FRIGIDAIRE

affinity



Front Load Dryers

FASG7073L R/N/A/W

10 Dry Cycles
7.0 Cu. Ft. Gas



Optional SpaceWise® Pedestal Drawer Shown

Signature Features



Ready Steam™

Removes wrinkles and refreshes clothes.



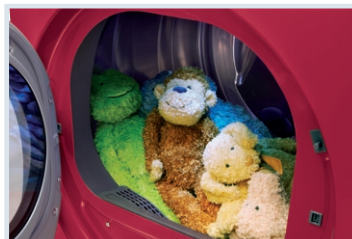
Ultra-Capacity Dryer

The largest in its class¹, so you can finish more laundry, even faster.



DrySense™ Technology

Dries your clothes more precisely, reducing wrinkles.



Specialty Cycles

Dry everything from teddy bears to pet beds and active wear.

Product Dimensions

Height	36"
Width	27"
Depth	30-5/16"

More Easy To Use Features

Specialty Options

Dry special items, prevent static and reduce allergens.

Energy Saver Option

Reduces energy use up to 35%.²

Useful Dryer Options

Anti-Static, Line Dry, Delay Start and Wrinkle Release Technology.

Allergen Cycle

SilentDesign™ Ultra

for quiet operation.

Moisture Sensor

Optional SpaceWise® Pedestal Drawer

Express-Select® Controls

Easily select options with the touch of a button.

Delay Start 1 to 12 Hours

Sanitize Option

Sanitize without washing.

Reversible Door



NSF® International Certification

Available in:



Classic Red (R)



Classic Blue (N)



Classic Silver (A)



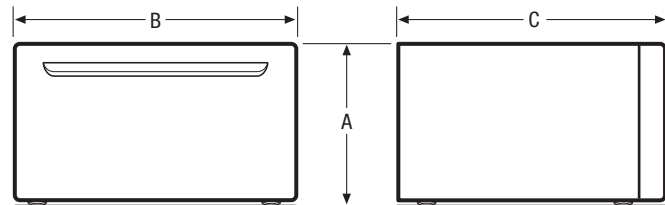
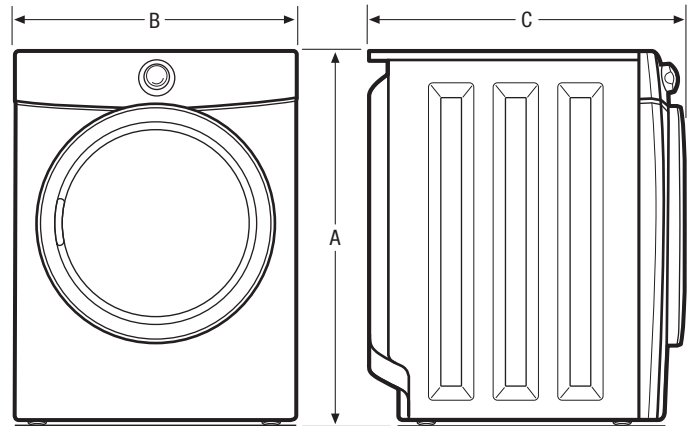
Classic White (W)

¹Based on I.E.C. std. 60456 4th Edition for dryers 37" or less in height and 27" or less in width.

²Based on a 3 lb. delicate AHAM load as compared to not using energy saver option for the same model.

Features	
Total Capacity (Cu.Ft.)	7.0
Controls	Express-Select®
Dryer Drum Interior	Stainless Steel
Interior Light	Yes
Door Trim	Chrome
Ready Steam™	Yes
DrySense™ Technology	Yes
Wrinkle Release Technology	
TimeWise™ Technology	Yes
Moisture Sensor	Yes
Time Remaining Indicator	Yes
Cycle Status Lights	Yes
Cycle Signal	Music
Cycle Signal "On/Off"	Yes
Cycle Signal Volume Control	Yes
Control Lock	Yes
Start/Pause/Cancel Buttons	Yes
Energy Saver Option	Yes
Delay Start	1 to 12 Hours
Tumble Speed (RPM)	50
Reversible Door	Yes
Lint Screen	Yes
Sound Package	SilentDesign™ Ultra
Adjustable Leveling Legs	Yes
Cycles	
Dry Cycles	10
Specialty Cycles	4
Options	
Temperature Selections	5
Dryness Level Selections	5
Timed Dry	15, 30, 45, 90
Optional Accessories	
Dryer Stacking Kit	PN# STACKIT4X
15" Frigidaire Affinity® Pedestal Drawers	
Classic Red (R)	(R) PN# CFPWD15R
Classic Blue (N)	(N) PN# CFPWD15N
Classic Silver (A)	(A) PN# CFPWD15A
Classic Black (B)	
Classic White (W)	(W) PN# CFPWD15W
Mobile Home Installation Kit	PN# 137067200
LP Gas Conversion Kit	PN# PCK4200
Drying Rack	PN# 137067300
Certifications	
NSF® Certified Sanitize	Yes
Specifications	
Gas Connection	Left Bottom Rear
Power Cord Location	Right Bottom Rear
Voltage Rating	120V/60Hz/15A
Connected Load (kW Rating) @ 120 Volts¹	0.5
Amps @ 120 Volts	7
Heating Element (BTU/HR)	20,000
Shipping Weight (Approx.)	140 Lbs.

¹For use on adequately wired 120V, dedicated circuit having 2-wire service with a separate ground wire. Appliance must be grounded for safe operation.



NOTE: For planning purposes only. Always consult local and national electric, gas and plumbing codes. Refer to Product Installation Guide on the web at frigidaire.com for detailed instructions.



Product Dimensions	
A - Height (Single)	36"
Height (Stacked)	71-1/2"
B - Width	27"
C - Depth	30-5/16"
Depth with Door Open 90°	51-7/16"
Pedestal Dimensions	
A - Height	15-1/4"
B - Width	27"
C - Depth	26-1/4"

Accessories information available on the web at frigidaire.com