



Single Wall Oven

FFEW2425L S

24" Electric



Product Dimensions

Height	30-3/4"
Width	23-7/8"
Depth	25-3/8"

More Easy-To-Use Features

Large Window

Our large oven window lets you easily see what's inside.

Bright Oven Lighting

Our bright lighting makes it easy to see what's inside.

Delay Bake

Timer Function

Timed Cook Option

Auto Shut-Off

As an extra safety measure, the oven will automatically shut off after 12 hours.

Attractive Stainless Steel Exterior

Sabbath Mode (Star-K® Certified)

Available in:



Stainless
(S)

Signature Features

Ready-Select™ Controls

Easily select options or control cooking temperature with our easy-to-use controls.

Even Baking Technology

Our latest technology ensures even baking every time.

Self-Cleaning

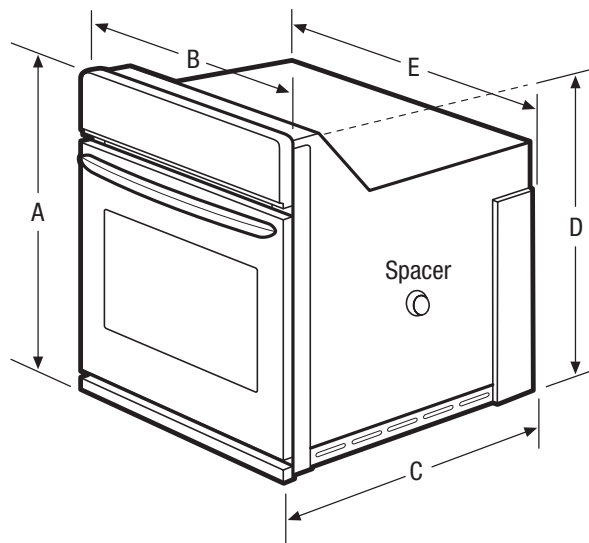
Ovens clean themselves — so you don't have to.

Vari-Broil™ Option

Allows you to choose between two heat levels.

Features	
Oven Control/Timing System	Ready-Select™
Window	Large
Exterior Door Finish	Stainless Steel
Handle Design	Black
Oven Cleaning System	Self Clean
Oven Controls	
Bake/Broil	Yes/ Variable (Hi - Lo)
Convection Conversion	
Convection Bake/Broil/Roast	
Quick Bake Convection	
PowerPlus™/Quick Preheat	
My Favorite	
Chicken Nugget Button	
Pizza Button	
Keep Warm	
Add-a-Minute	
Delay Bake	Yes
Self-Clean	Yes
Rapid/Quick Clean Option	
Delay Clean	2, 3 Hours
Kitchen Timer	Yes
Timed Cook Option	Yes
Control Lock	
Auto Oven Shutoff	12 Hours
Oven Lock-Out	
Oven Features	
Capacity (Cu. Ft.)	2.9
Convection System	
Oven Light	1
Hidden Bake Element	
Rack Configuration	2 Handle Racks
Baking System	Even Baking Technology
Broiling System	Vari-Broil™
Bake/Broil Element (Watts)	2,100/3,400
Certifications	
A.D.A. Compliant	
Sabbath Mode (Star-K® Certified)	Yes
Specifications	
Oven Interior (H x W x D)	16" x 17" x 18-1/2"
Power Supply Connection Location	Left Bottom Rear
Voltage Rating	240V/208V/60Hz
Connected Load (kW Rating) @ 240/208 Volts ¹	3.4/2.6
Amps @ 240/208 Volts	14.5/12.5
Minimum Circuit Required (Amps)	20
Approved for Under-Counter Installation	
Shipping Weight (Approx.)	130 Lbs.

¹Single phase 3- or 4-wire cable, 120/240 or 120/208 Volt, 60 Hertz AC only electrical supply with ground required on separate circuit fused on both sides of line.



NOTE: For planning purposes only. Always consult local and national electric codes. Refer to Product Installation Guide for detailed installation instructions on the web at frigidaire.com.



Product Dimensions	
A - Height	30-3/4"
B - Width	23-7/8"
C - Depth	25-3/8"
D - Height (Wrapper)	28-3/32"
E - Width (Wrapper)	21-11/16"
Depth with Door Open 90°	43-3/4"

Cutout Dimensions	
Height (Min.)	28-1/8"
Height (Max.)	30-1/8"
Width (Min.)	22"
Width (Max.)	22-1/4"
Depth (Min.)	23-1/2"

Accessories information available on the web at frigidaire.com