



Side-by-Side Refrigerators

FGHS2332L P/E

23 Cu. Ft. Standard-Depth



Product Dimensions

Height (Including Hinges & Rollers)	69-3/8"
Width (Doors)	33"
Depth (Including Door)	33"

More Easy-To-Use Features

EnergySaver™ Plus Technology¹
Our refrigerator will automatically go into an energy-saving mode if not opened for 24 hours.

Quiet Pack

Cool Zone™ Drawer

Gallon Door Storage

Full Freezer Basket

ENERGY STAR®
Sabbath Mode (Star-K® Certified)



Available in:



Pearl
(P)



Ebony
(E)

¹If this refrigerator door is not opened for 24 hours AND the refrigerator system is set to the 12-hour defrost cycle, then the system automatically goes to a 96-hour compressor run time defrost cycle to conserve electricity.

Signature Features



SpaceWise® Organization System

Our SpaceWise® organization system makes it easy to keep food organized and easy to find when you need it.



SpillSafe® Shelves

Designed to keep spills contained, making cleanup a breeze.



Express-Select™ Controls

Easily select options with the touch of a button.

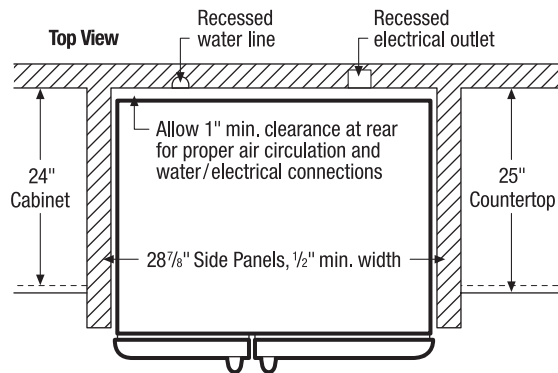
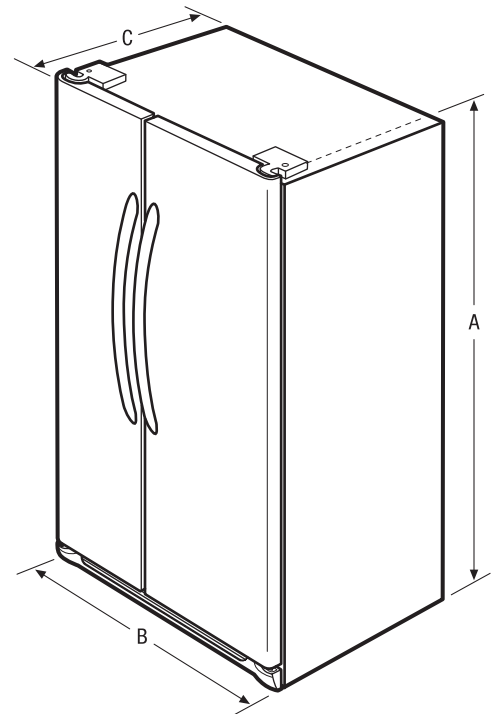
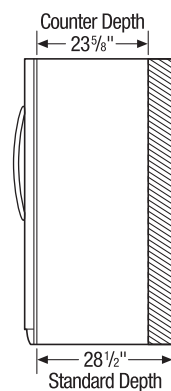


PureSource 3® Ice & Water Filtration

Offers cleaner, better-tasting water and ice at your fingertips.

Features	
Door Design	Soft-Arc
Door Handle Design	Color-Coordinated
Cabinet Finish	Color-Coordinated
Door Stops/Door Closers	Yes/Yes
Door Hinge Covers	Hidden
Rollers - Front/Rear	Adjustable/Yes
Energy Saver Plus Technology	Yes
Water Filter Location	Top Front
Sound Package	Quiet Pack
Dispenser	
Controls	Express-Select™
Dispenser Design	Tall, Two Paddle
Number of Dispenser Buttons	5
Crushed Ice/Cube Ice/Chilled Water	Yes/Yes/Yes
Ice Option	
Freeze Option	
Display On/Off Option	
Lock/Light	Yes/Yes
Temp/Door Ajar/Power Failure Alerts	
Water Filter Change Indicator Light	Yes
Air Filter Change Indicator Light	
Refrigerator Features	
Interior Lighting	Standard
Water Filter Type	PureSource 3*
Air Filter Type	
Fixed Shelves	2 SpillSafe*
Sliding Shelves	1 SpillSafe*
Cool Zone™ Drawer	1 Clear Hanging
Wine/Can Rack	
Upper Crisper/Lower Crisper	1 Clear/1 Clear
Humidity Controls	2
Dairy Compartment	1 Clear
Fixed Door Bins	2 Two-Liter Clear
Adjustable Door Bins	2 One-Gallon Clear
Non-Slip Bin Liner/Bottle Retainers	
Condiment Bin	
Freezer Features	
Door Bins/Tilt-Out Wire Door Bins	4 White/No
Fixed Shelves	1 Flip-Out /2 Wire
Full Extension Baskets	
Full Freezer Baskets	
Half Freezer Baskets	1 Plastic
Ice Cream Shelf/Pizza Shelf	
SpaceSaver™ Shelf	
Lighting	Yes
Certifications	
ENERGY STAR®	Yes
Sabbath Mode (Star-K® Certified)	Yes
Specifications	
Total Capacity (Cu. Ft.)	22.6
Refrigerator Capacity (Cu. Ft.)	14.2
Freezer Capacity (Cu. Ft.)	8.3
Power Supply Connection Location	Right Bottom Rear
Water Inlet Connection Location	Left Bottom Rear
Voltage Rating	120V/60Hz/15 or 20A
Connected Load (kW Rating) @ 120 Volts¹	1.02
Amps @ 120 Volts	8.5
Minimum Circuit Required (Amps)	15
Shipping Weight (Approx.)	285 Lbs.

Standard Refrigerator Depth vs. Counter Depth



NOTE: For planning purposes only. Always consult local and national electric and plumbing codes. Refer to Product Installation Guide for detailed installation instructions on the web at frigidaire.com.



Overall Exterior Dimensions	
A - Height (Incl. Hinges and Rollers)	69-3/8"
B - Cabinet Width/Door Width	32-5/8" / 33"
C - Depth (Incl. Door)	33"
Depth with Door Open 90°	49-7/8"

¹For use on adequately wired 120V, dedicated circuit having 2-wire service with a separate ground wire. Appliance must be grounded for safe operation.

Accessories information available on the web at frigidaire.com

FRIGIDAIRE

USA • 10200 David Taylor Drive • Charlotte, NC 28262 • 1-800-FRIGIDAIRE • frigidaire.com
 CANADA • 5855 Terry Fox Way • Mississauga, ON L5V 3E4 • 1-800-265-8352 • frigidaire.ca

FGHS2332L 11/10

© 2010 Electrolux Home Products, Inc.

Specifications subject to change.
 Printed in the U.S.A.

Use these dimensions and clearance instructions for planning purposes only. For detailed installation instructions, refer to installation guide, packed with product, or on the web at frigidaire.com.



When installing appliances adjacent to each other, 20" minimum distance between each appliance required.

When installing built-in cooking appliances in combination, 2" minimum visible gap between appliance faceplates required.



When installing side-by-side refrigerator adjacent to wall, cabinet or another appliance that extends beyond front edge of unit, 20" minimum clearance recommended to allow for optimum 120° to 180° door swing, providing complete drawer/crisper access and removal.

When installing appliance with sliding drawer, swinging or drop-down door directly across from obstructions, provide sufficient clearance for drawer extension or door swings.



When installing appliance with sliding drawer or drop-down door directly across from obstructions, provide sufficient clearance for drawer extension or door swing.

When installing appliance with sliding drawer or drop-down door adjacent to wall, cabinet, or other obstruction that extends beyond front edge of appliance, allow 2" minimum clearance between drawer or door and obstruction.