

PERFORMANCE DATA NO LOAD & NO DOOR OPENINGS AT 37°/0° CONTROL SETTING		
Type A with Run/Start Capacitor	65°F (18°C) Ambient	90°F (32°C) Ambient
Operating Time	74 to 84%	100%
Freezer Temperature	-5° to 2° F (-20° to -17° C)	-1° to 3° F (-18° to -16° C)
Refrigerator Temperature	34° to 39° F (1° to 4° C)	34° to 39° F (1° to 4° C)
Low Side Pressure (cut-in)	5 to 12 psig (34 to 83 kPa)	N/A
Low Side Pressure (cut-out)	-2 to 2 psig (-14 to 14 kPa)	-2 to 2 psig (-14 to 14 kPa)
High Side Pressure (last 1/3 cycle)	85 to 95 psig (586 to 655 kPa)	120 to 135 psig (827 to 931 kPa)
Wattage (last 1/3 cycle)	45 to 55	60 to 70
Amps (running)	.6 to 1.1	.7 to .9
Base Voltage	115 vac (127 vac max)	

DEFROST SPECIFICATIONS				
Cabinet Size	Thermostat		Heater	
	Cut-in	Cut-out	Watts	Ohms
26' & 28' SD, 23' CD	25° F (-4° C)	47° F (8° C)	500	31
Electronic Timer - (ADC) Defrost 24 minutes every 6-96 hours of compressor run time.				

CONDENSER FAN MOTOR		
Watts	RPM	Amps
3.1	1100 CW Opposite Shaft	0.03 Running

ICE MAKER SPECIFICATIONS	
Electrical	115 vac (127 vac max)
Thermostat	Opens at 48° F (9° C), Closes at 15° F (-9° C)
Heater Voltage	85 vac

ICE MAKER CONNECTOR PLUG CONNECTIONS		
Wire Number	Wire Color	Connects to:
1	Green/Yellow	Ground
2	Yellow	Water Valve
3	Black	Line
4	Light Blue	Neutral

**IMPORTANT SAFETY NOTE**  
 The information provided herein is designed to assist qualified repair personnel only. Untrained persons should not attempt to make repairs due to the possibility of electrical shock. Disconnect power cord before servicing this appliance.

**IMPORTANT**  
 If any green grounding wires are removed during servicing, they must be returned to their original position and properly secured.

**CAUTION**  
 All electrical parts and wiring must be shielded from torch flame. **DO NOT** allow torch to touch insulation; it will char at 200°F and flash ignite (burn) at 500°F. Excessive heat will distort the plastic liner.

**NOTE**  
 This product comes equipped with an Adaptive Defrost Control (ADC). To activate manual defrost, simultaneously press and hold the Fresh Food up (+) and Fresh Food down (-) keys for 5 seconds. A "d" in the freezer temperature window and "F" in the refrigerator temperature window will display when the heater is activated. To deactivate manual defrost, simultaneously press and hold the Fresh Food up (+) and Fresh Food down (-) keys for 5 seconds. A "d" and "F" will be displayed until the defrost cycle is complete.

**IMPORTANT**  
**PLEASE RETURN THIS SHEET TO IT'S ORIGINAL LOCATION.**

# SERVICE DATA SHEET

## 240389643

### ICE & WATER - AUTOMATIC DEFROST

#### BOTTOM FREEZER - R134a

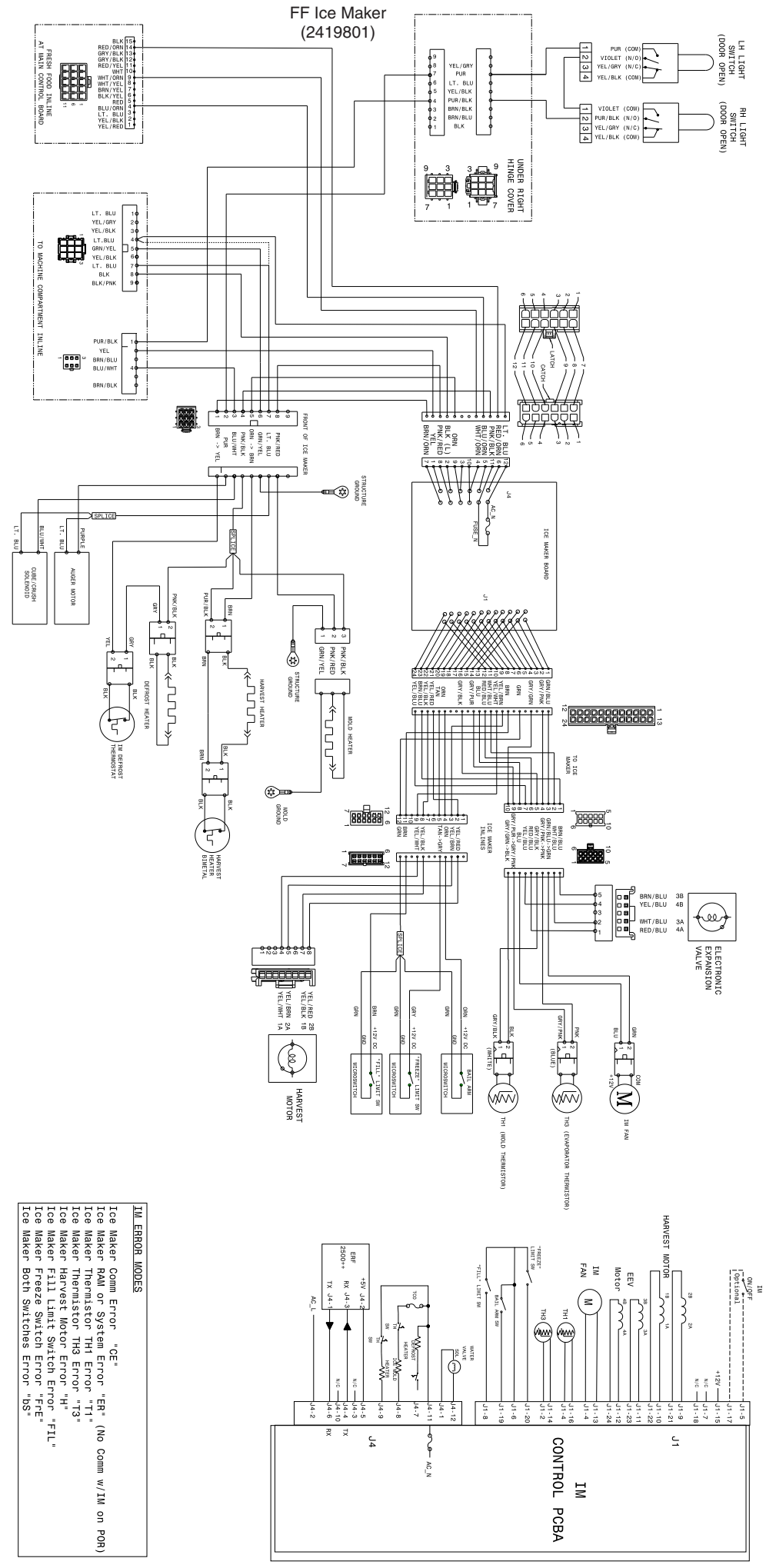
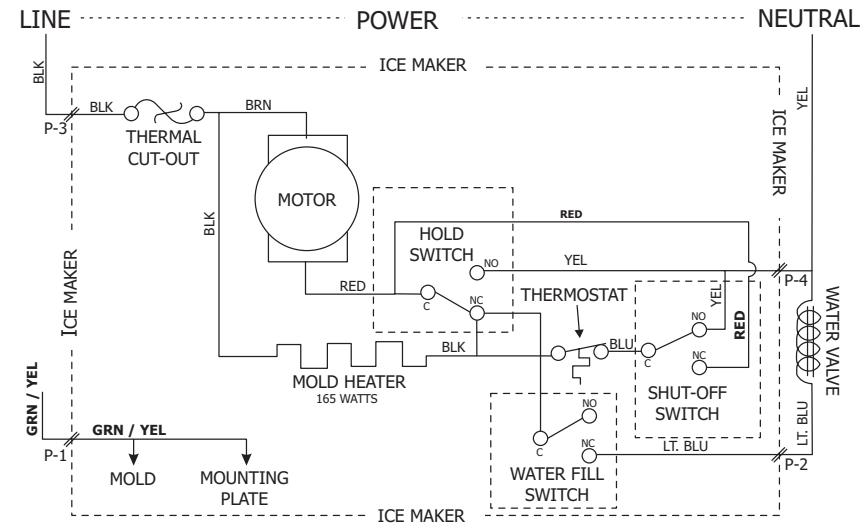
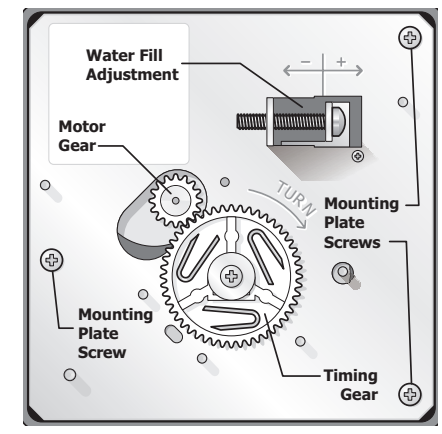
Ice Maker Errors Displayed on "UI"		Test	Diagnostic Mode	Note:
Ice	Er	IM/RAM Error (on POR only)Detection - on POR only. This error is detected as "no com/data link with IM" by ERF 2500++ system controller (PB).	48C	Activate: Hold FF (+) and FZ (+) for 5 sec.
Ice	IP	Invalid Protocol (this error is detected when the version of I/M pcb does not match version of 2500++ system controller)	49C	Freezer Recover Mode, "1" ok "F" Recovery mode, Ice maker in "off" state. (See Note)
Ice	CE	IM Com Lost only after POR(no communication between the I/M pcb and the 2500++ system controller.)	50C	EEV On=Open Off=Closed , EEV must be in the open state for sealed system evacuation.
Ice	I3	TH3 Error (open or short) This error is detected when the thermister has failed on the suction line of the I/M.	51C	Com Link "1" ok "ER" error
			52C	TH1 Status "1" ok "ER" Replace
			54C	TH3 Status "1" ok "ER" Replace
			54C	Mold heater test, on or off
			56C	Finger evap heater, on or off
			55C	Water valve test (See Note)
				De-activate: Hold FF (+) for 5 sec.

System Error Codes Displayed on "UI"		Test	Diagnostic Mode	Note:
OP or 2	Freezer Sensor OPEN	1	Standard compressor	Damper
SH or 3	Freezer Sensor SHORTED	2	Defrost heater	23
OP or 2	FF Sensor OPEN	3	FF lighting	24
SH or 3	FF Sensor SHORTED	8	Water valve, water disp.	26
SY	EF Evaporator Fan Circuit	9	FZ lighting	28
SY	CE Communication error	10	Auger motor	36
SY	CF Communication error	11	Cube/crush solenoid	29
	dF In Manual Defrost	41	Perfect Temp Drawer	30
		12	VCC Condenser fan	33
		38	VCC Compressor	0-
		15	Evaporator fan	
				De-activate: Hold FF (+) for 5 sec.

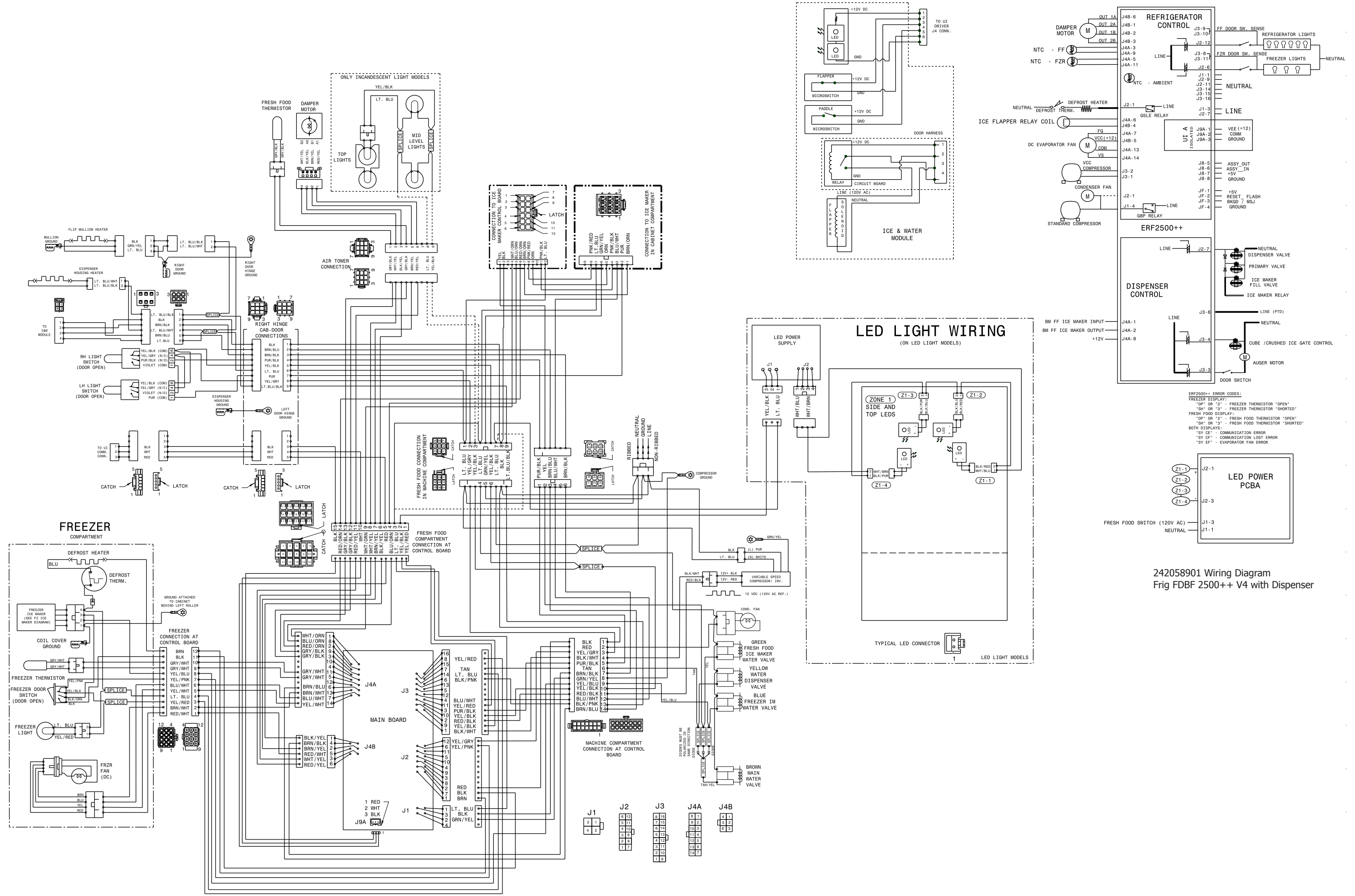
### FREEZER ICE MAKER INFORMATION

**Test Cycling:** Remove cover by inserting screwdriver in notch at bottom and prying cover from housing. Use screwdriver to rotate motor gear counterclockwise until holding switch circuit is completed. All components of ice maker should function to complete the cycle.

**Water Fill Volume:** The water fill adjustment screw will change the fill time. One full turn is equal to 20cc (.68 oz.). The correct fill is 102 to 130cc (3.4 to 4.3 oz.). When a water valve is replaced, the fill volume must be checked.



- IM ERROR MODES**
- Ice Maker Comm Error "CE"
  - Ice Maker RAM or System Error "ER" (No Comm w/IM on POR)
  - Ice Maker Thermistor TH1 Error "T1"
  - Ice Maker Thermistor TH3 Error "T3"
  - Ice Maker Harvest Motor Error "H"
  - Ice Maker Fill Limit Switch Error "FIL"
  - Ice Maker Freeze Switch Error "FRE"
  - Ice Maker Both Switches Error "BS"



242058901 Wiring Diagram  
Frig FDBF 2500++ V4 with Dispenser