



Single Wall Ovens

FFEW3025L S/W/B

30" Electric



Product Dimensions

| | |
|--------|---------|
| Height | 29" |
| Width | 30" |
| Depth | 24-1/2" |

More Easy-To-Use Features

Keep Warm

Timer Lock-Out

Oven Rack Handles

Oven racks are designed with space for you to easily pull out the racks, even when wearing an oven mitt.

Extra-Large Window

Our extra-large oven window lets you easily see what's inside.

Bright Oven Lighting

Our bright lighting makes it easy to see what's inside.

Delay Clean

Set the oven to begin cleaning on your schedule.

Delay Bake

Timed Cook Option

Auto Shut-Off

As an extra safety measure, the oven will automatically shut off after 12 hours.

Attractive Stainless Steel Exterior¹

A.D.A. Compliant²

Sabbath Mode (Star-K® Certified)

Available in:



Stainless (S)

White (W)

Black (B)

¹Select models only.

²When properly installed, meets the appliance standards in the Americans with Disabilities Act and the Architectural Barriers Act Accessibility Guidelines as published by the United States Access Board on June 23, 2004, as amended August 5, 2005.

Signature Features

Ready-Select™ Controls

Easily select options or control cooking temperature with our easy-to-use controls.

Even Baking Technology

Our latest technology ensures even baking every time.

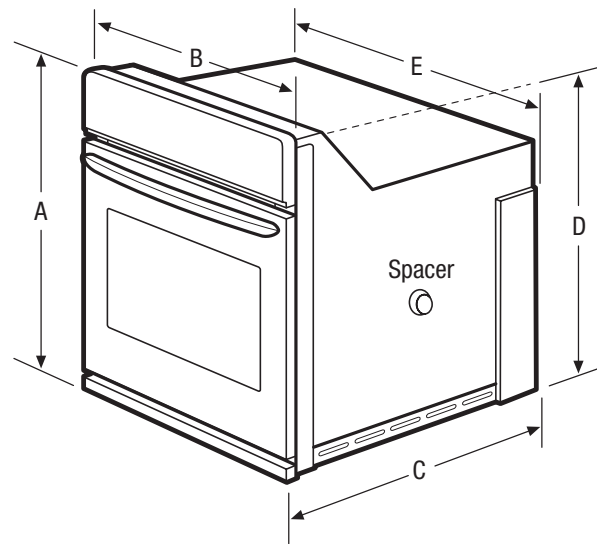
Self-Cleaning

Ovens clean themselves—so you don't have to.

Vari-Broil™ Option

Allows you to choose between two heat levels.

| Features | |
|---|--|
| Oven Control/Timing System | Ready-Select™ |
| Window | Extra-Large |
| Exterior Door Finish | Stainless Steel (S), Color-Coordinated (W/B) |
| Handle Design | Stainless Steel (S), Color-Coordinated (W/B) |
| Oven Cleaning System | Self Clean |
| Oven Controls | |
| Bake/Broil | Yes/ Variable (Hi - Lo) |
| Convection Conversion | |
| Convection Bake/Broil/Roast | |
| Quick Bake Convection | |
| PowerPlus™/Quick Preheat | |
| My Favorite | |
| Chicken Nugget Button | |
| Pizza Button | |
| Keep Warm | Yes |
| Add-a-Minute | |
| Delay Bake | Yes |
| Self-Clean | Yes |
| Rapid/Quick Clean Option | Quick |
| Delay Clean | 2, 3, 4 Hours |
| Kitchen Timer | Yes |
| Timed Cook Option | Yes |
| Control Lock | Yes |
| Auto Oven Shutoff | 12 Hours |
| Oven Lock-Out | |
| Oven Features | |
| Capacity (Cu. Ft.) | 4.2 |
| Convection System | |
| Oven Light | 1 |
| Hidden Bake Element | |
| Rack Configuration | 2 Handle Racks |
| Baking System | Even Baking Technology |
| Broiling System | Vari-Broil™ |
| Bake/Broil Element (Watts) | 2,750 / 3,400 |
| Certifications | |
| A.D.A. Compliant ¹ | Yes |
| Sabbath Mode (Star-K® Certified) | Yes |
| Specifications | |
| Oven Interior (H x W x D) | 16-1/2" x 24-1/8" x 18-1/32" |
| Power Supply Connection Location | Left Bottom Rear |
| Voltage Rating | 240V / 208V / 60Hz |
| Connected Load (kW Rating) @ 240/208 Volts ² | 3.4/2.6 |
| Amps @ 240/208 Volts | 14.5/12.5 |
| Minimum Circuit Required (Amps) | 20 |
| Approved for Under-Counter Installation | Yes |
| Shipping Weight (Approx.) | 175 Lbs. |



NOTE: For planning purposes only. Always consult local and national electric codes. Refer to Product Installation Guide for detailed installation instructions on the web at frigidaire.com.



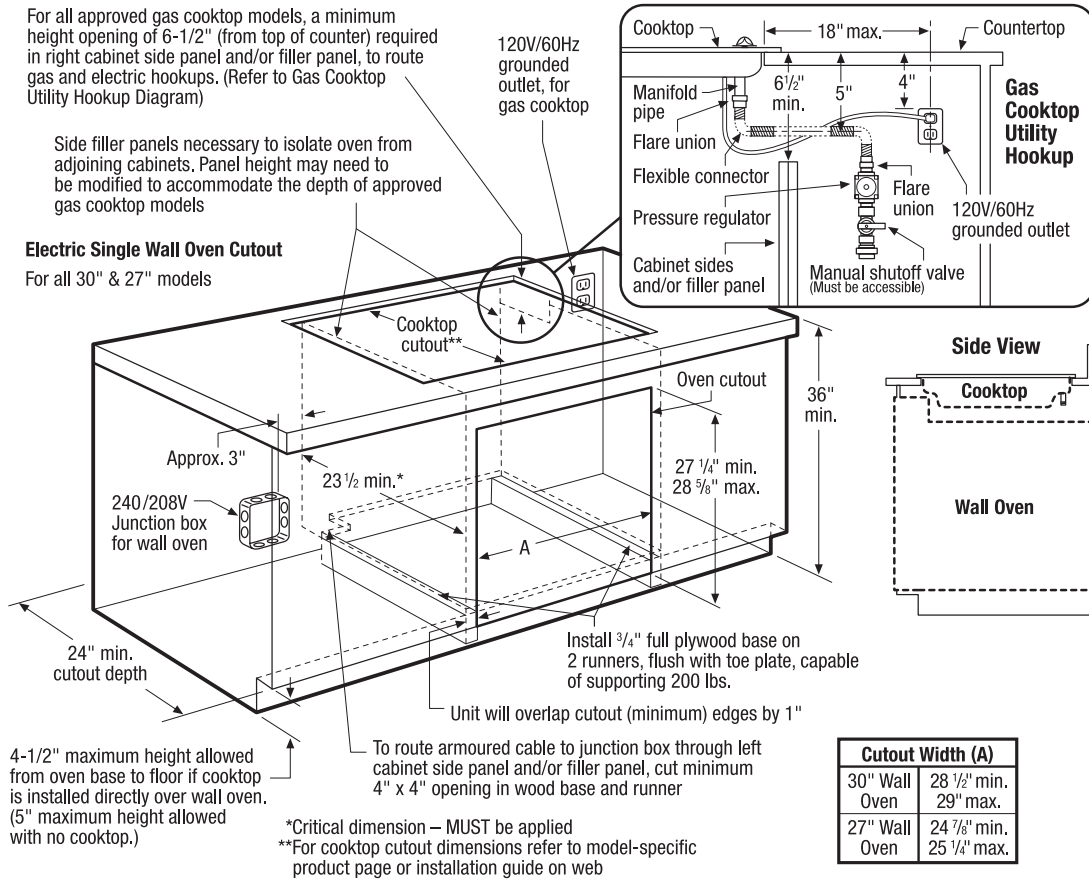
| Product Dimensions | |
|--------------------------|----------|
| A - Height | 29" |
| B - Width | 30" |
| C - Depth | 24-1/2" |
| D - Height (Wrapper) | 27-3/16" |
| E - Width (Wrapper) | 28-1/4" |
| Depth with Door Open 90° | 44-1/2" |

| Cutout Dimensions | |
|-------------------|---------|
| Height (Min.) | 27-1/4" |
| Height (Max.) | 28-5/8" |
| Width (Min.) | 28-1/2" |
| Width (Max.) | 29" |
| Depth (Min.) | 23-1/2" |

¹When properly installed, meets the appliance standards in the Americans with Disabilities Act and the Architectural Barriers Act Accessibility Guidelines as published by the United States Access Board on June 23, 2004, as amended August 5, 2005.

²Single phase 3- or 4-wire cable, 120/240 or 120/208 Volt, 60 Hertz AC only electrical supply with ground required on separate circuit fused on both sides of line.

Accessories information available on the web at frigidaire.com



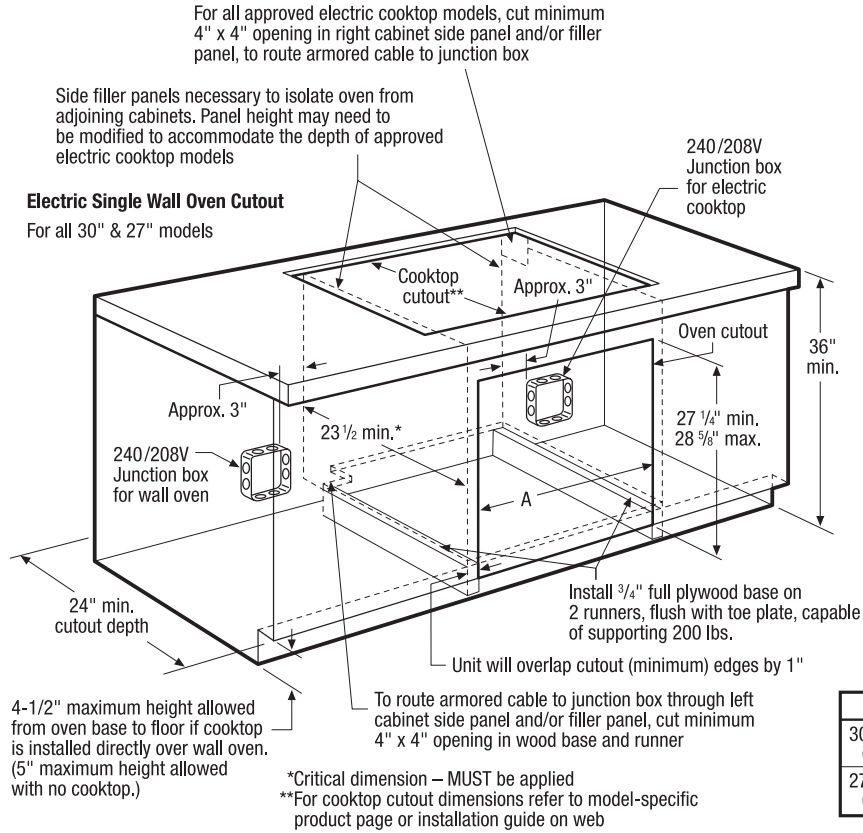
30"/27" Electric Single Wall Oven Under-Counter Installation Specifications

- Single phase 3- or 4-wire cable, 120/240 or 120/208 Volt, 60 Hertz AC only electrical supply with ground required on separate circuit fused on both sides of line.
- For detailed electrical requirements, refer to model-specific product page and installation guide on web.
- Always consult local and national electric codes.
- Minimum 21" clearance for oven door depth when open.
- Minimum 23-1/2" deep cutout dimension is critical for proper installation, to ensure that oven's faceplate will fit flush against cabinet front.
- Full oven base of solid plywood or similar material required, capable of supporting 200 Lbs. Install over two runners and flush with toe plate.
- Base must be level and cabinet front must be square.
- Allow 5" maximum height from oven base to floor, if NO cooktop is installed directly over wall oven.

Gas Cooktop Installation Over 30"/27" Electric Single Wall Oven Specifications

- All Frigidaire® Electric Single Wall Ovens are approved to be used beneath any approved Frigidaire® Gas Cooktop.
- For detailed Gas Cooktop installation, refer to model-specific product page and installation guide on web.
- Side filler panels necessary to isolate oven from adjoining cabinets. Panel height may need to be modified to accommodate the depth of approved gas cooktop models.
 - Minimum height opening of 6-1/2" (from top of counter) required in right cabinet side panel and/or filler panel, to route gas and electric hookups.
 - Allow 4-1/2" maximum height from oven base to floor, if cooktop is installed directly over wall oven.

Note: For planning purposes only. Refer to Product Installation Guide on the web at frigidaire.com for detailed instructions.



30"/27" Electric Single Wall Oven Under-Counter Installation Specifications

- Single phase 3- or 4-wire cable, 120/240 or 120/208 Volt, 60 Hertz AC only electrical supply with ground required on separate circuit fused on both sides of line.
- For detailed electrical requirements, refer to model-specific product page and installation guide on web.
- Always consult local and national electric codes.
- Minimum 21" clearance for oven door depth when open.
- Minimum 23-1/2" deep cutout dimension is critical for proper installation, to ensure that oven's faceplate will fit flush against cabinet front.
- Full oven base of solid plywood or similar material required, capable of supporting 200 Lbs. Install over two runners and flush with toe plate.
- Base must be level and cabinet front must be square.
- Allow 5" maximum height from oven base to floor, if NO cooktop is installed directly over wall oven.

Electric Cooktop Installation Over 30"/27" Electric Single Wall Oven Specifications

- All Frigidaire® Electric Single Wall Ovens are approved to be used beneath any approved Frigidaire® Electric Cooktop.
- For detailed Electric Cooktop installation, refer to model-specific product page and installation guide on web.
- Side filler panels necessary to isolate oven from adjoining cabinets. Panel height may need to be modified to accommodate the depth of approved electric cooktop models.
 - To route armored cable to junction box, cut minimum 4" x 4" opening in right cabinet side panel.
 - Allow 4-1/2" maximum height from oven base to floor, if cooktop is installed directly over wall oven.

Note: For planning purposes only. Refer to Product Installation Guide on the web at frigidaire.com for detailed instructions.