



Slide-In Ranges

FFGS3025L S/W/B

30" Gas



Product Dimensions

Height (Adjustable)	35-7/8" - 36-5/8"
Width	30"
Depth	28-5/16"

More Easy-To-Use Features

Sealed Gas Burners

Enjoy easier cleanup and a burner that stays looking great.

Black Matte Finish with Cast Iron Grates

A premium finish to complement the durable burner grates.

Quick Boil

Boil water faster with our 15,000 BTU burner.

Low Simmer Burner

Perfect for delicate foods and sauces.

Even Baking Technology

Our latest technology ensures even baking every time.

Store-More™ Storage Drawer

Our convenient drawer gives you extra storage space in your kitchen.

Quick Clean

For a quick, light oven cleaning.

Attractive Stainless Steel Exterior¹

LP Gas Conversion Option

A.D.A. Compliant²

Sabbath Mode (Star-K® Certified)

Available in:



Stainless (S)

White (W)

Black (B)

Signature Features

Ready-Select™ Controls

Easily select options or control cooking temperature with our easy-to-use controls.

Continuous Cast Iron Grates

Continuous Grates make it easy to move heavy pots and pans between burners without lifting.

Large Capacity

Our large capacity oven gives you room to cook more at once.

One-Touch Self Clean

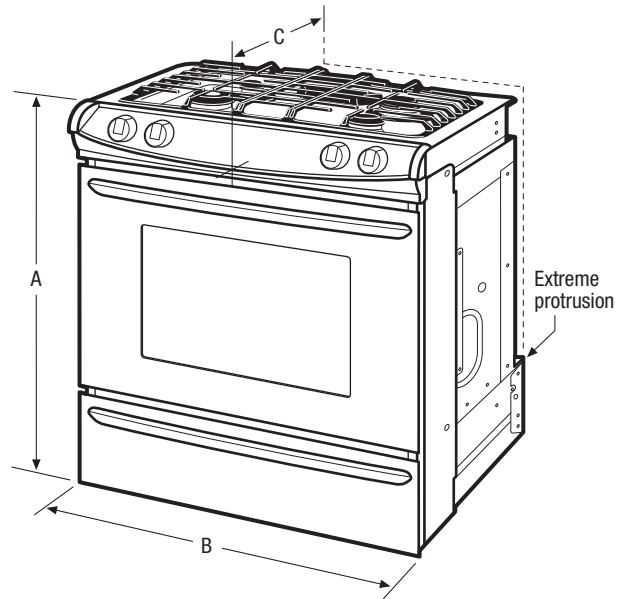
Start the self-cleaning cycle with just the touch of a button.

Burners	BTU
Right Front	15,000
Right Rear	5,000
Left Front	9,500
Left Rear	9,500

¹Select model only.

²When properly installed, meets the appliance standards in the Americans with Disabilities Act and the Architectural Barriers Act Accessibility Guidelines as published by the United States Access Board on June 23, 2004, as amended August 5, 2005.

Features	
Oven Control/Timing System	Ready-Select™ Controls
Surface Type	Deep-Well Black Porcelain (S), Deep-Well Color-Coordinated Porcelain (W/B)
Sealed Gas Burners	Yes
Grates	Continuous Cast Iron with Black Matte Finish
Window	Extra-Large
Exterior Door Finish	Stainless Steel (S), Color-Coordinated (W/B)
Handle Design	Stainless Steel (S), Color-Coordinated (W/B)
Exterior Finish (Side Panels)	Black (S), Color-Coordinated (W/B)
Convection System	
Oven Cleaning System	Self Clean
Drawer Functionality	Storage
Oven Controls	
Bake	Yes
Broil	Low and High
Add-a-Minute	
Delay Bake	Yes
Self Clean	2, 3 Hours (Scroll Thru)
Quick Clean Option	Yes
Delay Clean	Yes
Kitchen Timer	Yes
Timed Cook Option	Yes
Auto Oven Shutoff	12 Hours
Cooktop Features	
Right Front Burner (BTU)	15,000
Right Rear Burner (BTU)	5,000
Left Front Burner (BTU)	9,500
Left Rear Burner (BTU)	9,500
Center Extra Zone Burner (BTU)	
Oven Features	
Capacity (Cu. Ft.)	4.2
Oven Light	1
Rack Configuration	2 Handle Racks
Even Baking System	Yes
Broiling System	Vari-Broil™ Hi/Lo
Bake Burner / Broil Burner (BTU)	18,000/11,500
Optional Accessories	
Rear Filler Kit - White (W) / Black (B)	(W) PN# 901193-9011 (B) PN# 901193-9010
Side Panel Kit - White (W) / Black (B)	(W) PN# 903074-9011 (B) PN# 903074-9010
Backguard Kit - White (W) / Black (B)	(W) PN# 903046-9011 (B) PN# 903046-9010
Side Trim Kit - White (W) / Black (B)	(W) PN# 903075-9011 (B) PN# 903075-9010
Certifications	
A.D.A. Compliant ¹	Yes
Sabbath Mode (Star-K® Certified)	Yes
Specifications	
Oven Interior (H x W x D)	16-1/2" x 24-1/8" x 18-1/32"
Power / Gas Supply Conn. Location	Left / Right Bottom Rear
LP Gas Conversion Kit	Included
Voltage Rating	120V / 60 Hz / 15A
Connected Load (kW Rating) @ 120 Volts ²	.7
Amps @ 120 Volts	6
Shipping Weight (Approx.)	250 Lbs.



NOTE: For planning purposes only. Always consult local and national electric and gas codes. Refer to Product Installation Guide for detailed installation instructions on the web at frigidaire.com.



Product Dimensions	
A - Height (Adjustable)	35-7/8" - 36-5/8"
B - Width	30"
C - Depth	28-5/16"
Depth with Door Open 90°	45-1/2"

Cutout Dimensions	
Height (min.) (max.)	35-7/8" (36-5/8")
Width (min.) (max.)	29-15/16" (30-1/16"*)
Depth (min.) (max.)	21-3/4" (22-1/8"**)

*Cutout and countertop cutout width should match.
**24" with optional backguard installed.

¹When properly installed, meets the appliance standards in the Americans with Disabilities Act and the Architectural Barriers Act Accessibility Guidelines as published by the United States Access Board on June 23, 2004, as amended August 5, 2005.

²For use on adequately wired 120V, dedicated circuit having 2-wire service with a separate ground wire. Appliance must be grounded for safe operation.

Accessories information available on the web at frigidaire.com

FRIGIDAIRE

USA • 10200 David Taylor Drive • Charlotte, NC 28262 • 1-800-FRIGIDAIRE • frigidaire.com
CANADA • 5855 Terry Fox Way • Mississauga, ON L5V 3E4 • 1-800-265-8352 • frigidaire.ca

FFGS3025L 07/10

© 2010 Electrolux Home Products, Inc.

Specifications subject to change.
Printed in the U.S.A.