



Freestanding Range

FFEF4015L W

40" Electric



Product Dimensions

Height (Max.)	47-1/4"
Width	40-1/8"
Depth (Including Handle)	27-3/4"

More Easy-To-Use Features

Store-More™ Storage Drawer
Our convenient drawer gives you extra storage space in your kitchen.

Color-Coordinated Oven Door with Large Window
Stylish look with a large window makes it easy to check on what's cooking without opening the door.

Delay Start Baking Option

Hi/Lo Broil Option
Offers two-position broiling and variable temperature control for more control.

Auto Shut-Off
As an extra safety measure, the oven will automatically shut off after 12 hours.

Timed Cook Option

Electronic Kitchen Timer

Bright Lighting
Our bright lighting makes it easy to see what's inside.

Black Porcelain Drip Bowls

Available in:



White
(W)

Elements	Size	Watts
Right Front	8"	2,600
Right Rear	6"	1,500
Left Front	6"	1,500
Left Rear	8"	2,600

Signature Features

Fits-More™ Side Oven

This range features an extra 1.7 Cu.Ft. Fits-More™ side oven that gives you more space to cook multiple dishes at the same time.

Ready-Select® Controls

Select options or control cooking temperature with our easy-to-use controls.

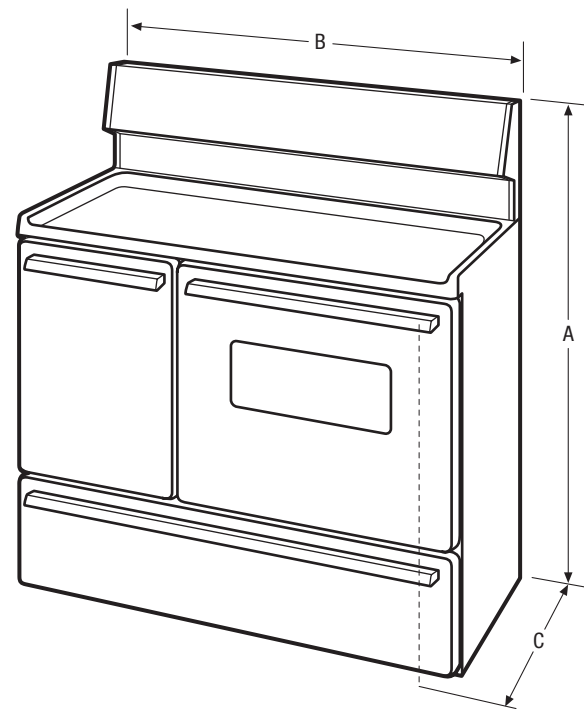
One-Touch Self Clean

Start the self-cleaning cycle with just the touch of a button.

Even Baking Technology

Our latest technology ensures even baking every time.

Features	
Primary Oven Control/ Timing System	Ready-Select® Controls
Surface Type	Color-Coordinated Porcelain
Window	Large
Exterior Door Finish	Color-Coordinated
Handle Design	Black
Exterior Finish (Side Panels)	Color-Coordinated
Convection System	
Primary Oven Cleaning System	Self Clean
Side Compartment/ Drawer Functionality	Oven/Storage
Primary Oven Controls	
Bake	Yes
Broil	Low and High
Add-a-Minute	
Delay Bake	Yes
Self-Clean	Yes
Quick Clean Option	
Delay Clean	
Kitchen Timer	Yes
Timed Cook Option	Yes
Auto Oven Shutoff	12 Hours
Cooktop Features	
Right Front Element (Watts)	8" - 2,600
Right Rear Element (Watts)	6" - 1,500
Left Front Element (Watts)	6" - 1,500
Left Rear Element (Watts)	8" - 2,600
Center Element (Watts)	
Hot Surface Indicator Light	
Coil Cooktop/Drip Bowls	Yes/Black Porcelain
Primary Oven Features	
Capacity (Cu. Ft.)	3.7
Oven Light	1
Hidden Bake Element	
Rack Configuration	2 Standard
Even Baking System	Yes
Broiling System	Vari-Broil™ Hi/Lo
Bake Element/Broil Element (Watts)	3,000/2,750
Auxiliary Oven Features	
Capacity (Cu. Ft.)	1.7
Oven Control	Mechanical
Oven Cleaning System	Manual Clean
Oven Light	
Rack Configuration	1 Standard
Bake Element/Broil Element (Watts)	1,500/1,500
Specifications	
Primary Oven Interior (H x W x D)	15-3/4" x 22-5/8" x 17-3/4"
Auxiliary Oven Interior (H x W x D)	16" x 9-9/16" x 19-1/2"
Power Supply Connection Location	Middle Bottom Rear
Voltage Rating	240V/208V/60Hz
Connected Load (kW Rating) @ 240/208 Volts	12.7/9.5
Amps @ 240/208 Volts	53.0/46.0
Minimum Circuit Required (Amps)	40
Shipping Weight (Approx.)	242 Lbs.



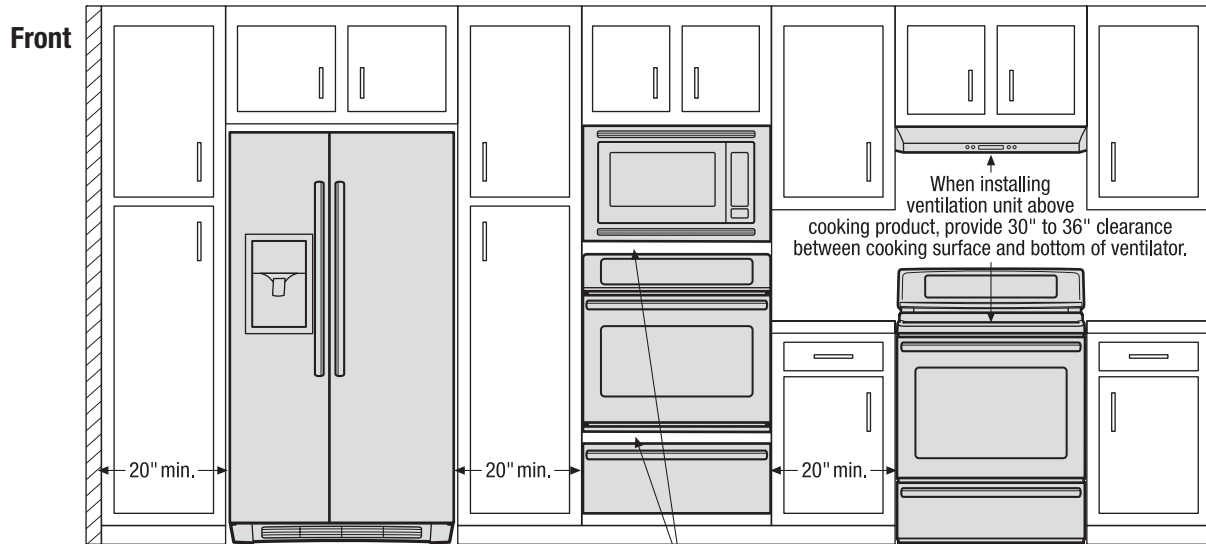
NOTE: For planning purposes only. Always consult local and national electric codes. Refer to Product Installation Guide for detailed installation instructions on the web at frigidaire.com.



Product Dimensions		Cutout Dimensions	
A-Height (Max.)	47-1/4"	Height (Standard)	36"
B-Width	40-1/8"	Width (Min.)	40-1/4"
C-Depth (Including Handle)	27-3/4"	Depth (Min.)	24"
Depth with Door Open 90°	43-3/4"		

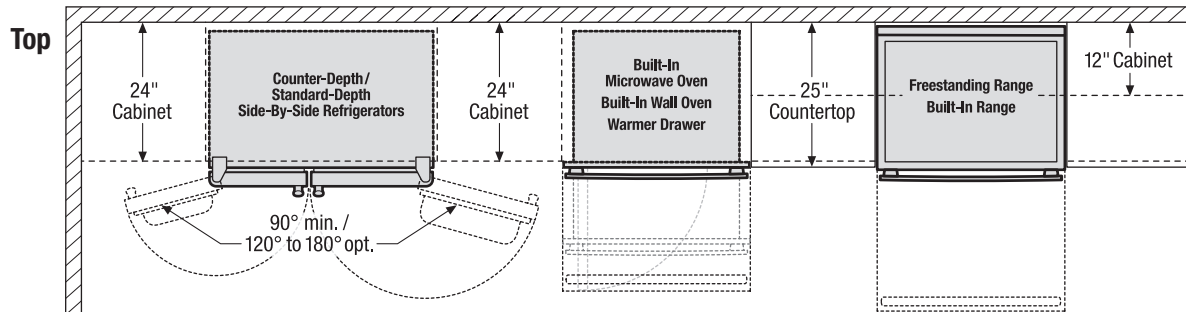
Accessories information available on the web at frigidaire.com

Use these dimensions and clearance instructions for planning purposes only. For detailed installation instructions, refer to installation guide, packed with product, or on the web at frigidaire.com.



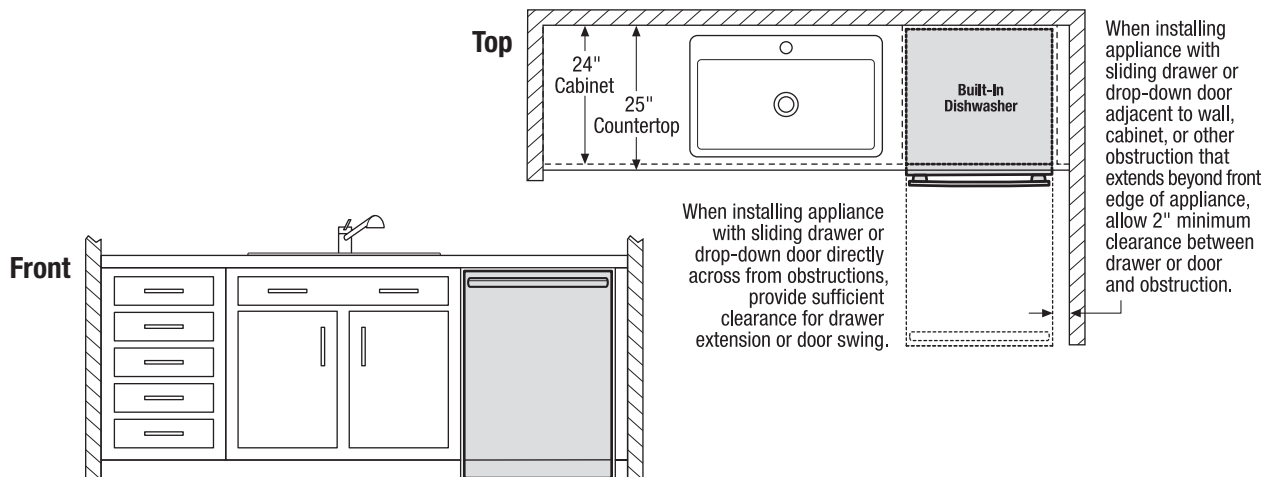
When installing appliances adjacent to each other, 20" minimum distance between each appliance required.

When installing built-in cooking appliances in combination, 2" minimum visible gap between appliance faceplates required.



When installing side-by-side refrigerator adjacent to wall, cabinet or another appliance that extends beyond front edge of unit, 20" minimum clearance recommended to allow for optimum 120° to 180° door swing, providing complete drawer/crisper access and removal.

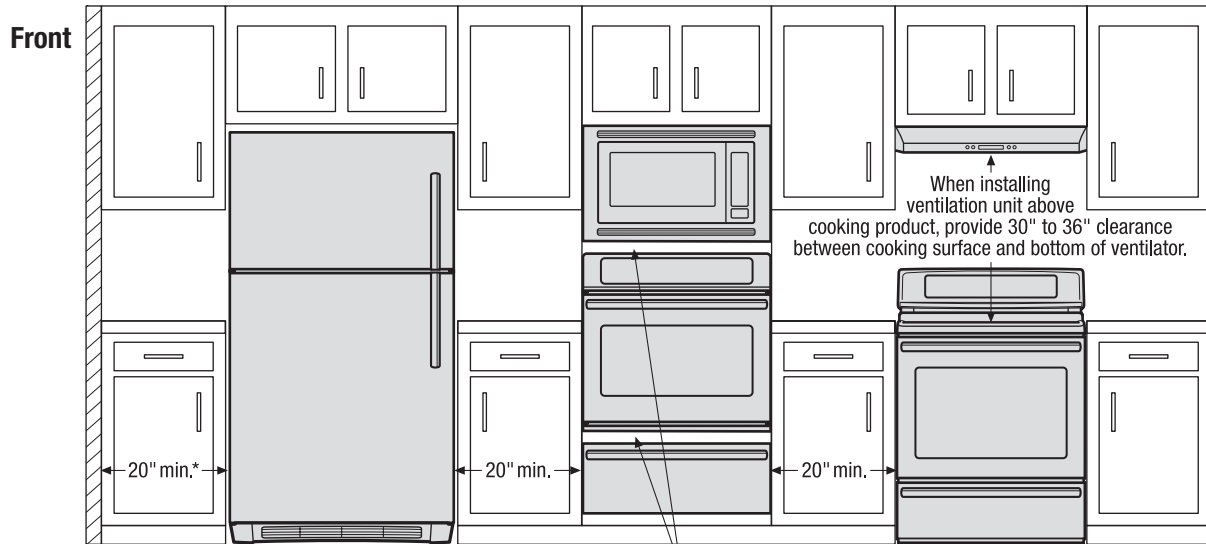
When installing appliance with sliding drawer, swinging or drop-down door directly across from obstructions, provide sufficient clearance for drawer extension or door swings.



When installing appliance with sliding drawer or drop-down door directly across from obstructions, provide sufficient clearance for drawer extension or door swing.

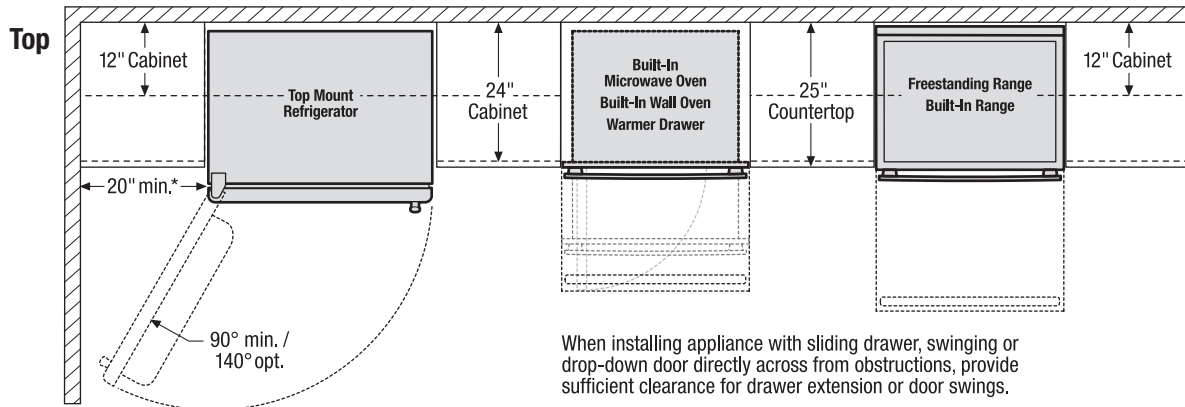
When installing appliance with sliding drawer or drop-down door adjacent to wall, cabinet, or other obstruction that extends beyond front edge of appliance, allow 2" minimum clearance between drawer or door and obstruction.

Use these dimensions and clearance instructions for planning purposes only. For detailed installation instructions, refer to installation guide, packed with product, or on the web at frigidaire.com.



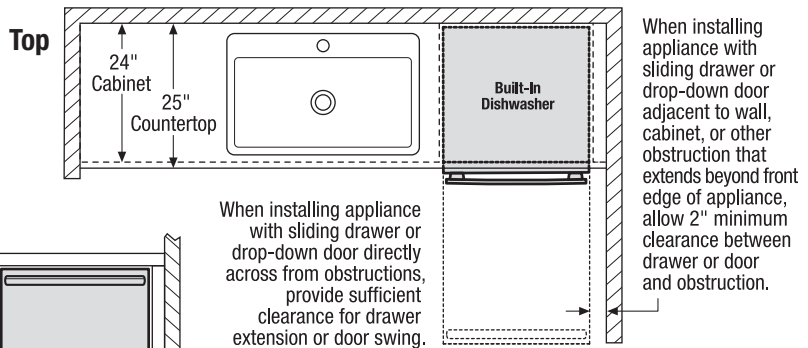
When installing appliances adjacent to each other, 20" minimum distance between each appliance required.

When installing built-in cooking appliances in combination, 2" minimum visible gap between appliance faceplates required.



When installing appliance with sliding drawer, swinging or drop-down door directly across from obstructions, provide sufficient clearance for drawer extension or door swings.

*When installing refrigerator adjacent to wall, cabinet or other appliance that extends beyond front edge of unit, 20" minimum clearance recommended to allow for optimum 140° door swing, providing complete crisper access and removal. (Absolute 3" minimum clearance will ONLY allow for 90° door swing which will provide limited crisper access with restricted removal.)



When installing appliance with sliding drawer or drop-down door directly across from obstructions, provide sufficient clearance for drawer extension or door swing.

