

ELECTRIC COOKTOP INSTALLATION INSTRUCTIONS

Canada



INSTALLATION AND SERVICE MUST BE PERFORMED BY A QUALIFIED INSTALLER.

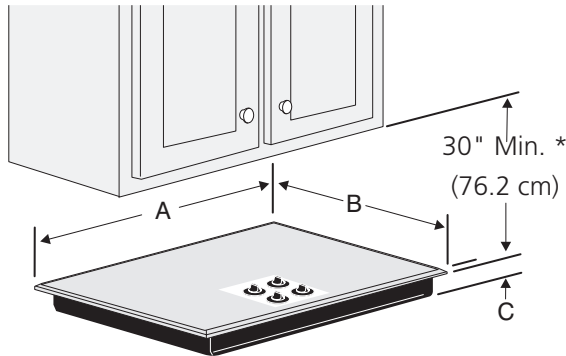
IMPORTANT: SAVE FOR LOCAL ELECTRICAL INSPECTOR'S USE. READ AND SAVE THESE INSTRUCTIONS FOR FUTURE REFERENCE.

⚠ WARNING FOR YOUR SAFETY: Do not store or use gasoline or other flammable vapors and liquids in the vicinity of this or any other appliance.

United States



Cooktop Dimensions



Cooktop Cutout Dimensions

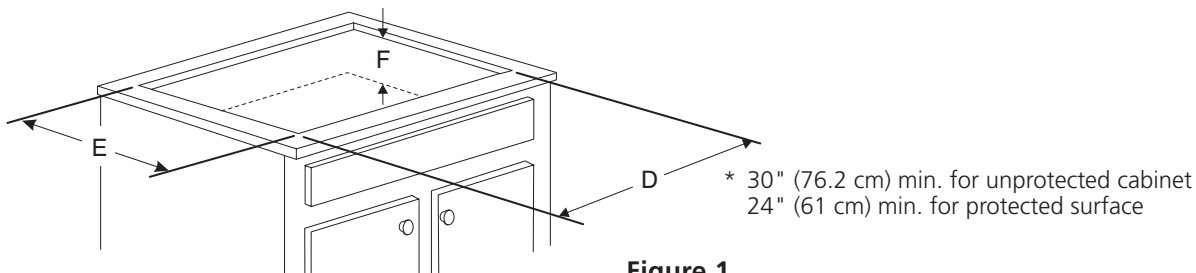


Figure 1

IMPORTANT INSTALLATION-INFORMATION

- All electric cooktops run off a single phase, three-wire or four-wire cable, 240/208 volt, 60 hertz, AC only electrical supply with ground.
- Please note minimum distances between cooktop and adjacent and overhead cabinetry is 30" (76.2cm).

MODEL	A. LENGTH	B. WIDTH	C. DEPTH	CUTOUT DIMENSIONS				F. DEPTH BELOW COOKTOP*
				D. LENGTH		E. WIDTH		
				MIN.	MAX.	MIN.	MAX.	
26" Coil Elements	25 ³ / ₄ (65.4)	21 ⁹ / ₁₆ (54.8)	3 ¹ / ₂ (8.9)	25 (63.5)	25 (63.5)	20 ¹ / ₂ (52.1)	20 ¹ / ₂ (52.1)	5 ¹ / ₂ (14)
30" Ceramic Glass	30 ³ / ₈ (77.8)	21 ³ / ₈ (54.4)	2 ⁵ / ₈ (6.7)	29 ⁵ / ₈ (75.2)	29 ⁷ / ₈ (75.9)	20 ¹ / ₄ (51.4)	20 ¹ / ₂ (52.1)	5 (12.7)
30" Coil Elements	30 (76.2)	21 ¹ / ₂ (54.6)	3 (7.6)	26 ³ / ₄ (67.9)	28 ³ / ₄ (71.8)	19 ¹ / ₈ (48.6)	20 (50.8)	5 (12.7)
32" Ceramic Glass	32 ¹ / ₄ (81.9)	20 ¹ / ₄ (51.4)	3 ³ / ₄ (9.5)	31 (78.7)	31 ¹ / ₄ (79.4)	19 (48.3)	19 ¹ / ₄ (48.9)	5 ³ / ₄ (14.6)
32" Coil Elements	32 ¹ / ₄ (81.9)	20 ¹ / ₄ (51.4)	3 ³ / ₄ (9.5)	31 (78.7)	31 ¹ / ₄ (79.4)	19 (48.3)	19 ¹ / ₄ (48.9)	5 ³ / ₄ (14.6)
36" Ceramic Glass	36 ³ / ₄ (93.5)	21 ³ / ₈ (54.4)	2 ⁵ / ₈ (6.7)	35 ⁵ / ₈ (90.5)	36 ¹ / ₈ (91.8)	20 ¹ / ₄ (51.4)	20 ¹ / ₂ (52.1)	5 (12.7)
36" Coil Elements (36" X 18")	36 (91.4)	18 (45.7)	3 ⁷ / ₈ (9.8)	34 ¹ / ₄ (87)	34 ³ / ₈ (87.3)	16 ⁵ / ₈ (42.2)	16 ³ / ₄ (42.5)	5 ⁷ / ₈ (14.9)
36" Coil Elements (36" x 21 ¹ / ₂ ")	36 (91.4)	21 ¹ / ₂ (54.6)	3 (7.6)	32 ³ / ₄ (83.2)	34 ¹ / ₄ (87)	19 (48.3)	20 (50.8)	5 (12.7)

All dimensions are in inches (cm).

Only some models are available in Canada.

* Allow 2" (5 cm) space below cooktop to clear the electric cable and allow for installation of the junction box on the wall at the back of the cooktop.

Printed in China

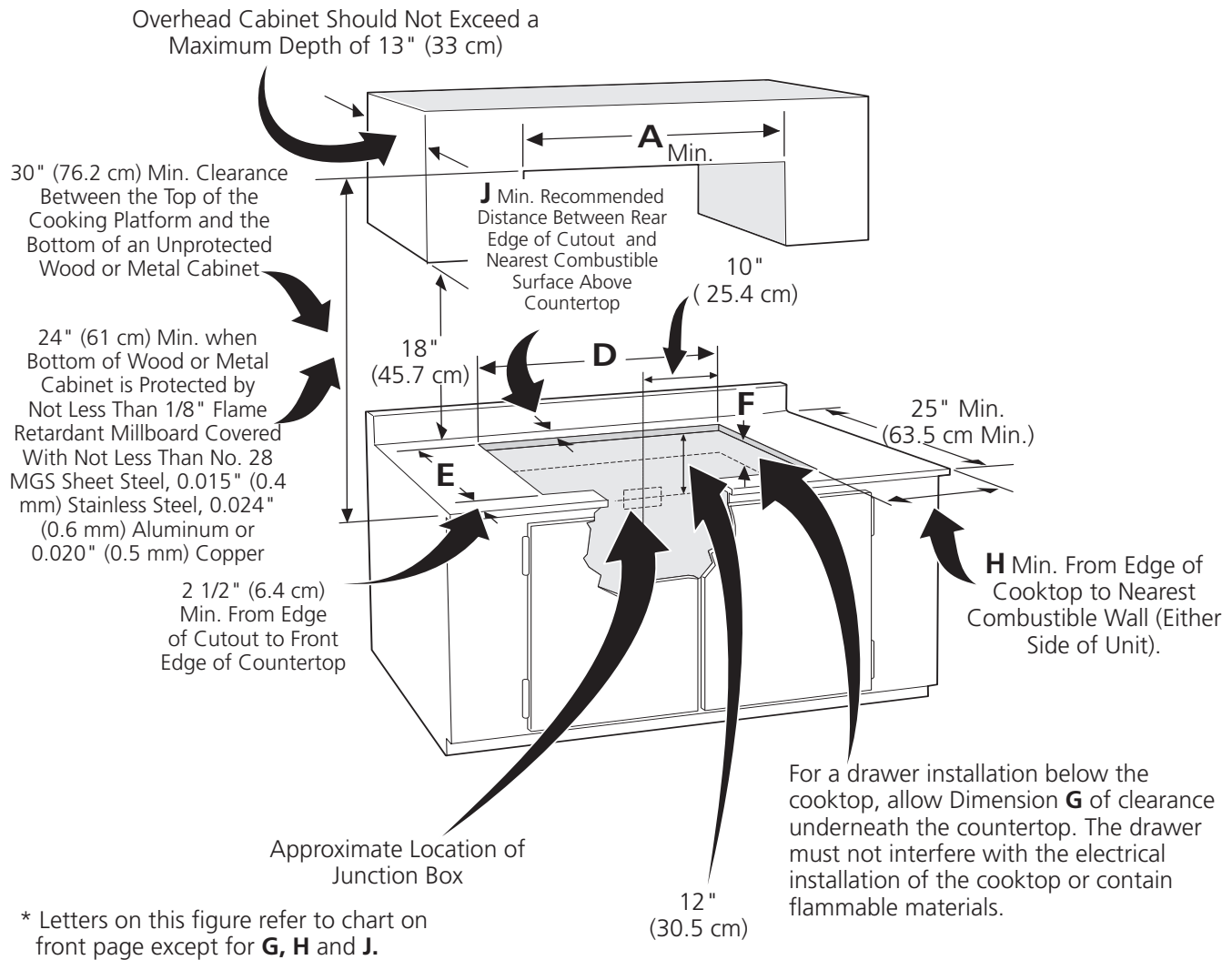
P/N 318205403 (0904) Rev. B

English – pages 1-8

Español – pages 9-16

Français – pages 17-24

ELECTRIC COOKTOP INSTALLATION INSTRUCTIONS



CAUTION To eliminate the risk of burns or fire by reaching over heated surfaces, cabinet storage space located above the cooktop should be avoided. If cabinet storage is provided, risk can be reduced by installing a range hood that projects horizontally a minimum of 5" (12.7 cm) beyond the bottom of the cabinets.

MODEL	G	H	J
26" Coil Elements	3 1/2" (8.9 cm)	3" (7.6 cm)	2" (5.1 cm)
30" Ceramic-Glass	4" (10.2 cm)	7 1/2" (19.1 cm)	2" (5.1 cm)
30" Coil Elements	6" (15.2 cm)	7 1/2" (19.1 cm)	2 1/4" (5.7 cm)
32" Ceramic-Glass	4" (10.2 cm)	7 1/2" (19.1 cm)	2" (5.1 cm)
32" Coil Elements	6" (15.2 cm)	7 1/2" (19.1 cm)	2 1/4" (5.7 cm)
36" Ceramic-Glass	4" (10.2 cm)	7 1/2" (19.1 cm)	2" (5.1 cm)
36" Coil Elements (36" X 18")	6" (15.2 cm)	3" (7.6 cm)	3" (7.6 cm)
36" Coil Elements (36" X 21 1/2")	6" (15.2 cm)	7 1/2" (19.1 cm)	2 1/4" (5.7 cm)

Figure 2 – COUNTERTOP CUTOUT OPENING

Important Notes to the Installer

1. Read all instructions contained in these installation instructions before installing the cooktop.
2. Remove all packing material before connecting the electrical supply to the cooktop.
3. Observe all governing codes and ordinances.
4. Be sure to leave these instructions with the consumer.

Important Note to the Consumer

Keep these instructions with your owner's guide for future reference.

ELECTRIC COOKTOP INSTALLATION INSTRUCTIONS

IMPORTANT SAFETY INSTRUCTIONS

- **Be sure your cooktop is installed and grounded properly by a qualified installer or service technician.**
- **These cooktops must be electrically grounded in accordance with local codes or, in their absence, with the National Electrical Code ANSI/NFPA No. 70—latest edition in the United States, or with CSA Standard C22.1, Canadian Electrical Code, Part 1, in Canada.**

⚠ WARNING The electrical power to the cooktop must be shut off while line connections are being made. Failure to do so could result in serious injury or death.

Provide Electrical Connection

Install the junction box under the cabinet and run 120/240 or 120/208 Volt, AC wire from the main circuit panel. DO NOT connect the wire to the circuit panel at this time.

Electrical Requirements

This appliance must be supplied with the proper voltage and frequency, and connected to an individual, properly grounded branch circuit, protected by a circuit breaker or fuse. A circuit breaker or fuse is required by your appliance. **The circuit breaker or fuse amperage recommended for your appliance is 40A or 50A.**

Observe all governing codes and local ordinances

1. A 3-wire or 4-wire single phase 120/240 or 120/208 Volt, 60 Hz AC only electrical supply is required on a separate circuit fused on both sides of the line (red and black wires). A time-delay fuse or circuit breaker is recommended. DO NOT fuse neutral (white wire). Only certain cooktop models may be installed over certain built-in electric oven models. Approved cooktops and built-in ovens are listed by the MFG ID number (see the insert sheet included in the literature package).

NOTE: Wire sizes and connections must conform with the fuse size and rating of the appliance in accordance with the American National Electrical Code ANSI/NFPA No. 70-latest edition, or with Canadian CSA Standard C22.1, Canadian Electrical Code, Part 1, and local codes and ordinances.

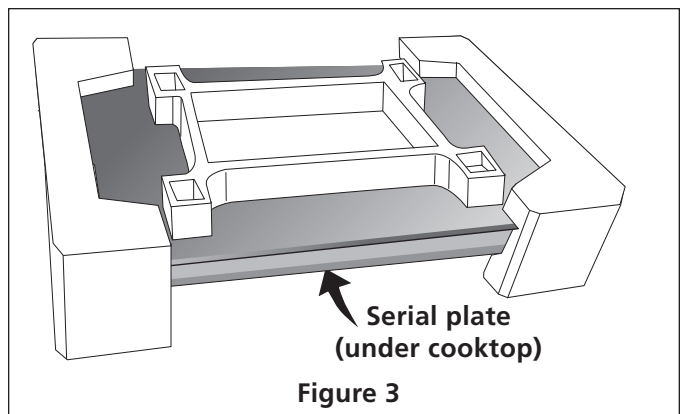
⚠ WARNING An extension cord should not be used with this appliance. Such use may result in a fire, electrical shock, or other personal injury.

2. The flexible armored cable extending from the appliance should be connected directly to the junction box. The junction box should be located as shown in Figure 1 or Figure 2 and with as much slack as possible remaining in the cable between the box and the appliance, so it can be moved if servicing is ever necessary.
3. A suitable strain relief must be provided to attach the flexible armored cable to the junction box.

Unpacking Instructions

(Models with Ceramic-Glass Smoothtop Only)

1. Leave corner supports on cooktop until completion of Electrical Connection.
2. Be sure the bottle of cleaner conditioner packed in the literature bag is left where the user can find it easily. It is important that the ceramic-glass smoothtop be pretreated before use.



Electrical Connection

It is the responsibility and obligation of the consumer to contact a qualified installer to assure that the electrical installation is adequate and is in conformance with the National Electrical Code ANSI/NFPA No. 70-latest edition, or with CSA Standard C22.1, Canadian Electrical Code, Part 1, and local codes and ordinances.

⚠ WARNING Risk of electrical shock (Failure to heed this warning may result in electrocution or other serious injury.) This appliance is equipped with copper lead wire. If connection is made to aluminum house wiring, use only connectors that are approved for joining copper and aluminum wire in accordance with the National Electrical Code and local code and ordinances. When installing connectors having screws which bear directly on the steel and/or aluminum flexible conduit, do not tighten screws sufficiently to damage the flexible conduit. Do not over bend or excessively distort flexible conduit to avoid separation of convolutions en exposure of internal wires.

Electrical ground is required on this appliance.

ELECTRIC COOKTOP INSTALLATION INSTRUCTIONS

This appliance is manufactured with a frame connected green (or bare copper) ground wire.

⚠ WARNING DO NOT ground to a gas supply pipe. DO NOT connect to electrical power supply until appliance is permanently grounded. Connect the ground wire before turning on the power.

If your appliance is not equipped with a white neutral conductor:

Connect only to a 3-wire, 120/240V power supply; the neutral conductor is not required for the operation of the appliance. The potential at the power supply electrical connections shall be 150V to ground or less.

NOTE TO ELECTRICIAN: The armored cable leads supplied with the appliance are UL-recognized for connection to larger gauge household wiring. The insulation of the leads is rated at temperatures much higher than temperature rating of household wiring. The current carrying capacity of the conductor is governed by the temperature rating of the insulation around the wire, rather than the wire gauge alone.

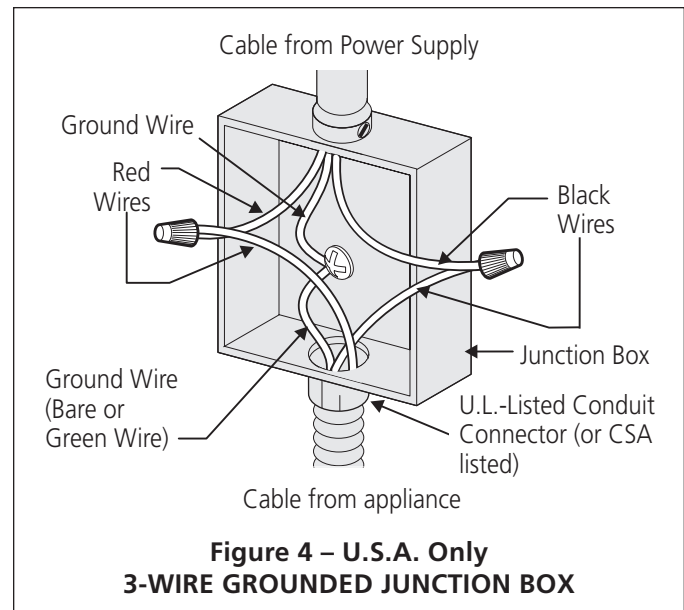
RISK OF ELECTRIC SHOCK: Grounding through the neutral conductor is prohibited for new branch-circuit installations (1996 NEC); mobile homes; recreational vehicles; or in Canada, or in an area where local codes prohibit grounding through the neutral connector.

⚠ WARNING (If your appliance is equipped with a white neutral conductor.) This appliance is manufactured with a white neutral power supply and a frame connected copper wire. The frame is grounded by connection of grounding lead to neutral lead at the termination of the conduit, if used in USA, in a new branch circuit installation (1996 NEC), mobile home, recreational vehicles, where local code do not permit grounding through the neutral (white) wire or in Canada, disconnect the white and green lead from each other and use ground lead to ground unit in accordance with local codes, connect neutral lead to branch circuit-neutral conductor in usual manner see Figure 6 or 7. If your appliance is to be connected to a 3 wire grounded junction box (US only), where local code permit connecting the appliance-grounding conductor to the neutral (white) see Figure 4 or 5.

Where local codes permit connecting the appliance-grounding conductor to the neutral (white) wire (USA only):

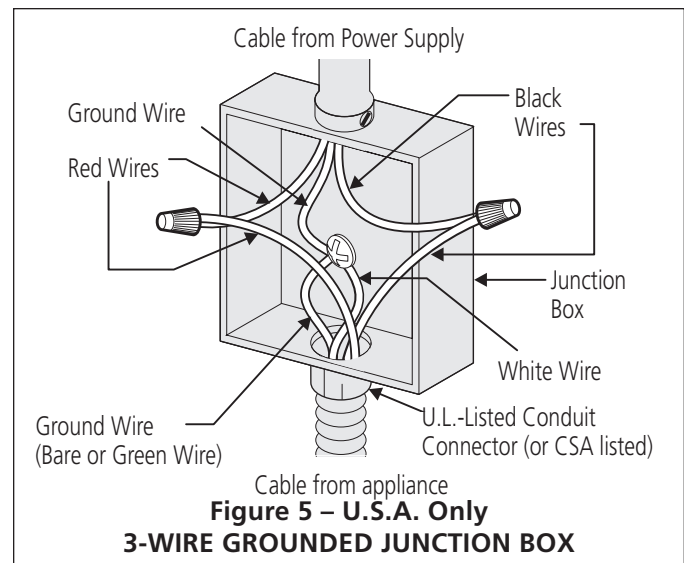
Your appliance has a 3-wire cable to be connected to a 3-wire grounded junction box (see figure 4):

1. Disconnect the power supply.
2. In the circuit breaker, fuse box or junction box: Connect appliance and power supply cable wires as shown in figure 4.



Your appliance has a 4-wire cable to be connected to a 3-wire grounded junction box (see figure 5):

1. Disconnect the power supply.
2. In the junction box: Connect appliance and power supply cable wires as shown in Figure 5.

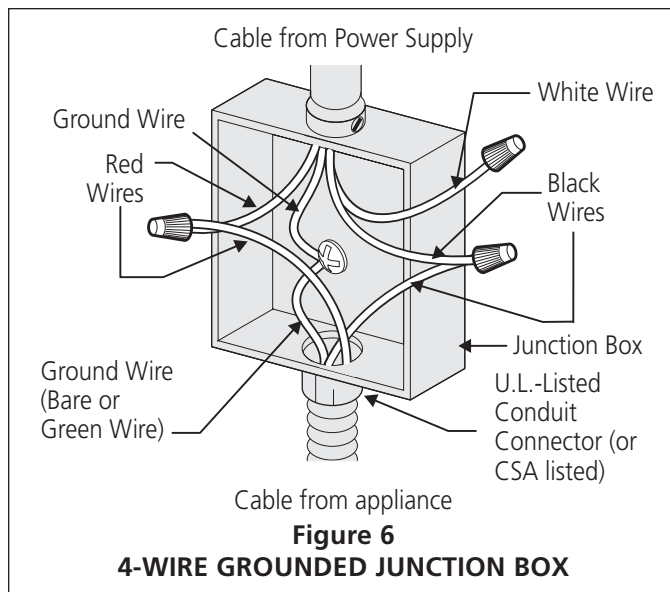


ELECTRIC COOKTOP INSTALLATION INSTRUCTIONS

If the appliance is used in a new branch circuit installation (1996 NEC), mobile home, recreational vehicle, or where local codes **DO NOT** permit grounding through the neutral (white) wire, the appliance frame **MUST NOT** be connected to the neutral wire of the 4-wire electrical system.

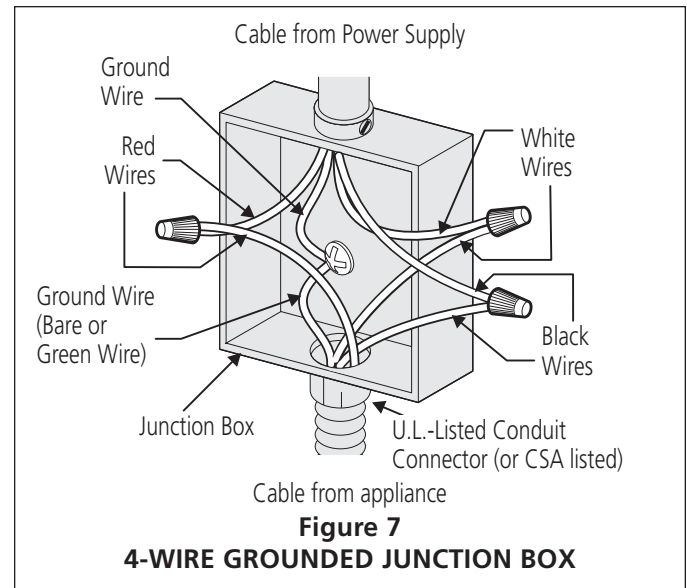
Your appliance has a 3-wire cable to be connected to a 4-wire grounded junction box (see figure 6):

1. Disconnect the power supply.
2. Separate the green (or bare copper) and white appliance cable wires.
3. Cap the white wire from the power supply cable if a 3-wire appliance cable is supplied.
4. In the circuit breaker, fuse box or junction box: Connect appliance and power supply cable wires as shown in figure 6.



Your appliance has a 4-wire cable to be connected to a 4-wire grounded junction box (see figure 7):

1. Disconnect the power supply.
2. In the junction box: Connect appliance and power supply cable wires as shown in Figure 7.

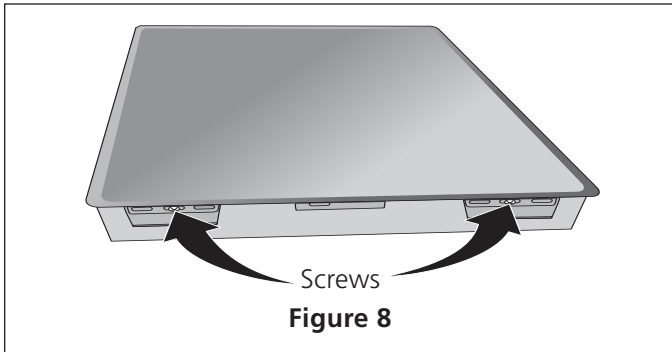


ELECTRIC COOKTOP INSTALLATION INSTRUCTIONS

Cooktop Installation

1. All Ceramic-Glass Cooktops

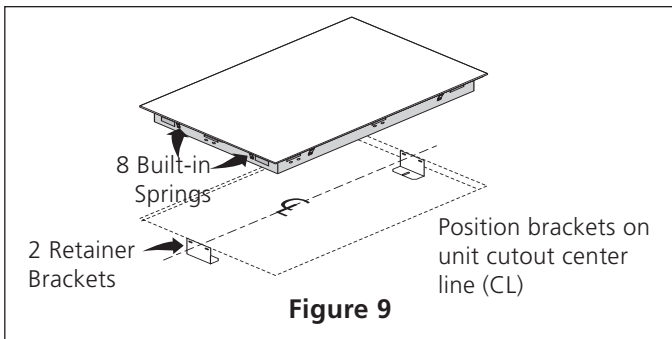
Visually inspect the cooktop for damage. Also make sure all cooktop screws are tight (see Figure 8).



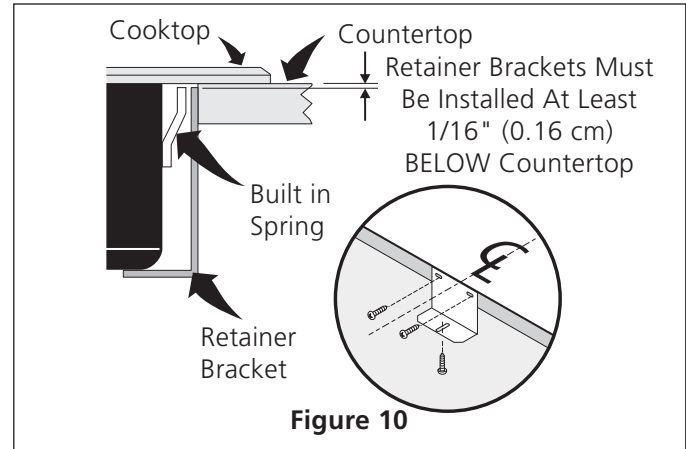
Set the cooktop into the countertop cutout.

NOTE: Do not use caulking compound; cooktop should be removable for service when needed.

⚠ WARNING Do not remove the built in springs on the edges of the cooktop. These springs center the cooktop in the space provided. The cooktop must be centered to prevent excess heat buildup that may result in heat damage or fire (see Figure 9).

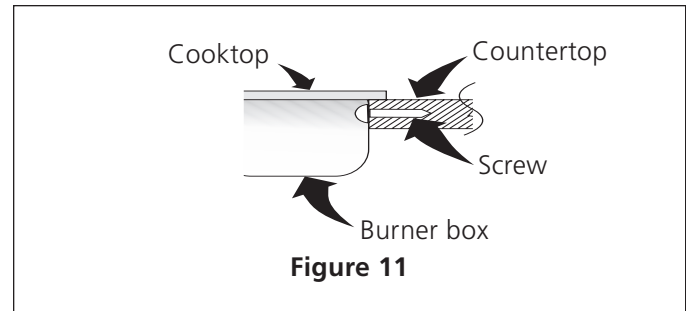


The retainer brackets **MUST** be installed, to meet local codes or, in their absence, with the National Electrical Code ANSI/NFPA No. 70—latest edition, or with CSA Standard C22.1, Canadian Electrical Code, Part 1 (see Figure 10).



2. Models: 26" and 36" (36" X 18") Coil Elements Cooktops

Set the cooktop into the countertop cutout. Lift the cooktop and fasten the ends of the box to the counter with wood screws (figure 11). Lower the cooktop. Align the knobs on the shafts and press down with even pressure.



ELECTRIC COOKTOP INSTALLATION INSTRUCTIONS

3. Models: 32" Coil Elements Cooktops

1. Place cooktop into countertop opening and center unit in cutout.
2. Remove all surface units and drip bowls.
3. Unit clamp down information. Once unit is installed in counter opening, you must clamp unit down as shown in figure 12.
4. Put back all surface units and drip bowls.
5. Make electrical connections as outlined in "Electrical Connection" section.

Reach down through surface unit openings and install the four hold down retainers with screws as shown. Be certain cooking top is firmly retained to counter top.

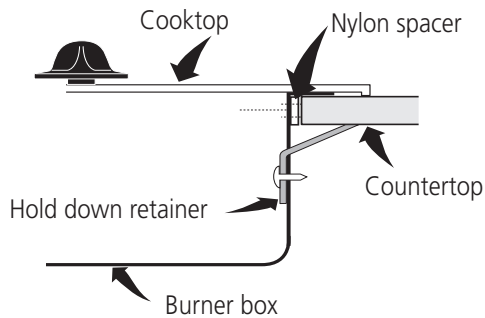


Figure 12

4. Models: 30" and 36" (36" X 21½") Coil Elements Cooktops

- These cooktops are designed to fit various cutout sizes. The minimum and maximum cutout openings are shown in figure 1.
- If cooktop is to be used in new installation, use minimum cutout dimensions in figure 1.
- Attach cooktop to cabinet using wood screws through holes in vertical walls of burner box.
- **If cooktop is to be installed as a replacement in an existing countertop opening (not exceeding maximum cutout dimensions as shown in figure 1), the following steps must be taken:**
 1. Insert 4 screws and installation spacers through holes in vertical walls of burner box (see figure 13).
 2. Place cooktop into countertop opening and center unit in cutout.
 3. Tighten each screw finger tight or until spacers are snug against burner box walls.

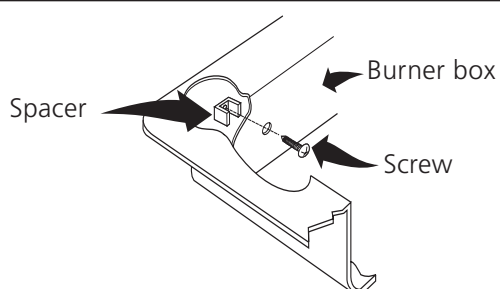


Figure 13

4. Prior to tightening installation screws, exert downward pressure on burner box to assure flanges on burner box rest firmly on counter. Tighten all screws evenly.
5. Unit clamp down information. Once unit is installed in counter opening, you must clamp unit down as shown in figure 14.
6. Make electrical connections as outlined in "Electrical Connection" Section.

To clamp down, insert bracket with offset side of angle into slot on each side of unit. The screw should then be run through bracket and against bottom of counter. Tighten until draws down.

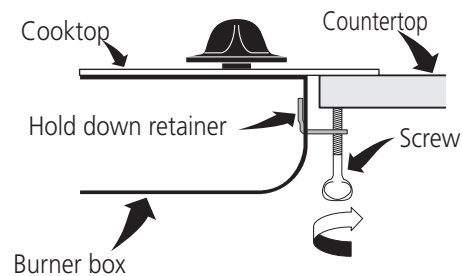


Figure 14

Checking Operation

Refer to the [Owner's Guide](#) for operation.

CAUTION Do not touch cooktop glass or elements. They may be hot enough to burn.

Model and Serial Number Location

The serial plate is located under the cooktop or in the burner box and can be seen by lifting up the main top of unit.

When ordering parts for or making inquiries about your cooktop, always be sure to include the model and serial numbers and a lot number or letter from the serial plate on your cooktop.

Before You Call for Service

Read the Avoid Service Checklist and operating instructions in your [Owner's Guide](#). It may save you time and expense. The list includes common occurrences that are not the result of defective workmanship or materials in this appliance.

Refer to the warranty in your [Owner's Guide](#) for our service phone number and address. Please call or write if you have inquiries about your product and/or need to order parts.

ELECTRIC COOKTOP INSTALLATION INSTRUCTIONS

For typical under counter installation of an electric built-in oven see Figure below.

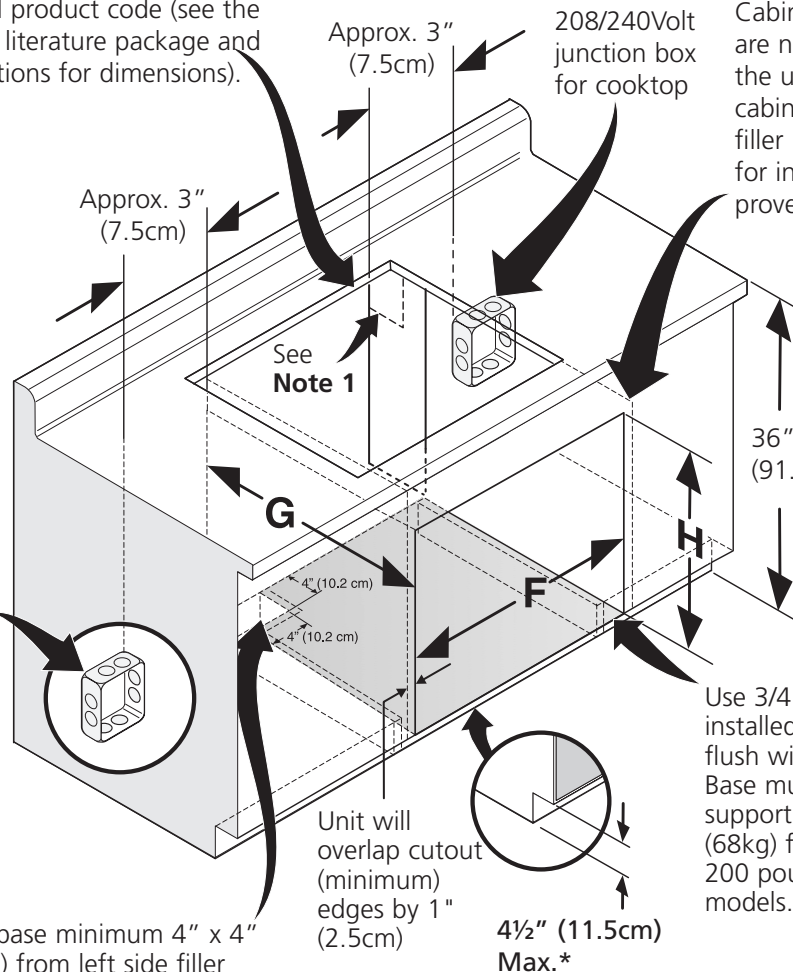
Only certain cooktop models may be installed over certain built-in electric oven models. Approved cooktops and built-in ovens are listed by the MFG ID number and product code (see the insert sheet included in the literature package and cooktop installation instructions for dimensions).

Note 1: 4" x 4" (10.2cm X 10.2cm) opening to route armored cable from cooktop to junction box.

Cabinet side filler panels are necessary to isolate the unit from adjoining cabinets. Cabinet side filler height should allow for installation of approved cooktop models

⚠ WARNING

To reduce the risk of personal injury and tipping of the wall oven, the wall oven must be secured to the cabinet(s) by mounting brackets.



208/240 Volt junction box for built-in oven.

36" Min.
(91.4cm) Min.

Use 3/4" (1.9cm) plywood, installed on two runners, flush with toe plate. Base must be capable of supporting 150 pounds (68kg) for 27" models and 200 pounds (90kg) for 30" models.

Cut an opening in wood base minimum 4" x 4" (10.2 X 10.2cm), 2" (5cm) from left side filler panel, to route armored cable to junction box.

Unit will overlap cutout (minimum) edges by 1" (2.5cm)

4 1/2" (11.5cm) Max.*

* If no cooktop is installed directly over the oven unit, 5" (12.7cm) maximum is allowed above the floor.

CUTOUT DIMENSIONS

	F. WIDTH	G. DEPTH	H. HEIGHT
27" (68.6cm) Wall Oven	24 7/8" (63.2cm) Min. 25 1/4" (64.1cm) Max.	23 1/2" (59.7cm) Min.	27 1/4" (69.2cm) Min. 28 1/4" (71.8cm) Max.
30" (76.2cm) Wall Oven	28 1/2" (72.4cm) Min. 29" (73.7cm) Max.	23 1/2" (59.7cm) Min.	27 1/4" (69.2cm) Min. 28 1/4" (71.8cm) Max.

TYPICAL UNDER COUNTER INSTALLATION OF A SINGLE ELECTRIC BUILT-IN OVEN WITH AN ELECTRIC COOKTOP MOUNTED ABOVE

INSTRUCCIONES PARA LA INSTALACION DE LA ESTUFA ELECTRICA

Canadá



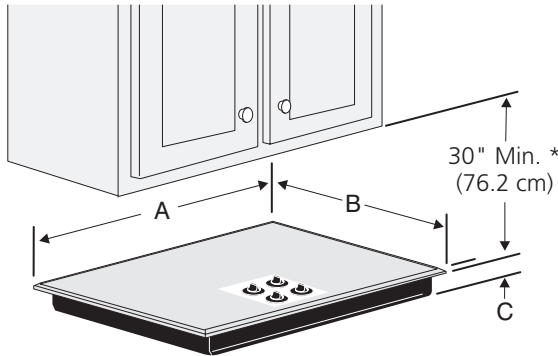
LA INSTALACIÓN Y EL SERVICIO DEBEN SER EFECTUADOS POR UN INSTALADOR CALIFICADO.
IMPORTANTE: GUARDE ESTAS INSTRUCCIONES PARA USO DEL INSPECTOR LOCAL DE ELECTRICIDAD.
LEA Y GUARDE ESTAS INSTRUCCIONES PARA REFERENCIA FUTURA.

Estados Unidos



⚠️ ADVERTENCIA PARA SU SEGURIDAD: No amanece ni utilice gasolina u otros vapores y líquidos inflamables en la proximidad de este o de cualquier otro artefacto.

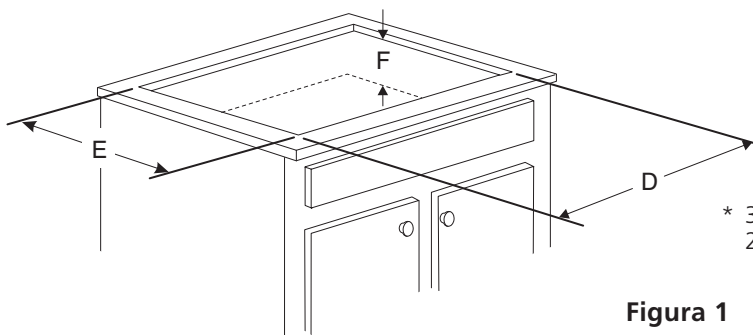
Dimensiones de la Estufa



INFORMACIÓN IMPORTANTE PARA LA INSTALACIÓN

- Todas las estufas eléctricas funcionan con una alimentación eléctrica con puesta a tierra de fase singular, 3 o 4 alambres, 240/208 voltios, 60 hertz y sólo AC.
- Favor de notar que las distancias mínimas entre la superficie de la estufa y los gabinetes adyacentes y por encima son de 30" (76.2 cm).

Dimensiones del Recortado de la Estufa



* 30" (76.2 cm) mín. para un gabinete desprotegido.
 24" (61 cm) mín. para una superficie protegida.

Figura 1

MODELO	A. LONGITUD	B. ANCHURA	C. PROFUNDIDAD	DIMENSIONES DE RECORTADO				F. PROFUNDIDAD DEBAJO DE LA ESTUFA*
				D. LONGITUD		E. ANCHURA		
				MIN.	MAX.	MIN.	MAX.	
26" Resistencias espirales	25 ³ / ₄ (65.4)	21 ⁹ / ₁₆ (54.8)	3 ¹ / ₂ (8.9)	25 (63.5)	25 (63.5)	20 ¹ / ₂ (52.1)	20 ¹ / ₂ (52.1)	5 ¹ / ₂ (14)
30" Vidrio-cerámica	30 ³ / ₈ (77.8)	21 ³ / ₈ (54.4)	2 ⁵ / ₈ (6.7)	29 ⁵ / ₈ (75.2)	29 ⁷ / ₈ (75.9)	20 ¹ / ₄ (51.4)	20 ¹ / ₂ (52.1)	5 (12.7)
30" Resistencias espirales	30 (76.2)	21 ¹ / ₂ (54.6)	3 (7.6)	26 ³ / ₄ (67.9)	28 ¹ / ₄ (71.8)	19 ¹ / ₈ (48.6)	20 (50.8)	5 (12.7)
32" Vidrio-cerámica	32 ¹ / ₄ (81.9)	20 ¹ / ₄ (51.4)	3 ³ / ₄ (9.5)	31 (78.7)	31 ¹ / ₄ (79.4)	19 (48.3)	19 ¹ / ₄ (48.9)	5 ³ / ₄ (14.6)
32" Resistencias espirales	32 ¹ / ₄ (81.9)	20 ¹ / ₄ (51.4)	3 ³ / ₄ (9.5)	31 (78.7)	31 ¹ / ₄ (79.4)	19 (48.3)	19 ¹ / ₄ (48.9)	5 ³ / ₄ (14.6)
36" Vidrio-cerámica	36 ³ / ₄ (93.5)	21 ³ / ₈ (54.4)	2 ⁵ / ₈ (6.7)	35 ⁵ / ₈ (90.5)	36 ¹ / ₈ (91.8)	20 ¹ / ₄ (51.4)	20 ¹ / ₂ (52.1)	5 (12.7)
36" Resistencias espirales (36" X 18")	36 (91.4)	18 (45.7)	3 ⁷ / ₈ (9.8)	34 ¹ / ₄ (87)	34 ³ / ₈ (87.3)	16 ⁵ / ₈ (42.2)	16 ³ / ₄ (42.5)	5 ⁷ / ₈ (14.9)
36" Resistencias espirales (36" x 21 ¹ / ₂ ")	36 (91.4)	21 ¹ / ₂ (54.6)	3 (7.6)	32 ³ / ₄ (83.2)	34 ¹ / ₄ (87)	19 (48.3)	20 (50.8)	5 (12.7)

Todas las dimensiones se dan en pulgadas (cm).

Solamente algunos modelos están disponibles en Canadá.

* Deje 2" (5 cm) de hueco debajo de la estufa para espacio para el cable eléctrico y la instalación de la caja de empalmes en la pared detrás de la estufa.

Impreso en China

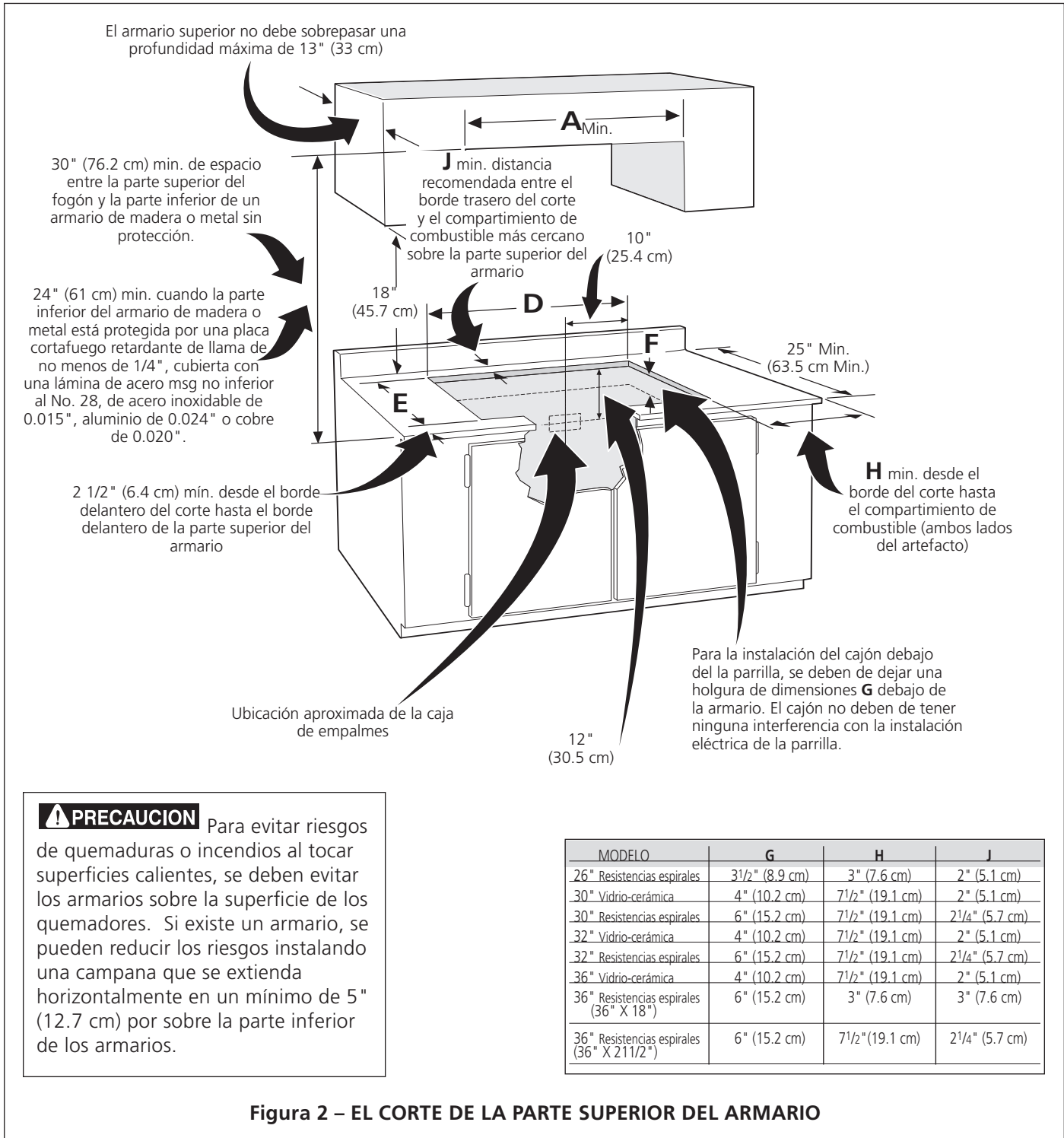
P/N 318205403 (0904) Rev. B

English – pages 1-8

Español – pages 9-16

Français – pages 17-24

INSTRUCCIONES PARA LA INSTALACION DE LA ESTUFA ELECTRICA



Notas importantes para el instalador

1. Lea todas las instrucciones contenidas en este manual antes de instalar la estufa.
2. Saque todo el material usado en el embalaje de la estufa antes de conectar el suministro eléctrico a la estufa.
3. Observe todos los códigos y reglamentos pertinentes.
4. Deje estas instrucciones con el consumidor.

Nota importante al consumidor

Conserve estas instrucciones y el Manual del usuario para referencia futura.

INSTRUCCIONES IMPORTANTES DE SEGURIDAD

- Asegúrese de que su estufa sea instalada y puesta a tierra de forma apropiada por un instalador calificado o por un técnico de servicio.
- Esta estufa debe ser eléctricamente puesta a tierra de acuerdo con los códigos locales o, en su ausencia, con el Código Eléctrico Nacional ANSI/NFPA No. 70 – última edición en los Estados Unidos, o el Código Eléctrico Canadiense CSA Standard C22.1, Part 1 en Canadá.

⚠ ADVERTENCIA La alimentación eléctrica a la estufa debería apagarse mientras se hacen las conexiones de línea. El no hacerlo podría resultar en daños serios o la muerte.

Provea conexión eléctrica

Instale la caja de empalmes debajo del armario y provea un cable de 120/240 o 120/208 Voltios, AC al panel de circuitos del aparato. NO conecte la cable al panel de circuitos en este momento.

Requisitos eléctricos

Se debe proveer el voltaje y la frecuencia apropiados a este electrodoméstico, y conectarse a un circuito individual correctamente puesto a tierra, protegido por un interruptor o un fusible. **El amperaje del disyuntor o del fusible recomendado para su aplicación es 40A o 50A**

Cumpla con todos los códigos en vigor y todos los reglamentos locales.

1. Para el suministro eléctrico solamente se necesita corriente con frecuencia de 60 Hz AC y fase única de 120/240 o 120/208 voltios suministrada por cable de 3 o de 4 alambres en un circuito separado con fusibles en ambos lados de la línea (se recomienda un fusible de tiempo retardado o un cortacircuitos). NO ponga un fusible en el hilo neutro. El tamaño del fusible no tiene que exceder la capacidad del circuito necesario para el electrodoméstico y la cual se especifica en la placa.

NOTA: Los tamaños y las conexiones del alambre deben conformarse con el tamaño del fusible y el grado de la aplicación de acuerdo con el código Eléctrico Nacional Americano ANSI/NFPA No. 70- última edición, o con el estándar CSA canadiense C22.1 , código eléctrico canadiense, parte 1, y códigos y ordenanzas locales.

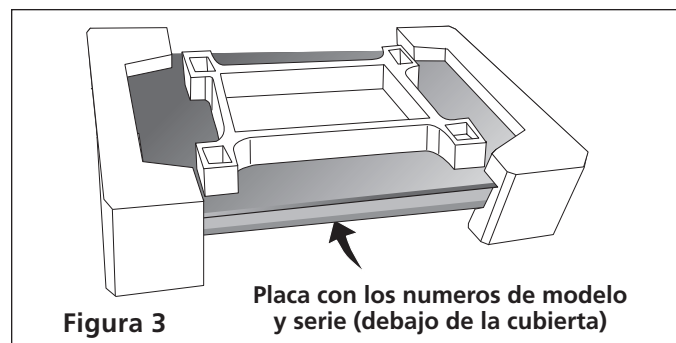
⚠ ADVERTENCIA No se debe usar una alargadora para enchufar este electrodoméstico. Esto podría resultar en un incendio, un choque eléctrico u otro tipo de daño personal.

2. Este electrodoméstico debe conectarse a la caja de fusibles (o de cortacircuitos), por medio de un cable blindado flexible o un cable con forro no metálico. El cable blindado flexible que va desde el electrodoméstico debe de estar conectado directamente a la caja de empalme. La caja de empalme debe de estar localizada en el lugar que se indica en la Figura 2, dejando tanto exceso de cable como sea posible entre la caja y el electrodoméstico, de forma que así el electrodoméstico se pueda mover fácilmente, si fuera necesario para hacer una reparación.
3. Se debe de usar un conector que reduzca la tirantez de una forma adecuada para unir el cable blindado flexible a la caja de empalme.

Instrucciones de desembalaje

(Modelos con superficies de vidrio-cerámica solamente)

1. Deje los soportes de las esquinas en la estufa hasta la terminación de la Conexión Eléctrica.
2. Asegúrese que la botella de limpiador ubicada en la empaquete de literatura esta situada en un lugar donde puede encontrarse fácilmente. Es importante que la parte lisa en cerámico vidriado sea tratada antes de la utilización.



Conexión eléctrica

El usuario tiene la responsabilidad personal y obligación de utilizar un instalador calificado, para asegurar que la instalación eléctrica está hecha de forma adecuada y está conforme con el Código Eléctrico Nacional ANSI/NFPA No. 70-última edición en los Estados Unidos, o el Código Eléctrico Canadiense CSA Standard C22.1, Part 1, en Canadá.

INSTRUCCIONES PARA LA INSTALACION DE LA ESTUFA ELECTRICA

⚠ ADVERTENCIA Riesgo de choque eléctrico (El no prestar atención a esta advertencia puede resultar en electrocución u otras lesiones graves.) Este electrodoméstico está equipado con alambre de cobre. Si se va a conectar con cableado de aluminio del hogar, utilizar únicamente conectores que están aprobados para unir cobre y aluminio de acuerdo al Código Nacional Eléctrico (NEC por sus siglas en inglés) y leyes y códigos locales. Al instalar conectores con tornillos que empujen directamente contra el acero y/o aluminio del conducto flexible, no apretar los tornillos suficientemente que dañen el conducto flexible. No doblar de más o deformar el conducto flexible para evitar separar el espiral y descubrir los alambres internos.

En este electrodoméstico se necesita un cable de puesta a tierra.

Este electrodoméstico se fabrica con un alambre de puesta a tierra verde (o de cobre sin forro) conectado con el marco.

⚠ ADVERTENCIA NO conecte el alambre puesto a tierra a una tubería de suministro de gas. NO conecte el suministro de energía eléctrica hasta que el electrodoméstico haya sido permanentemente puesto a tierra. Conecte el alambre de puesta a tierra antes de enchufar por primera vez el electrodoméstico.

Si su electrodoméstico no está equipado con un conductor neutro blanco:

Conectar únicamente a un suministro eléctrico 120/240V de 3 cables; el conductor neutro no es requerido para la operación del electrodoméstico. El potencial en las conexiones del suministro eléctrico debe de ser de 150V a tierra o menos.

NOTA AL ELECTRICISTA: Los conductores de cable blindados provistos con este artefacto son aprobados por UL para la conexión al alambrado de casa de un calibre mayor. El aislamiento de los conductores está calificado para temperaturas más altas que las del alambrado de la casa. La capacidad de corriente del conductor está gobernada por la calificación de la temperatura del aislamiento alrededor del alambre en vez de solamente el calibre del alambre.

RIESGO DE DESCARGA ELÉCTRICA: La conexión a tierra a través del conductor neutro esta prohibido para las instalaciones donde se usa derivaciones de la instalación principal (1996 NEC); casas rodantes; vehículo recreativos; o en Canadá, o en algún lugar donde los códigos locales prohíban la conexión a tierra a través del conector neutral.

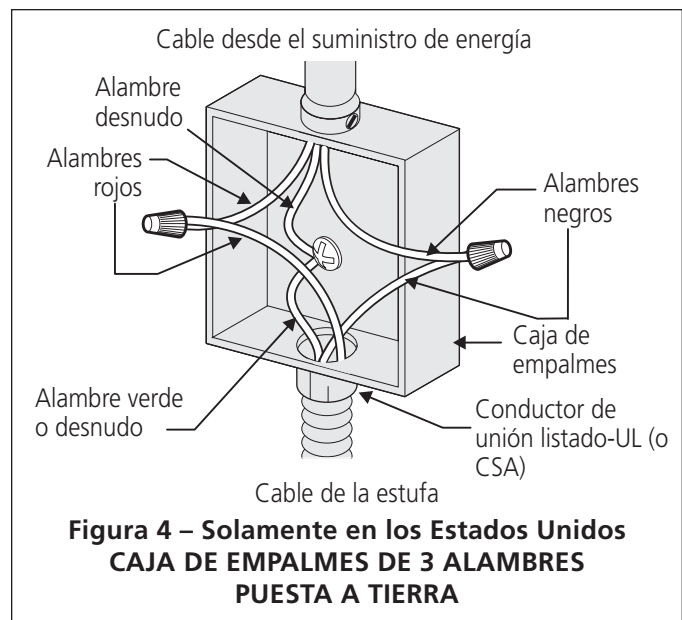
⚠ ADVERTENCIA (Si su electrodoméstico está equipado con un conductor neutro blanco.)

Este electrodoméstico está fabricado con un suministro eléctrico neutro blanco y un alambre de cobre conectado al armazón. El armazón esta puesto a tierra por un enlace de la conexión a tierra con la conexión del neutro al final de la línea eléctrica, si es usado en los estados unidos una nueva instalación de circuito de bifurcación (1996 NEC), casa rodante, vehículos recreacionales, o donde los códigos locales no permitan poner a tierra mediante el neutro (blanco) o en Canadá, desconectar la conexión blanca de la verde y utilizar la conexión a tierra para poner a tierra la unidad de acuerdo a los códigos locales, conectar el neutro al circuito de bifurcación- conductor neutro de manera usual. Ver Figuras 6 o 7. Si su electrodoméstico va a ser conectado a una caja de conexión puesta a tierra de 3 cables (en los estados unidos solamente), donde los códigos locales permitan conectar el conductor de poner a tierra-electrodoméstico con el neutro (blanco) ver Figura 4 o 5.

Donde los códigos locales permitan conectar el conductor de puesta a tierra del electrodoméstico al neutral (blanco) (Solamente en los Estados Unidos)

Si su cocina tiene un cable de 3 hilos que debe conectarse a una caja de juntas con conexión a tierra de 3 hilos (ver figura 4):

1. Desconecte el suministro eléctrico.
2. En el caja de juntas: conectar el aparato y los cables residenciales como se muestra en la figura 4.

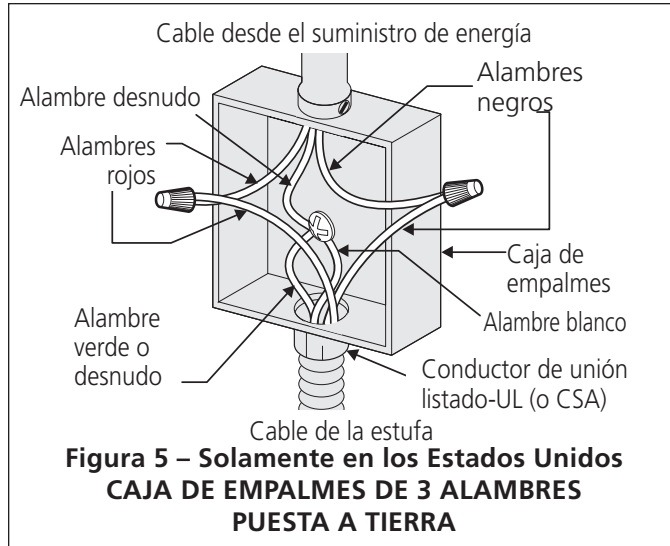


**Figura 4 – Solamente en los Estados Unidos
CAJA DE EMPALMES DE 3 ALAMBRES
PUESTA A TIERRA**

INSTRUCCIONES PARA LA INSTALACION DE LA ESTUFA ELECTRICA

Si su cocina tiene un cable de 4 hilos que debe conectarse a una caja de juntas con conexión a tierra de 3 hilos (ver figura 5):

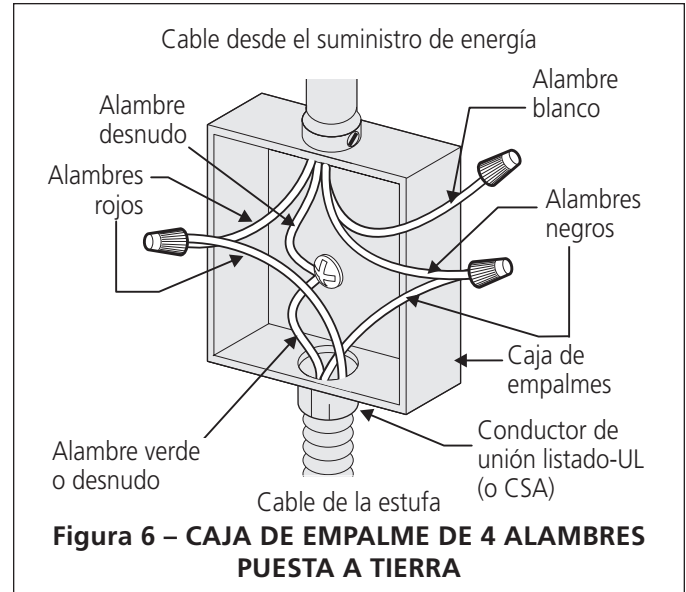
1. Desconecte el suministro eléctrico.
2. En el caja de juntas: conectar el aparato y los cables residenciales como se muestra en la figura 5.



Si el aparato se usa en una instalación de circuito de ramal nuevo (1996 NEC), en una casa rodante, en un vehículo para recreación o si los códigos locales NO permiten la conexión a tierra a través del cable neutral (blanco), el armazón del electrodoméstico NO TIENE QUE estar conectado al alambre neutro del sistema eléctrico de 4 alambres.

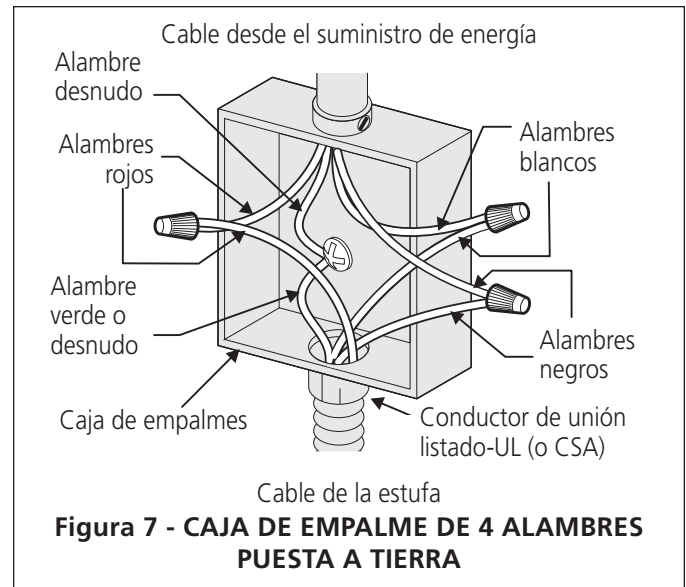
Si su cocina tiene un cable de 3 hilos que debe conectarse a una caja de juntas con conexión a tierra de 4 hilos (ver figura 6):

1. Desconecte el suministro eléctrico
2. Separe el alambre verde (o cobre desnudo) y el alambre blanco del electrodoméstico.
3. En el caja de juntas: conectar el aparato y los cables residenciales como se muestra en la figura 6.



Si su cocina tiene un cable de 4 hilos que debe conectarse a una caja de juntas con conexión a tierra de 4 hilos (ver figura 7):

1. Desconecte el suministro eléctrico.
2. En el caja de juntas: conectar el aparato y los cables residenciales como se muestra en la figura 7.

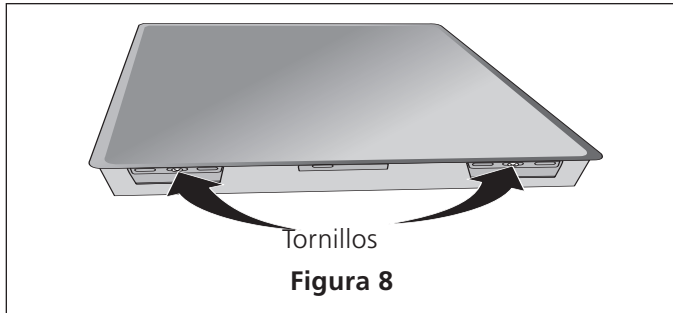


INSTRUCCIONES PARA LA INSTALACION DE LA ESTUFA ELECTRICA

Instalación de la estufa

1. Modelos con superficies de Vidiro-cerámica

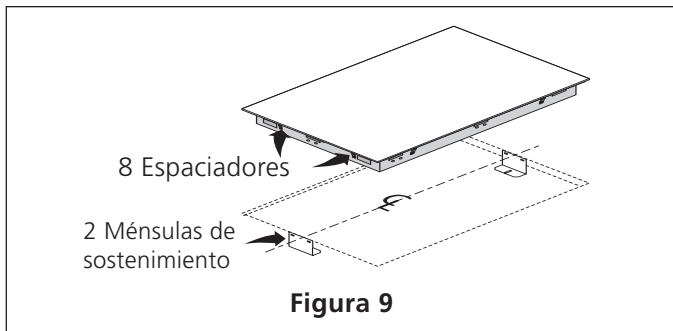
Visualmente inspeccione la estufa para daños. Verifique además que todos los tornillos de la estufa estén bien ajustados (Figura 8).



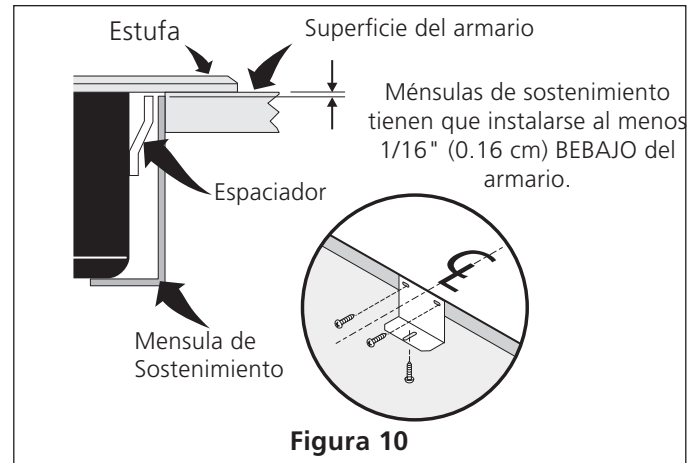
Fije la estufa en el recortado del armario.

NOTA: No utilice compuesto de retaque; la estufa debe poder retirarse para las reparaciones cuando sea necesario.

⚠ ADVERTENCIA No quite los espaciadores de nilón en los bordes de la estufa. Estos espaciadores mantienen la estufa en el centro del espacio provisto. La estufa debe estar centrado para evitar una acumulación excesiva de calor que puede resultar en daños por calor o incendio (Figura 9).

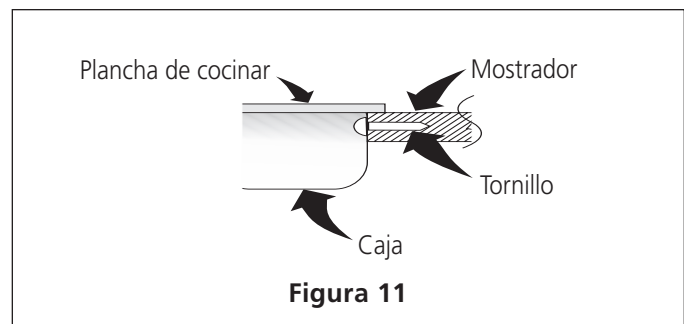


Las ménsulas de sostenimiento TIENEN QUE instalarse, a satisfacción de los códigos locales o, en su ausencia, con el Código Eléctrico Nacional ANSI/NFPA No. 70-última edición, o con la Norma CSA C22.1, Código Eléctrico Canadiense, Parte 1 (Figura 10).



2. Modelos: 26" y 36" (36"X18") con resistencias espirales

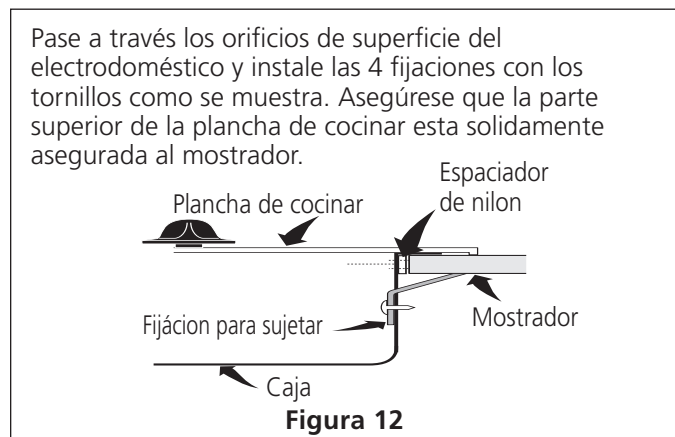
Fije la estufa en el recortado del armario. Levante la plancha de cocinar y fije ls extremidades de la caja al mostrador con clavos de rosca (figura 11). Baje la plancha de cocinar. Alinee los botones sobre los ejes y apriete en línea recta con igual presión.



INSTRUCCIONES PARA LA INSTALACION DE LA ESTUFA ELECTRICA

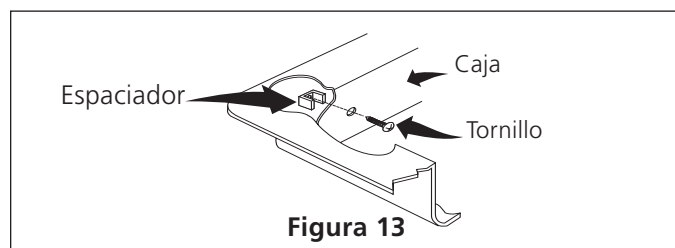
3. Modelos: 32" con resistencias espirales

1. Ubique la plancha de cocinar en la abertura del mostrador y centre el electrodoméstico en el hueco.
2. Retire todas las unidades de superficie y las graseras.
3. Informaciones para fijar el electrodoméstico. Una vez que el electrodoméstico esta instalado en la abertura del mostrador, debe de fijarlo como se indicada en la figura 12.
4. Vuelva a poner todas las unidades de superficie y las graseras.
5. Haga las conexiones eléctricas como se indicada en la parte "Conexión eléctrica".

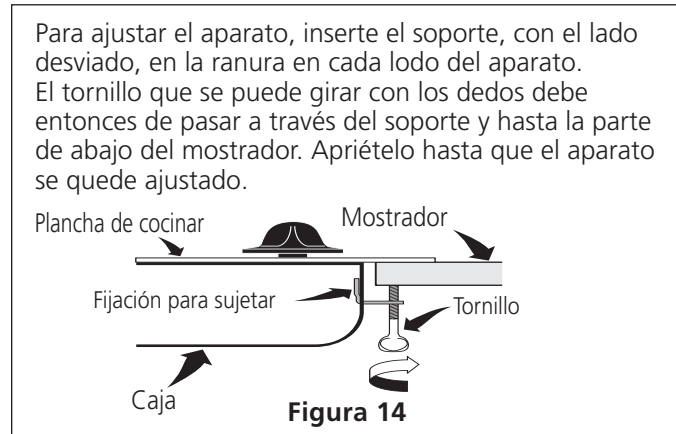


4. Modelos: 30" y 36" (36 X 21½") con espirales

- La plancha para cocinar está diseñada para ajustarse a varios tamaños de cortes. El tamaño mínimo y máximo de la abertura se muestran en la figura 1.
 - Si la plancha de cocinar va a ser usada en una instalación nueva, use las dimensiones mínimas que se muestran en la figura 1.
 - Fije la plancha de cocinar a la mesa usando tornillos para madera a travez de los huecos de las paredes verticales de la base rectangular.
- Si la plancha de cocinar va a ser instalada en una abertura existente (que no exceda las dimensiones máximas indicadas en la figura 1), deben seguirse los siguientes pasos:**
1. Inserte 4 tornillos y espaciadores de instalación a travez da las perforaciones en las paredes vericales de la base rectangular como se muestra en la figura 13.
 2. Coloque y centre la plancha de cocinar entre la abertura de la mesa.
 3. Apriete cada tornillo hasta que ajuste o hasta que los espaciadores ajusten contra las paredes de la base rectangular.



4. Antes de apretar los tornillos de instalacion, presiones hacia abajo la base rectangular hasta asegurar que las pestañas de la base estén apoyadas firmemente.
5. Informacion para sujetar el aparato. Una vez que el aparato está instalado en la apertura del mostrador, se tiene que sujetar como se va a indicar en la figura 14.
6. Haga las conexiones eléctricas como se muestra en la sección "Conexión eléctrica".



Revisión de operación

Consulte el [Manual del Usuario](#) para las instrucciones de funcionamiento.

No toque el cristal o los elementos de la estufa. Puede que estén lo suficiente calientes para quemar.

Ubicación del número de modelo y de serie

La placa con el número de modelo y de serie está ubicada en el fondo de la estufa o en la base rectangular del quemador y puede verse al levantar la cubierta de la unidad.

Cuando haga pedidos de repuestos o solicite información con respecto a su estufa, esté siempre seguro de incluir el número de modelo y de serie y el número o letra del lote de la placa de serie de su horno.

Antes de llamar al servicio

Lea la sección Lista de Control de Averías en su [Manual del Usuario](#). Esto le podrá ahorrar tiempo y gastos. Esta lista incluye ocurrencias comunes que no son el resultado de defectos de materiales o fabricación de este artefacto.

Lea la garantía y la información sobre el servicio en su [Manual del Usuario](#) para obtener el número de teléfono y la dirección del servicio. Por favor llame o escriba si tiene preguntas acerca de su estufa o necesita repuestos.

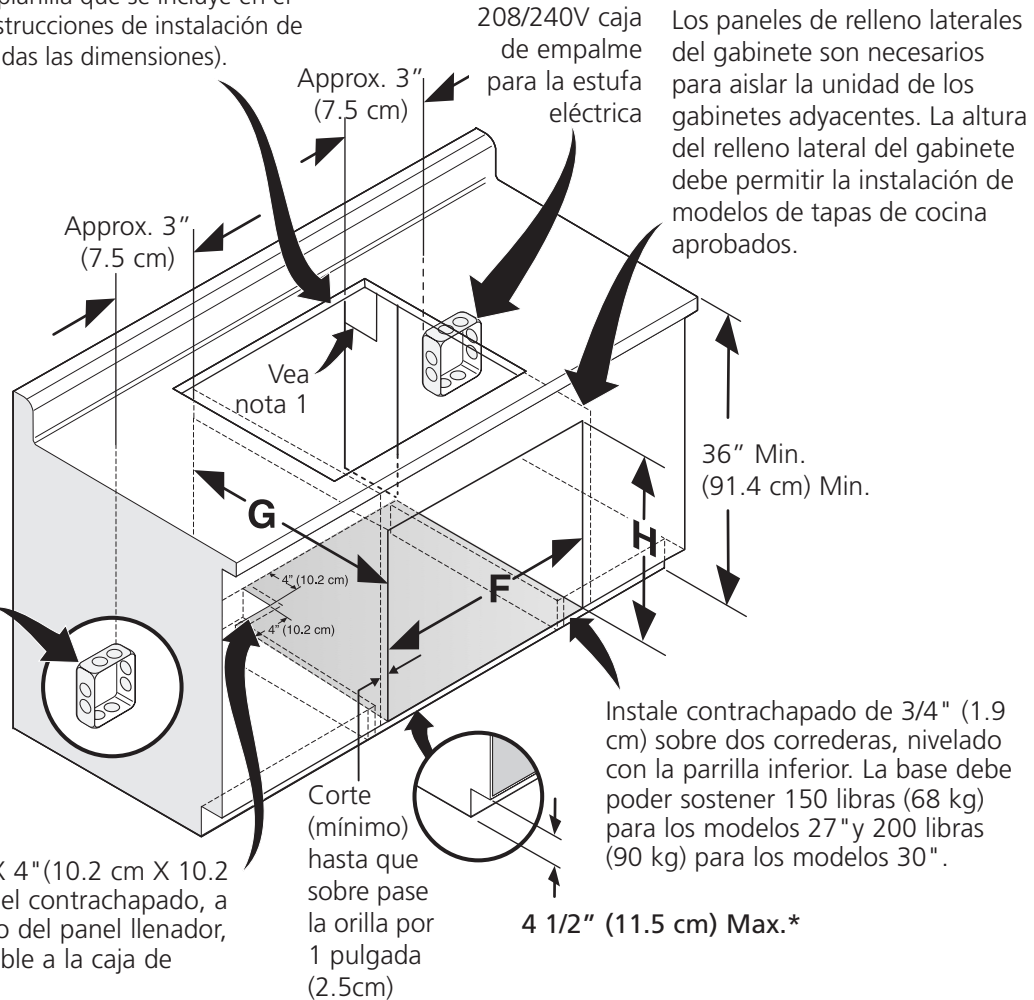
INSTRUCCIONES PARA LA INSTALACION DE LA ESTUFA ELECTRICA

Instalación típica para una estufa eléctrica encima de un horno de pared instalado debajo del mostrador

Sólo ciertos modelos de tapas de cocina se pueden instalar sobre ciertos modelos de hornos eléctricos empotrados. Las tapas de cocina y los hornos empotrados se mencionan por su número de identificación MFG ID y código de producto (ver la planilla que se incluye en el paquete de literatura y las instrucciones de instalación de la cocina donde están detalladas las dimensiones).

Nota 1: Apertura de 4" x 4" (10.2 x 10.2 cm) para guiar el cable blindado de la cubierta a la caja de conexiones.

ADVERTENCIA
Para reducir el riesgo de lesiones personales y inclinación del horno de pared, éste debe asegurarse a los gabinetes mediante soportes de montaje.



208/240 caja de empalme para hornos de pared

Corte una abertura de 4" X 4" (10.2 cm X 10.2 cm) (mínimo) en el fondo del contrachapado, a 2" (5 cm) del lado izquierdo del panel llenador, para poder encaminar el cable a la caja de empalme.

Instale contrachapado de 3/4" (1.9 cm) sobre dos correderas, nivelado con la parrilla inferior. La base debe poder sostener 150 libras (68 kg) para los modelos 27" y 200 libras (90 kg) para los modelos 30".

* Si no se instala ninguna tapa de cocina directamente sobre la unidad del horno, se permite un espacio máximo de 5" (12,7 cm) sobre el piso.

DIMENSIONES DE ABERTURA			
	F. ANCHURA	G. PROFUNDIDAD	H. ALTURA
27" (68.6 cm) Horno de pared	24 7/8" (63.2 cm) Min. 25 1/4" (64.1 cm) Max.	23 1/2" (59.7 cm)	27 1/4" (69.2 cm) Min. 28 1/4" (71.8 cm) Max.
30" (76.2 cm) Horno de pared	28 1/2" (72.4 cm) Min. 29" (73.7 cm) Max.	23 1/2" (59.7 cm)	27 1/4" (69.2 cm) Min. 28 1/4" (71.8 cm) Max.

INSTALACIÓN TÍPICA DEBAJO DE LA MESADA DE HORNO SIMPLE EMPOTRADO CON TAPA DE COCINA MONTADA

INSTRUCTIONS D'INSTALLATION POUR PLAQUE DE CUISSON ÉLECTRIQUE

Canada



UN INSTALLATEUR QUALIFIÉ DOIT EFFECTUER L'INSTALLATION ET LE SERVICE.

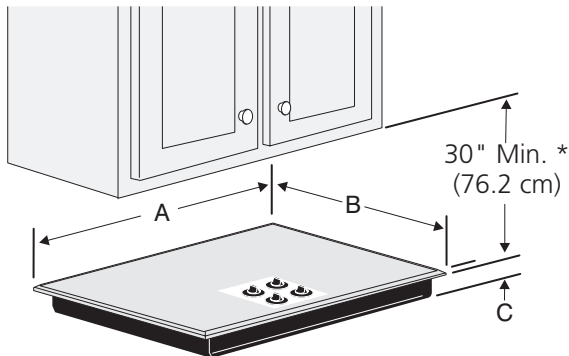
IMPORTANT: CONSERVEZ CES INSTRUCTIONS POUR LES INSPECTEURS LOCAUX. LISEZ CES INSTRUCTIONS ET CONSERVEZ-LES POUR RÉFÉRENCES ULTÉRIEURES.

⚠ AVERTISSEMENT POUR VOTRE SÉCURITÉ: N'entreposez et n'utilisez pas d'essence ou d'autres produits inflammables à proximité de cet appareil ou de tout autre appareil.

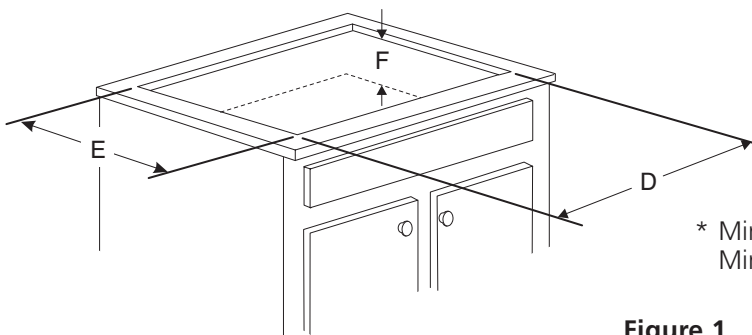
États-Unis



Dimensions de la plaque de cuisson



Dimensions de découpage pour la plaque de cuisson



INSTRUCTIONS DE SÉCURITÉ IMPORTANTES

- Toutes les plaques de cuisson électrique fonctionnent avec un câble à 3 ou 4 fils monophasé de 240/208 volts, 60 hertz CA mise à la terre seulement.
- Veuillez prendre note que la distance minimale entre la plaque de cuisson et les armoires adjacentes et en surplomb est de 30" (76.2 cm).

* Minimum de 30" (76.2 cm) pour armoire non protégée. Minimum de 24" (61 cm) pour surface protégée.

Figure 1

MODÈLE	A. LONGUEUR	B. LARGEUR	C. PROFONDEUR	DIMENSIONS DE DÉCOUPAGE				F. PROFONDEUR SOUS LA TABLE*
				D. LONGUEUR MIN.	D. LONGUEUR MAX.	E. LARGEUR MIN.	E. LARGEUR MAX.	
26" Éléments serpentina	25 ³ / ₄ (65.4)	21 ⁹ / ₁₆ (54.8)	3 ¹ / ₂ (8.9)	25 (63.5)	25 (63.5)	20 ¹ / ₂ (52.1)	20 ¹ / ₂ (52.1)	5 ¹ / ₂ (14)
30" Vitrocéramique	30 ³ / ₈ (77.8)	21 ³ / ₈ (54.4)	2 ⁵ / ₈ (6.7)	29 ⁵ / ₈ (75.2)	29 ⁷ / ₈ (75.9)	20 ¹ / ₄ (51.4)	20 ¹ / ₂ (52.1)	5 (12.7)
30" Éléments serpentina	30 (76.2)	21 ¹ / ₂ (54.6)	3 (7.6)	26 ³ / ₄ (67.9)	28 ¹ / ₄ (71.8)	19 ¹ / ₈ (48.6)	20 (50.8)	5 (12.7)
32" Vitrocéramique	32 ¹ / ₄ (81.9)	20 ¹ / ₄ (51.4)	3 ³ / ₄ (9.5)	31 (78.7)	31 ¹ / ₄ (79.4)	19 (48.3)	19 ¹ / ₄ (48.9)	5 ³ / ₄ (14.6)
32" Éléments serpentina	32 ¹ / ₄ (81.9)	20 ¹ / ₄ (51.4)	3 ³ / ₄ (9.5)	31 (78.7)	31 ¹ / ₄ (79.4)	19 (48.3)	19 ¹ / ₄ (48.9)	5 ³ / ₄ (14.6)
36" Vitrocéramique	36 ³ / ₄ (93.5)	21 ³ / ₈ (54.4)	2 ⁵ / ₈ (6.7)	35 ⁵ / ₈ (90.5)	36 ¹ / ₈ (91.8)	20 ¹ / ₄ (51.4)	20 ¹ / ₂ (52.1)	5 (12.7)
36" Éléments serpentina (36" X 18")	36 (91.4)	18 (45.7)	3 ⁷ / ₈ (9.8)	34 ¹ / ₄ (87)	34 ³ / ₈ (87.3)	16 ⁵ / ₈ (42.2)	16 ³ / ₄ (42.5)	5 ⁷ / ₈ (14.9)
36" Éléments serpentina (36" x 21 ¹ / ₂ ")	36 (91.4)	21 ¹ / ₂ (54.6)	3 (7.6)	32 ³ / ₄ (83.2)	34 ¹ / ₄ (87)	19 (48.3)	20 (50.8)	5 (12.7)

Toutes les dimensions sont en pouces (cm).

Seulement certains modèles sont disponibles au Canada.

* Laissez un espace de 2" (5 cm) au-dessous de la plaque de cuisson pour dégager le câble et faciliter l'installation de la boîte de jonction sur le mur à l'arrière de la plaque de cuisson.

Imprimé en Chine

P/N 318205403 (0805) Rev. B

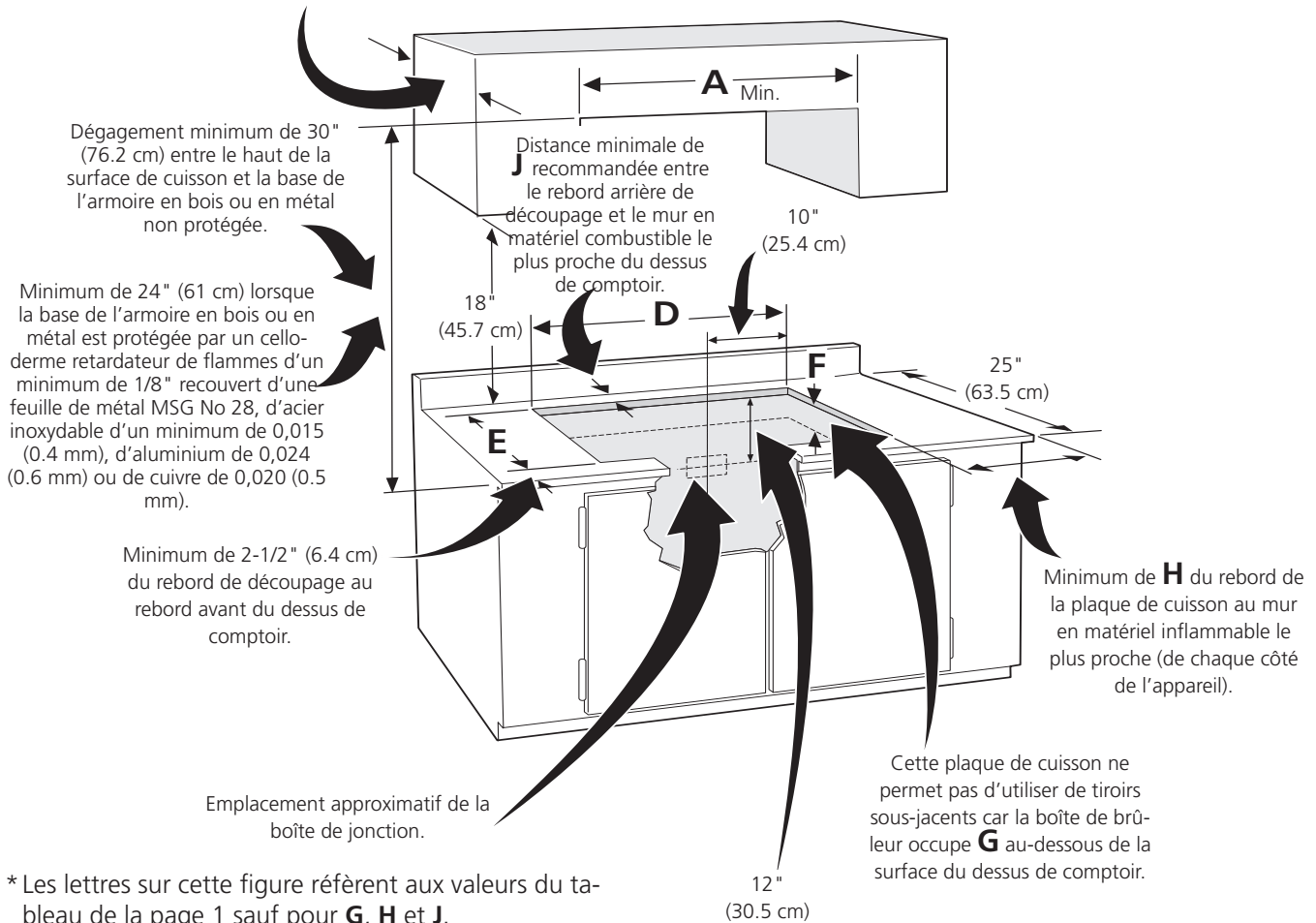
English – pages 1-8

Español – pages 9-16

Français – pages 17-24

INSTRUCTIONS D'INSTALLATION POUR PLAQUE DE CUISSON ÉLECTRIQUE

L'armoire supérieure ne doit pas excéder une profondeur maximale de 13" (33 cm).



AVERTISSEMENT Pour éliminer les risques de brûlures ou de feu en allongeant le bras au-dessus des surfaces de cuisson chaudes, évitez d'installer des armoires au-dessus de la plaque de cuisson. Si vous devez en installer, il est possible de réduire le risque en plaçant une hotte pour cuisinière qui excède horizontalement d'un minimum de 5" (12.7 cm) la base de l'armoire.

MODEL	G	H	J
26" Éléments spiraux	3 1/2" (8.9 cm)	3" (7.6 cm)	2" (5.1 cm)
30" Vitrocéramique	4" (10.2 cm)	7 1/2" (19.1 cm)	2" (5.1 cm)
30" Éléments spiraux	6" (15.2 cm)	7 1/2" (19.1 cm)	2 1/4" (5.7 cm)
32" Vitrocéramique	4" (10.2 cm)	7 1/2" (19.1 cm)	2" (5.1 cm)
32" Éléments spiraux	6" (15.2 cm)	7 1/2" (19.1 cm)	2 1/4" (5.7 cm)
36" Vitrocéramique	4" (10.2 cm)	7 1/2" (19.1 cm)	2" (5.1 cm)
36" Éléments spiraux (36" X 18")	6" (15.2 cm)	3" (7.6 cm)	3" (7.6 cm)
36" Éléments spiraux (36" X 21 1/2")	6" (15.2 cm)	7 1/2" (19.1 cm)	2 1/4" (5.7 cm)

Figure 2 – OUVERTURE DU DÉCOUPAGE DE DESSUS DU COMPTOIR

Installateur

1. Lisez toutes ces instructions avant de procéder à l'installation de la plaque de cuisson.
2. Enlevez tout le matériel d'emballage avant de procéder au raccordement électrique.
3. Observez tous les codes et règlements applicables.
4. Assurez-vous de laisser ces instructions au consommateur.

Consommateur

Conservez ces instructions avec votre Guide de l'utilisateur pour références futures.

DIRECTIVES IMPORTANTES DE SÉCURITÉ

- Assurez-vous que votre plaque de cuisson est installée et mise à la terre correctement par un installateur ou un technicien de service qualifié.
- Cette plaque de cuisson doit être mise à la terre conformément aux codes locaux d'électricité ou, en l'absence de codes, en conformité avec le National Electrical Code ANSI/NFPA No. 70, dernière édition aux États-Unis, ou avec la norme ACNOR C22.1, Partie 1 au Canada.

⚠ AVERTISSEMENT Il faut couper l'alimentation électrique durant le branchement électrique. À défaut de ce faire il peut en résulter des blessures graves ou la mort.

Connexion électrique

Installez la boîte de jonction sous l'armoire et installez un câble de 120/240 ou 120/208 Volts, AC au panneau de distribution de l'appareil. Ne branchez pas encore le câble au panneau de circuits.

Exigences électriques

Ces appareils doivent être branchés à une alimentation possédant la tension et la fréquence appropriées. Ils doivent être connectés à un circuit dédié correctement mis à la terre et protégé par un disjoncteur ou un fusible. **Le disjoncteur ou fusible recommandé pour cet appareil est de 40A ou 50A.**

Observez tous les règlements et les codes locaux applicables.

1. Un câble électrique à 3 fils ou 4 fils monophasé 120/240 ou 120/208 Volt, 60 Hz AC est requis sur un circuit séparé muni d'un fusible sur chaque fil conducteur (fusible temporisé ou disjoncteur recommandé). NE RELIEZ pas de fusible au neutre. Seulement que certains fours encastrés peuvent être combinés avec cette table de cuisson. Les tables de cuisson et fours encastrés approuvés sont énumérés sur la feuille ID MFG insérée dans votre documentation.

NOTE: Le calibre des fils et leurs connexions doivent être conformes à la capacité des fusibles et à la capacité nominale de l'appareil, selon le National Electrical Code ANSI/NFPA No. 70, dernière édition, ou selon la norme ACNOR C22.1, Partie 1, du Code canadien de l'électricité et les codes et les règlements locaux.

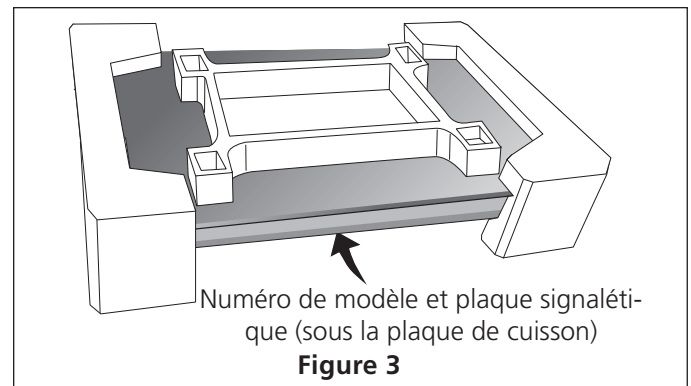
⚠ AVERTISSEMENT N'utilisez pas de rallonge électrique avec cette appareil. Son utilisation peut causer un feu, un choc électrique ou des blessures corporelles.

2. Il faut brancher l'appareil au panneau de distribution en utilisant des câbles flexibles à gaine métallique ou non métallique. On doit brancher directement à la boîte de jonction le câble gainé flexible de l'appareil. Il faut installer la boîte de jonction tel qu'illustré à la Figure 2 en laissant autant de lâche que possible dans le câble entre la boîte et l'appareil, pour en faciliter le déplacement si l'entretien s'avère nécessaire.
3. Une longueur de câble suffisante doit être prévue pour permettre une connexion du câble gainé flexible à la boîte de jonction.

Instructions de déballage

(Modèles vitrocéramiques seulement)

1. N'enlevez pas les coins mousse d'expédition de la plaque de cuisson avant d'avoir terminé la connexion électrique.
2. Assurez-vous de laisser à vue d'oeil la bouteille de nettoyage conditionneur qui se trouve dans l'enveloppe de littérature. Il est important que la surface vitrocéramique lisse soit prétraitée avant d'être utilisée.



Connexions électriques

Le consommateur est responsable et doit communiquer avec un installateur qualifié pour s'assurer que l'installation électrique est adéquate et conforme avec le National Electrical Code ANSI/NFPA No. 70-dernière édition, ou avec la norme ACNOR C22.1, partie 1, du code canadien de l'électricité, et les codes et règlements locaux.

⚠ AVERTISSEMENT Risque de choc électrique (Si cet avertissement n'est pas pris en considération, un choc électrique ou des blessures sérieuses peuvent survenir). Cet appareil est muni de fils en cuivre. Si ce dernier est branché à circuit résidentiel en aluminium, n'utilisez que des connecteurs qui sont approuvés pour joindre des fils de cuivre à des fils d'aluminium conformément au National Electrical Code et les codes et règlements locaux. Lors de l'installation des connecteurs munis de vis touchant directement l'acier ou l'aluminium de conduit flexible, il ne faut pas serrer celles-ci outre mesure afin d'éviter d'endommager le conduit flexible. Il ne faut ni plier ni tordre outre mesure un conduit flexible de manière à éviter un bris dans la gaine et une exposition des fils ou câbles internes.

INSTRUCTIONS D'INSTALLATION POUR PLAQUE DE CUISSON ÉLECTRIQUE

La mise à la terre de cet appareil est obligatoire.

Cet appareil est fabriqué avec un câble d'alimentation possédant un fil de mise à la terre vert (ou de cuivre dénudé) relié au châssis.

⚠ AVERTISSEMENT NE PAS utiliser un tuyau à gaz pour la mise à la terre. NE PAS raccorder l'appareil tant que sa mise à la terre n'est pas complétée. Raccordez les fils de mise à la terre avant de mettre l'appareil sous tension électrique.

Si votre électroménager n'est pas muni d'un fil neutre (blanc): Branchez seulement à un câble d'alimentation 120/240V à 3 fils; le fil neutre n'est pas requis pour le fonctionnement de l'appareil. La différence de potentiel du bloc d'alimentation à la mise à terre doit être de 150V ou moins.

ÉLECTRICIEN: Le câble gainé fourni avec cet appareil est homologué par UL pour connexion à des circuits résidentiels de fils de calibre supérieur. La capacité thermique de l'isolant des câbles excède considérablement celle des circuits résidentiels. La transmission du courant électrique maximum permise des fils du câble est en fonction de la capacité thermique de la gaine plutôt que du calibre du fil.

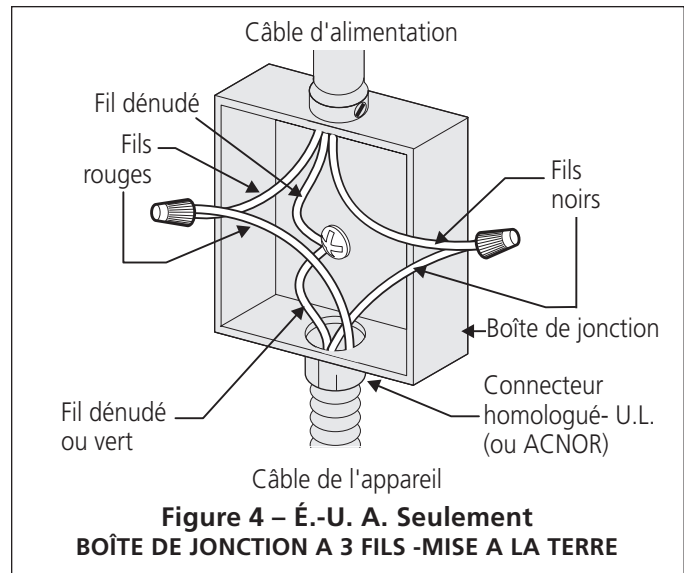
RISQUE D'ÉLECTROCUTION: La mise à la terre par le conducteur neutre est interdit pour un nouveau branchement (NEC 1996) ; caravanes résidentielles ; véhicules récréatifs ; ou au Canada, ou dans un secteur où les codes locaux interdisent la mise à la terre par le connecteur neutre.

⚠ AVERTISSEMENT (Si votre appareil possède un câble muni d'un conducteur blanc neutre.) Cet appareil est fabriqué avec un câble d'alimentation muni d'un fil blanc neutre et d'un fil de mise à la terre en cuivre branché sur le châssis. Si l'appareil est utilisé, aux États-Unis, dans une maison mobile, un nouveau branchement (1996 NEC), un véhicule récréatif où les codes locaux n'autorisent pas la connexion du conducteur de mise à la terre du châssis au neutre ou au Canada, débranchez les fils blanc et vert des autres et utilisez le fil de mise à la terre pour mettre à la terre l'appareil conformément aux codes locaux, branchez le conducteur neutre de manière habituelle au circuit neutre voir la figure 6 ou 7. Si l'appareil doit être branché à un câble à 3 fils (aux États-Unis seulement), où les codes locaux permettent la connexion du fil de mise à la terre du châssis au neutre (blanc). Voir la figure 4 ou 5.

Où les codes locaux permettent la connexion du fil de mise à la terre du châssis au neutre (blanc) (aux États-Unis seulement):

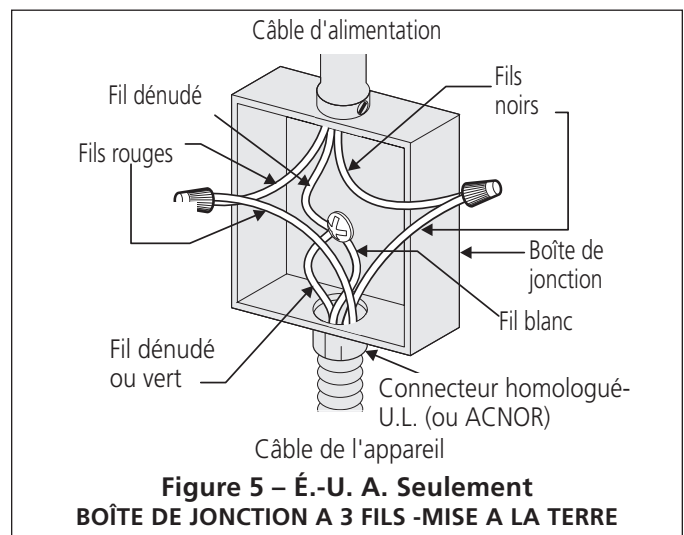
Si votre appareil possède un câble à 3 fils et est relié à un câble de 3 fils dans une boîte de jonction (voir la figure 4):

1. Débrancher l'alimentation.
2. Dans le disjoncteur, boîte à fusibles ou boîte de jonction: connecter l'appareil et les câbles d'alimentation comme (voir figure 4).



Si votre appareil possède un câble à 4 fils et est relié à un câble de 3 fils dans une boîte de jonction (voir la figure 5):

1. Débrancher l'alimentation.
2. Dans le disjoncteur, boîte à fusibles ou boîte de jonction: connecter l'appareil et les câbles d'alimentation comme (voir figure 5).

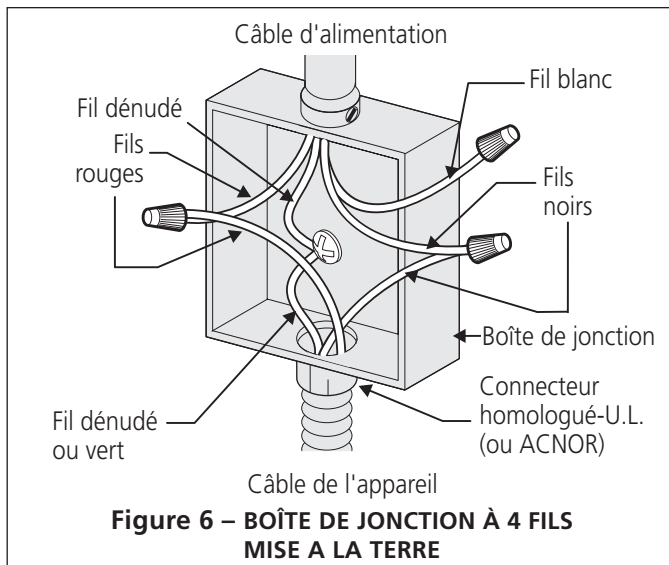


INSTRUCTIONS D'INSTALLATION POUR PLAQUE DE CUISSON ÉLECTRIQUE

Si l'appareil est utilisé dans une maison mobile, un nouveau branchement (1996 NEC), un véhicule récréatif ou si les codes locaux N'AUTORISENT PAS la connexion du conducteur de mise à la terre du châssis au neutre, le châssis de l'appareil NE DOIT PAS être branché au fil neutre du câble à 4 fils.

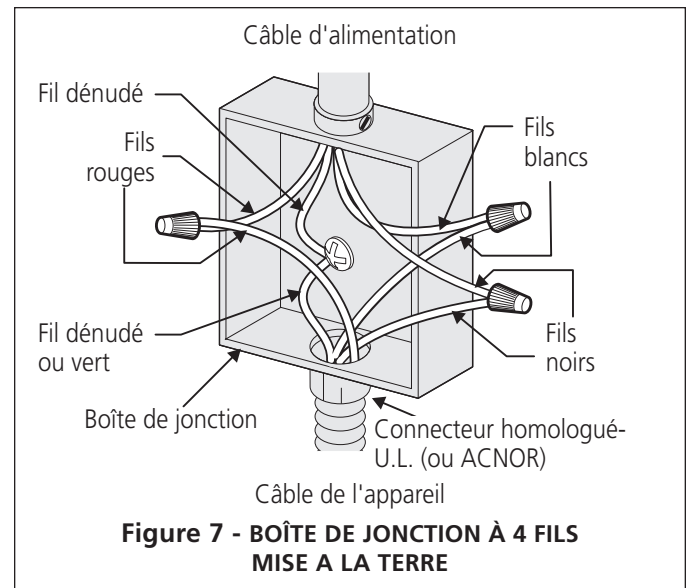
Si votre appareil possède un câble à 3 fils et est relié à un câble de 3 fils dans une boîte de jonction (voir la figure 6):

1. Débrancher l'alimentation.
2. Séparer le fil vert (ou cuivre dénudé) et blanc du câble de l'appareil.
3. Bouchonner le fil blanc du câble d'alimentation si un câble a 3 fils et fourni avec l'appareil.
4. Dans le disjoncteur, boîte à fusibles ou boîte de jonction: connecter l'appareil et les câbles d'alimentation comme (voir figure 6).



Si votre appareil possède un câble à 4 fils et est relié à un câble de 3 fils dans une boîte de jonction (voir la figure 7):

1. Débrancher l'alimentation.
2. Dans le disjoncteur, boîte à fusibles ou boîte de jonction: connecter l'appareil et les câbles d'alimentation comme (voir figure 7).

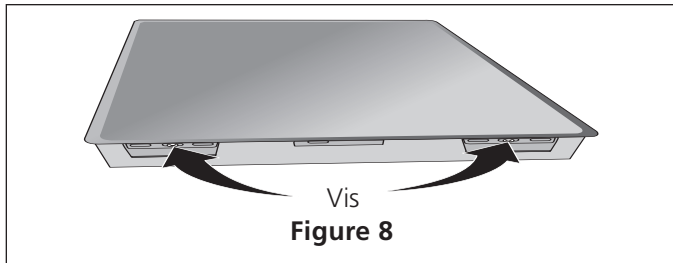


INSTRUCTIONS D'INSTALLATION POUR PLAQUE DE CUISSON ÉLECTRIQUE

Installation de la plaque de cuisson

1. Toutes les plaques de cuisson vitrocéramiques:

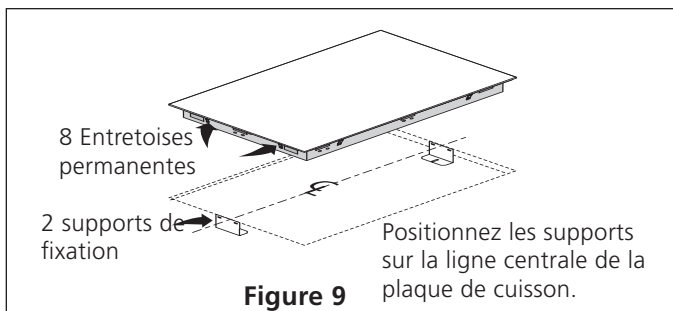
Vérifiez si la plaque de cuisson est endommagée. Veuillez également à ce que toutes les vis de la plaque de cuisson soient bien serrées (Figure 8).



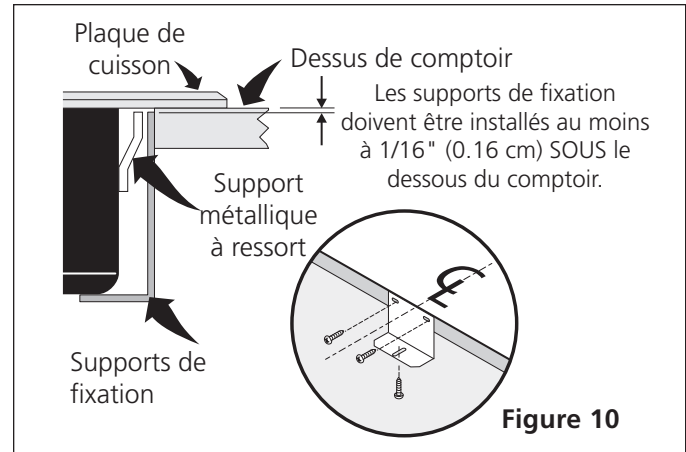
Insérez la plaque de cuisson dans la découpe de dessus de comptoir.

NOTA: N'utilisez pas de pâte à calfeutrage; on doit pouvoir déplacer la plaque de cuisson si l'entretien s'avère nécessaire.

AVERTISSEMENT N'enlevez pas les entretoises en nylon sur les rebords de la plaque de cuisson. Ces entretoises centrent la plaque de cuisson dans l'espace fourni à cet effet. La plaque de cuisson doit être centrée pour empêcher l'accumulation d'excès de chaleur pouvant entraîner des dommages par la chaleur ou le feu (voir Figure 9).

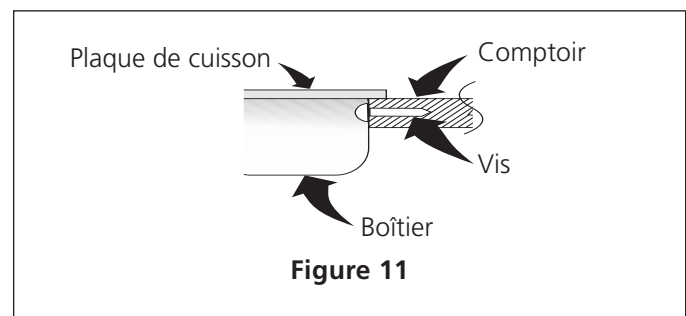


Les supports de fixation **DOIVENT** être installés conformément aux codes locaux ou, en leur absence, en conformité avec le National Electrical Code ANSI/NFPA No. 70, dernière édition, ou le Code Électrique canadien norme ACNOR C22.1, Partie 1 (Figure 10).



2. Modèles de plaque de cuisson 26" et 36" (36" X 18") avec éléments spiraux:

Placez l'appareil dans l'ouverture du comptoir. Enlevez les boutons de commande. Soulevez la surface de cuisson et fixez le boîtier au comptoir à l'aide de vis à bois (figure 11). Abaissez l'appareil. Remplacez les boutons de commande sur les arbres et pressez vers le bas.



3. Modèles de plaque de cuisson 32" avec éléments spiraux:

1. Placez l'appareil dans l'ouverture du comptoir et centrez l'unité.
2. Enlevez les éléments et les cuvettes.
3. Une fois l'unité installée dans l'ouverture, vous devez la fixer tel que montré à la figure 12.
4. Remplacez les cuvettes et les éléments.
5. Faites les raccordements électriques comme indiqué à la section "Connexions électriques".

INSTRUCTIONS D'INSTALLATION POUR PLAQUE DE CUISSON ÉLECTRIQUE

À travers les ouvertures des éléments de surface de l'appareil, installez les supports de retenu à l'aide des vis tel que montré. Assurez-vous que la plaque de cuisson est bien fixée au comptoir.

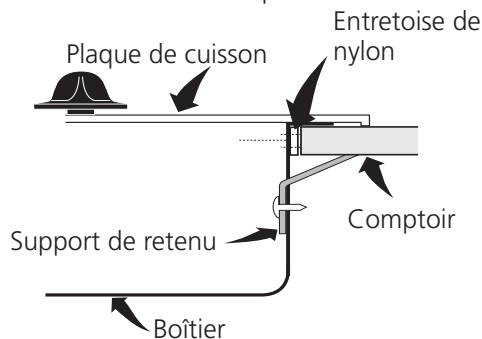


Figure 12

4. Modèles de plaque de cuisson 30" et 36" (36" X 21½") avec éléments spiraux:

- Ces plaques de cuisson peuvent être installées dans diverses grandeurs d'ouverture. Les dimensions minimales et maximales d'ouverture sont indiquées à la figure 1.
- Lors d'une nouvelle installation, utilisez les dimensions minimales d'ouverture indiquées à la figure 1.
- Attachez le boîtier de la plaque de cuisson au comptoir à l'aide de vis à bois.
- **Lors d'une installation dans une ouverture déjà existante (mais n'excédant pas les dimensions maximales de la figure 1) les étapes suivantes doivent être suivies:**

1. Insérez les 4 vis et espaceurs d'installation à travers les trous dans les murs verticaux du boîtier tel que montré à la figure 13.
2. Placez l'appareil dans l'ouverture du comptoir et centrez l'unité.
3. Serrez les vis à la main ou jusqu'à ce que les espaceurs soient bien appuyés contre les murs du boîtier.

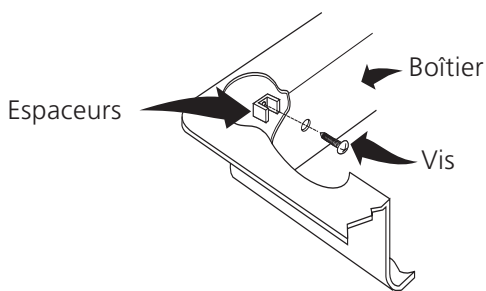


Figure 13

4. Avant de serrer les vis d'installation, exercez une pression vers le bas sur le boîtier pour s'assurer que les bords reposent bien sur le comptoir. Serrez les vis uniformément.
5. Une fois l'unité installée dans l'ouverture, vous devez la fixer tel que montré à la figure 14.
6. Faites les raccordements électriques tel qu'indiqué à la section "Connexions électriques".

Pour fixer l'unité, insérez la languette du support dans la rainure de chaque côté de l'unité. Insérez la vis dans le support de façon à ce qu'elle s'appuie sur le dessous du comptoir. Serrez la vis jusqu'à ce que le boîtier repose sur le comptoir.

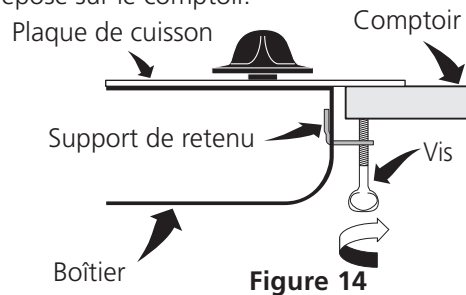


Figure 14

Vérification de fonctionnement

Référez-vous au [Guide de l'utilisateur](#) pour le mode de fonctionnement.

⚠ MISE EN GARDE

Ne touchez pas à la vitre de la plaque de cuisson ou aux éléments. Ils peuvent être suffisamment chauds pour causer des brûlures.

Emplacement des numéros de modèle et de série

La plaque signalétique est située sous la plaque de cuisson ou dans le boîtier.

Pour toute commande de pièces ou demande de renseignements, au sujet de votre plaque de cuisson, assurez-vous de toujours inclure les numéros de modèle et de série, ainsi que le numéro ou lettre de lot de la plaque signalétique de votre plaque de cuisson.

Avant d'appeler le service d'entretien

Consultez la liste des vérifications préventives et les instructions d'opération dans votre [Guide de l'utilisateur](#). Vous sauvez probablement du temps et de l'argent. La liste contient les incidents ordinaires ne résultant pas de défauts dans le matériel ou la fabrication de cet appareil.

Pour obtenir notre adresse et notre numéro de téléphone référez-vous à la garantie et aux renseignements sur les services d'entretien dans votre [Guide de l'utilisateur](#). Prière de nous téléphoner ou de nous écrire pour toute demande d'information au sujet de votre appareil et/ou si vous désirez commander des pièces.

INSTRUCTIONS D'INSTALLATION POUR PLAQUE DE CUISSON ÉLECTRIQUE

L'installation typique d'un four encastré électrique sous le comptoir est présentée à la figure plus bas.

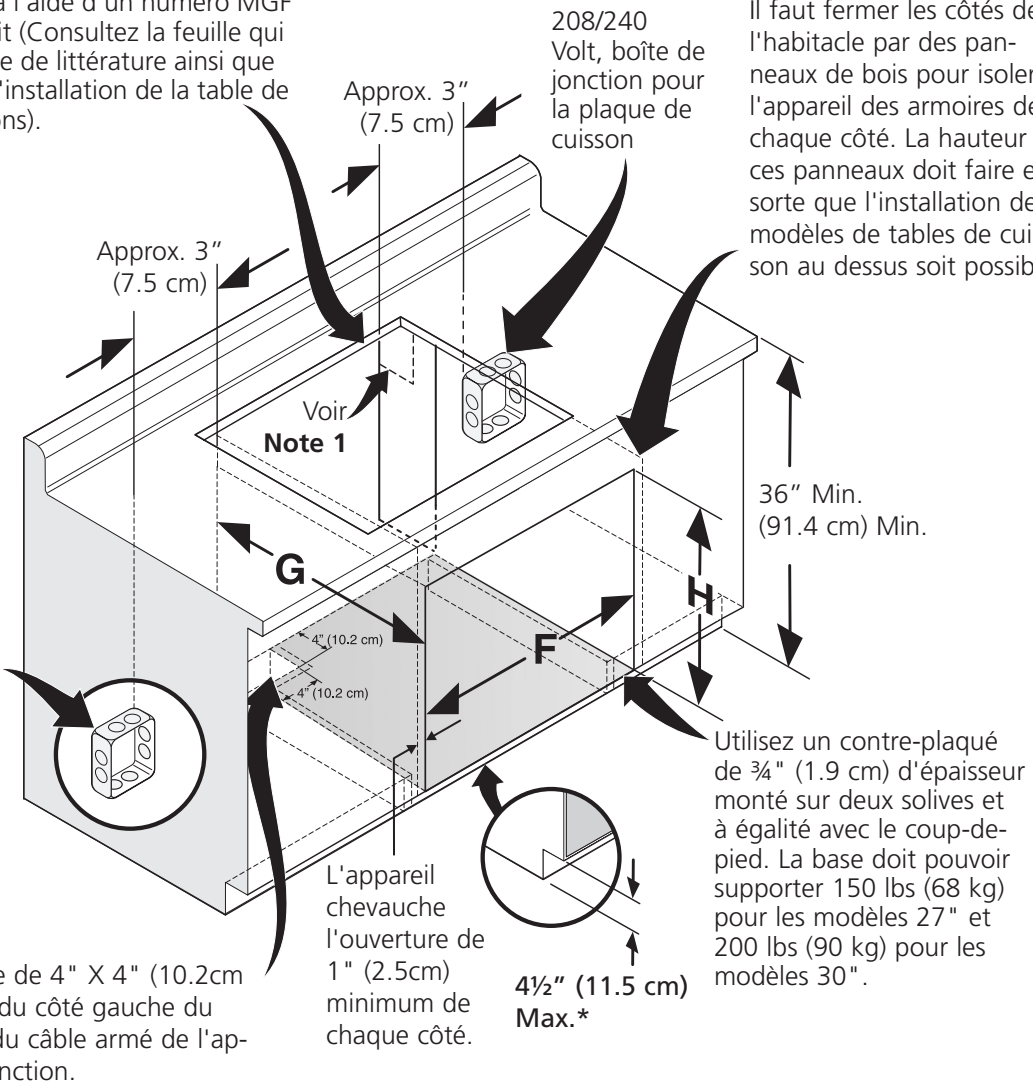
Seulement certains modèles de tables de cuisson peuvent être installés au-dessus de certains modèles de fours encastrés. Les modèles approuvés pour être combinés sont identifiés à l'aide d'un numéro MGF ID et d'un code de produit (Consultez la feuille qui se trouve dans l'enveloppe de littérature ainsi que le feuillet d'instructions d'installation de la table de cuisson pour les dimensions).

Note 1: Découpez une ouverture de 4" x 4" (10.2cm X 10.2cm) pour la sortie du câble armé vers la boîte de jonction.

Il faut fermer les côtés de l'habitacle par des panneaux de bois pour isoler l'appareil des armoires de chaque côté. La hauteur de ces panneaux doit faire en sorte que l'installation des modèles de tables de cuisson au dessus soit possible.

⚠ AVERTISSEMENT

Pour réduire les risques de blessures et pour empêcher le four encastré de basculer. Utilisez les supports de fixation pour retenir le four encastré à l'armoire.



Découpez une ouverture de 4" X 4" (10.2cm X 10.2cm), à 2" (5 cm) du côté gauche du plancher pour la sortie du câble armé de l'appareil vers la boîte de jonction.

* Si aucune table de cuisson n'est installée au-dessus du four encastré, un maximum de 5" (12.7cm) à partir du plancher est permis.

DIMENSIONS DE L'OUVERTURE			
	F. LARGEUR	G. PROFONDEUR	H. HAUTEUR
Four encastré 27" (68.6cm)	24 ⁷ / ₈ " (63.2cm) Min. 25 ¹ / ₄ " (64.1cm) Max.	23 ¹ / ₂ " (59.7cm) Min.	27 ¹ / ₄ " (69.2cm) Min. 28 ¹ / ₄ " (71.8cm) Max.
Four encastré 30" (76.2cm)	28 ¹ / ₂ " (72.4cm) Min. 29" (73.7cm) Max.	23 ¹ / ₂ " (59.7cm) Min.	27 ¹ / ₄ " (69.2cm) Min. 28 ¹ / ₄ " (71.8cm) Max.

INSTALLATION TYPIQUE D'UN FOUR ENCASTRÉ SIMPLE SOUS LE COMPTOIR AVEC UNE TABLE DE CUISSON ÉLECTRIQUE OU À GAZ INSTALLÉE PAR-DESSUS