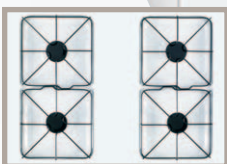




**FGF364K C**

- 5.0 Cu. Ft. Self-Cleaning Oven with Auto-Latch™ Oven Lock
- SmoothTouch™ Backguard Design
- Stainless Steel Oven Door
- Extra-Large, Clear Glass Visualite® Window
- UltraSoft™ Black Handles
- Seamless Upswept Cooktop
- 4 - 9,500 BTU Sealed Burners
- Square Steel Grates and Caps
- Electronic Ignition
- EasySet™ 300 Electronic Oven Control
- Vari-Broil™ - 2 Position (Hi/Lo)
- Front Manifold Controls
- Oven Light
- Storage Drawer with Handle
- 2 Flat Oven Racks



**FGF364K S**

- 5.0 Cu. Ft. Self-Cleaning Oven with Auto-Latch™ Oven Lock
- Color-Coordinated SmoothTouch™ Backguard Design
- Color-Coordinated Glass Oven Door and UltraSoft™ Handle
- Extra-Large, Clear Glass Visualite® Window
- Seamless Upswept Cooktop
- 4 - 9,500 BTU Sealed Burners
- Square Steel Grates and Caps
- Electronic Ignition
- EasySet™ 300 Electronic Oven Control
- Vari-Broil™ - 2 Position (Hi/Lo)
- Front Manifold Controls
- Oven Light
- Storage Drawer with Integrated Handle
- 2 Flat Oven Racks
- Available in White

### ONE-YEAR LIMITED WARRANTY

Your appliance is covered by a one year limited warranty. For one year from your original date of purchase, Electrolux will pay all costs for repairing or replacing any parts of this appliance that prove to be defective in materials or workmanship when such appliance is installed, used, and maintained in accordance with the provided instructions.

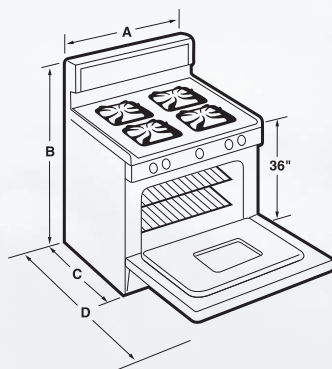
#### DISCLAIMER OF IMPLIED WARRANTIES; LIMITATION OF REMEDIES

Customer's sole and exclusive remedy under this limited warranty shall be product repair as provided herein. Claims based on implied warranties, including warranties of merchantability or fitness for a particular purpose, are limited to one year or the shortest period allowed by law, but not less than one year. Electrolux shall not be liable for consequential or incidental damages such as property damage and incidental expenses resulting from any breach of this written limited warranty or any implied warranty. Some states and provinces do not allow the exclusion or limitation of incidental or consequential damages, or limitations on the duration of implied warranties, so these limitations or exclusions may not apply to you. This written warranty gives you specific legal rights. You may also have other rights that vary from state to state.

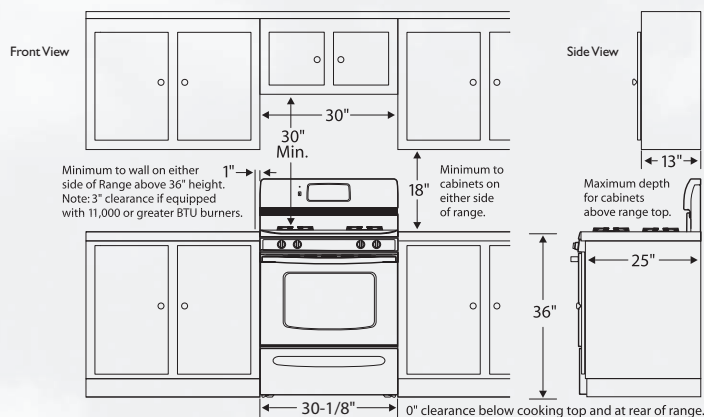


### INSTALLATION

The following dimension and cutout information is for planning purposes only. For complete installation details consult manual packed with product, or download manual at Customer Service, online at [frigidaire.com](http://frigidaire.com).



Installation with Kitchen Cabinets



### IF YOU NEED SERVICE

Keep your receipt, delivery slip, or some other appropriate payment record to establish the warranty period should service be required. If service is performed, it is in your best interest to obtain and keep all receipts. Service under this warranty must be obtained by contacting Electrolux at the addresses or phone numbers below. This warranty only applies in the USA and Canada. In the USA, your appliance is warranted by Electrolux Major Appliances North America, a division of Electrolux Home Products, Inc. In Canada, your appliance is warranted by Electrolux Canada Corp. Electrolux authorizes no person to change or add to any obligations under this warranty. Obligations for service and parts under this warranty must be performed by Electrolux or an authorized service company. Product features or specifications as described or illustrated are subject to change without notice.

### SELF-CLEANING GAS RANGES

Models	FGF364KC	FGF364KS
Series	Frigidaire	Frigidaire
<b>Control Panel Features</b>		
Oven Control / Timing System	ES300	ES300
Electronic Clock / Countdown Timer	•	•
Automatic Oven (Delay, Cook & Off)	•	•
<b>Cooktop Features</b>		
Electronic Pilotless Ignition	•	•
Linear Flow Burner Valves (270°)	•	•
Seamless Upswept Cooktop	•	•
9,500 BTU Sealed Burner	4	4
<b>Oven Features</b>		
Advanced Bake Cooking System	•	•
Vari-Broil™ Temperature Control	Hi/Lo	Hi/Lo
Visualite® Window Door	•	•
UltraSoft™ Black Handles	•	•
Color-Coordinated UltraSoft™ Handle		•
Oven Light	•	•
Oven Racks	2	2
<b>Additional Features</b>		
Removable Storage Drawer	•	•
<b>Color</b>		
Stainless Steel / Black (C)	•	
White-on-White (S)		•
<b>Specifications</b>		
Width (A)	29-7/8"	29-7/8"
Height (B)	47-3/4"	47-3/4"
Depth (excluding handle) (C)	25-3/4"	25-3/4"
Depth (with 90° Door Opening) (D)	46-5/8"	46-5/8"
Oven Capacity (Cu. Ft.)	5.0	5.0
Shipping Weight (Approx.)	195 Lbs.	195 Lbs.
LP Conversion Kit: GRLP2 (Optional)	•	•
Minimum Circuit Required - Amps*	40	40
120V / 60Hz / 15 Amp Power Source Required	•	•

\*Consult Local / National Electric and Gas Codes

### OVEN CAVITY DIMENSIONS

Models	Width	Height	Depth
5.0 Flat Bottom	24-3/8"	17-5/8"	19-3/4"

### SEALED BURNER BTU RATINGS

	Maximum Output	Low Turn-Down Output
9,500 BTU Natural Gas / 8,000 BTU LP Gas		850 BTU Natural Gas

### OVEN BURNER BTU RATINGS

Bake	18,000 BTU Natural Gas / 16,000 BTU LP Gas
Broil	14,000 BTU Natural Gas / 13,500 BTU LP Gas

LP = Liquid Propane  
Specifications subject to change.



*Frigidaire*

USA  
Electrolux Major Appliances, North America  
250 Bobby Jones Expressway, Martinez, GA 30907  
1-800-FRIGIDAIRE • [frigidaire.com](http://frigidaire.com)

CANADA  
Electrolux Canada Corporation  
5855 Terry Fox Way, Mississauga, ON L5V 3E4  
1-800-265-8352 • [frigidaire.ca](http://frigidaire.ca)

**Electrolux Major Appliances, N.A.**

F09BB 10/09

© 2009 Electrolux Home Products, Inc.

Printed in U.S.A.