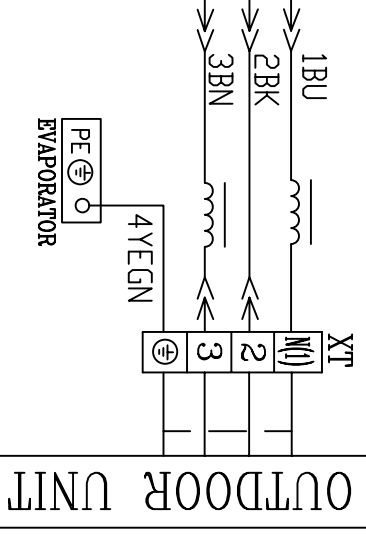
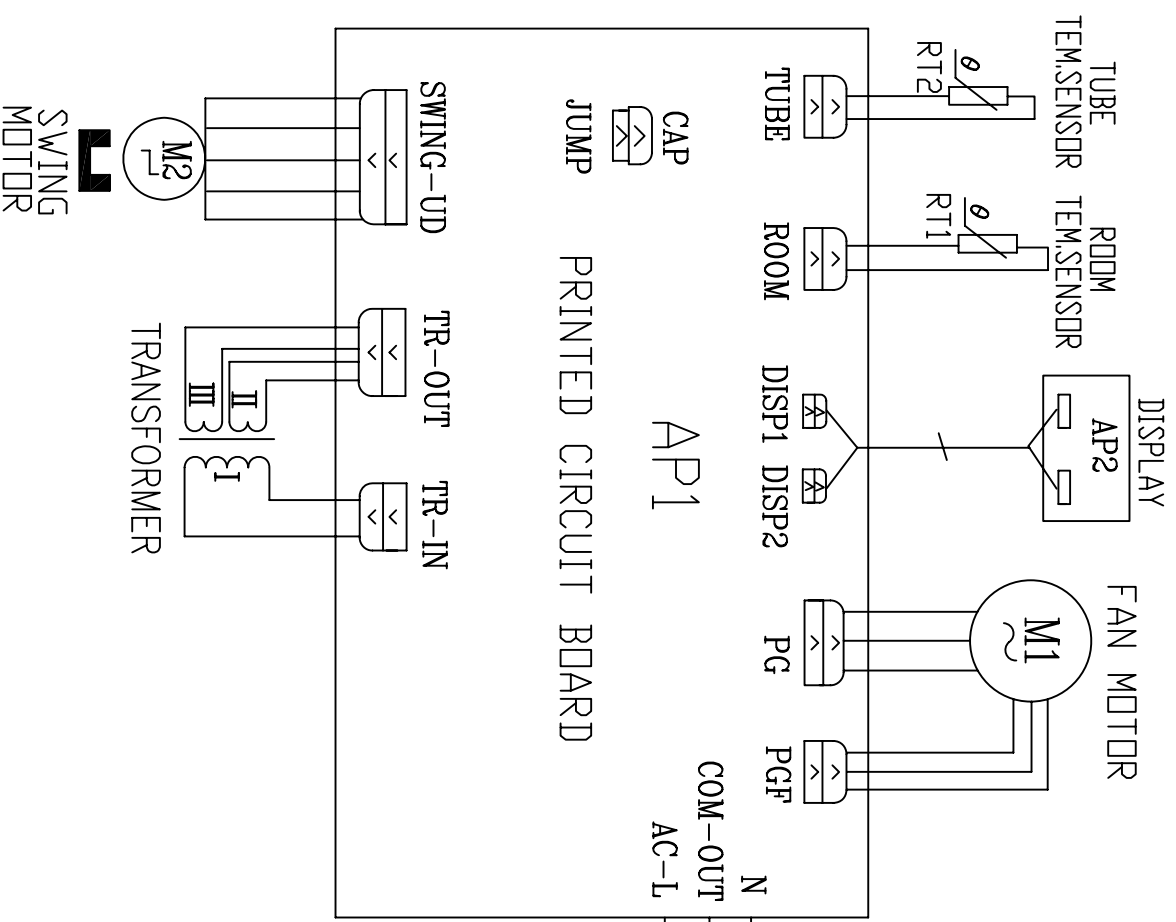


56±1

66±1



INDOOR UNIT
63612937

4-R

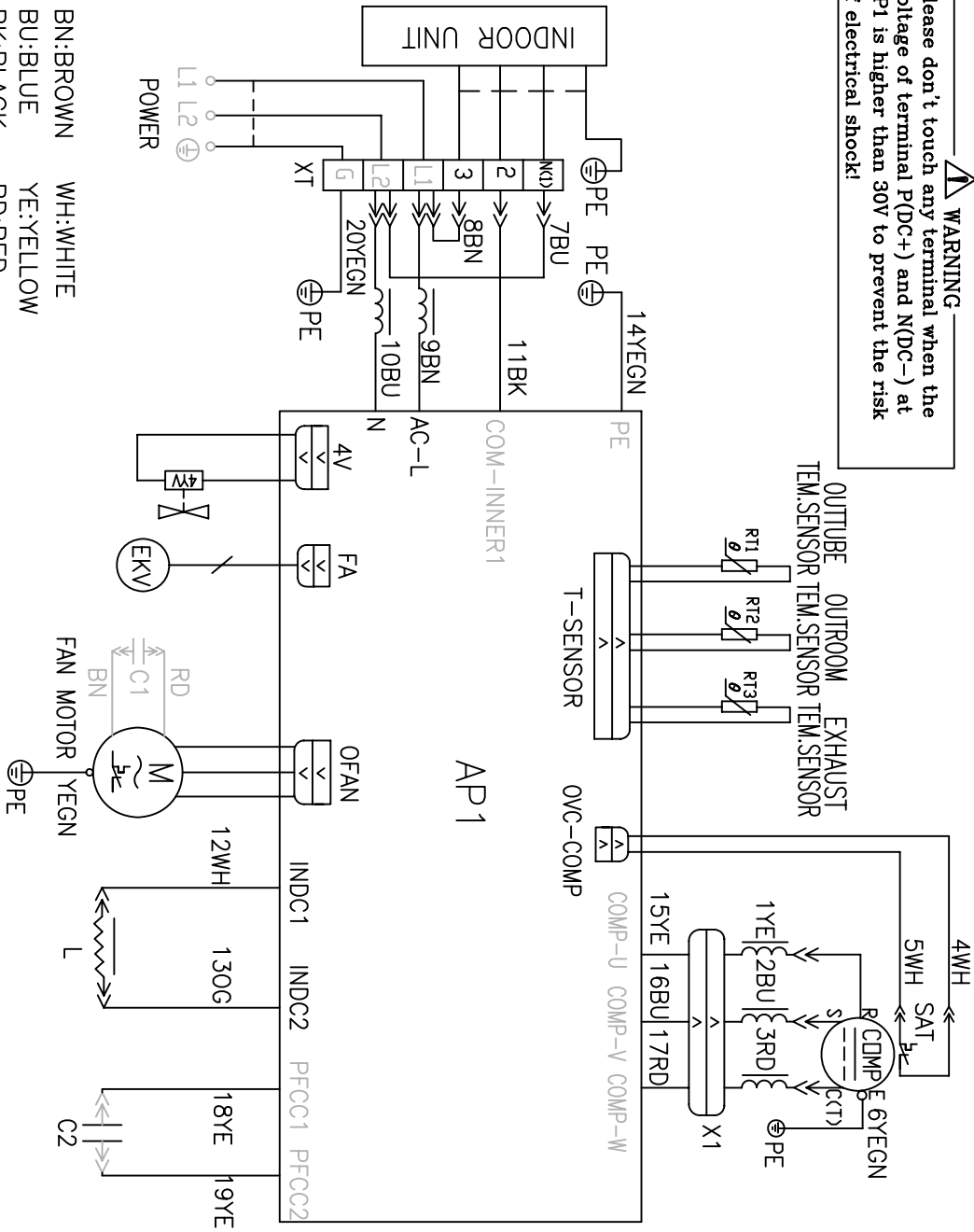
170±1

166±1

⚠ WARNING
 Please don't touch any terminal when the voltage of terminal P(DC+) and N(DC-) at AP1 is higher than 30V to prevent the risk of electrical shock!

BN: BROWN
 BU: BLUE
 BK: BLACK
 YEGN: YELLOW GREEN
 OG: ORANGE

WH: WHITE
 YE: YELLOW
 RD: RED
 GREEN



OUTDOOR UNIT
 63633058

AP1

4-R2
 4-R4