



# Home Comfort

FRA144HT2

## Through-The-Wall Air Conditioner



### Signature Features

#### Effortless™ Remote Temperature Control

A thermostat located on your air conditioner's remote control precisely maintains preset room temperature, so you will remain comfortable at all times.

#### Remote Control

Allows you to precisely control the temperature and fan speed from across the room.

#### Ready-Select™ Controls

Easily select options with the touch of a button.

#### Effortless™ Clean Filter

Our anti-microbial filter cleans the air, removing harmful bacteria.

### Product Dimensions

Height	14-1/2"
Width	24"
Depth	20-1/2"

### More Easy-To-Use Features

#### Multi-Speed Fan

Features three different fan speeds, for more cooling flexibility.

#### Sleep Mode

Quiet operation keeps you cool without keeping you awake. Plus, Sleep Mode gradually increases room temperature after being activated.

#### Quickly Cools

#### Comfort Control Design

Easily control the direction of your cool air, wherever your unit is.

#### Effortless™ Restart

Automatically resumes operating at its previous settings when power is restored to your unit.

#### Clean Filter Alert

#### Power Cord

Comes with an extra long three-prong cord that makes extension cords unnecessary.

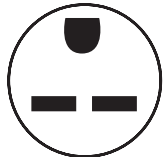
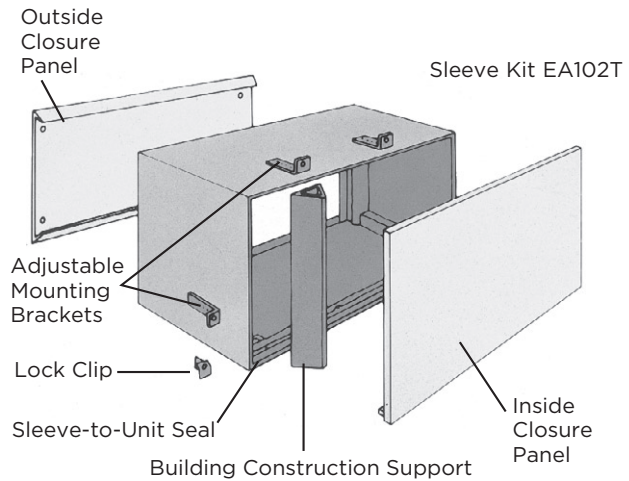
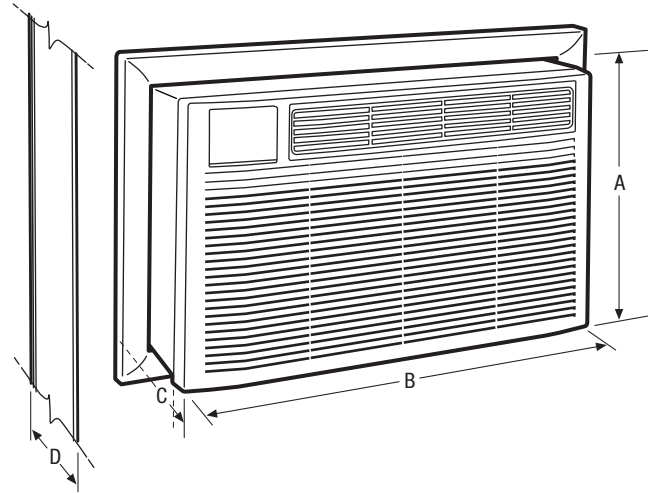
#### SpaceWise® Adjustable Design

Optional Side Panels extend so you can adjust your unit to fit your window.

#### 24 Hour On/Off Timer

Performance	BTUs
Cool	14,000/13,600

<b>Performance</b>	
BTU (Cool)	14,000/13,600
Dehumidification (Pints/Hour)	4.3
Cool Area (Sq. Ft.)	640
Energy Efficiency Ratio	9.0
<b>Electrical</b>	
Volts	230/208
Amps (Cool)	7.0/7.9
Watts (Cool)	1,550/1,520
Length of Power Cord	6'
Plug Type (NEMA)*	LCDI (B)
<b>Features</b>	
Electronic Controls	Ready-Select™ Controls
Fan Speeds (Cool/Fan)	3/3
Low Voltage Start-Up	Yes
Auto Cool Function	Yes
Energy Save	Yes
Sleep Mode	Yes
Filter Check	Yes
24 Hour On/Off Timer	Yes
Clean Air Ionizer	
Remote Control	Full-Function Remote T'Stat
Air CFM (High/Med/Low)	302/279/252
Air Direction Control	4-Way
Fresh Air/Exhaust Vent/Closed	No/No/Yes
Filter Type	Antimicrobial Mesh
Filter Access	Slide-Out
Slide-Out Chassis	
Cabinet Louvers	
Rear Grille	Yes
Window Mounting Kit	Universal Trim Kit
<b>Optional Accessories</b>	
Window Mount Kit	EA102T
Outside Grille	EA109T
<b>Certifications</b>	
Performance	AHAM
<b>Specifications</b>	
Refrigerant	R410a
Shipping Weight (Approx.)	85 Lbs.



\*Plug Type (NEMA)  
(B) 6-15P

NOTE: For planning purposes only. Always consult local and national electric codes. Refer to Product Installation Guide for detailed installation instructions on the web at [frigidaire.com](http://frigidaire.com).



Product Dimensions	
A - Height	14-1/2"
B - Width	24"
C - Depth	20-1/2"
D - Max. Wall Thickness	18"

Wall Cutout Dimensions	
Height	15-1/4"
Width	25-1/2"

Accessories information available on the web at [frigidaire.com](http://frigidaire.com)

FRIGIDAIRE

USA • 10200 David Taylor Drive • Charlotte, NC 28262 • 1-800-FRIGIDAIRE • [frigidaire.com](http://frigidaire.com)  
 CANADA • 5855 Terry Fox Way • Mississauga, ON L5V 3E4 • 1-800-265-8352 • [frigidaire.ca](http://frigidaire.ca)  
 FRA144HT2 10/10

© 2010 Electrolux Home Products, Inc.

Specifications subject to change.  
 Printed in the U.S.A.