



Single Wall Ovens

FGB24S5A S/B

24" Gas



Product Dimensions

Height	38-7/16"
Width	23-7/8"
Depth	25-3/8"

More Easy-To-Use Features

Vari-Broil™ Option

Allows you to choose between two heat levels.

Large Window

Our large oven window lets you easily see what's inside.

Bright Oven Lighting

Our bright lighting makes it easy to see what's inside.

Delay Clean

Delay Bake

Oven Lock-Out

Timer Function

Timed Cook Option

Timer Lock-Out

Auto Shut-Off

As an extra safety measure, the oven will automatically shut off after 12 hours.

Sabbath Mode (Star-K® Certified)

Available in:



White
(S)



Black
(B)

Signature Features

Ready-Select™ Controls

Easily select options or control cooking temperature with our easy-to-use controls.

Large Capacity

Our large capacity oven gives you room to cook more at once.

Store-More™ Storage Drawer

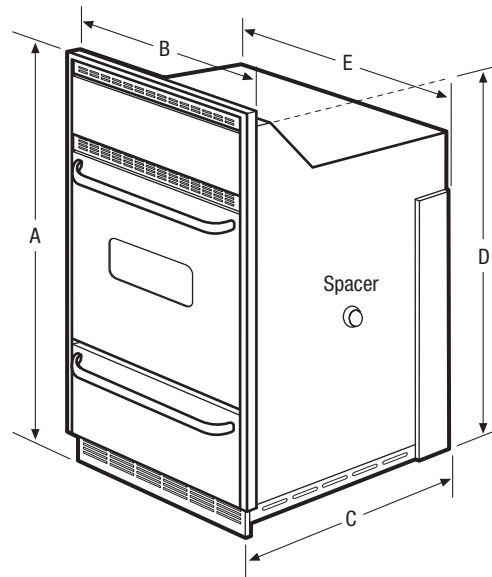
Our convenient drawer gives you extra storage space in your kitchen.

Self-Cleaning

Ovens clean themselves—so you don't have to.

Features	
Oven Control/Timing System	Ready-Select™
Window	Large
Exterior Door Finish	Color-Coordinated
Handle Design	Color-Coordinated
Oven Cleaning System	Self Clean
Drawer Functionality	Storage Drawer
Oven Controls	
Bake/Broil	Yes/ Variable (Hi - Lo)
Convection Conversion	
Convection Bake/Broil/Roast	
Quick Bake Convection	
PowerPlus™/Quick Preheat	
My Favorite	
Chicken Nugget Button	
Pizza Button	
Keep Warm	
Add-a-Minute	
Delay Bake	Yes
Self-Clean	Yes
Rapid/Quick Clean Option	
Delay Clean	Yes
Kitchen Timer	Yes
Timed Cook Option	Yes
Control Lock	Yes
Auto Oven Shutoff	12 Hours
Oven Lock-Out	
Oven Features	
Capacity (Cu. Ft.)	2.9
Convection System	
Oven Light	1
Hidden Bake Element	
Rack Configuration	2 Racks
Baking System	Regular
Broiling System	Vari-Broil™
Bake/Broil Element (BTU)	14,000/12,000
Certifications	
A.D.A. Compliant	
Sabbath Mode (Star-K® Certified)	Yes
Specifications	
Oven Interior (H x W x D)	16" x 17" x 18-1/2"
Power Supply Connection Location	Right Bottom Rear
Gas Supply Connection Location	Right Bottom Rear
Voltage Rating	240V / 208V / 60Hz
Connected Load (kW Rating) @ 240/208 Volts ¹	.001/.001
Amps @ 240/208 Volts	5.0/5.0
Minimum Circuit Required (Amps)	15
Approved for Under-Counter Installation	
Shipping Weight (Approx.)	200 Lbs.

¹Single phase 3- or 4-wire cable, 120/240 or 120/208 Volt, 60 Hertz AC only electrical supply with ground required on separate circuit fused on both sides of line.



NOTE: For planning purposes only. Always consult local and national electric and gas codes. Refer to Product Installation Guide for detailed installation instructions on the web at frigidaire.com.



Product Dimensions	
A - Height	38-7/16"
B - Width	23-7/8"
C - Depth	25-3/8"
D - Height (Wrapper)	37-3/8"
E - Width (Wrapper)	21-11/16"
Depth with Door Open 90°	43"

Cutout Dimensions	
Height (Min.)	37-1/2"
Height (Max.)	39"
Width (Min.)	22"
Depth (Min.)	23-1/2"

Accessories information available on the web at frigidaire.com

FRIGIDAIRE

USA • 10200 David Taylor Drive • Charlotte, NC 28262 • 1-800-FRIGIDAIRE • frigidaire.com
 CANADA • 5855 Terry Fox Way • Mississauga, ON L5V 3E4 • 1-800-265-8352 • frigidaire.ca

FGB24S5A 07/10

© 2010 Electrolux Home Products, Inc.

Specifications subject to change.
 Printed in the U.S.A.