



# Warmer Drawer

FPWD3085K F

30" Electric



## Product Dimensions

Height	11-1/4"
Width	30"
Depth	23-3/8"
Depth with Drawer Fully Extended	39-3/4"

## More Easy-To-Use Features

### Large Capacity

Large enough to keep several dishes warm until dinner is ready.

### Adjustable Humidity Control

Keep food moist and delicious until it's time to eat.

### Indicator Light

Signals when the Warmer Drawer is on.

A.D.A. Compliant<sup>1</sup>

## Available in:



Stainless  
(F)

<sup>1</sup>When properly installed, meets the appliance standards in the Americans with Disabilities Act and the Architectural Barriers Act Accessibility Guidelines as published by the United States Access Board on June 23, 2004, as amended August 5, 2005.

## Signature Features



### Pro-Select™ Controls

Precise control at your fingertips.



### Keep Warm Drawer

Keep food warm until everything — and everyone — is ready.



### Real Stainless Steel

Real stainless steel with a protective coating that reduces fingerprints and smudges so it's easy to clean.



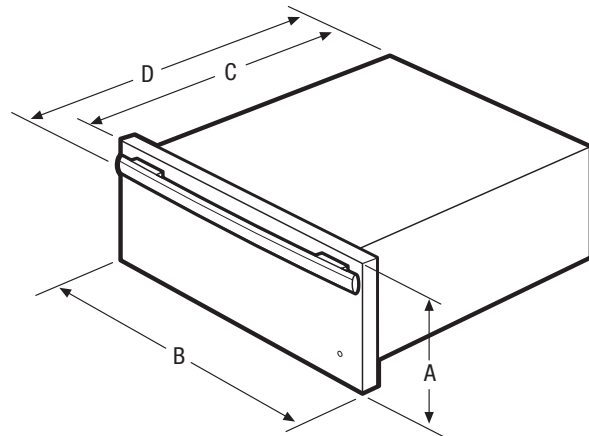
### SpaceWise® Half Rack

Flexible rack system that adjusts to cook multiple dishes at once. Remove the half rack and you'll have extra height for tall dishes.

Features	
Capacity (Cu. Ft.)	1.6
Oven Control / Timing System	Pro-Select™
Exterior Drawer Finish	Real Stainless Steel
Handle Design	Stainless Steel
4-Hour Auto Power Off	Yes
SpaceWise® Half Rack	Yes
Fully Extendable Drawer	Yes
Humidity Control	Yes
Bread Proofing	Yes
Power Indicator Light	Yes
Bake Element (Watts)	450
Temperature Range	80°F - 190°F
Certifications	
A.D.A. Compliant <sup>1</sup>	Yes
Sabbath Mode (Star-K® Certified)	
Specifications	
Drawer Interior (H x W x D)	5-1/4" x 20-1/4" x 17"
Power Supply Connection Location	Right Bottom Rear
Voltage Rating	120V / 60 Hz / 15A
Connected Load (kW Rating) @ 120 Volts <sup>2</sup>	0.5
Amps @ 120 Volts	3.8
Minimum Circuit Required (Amps)	15
Approved for Under-Counter Installation	Yes
Shipping Weight (Approx.)	60 Lbs.

<sup>1</sup>When properly installed, meets the appliance standards in the Americans with Disabilities Act and the Architectural Barriers Act Accessibility Guidelines as published by the United States Access Board on June 23, 2004, as amended August 5, 2005.

<sup>2</sup>For use on adequately wired 120V, dedicated circuit having 2-wire service with a separate ground wire. Appliance must be grounded for safe operation.



**NOTE:** For planning purposes only. Always consult local and national electric codes. Refer to Product Installation Guide for detailed installation instructions on the web at [frigidaire.com](http://frigidaire.com).



Product Dimensions	
A - Height	11-1/4"
B - Width	30"
C - Depth	23-3/8"
D - Depth with Drawer Fully Extended	39-3/4"

Cutout Dimensions -	
Height (min.) / (max.)	9-7/8" / 10-1/4"
Width (min.) / (max.)	28-1/2" / 28-3/4"
Depth (min.)	23-5/8"

Accessories information available on the web at [frigidaire.com](http://frigidaire.com)

**FRIGIDAIRE**

USA • 10200 David Taylor Drive • Charlotte, NC 28262 • 1-800-FRIGIDAIRE • [frigidaire.com](http://frigidaire.com)  
CANADA • 5855 Terry Fox Way • Mississauga, ON L5V 3E4 • 1-800-265-8352 • [frigidaire.ca](http://frigidaire.ca)

FPWD3085K 09/10

© 2010 Electrolux Home Products, Inc.

Specifications subject to change. Printed in the U.S.A.