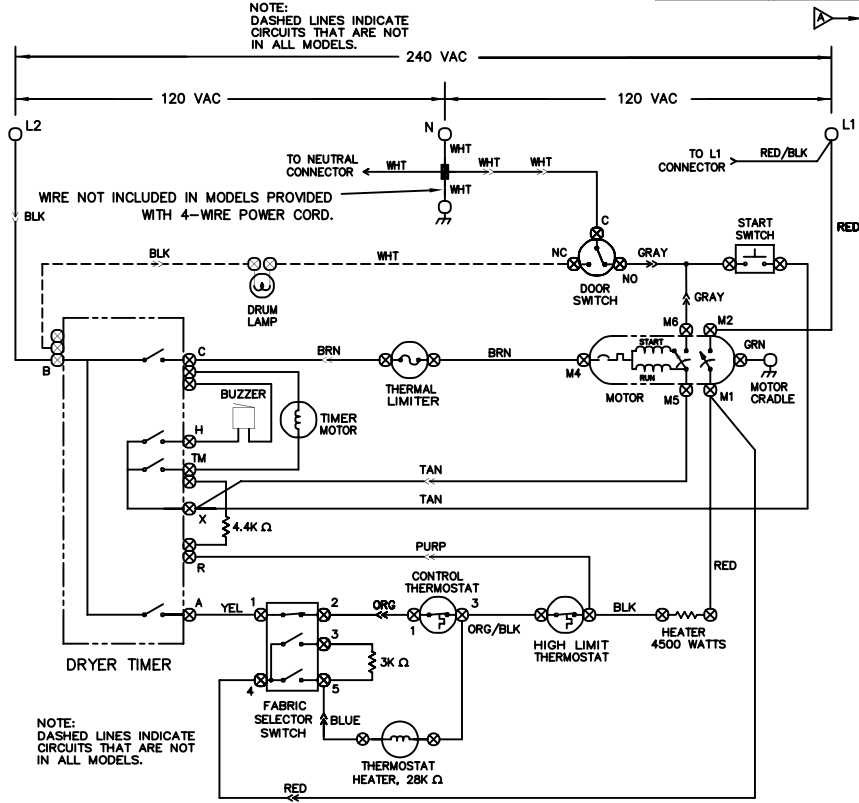
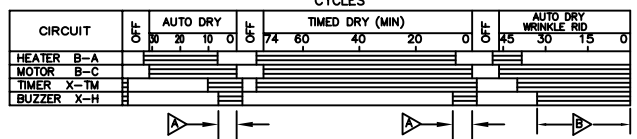
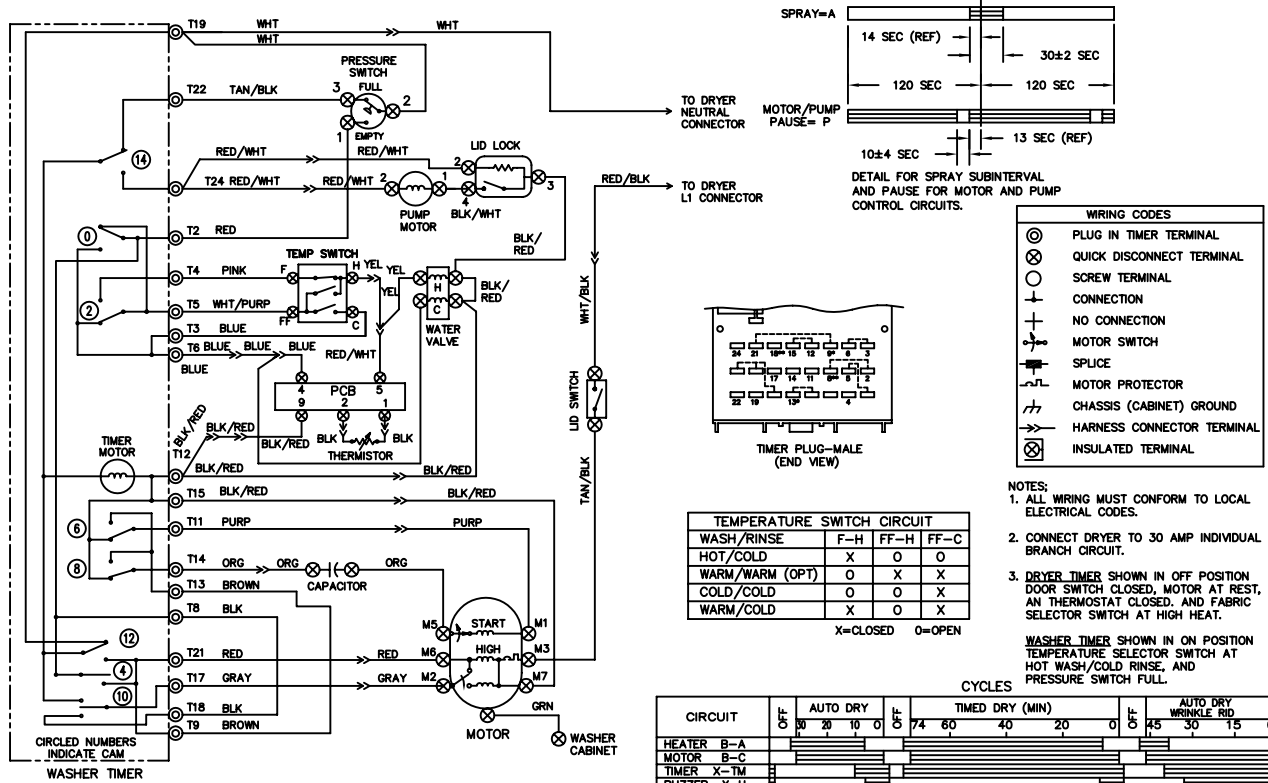
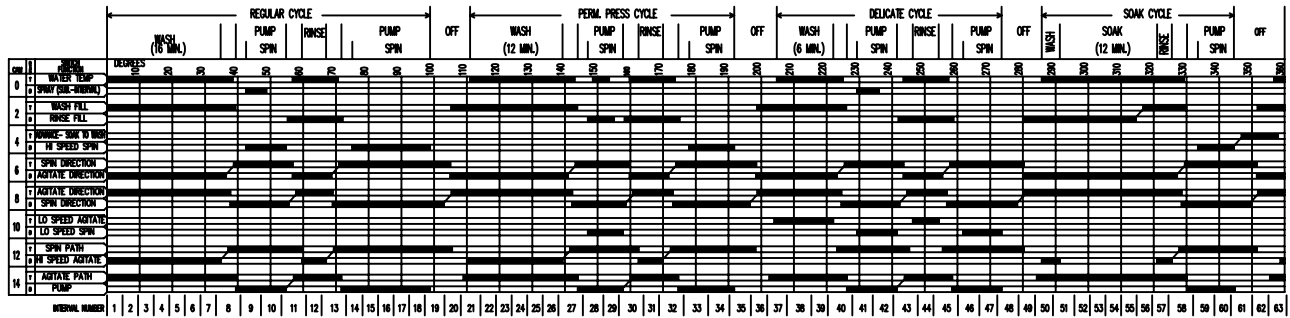


CAUTION: DISCONNECT ELECTRIC CURRENT BEFORE SERVICING



THE BAR CHART ABOVE REPRESENTS ONE COMPLETE REVOLUTION OF TIMER SHAFT.

SHADED PORTION OF BAR CHART INDICATES THE PROPORTIONAL TIMES THAT INTERNAL TIMER CONTACTS ARE CLOSED.

A PULSER CAM, LOCATED NEXT TO THE BUZZER CAM AND ROTATING AT 12 REVELUTIONS PER HOUR, ALLOWS CIRCUIT "X-H" TO CLOSE FOR 5 SECONDS (±3 SECONDS)

▶ 1 OR 2 TIMES IN THIS AREA

▶ 6 TO 8 TIMES IN THIS AREA

POSITION	1-2	3-4	4-5
NO HEAT	0	0	0
LOW HEAT	X	0	X
MEDIUM HEAT	X	X	0
HIGH HEAT	X	0	0

X=CLOSED 0= OPEN