



# Single Wall Ovens

FEB24S2A S/B

24" Electric



## Product Dimensions

Height	30-3/4"
Width	23-7/8"
Depth	25-3/8"

## More Easy-To-Use Features

### Large Window

Our large oven window lets you easily see what's inside.

### Timer Function

### Manual-Clean Oven

Available in:



White  
(S)



Black  
(B)

## Signature Features

### Ready-Select™ Controls

Easily select options or control cooking temperature with our easy-to-use controls.

### Even Baking Technology

Our latest technology ensures even baking every time.

### Vari-Broil™ Option

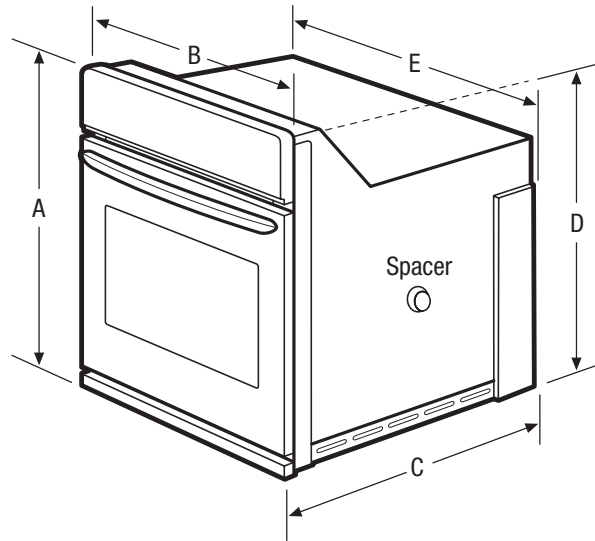
Allows you to choose between two heat levels.

### Bright Oven Lighting

Our bright lighting makes it easy to see what's inside.

Features	
Oven Control/Timing System	Ready-Select™
Window	Large
Exterior Door Finish	Color-Coordinated
Handle Design	Color-Coordinated
Oven Cleaning System	Manual Clean
Oven Controls	
Bake/Broil	Yes/ Variable (Hi - Lo)
Convection Conversion	
Convection Bake/Broil/Roast	
Quick Bake Convection	
PowerPlus™/Quick Preheat	
My Favorite	
Chicken Nugget Button	
Pizza Button	
Keep Warm	
Add-a-Minute	
Delay Bake	
Self-Clean	
Rapid/Quick Clean Option	
Delay Clean	
Kitchen Timer	Yes
Timed Cook Option	
Control Lock	
Auto Oven Shutoff	
Oven Lock-Out	
Oven Features	
Capacity (Cu. Ft.)	3.2
Convection System	
Oven Light	1
Hidden Bake Element	
Rack Configuration	2 Handle Racks
Baking System	Even Baking Technology
Broiling System	Vari-Broil™
Bake/Broil Element (Watts)	2,100 / 3,400
Certifications	
A.D.A. Compliant	
Sabbath Mode (Star-K® Certified)	
Specifications	
Oven Interior (H x W x D)	16" x 18-1/2" x 18-1/2"
Power Supply Connection Location	Left Bottom Rear
Voltage Rating	240V / 208V / 60Hz
Connected Load (kW Rating) @ 240/208 Volts <sup>1</sup>	3.4/2.6
Amps @ 240/208 Volts	14.5/12.5
Minimum Circuit Required (Amps)	20
Approved for Under-Counter Installation	
Shipping Weight (Approx.)	130 Lbs.

<sup>1</sup>Single phase 3- or 4-wire cable, 120/240 or 120/208 Volt, 60 Hertz AC only electrical supply with ground required on separate circuit fused on both sides of line.



NOTE: For planning purposes only. Always consult local and national electric codes. Refer to Product Installation Guide for detailed installation instructions on the web at [frigidaire.com](http://frigidaire.com).



Product Dimensions	
A - Height	30-3/4"
B - Width	23-7/8"
C - Depth	25-3/8"
D - Height (Wrapper)	28-3/32"
E - Width (Wrapper)	21-11/16"
Depth with Door Open 90°	43-3/4"

Cutout Dimensions	
Height (Min.)	28-1/8"
Height (Max.)	30-1/8"
Width (Min.)	22"
Width (Max.)	22-1/4"
Depth (Min.)	23-1/2"

Accessories information available on the web at [frigidaire.com](http://frigidaire.com)