



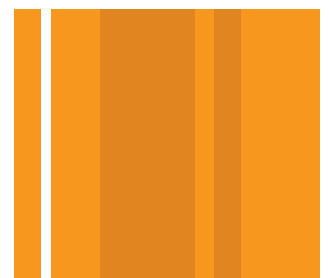
DESIGN **LORENZO LISPI, FABRIZIO CRISÀ**

Ola

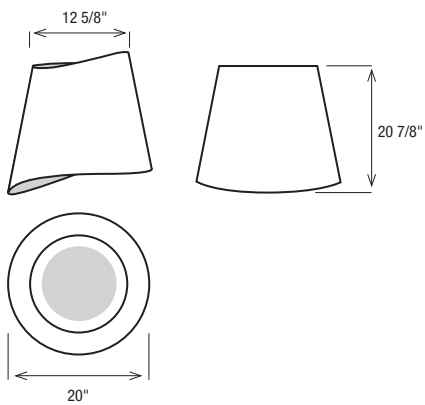
"EVOLUTION" FLOATING HOOD

elica
COLLECTION

Ola brings a powerful, glamorous presence into your kitchen and other rooms within the home. Soft, sensuous lines sway through the dynamic contrast of color from within. Ola's visual impact combines with the innovation of Elica's Evolution system, to deliver ventilation and "air purification," plus lighting with a European flair. For kitchen or home, Ola will deliver a splash!



Ola



MODEL#	FINISH	DIMENSIONS			SHIPPING LBS.
		WIDTH	DEPTH	HEIGHT	
EOL320RD	Bright & Red	20"	20"	21"	32
EOL320BU	Bright & Blue	20"	20"	21"	32
EOL320GR	Pearl & Green	20"	20"	21"	32
EOL320VL	Pearl & Violet	20"	20"	21"	32

Blower Performance

SPEED LEVEL	AIRFLOW IN CFM (cubic feet per minute)	SOUND LEVEL (IN SONES)
1	110	0.3
2	220	2.1
3	350	3.8



Electrical:

AC Input: 120V - 60Hz AC Power Max.: 450W at 4.0 Amps

3-Speed 350 CFM Internal Blower

Light Soft Controls – Discreet, softly cushioned buttons gently illuminate with just a touch, for easy control of blower speed and lighting.

Halogen Lighting – Two bright 12V, 20W bulbs tastefully illuminate the cooking area.

Dishwasher-Safe Aluminum Mesh Filter – Removes airborne grease.

Long-Life Charcoal Filter – Removes odors and purifies the air.

Designed for Recirculating Installation – Anodized aluminum mesh filter removes grease, while the long-life charcoal filter purifies the air and recirculates it back into the home.

