

Rimini

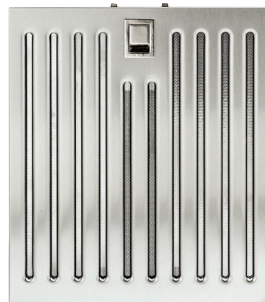


WALL-MOUNT HOOD (PROFESSIONAL STYLE COOKING)

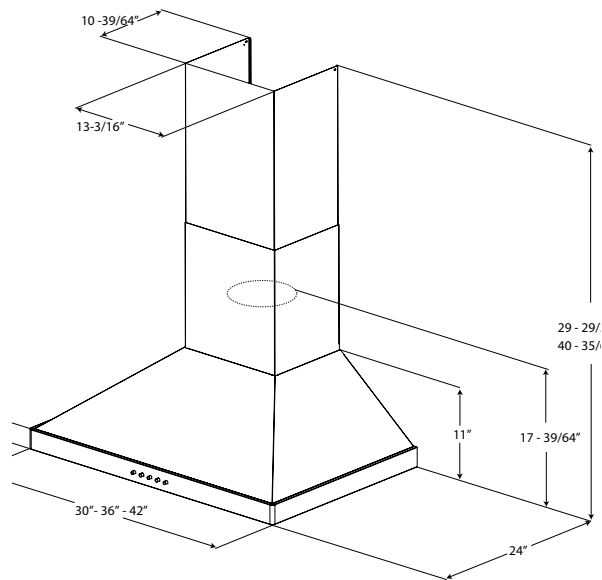
Rimini's crisp lines and gleaming stainless steel provide professional cooking with a sense of "Style". Available in 30", 36" and 42" widths, the Rimini is equipped with a powerful 600 CFM blower and heavy duty push button controls that regulate 4 blower speeds and 3 halogen light settings. Easy maintenance, higher efficiency and a cleaner kitchen are ensured by Elica's patented Baffle Slot Filters, which capture a higher percentage of grease and hold larger volumes of grease than traditional baffle filters.

FEATURES

- **Heavy Duty Push Button Controls**
- **600 CFM 3-Speed Internal Blower**
- **2 Halogen Lamps** (110V 50W bulbs included)



- **Stainless Steel Baffle Slot Filters** (2 included with 30", 3 with 36" and 42" model) - The patented, innovative design of these commercial-grade filters capture and hold larger quantities of grease than mesh filters, without affecting blower performance or increasing noise levels, and require less frequent cleaning.
- **Telescopic Chimney Extension** – For ceiling heights 7' 3" to 9'2"
- **8" Round Duct Transition**
- **One-Way No Return Valve** eliminates outside air drafts.



MODEL NUMBER	FINISH	DIMENSIONS			SHIPPING WEIGHT
		WIDTH	DEPTH	HEIGHT	
EMZ630SS	Stainless Steel	30"	24"	11"	59 lbs
EMZ636SS	Stainless Steel	36"	24"	11"	65 lbs
ERM642SS	Stainless Steel	42"	24"	11"	75 lbs

HOOD MOUNTING HEIGHT ABOVE COOKING SURFACE

GAS		ELECTRIC	
minimum	maximum	minimum	maximum
30"	34"	24"	30"

CHIMNEY HEIGHT (based on recommended mounting heights listed above)

DUCTED		RECIRCULATING	
Gas min./max.	Electric min./max.	Gas min./max.	Electric min./max.
7' 8" - 9' 2"	7' 3" - 8' 10"	n/a	n/a

BLOWER PERFORMANCE

SPEED LEVEL	AIRFLOW IN CFM (CUBIC FEET PER MINUTE)	SOUND LEVEL (IN SONES)
1	310	3.2
2	475	6.0
3	600	8.2



ELECTRICAL:

AC Input: 120V - 60Hz, AC Power Max.: 490W at 4.1 Amps