

RSD30

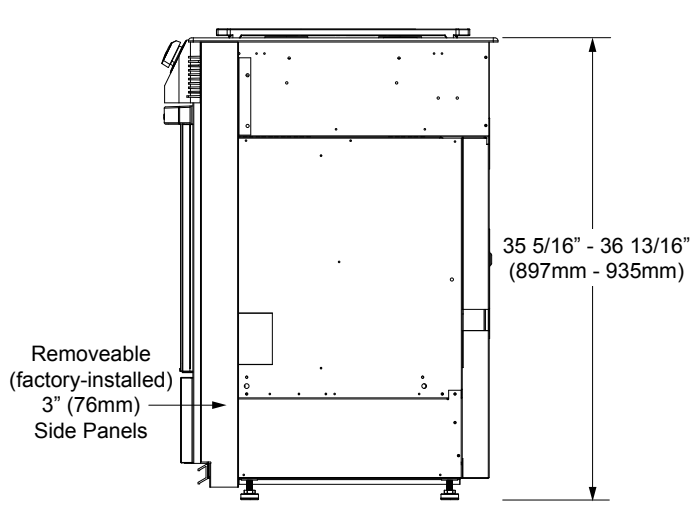
dacor
The life of the kitchen™

092105

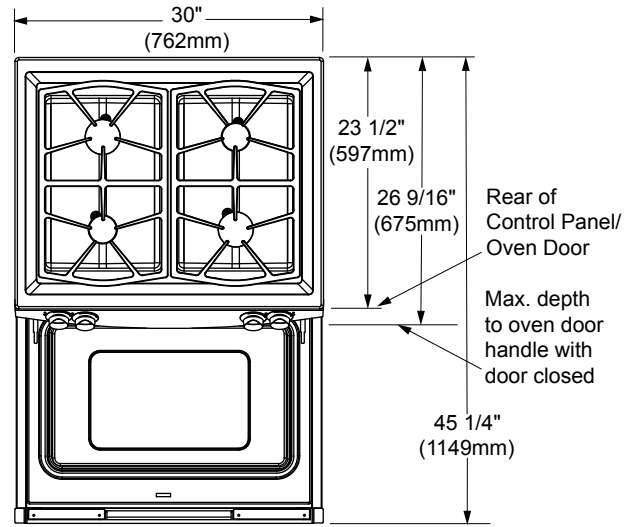
30" Wide, Preference™ Range

1/2

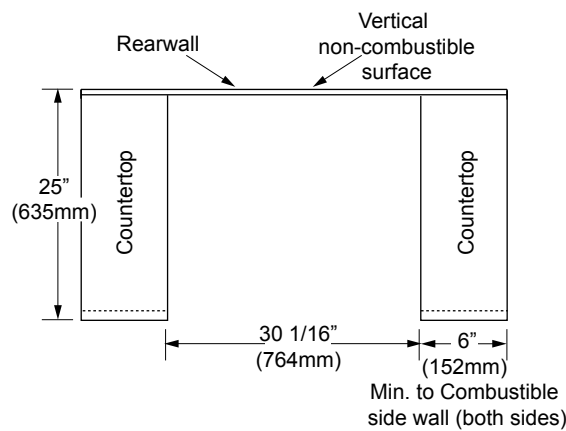
PLANNING GUIDE



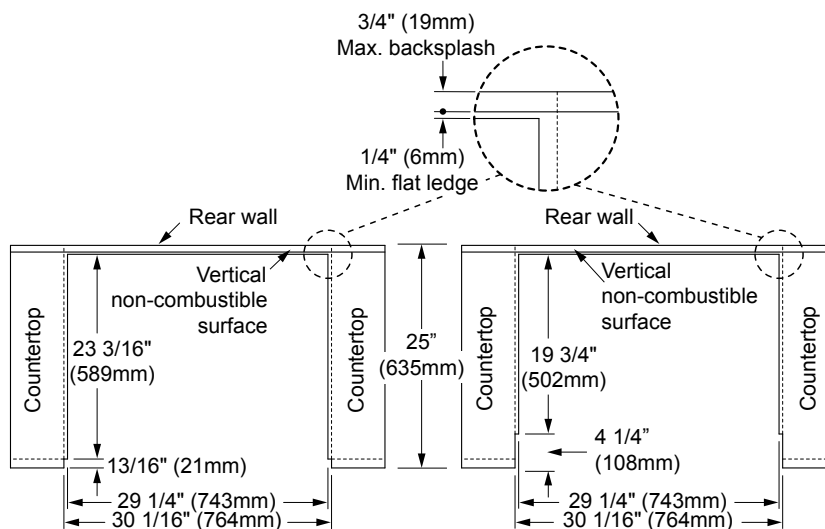
OVERALL DIMENSIONS



OVERALL DIMENSIONS
(Door Open)



TOP VIEW
COUNTERTOP CABINET DIMENSIONS
(Slide-In, Freestanding Installation)

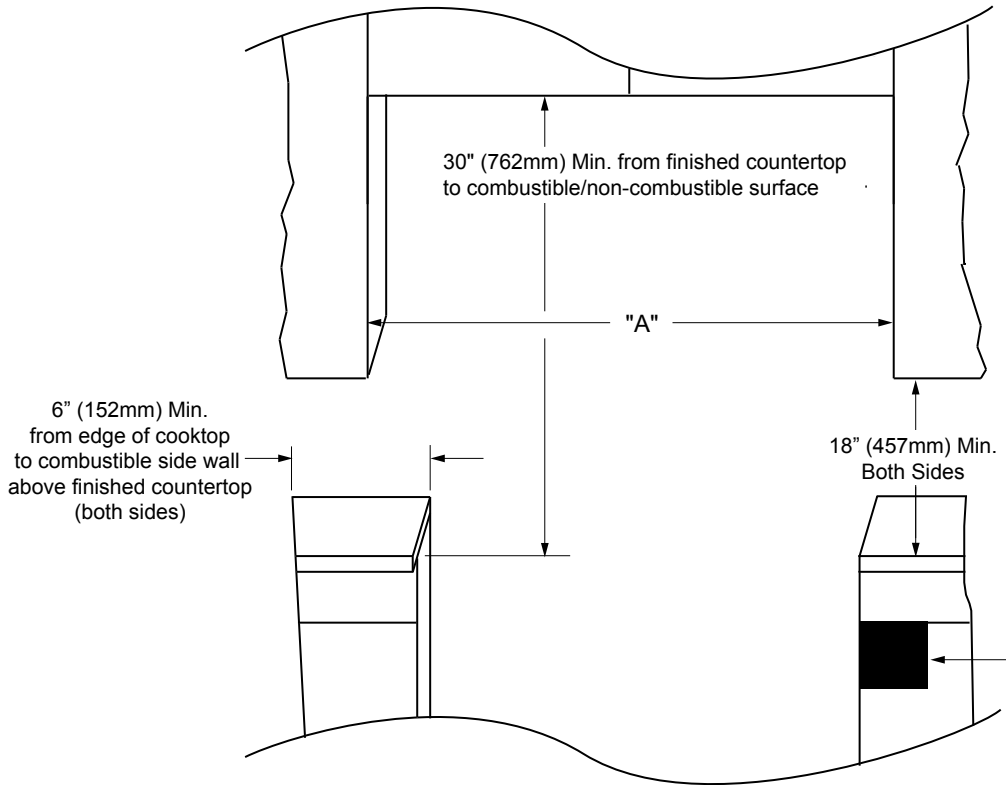


CUTOUT DIMENSIONS

(Slide-In, Self-Rimming Installation with Side Panels and Backguard Removed)

(Slide-In, Self-Rimming Installation using accessory 3" Side Panels, Backguard Removed)

RSD30



UPPER CABINET DIMENSIONS
(Upper Cabinets 13" (330mm) Maximum Depth)

Model No.	"A" Min. Hood Width	"A" Recommended Hood Width
RSD30	30" (762mm)	36" (914mm)
RSD30LP		

Model No.	Dedicated Circuit Required	Total Connected Load	Gas Type	Approximate Shipping Weight
RSD30	240VAC, 4-wire, 60Hz, 30A (Breaker)	5.8kW (24A)	Natural	292 lbs.
RSD30LP			Liquid Propane	

NOTES:

1. Electrical is located in the right rear corner of the unit.
2. Gas is located on the left side of the unit.
3. Range is supplied with a 60" (1524mm) long 240V 4-wire conduit, located in the right rear corner.
4. Electrical may be located in the lower left corner of the adjacent right cabinet (Recommended). Gas may be located in the lower right corner of the adjacent left cabinet (Recommended).
5. Alternate location, in the lower right corner behind the range. (Some building departments do not permit concealing gas valves behind appliances.)
6. Contact your local building department to verify compliance with local code interpretation.
7. RSD30 Ranges can be installed with slim (ERV/PRV) downdraft ventilation.
8. See the Combination Installation (CI) Section if installing with a downdraft.