



# VENTILATION

## Professional Built-In 18"H. Wall Hood/Chimney Wall Hood



### Standard Features & Accessories

#### All models include

- Must also purchase interior, exterior or in-line ventilator kit, sold separately (see **Installation Notes & Accessories** for recommended Viking ventilator products)
- Heavy-duty construction; Professional-type size, design, and styling
  - Virtually seamless stainless steel design with no visible screws
- Heat sensor turns the ventilator on full power when cooking temperatures reach uncomfortable levels
- Easy cleanup
  - Commercial-type baffle filter system efficiently removes grease and heated vapors from the air; especially designed for use with commercial-type products
    - See **Dimensions & Specifications** table for number of filters per model
  - Design of low-profile filter system means less interior hood space to be cleaned
  - Canopy interior is completely lined in stainless steel for increased rigidity, seamless appearance, and easy cleaning
  - Separate removable trough catches liquefied grease

- Heat lamp(s) standard—250-watt bulb(s) not included
  - See **Dimensions & Specifications** table for number of lamps per model
  - High-shelf (cooking product accessory) or warming shelf panel (see **Installation Notes & Accessories**) should be installed for use with heat lamp
- 50-watt halogen lights with dimmer control
  - Power switch and dimmer control are separate, allowing you to leave dimmer at favorite position
  - See **Dimensions & Specifications** table for number of lights per model

#### Extra feature on chimney wall hoods

- Adjustable duct cover (for 8' – 9' ceilings) is standard

#### Model numbers\*

##### WALL HOODS, 24"D.\*\*

- VWH24481—24"W.
- VWH30481—30"W.
- VWH36481—36"W.
- VWH42481—42"W.
- VWH48481—48"W.
- VWH54481—54"W.
- VWH60481—60"W.
- VWH66481—66"W.

##### WALL HOODS, 27"D.

- VWH36781—36"W.
- VWH48781—48"W.
- VWH60781—60"W.

##### CHIMNEY WALL HOODS, 24"D.\*\*

- VCWH3048—30"W.
- VCWH3648—36"W.
- VCWH4248—42"W.
- VCWH4848—48"W.
- VCWH5448—54"W.
- VCWH6048—60"W.
- VCWH6648—66"W.

\*A 1,200 CFM interior or 1,500 CFM exterior (if applicable) ventilator should be used when installed over ranges/rangetops with gas grill.

\*\*Tests show 24"D. hoods perform properly over 27"D. ranges.

### Model Options



VWH Professional Wall Hood



VCWH Professional Chimney Wall Hood

#### FINISH DETAILS

- Stainless Steel (SS), Black (BK), White (WH), Metallic Silver (MS), Graphite Gray (GG), Stone Gray (SG), Taupe (TP), Biscuit (BT), Cotton White (CW), Oyster Gray (OG), Golden Mist (GM), Lemonade (LE), Sage (SA), Mint Julep (MJ), Sea Glass (SE), Iridescent Blue (IB), Viking Blue (VB), Pumpkin (PM), Racing Red (RR), Apple Red (AR), Burgundy (BU), Plum (PL), Chocolate (CH), and Cobalt Blue (CB).

- Finish designates front and sides.
- Accessory Rail Option—Front of hood. (Must be ordered factory installed)
  - Stainless Steel/Chrome (CR)—Stainless steel rail with chrome supports/brackets and hooks (included).

- Brass Accent Option (BR)—nameplate, rail, supports/brackets, and hooks (included). Brass components have a durable protective coating for maintenance-free normal use.

#### ORDERING INSTRUCTIONS

First specify model number, followed by color code (VWH24481**SS**). If ordering optional decorative rail, specify code at end (VWH24481**SSCR**).





# VENTILATION

## Professional Built-In 18"H. Wall Hood/Chimney Wall Hood



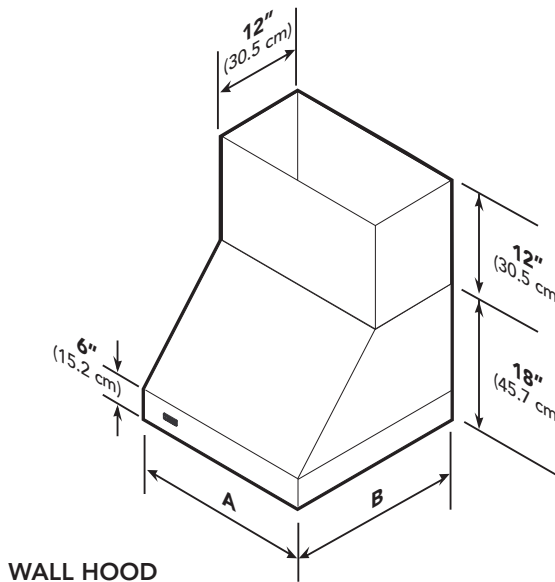
★ Please see Installation Notes & Accessories for important information, including ventilator kits, duct covers, backsplashes, and warming shelf panels.

### Dimensions & Specifications

#### PRODUCT DIMENSIONS



VWH Professional Wall Hood



Model	Hood		Duct Cover			Lights	Filters	Heat Lamps	Approx. Ship. wt.
	Width (A)	Depth (B)	Width	Depth	Height				
VWH24481	23-7/8" (60.6 cm)	24" (61.0 cm)	23-7/8" (60.6 cm)	12" (30.5 cm)	12" (30.5 cm)	2	2	1	52 lbs. (23.6 kg)
VWH30481	29-7/8" (75.9 cm)	24" (61.0 cm)	29-7/8" (75.9 cm)	12" (30.5 cm)	12" (30.5 cm)	2	2	1	60 lbs. (27.0 kg)
VWH36481	35-7/8" (91.1 cm)	24" (61.0 cm)	35-7/8" (91.1 cm)	12" (30.5 cm)	12" (30.5 cm)	2	2	1	68 lbs. (30.6 kg)
VWH42481	41-7/8" (106.4 cm)	24" (61.0 cm)	41-7/8" (106.4 cm)	12" (30.5 cm)	12" (30.5 cm)	2	2	1	76 lbs. (34.2 kg)
VWH48481	47-7/8" (121.6 cm)	24" (61.0 cm)	47-7/8" (121.6 cm)	12" (30.5 cm)	12" (30.5 cm)	3	3	2	88 lbs. (39.6 kg)
VWH54481	53-7/8" (136.8 cm)	24" (61.0 cm)	53-7/8" (136.8 cm)	12" (30.5 cm)	12" (30.5 cm)	3	3	2	96 lbs. (43.2 kg)
VWH60481	59-7/8" (152.1 cm)	24" (61.0 cm)	59-7/8" (152.1 cm)	12" (30.5 cm)	12" (30.5 cm)	4	4	2	108 lbs. (48.6 kg)
VWH66481	65-7/8" (167.3 cm)	24" (61.0 cm)	65-7/8" (167.3 cm)	12" (30.5 cm)	12" (30.5 cm)	4	4	2	121 lbs. (54.5 kg)
VWH36781	35-7/8" (91.1 cm)	27" (68.6 cm)	35-7/8" (91.1 cm)	12" (30.5 cm)	12" (30.5 cm)	2	2	1	74 lbs. (33.3 kg)
VWH48781	47-7/8" (121.6 cm)	27" (68.6 cm)	47-7/8" (121.6 cm)	12" (30.5 cm)	12" (30.5 cm)	3	3	2	94 lbs. (42.3 kg)
VWH60781	59-7/8" (152.1 cm)	27" (68.6 cm)	59-7/8" (152.1 cm)	12" (30.5 cm)	12" (30.5 cm)	4	4	2	114 lbs. (51.3 kg)





# VENTILATION

## Professional Built-In 18"H. Wall Hood/Chimney Wall Hood



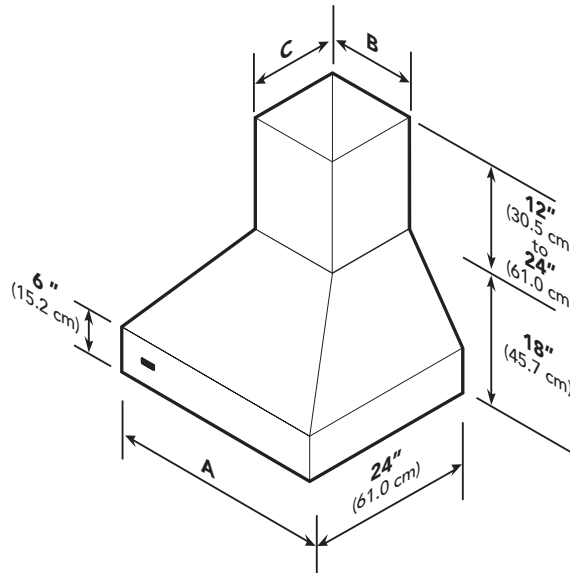
★ Please see Installation Notes & Accessories for important information, including ventilator kits, duct covers, backsplashes, and warming shelf panels.

### Dimensions & Specifications

#### PRODUCT DIMENSIONS



VCWH Professional Chimney Wall Hood



CHIMNEY WALL HOOD

Model	Hood Width (A)	Hood Depth	Width (B)	Duct Cover Depth (C)	Height	Lights	Filters	Heat Lamps	Approx. Ship. wt.
VCWH3048	29-7/8" (75.9 cm)	24" (61.0 cm)	12" (30.5 cm)	12" (30.5 cm)	12" (30.5 cm)— 24" (61.0 cm)	2	2	1	120 lbs. (54.5 kg)
VCWH3648	35-7/8" (91.1 cm)	24" (61.0 cm)	12" (30.5 cm)	12" (30.5 cm)	12" (30.5 cm)— 24" (61.0 cm)	2	2	1	127 lbs. (57.7 kg)
VCWH4248	41-7/8" (106.4 cm)	24" (61.0 cm)	12" (30.5 cm)	12" (30.5 cm)	12" (30.5 cm)— 24" (61.0 cm)	2	2	1	138 lbs. (62.7 kg)
VCWH4848	47-7/8" (121.6 cm)	24" (61.0 cm)	18" (45.7 cm)	12" (30.5 cm)	12" (30.5 cm)— 24" (61.0 cm)	3	2	2	145 lbs. (65.8 kg)
VCWH5448	53-7/8" (136.8 cm)	24" (61.0 cm)	18" (45.7 cm)	12" (30.5 cm)	12" (30.5 cm)— 24" (61.0 cm)	3	3	2	153 lbs. (69.5 kg)
VCWH6048	59-7/8" (152.1 cm)	24" (61.0 cm)	24" (61.0 cm)	12" (30.5 cm)	12" (30.5 cm)— 24" (61.0 cm)	4	4	2	160 lbs. (72.6 kg)
VCWH6648	65-7/8" (167.3 cm)	24" (61.0 cm)	24" (61.0 cm)	12" (30.5 cm)	12" (30.5 cm)— 24" (61.0 cm)	4	4	2	167 lbs. (75.8 kg)





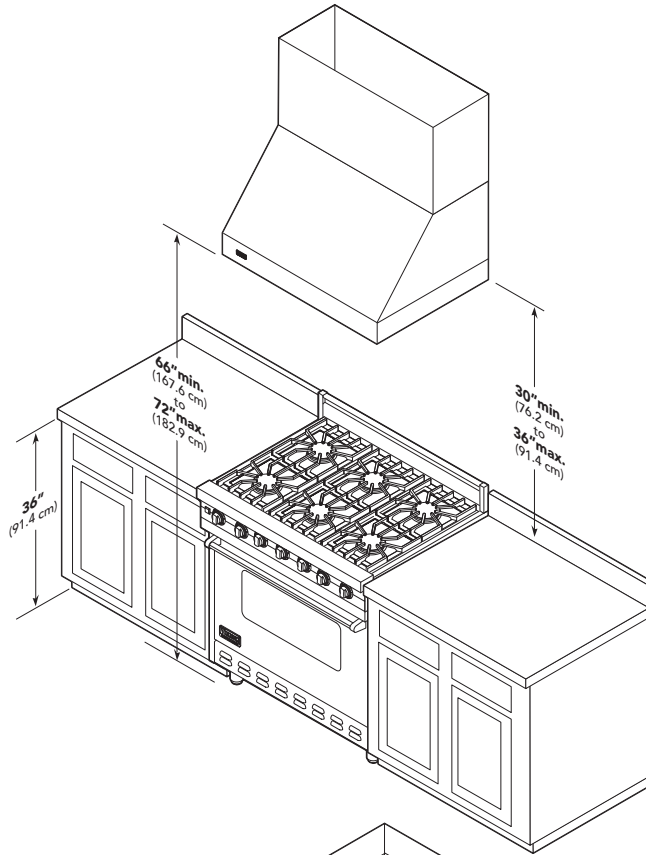
# VENTILATION

## Professional Built-In 18"H. Wall Hood/Chimney Wall Hood

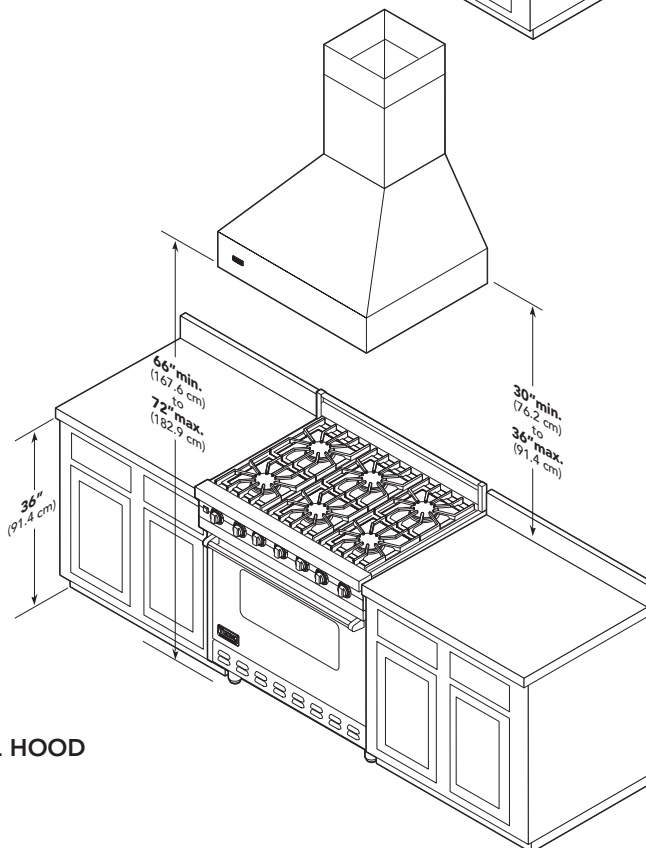


### Dimensions & Specifications

#### CLEARANCE DIMENSIONS



WALL HOOD



CHIMNEY WALL HOOD





# VENTILATION

## Professional Built-In 18"H. Wall Hood/Chimney Wall Hood



### Installation Requirements



Wall Hood



Chimney Wall Hood

### UTILITY REQUIREMENTS

**Proper installation/ducting is extremely important to ensure maximum performance. Use a qualified and trained installer.**



#### DUCTING

- Check with a qualified and trained installer or local codes for makeup air requirements, if any.
- Max. duct run
  - For 300 – 1,200 CFM—50' (15.2 m)
  - For 1,500 CFM—75' (22.9 m)

- Duct run length is for general reference only; always use a qualified and trained installer.
- Straight runs and gradual turns are best; for example, each 90° elbow is equivalent to 5' – 10' (1.52 – 3.05 cm) of straight run.
- 7" round duct for 300 – 600 CFM; 10" for 900 – 1500 CFM
  - Never use flexible duct; it creates back pressure/air turbulence and greatly reduces performance.



#### GAS

Not applicable



#### ELECTRICAL

- Hardwire direct with two-wire with ground
- 120 VAC/60 Hz
- Max. amp usage (rating includes rec. ventilator kit rating)



#### PLUMBING

Not applicable

**Note:** All CFMs are based on tests with 0.1 static pressure. Without applying static pressure (some brands do not), CFM could be greatly overstated.

Model	Ventilator Kits		Duct Size		Max. Amps	
	Interior	Exterior	Interior	Exterior	Interior	Exterior
VWH24481	VINV300/600	DEV900/1200*/DIL900/1200	7" (17.8 cm)	10" (25.4 cm)	5.0/6.2	8.7/6.1
VWH30481	VINV300/600	DEV900/1200*/DIL900/1200	7"(17.8 cm)/10" (25.4 cm)	10" (25.4 cm)	5.0/6.2/8.7	8.7/6.1
VWH36481	VINV300/600/1200*	DEV900/1200*/DIL900/1200	7"(17.8 cm)/10" (25.4 cm)	10" (25.4 cm)	5.0/6.2/8.7	8.7/6.1
VWH42481	VINV600/1200*	DEV900/1200*/DIL900/1200	7"(17.8 cm)/10" (25.4 cm)	10" (25.4 cm)	6.2/8.7	8.7/6.1
VWH48481	VINV1200*	DEV1200/1500**/DIL1200	10" (25.4 cm)	10" (25.4 cm)	11.1	8.4/9.1
VWH54481	VINV1200*	DEV1200/1500**/DIL1200	10" (25.4 cm)	10" (25.4 cm)	11.1	8.4/9.1
VWH60481	VINV1200*	DEV1200/1500**/DIL1200	10" (25.4 cm)	10" (25.4 cm)	11.5	8.8/9.5
VWH66481	VINV1200*	DEV1200/1500**/DIL1200	10" (25.4 cm)	10" (25.4 cm)	11.5	8.8/9.5
VWH36781	VINV300/600/1200*	DEV900/1200*/DIL900/1200	7"(17.8 cm)/10" (25.4 cm)	10" (25.4 cm)	5.0/6.2/8.7	8.7/6.1
VWH48781	VINV1200*	DEV1200/1500**/DIL1200	10" (25.4 cm)	10" (25.4 cm)	11.1	8.4/9.1
VWH60781	VINV1200*	DEV1200/1500**/DIL1200	10" (25.4 cm)	10" (25.4 cm)	11.5	8.8/9.5
VCWH3048	VINV300/600	DEV900/1200*/DIL900/1200	7" (17.8 cm)	10" (25.4 cm)	3.9/6.0	8.7/6.0
VCWH3648	VINV300/600*	DEV900/1200*/DIL900/1200	7" (17.8 cm)	10" (25.4 cm)	3.9/6.0	8.7/6.0
VCWH4248	VINV600*	DEV900/1200*/DIL900/1200	7" (17.8 cm)	10" (25.4 cm)	6.0	8.7/6.
VCWH4848	VINV1200*	DEV1200/1500*/DIL1200	10" (25.4 cm)	10" (25.4 cm)	11.5	8.5/9.2
VCWH5448	VINV1200*	DEV1200/1500*/DIL1200	10" (25.4 cm)	10" (25.4 cm)	11.5	8.5/9.2
VCWH6048	VINV1200*	DEV1200/1500*/DIL1200	10" (25.4 cm)	10" (25.4 cm)	11.9	8.9/9.7
VCWH6648	VINV1200*	DEV1200/1500*/DIL1200	10" (25.4 cm)	10" (25.4 cm)	11.9	8.9/9.7

\* A 1,200 CFM interior- or exterior-power ventilator should be used when installed over range/rangetop with gas char-grill.

\*\* It is recommended that the 1,500 CFM ventilator be used with longer duct runs.

**Note:** Maximum amp rating for hoods includes recommended ventilator kit rating; All products must be hard wired with 2-wire with ground. An interior- or exterior-power ventilator kit must be purchased for installation with all 18"H. hoods.





### ✦ Installation Notes & Accessories

#### Recommended Ventilator Kits

- See **Installation Requirements** table for recommendations for each hood model
- One ventilator, one duct run for any size hood/ventilator
- Variable speed controls for custom venting—separate on/off switch allows you to leave ventilator at favorite/most-used setting
- Choose from interior- or exterior-power ventilator kits
- Must use Viking ventilator kits with Viking hoods; use of non-Viking kits voids product warranty

Kit model	Description	Hood models	Approx. ship wt. lbs. (kg)
VINV300	300 CFM interior-power	VWH/VCWH24481/30481/36481/36781	27 (12.2)
VINV600	600 CFM interior-power	VWH/VCWH24481/30481/36481/36781/42481	27 (12.2)
VINV1200	1,200 CFM interior-power	VWH/VCWH36481/36781/42481/48481/ 48781/54481/60481/60781/66481	43 (19.4)
DEV900	900 CFM exterior-power	VWH/VCWH24481/30481/36481/36781/42481	39 (17.6)
DEV1200	1,200 CFM exterior-power	VWH/VCWH24481/30481/36481/36781/42481/ 48481/48781/54481/60481/60781/66481	53 (23.9)
DEV1500	1,500 CFM exterior-power	VWH/VCWH48481/48781/54481/60481/60781/66481	47 (21.3)
DIL900	900 CFM in-line power	VWH/VCWH24481/30481/36481/36781/42481	20 (9.1)
DIL1200	1,200 CFM in-line power	VWH/VCWH24481/30481/36481/36781/42481/48481/ 48781/54481/60481/60781/66481	25 (11.3)

#### Duct Covers

- Specify finish code following accessory model number (for example, DCW24-SS)
  - Professional models
    - For VWH hoods
    - 12"D.
    - Extends height of hood by 12"—conceals duct
    - Available in Stainless Steel (SS), Black (BK), White (WH), Metallic Silver (MS), Graphite Gray (GG), Stone Gray (SG), Taupe (TP), Biscuit (BT), Cotton White (CW), Oyster Gray (OG), Golden Mist (GM), Lemonade (LE), Sage (SA), Mint Julep (MJ), Sea Glass (SE), Iridescent Blue (IB), Viking Blue (VB), Pumpkin (PM), Racing Red (RR), Apple Red (AR), Burgundy (BU), Plum (PL), Chocolate (CH), and Cobalt Blue (CB).

Model	Description	Approx. ship wt. lbs. (kg)
DCW24	Professional 24"W. duct cover	9 (4.0)
DCW30	Professional 30"W. duct cover	10 (4.5)
DCW36	Professional 36"W. duct cover	11 (5.0)
DCW42	Professional 42"W. duct cover	13 (5.9)
DCW48	Professional 48"W. duct cover	14 (6.3)
DCW54	Professional 54"W. duct cover	23 (10.4)
DCW60	Professional 60"W. duct cover	24 (10.8)
DCW66	Professional 66"W. duct cover	26 (11.7)

#### Duct Cover Extensions

- For use with Professional chimney wall hoods (VCWH)
- Extends height of hood by up to 12" (for 10' ceilings)
- Replaces adjustable duct cover supplied with hood
- Specify finish code following accessory model number (for example, DCCE1210-SS)
  - Available in Stainless Steel (SS), Black (BK), White (WH), Metallic Silver (MS), Graphite Gray (GG), Stone Gray (SG), Taupe (TP), Biscuit (BT), Cotton White (CW), Oyster Gray (OG), Golden Mist (GM), Lemonade (LE), Sage (SA), Mint Julep (MJ), Sea Glass (SE), Iridescent Blue (IB), Viking Blue (VB), Pumpkin (PM), Racing Red (RR), Apple Red (AR), Burgundy (BU), Plum (PL), Chocolate (CH), and Cobalt Blue (CB).

Model	Description	Approx. ship wt. lbs. (kg)
DCCE1210	Duct cover extension (for 30"W., 36"W., & 42"W. hoods)	6 (2.7)
DCCE1810	Duct cover extension (for 48"W. & 54"W. hoods)	8 (3.6)
DCCE2410	Duct cover extension (for 60"W. & 66"W. hoods)	11 (4.9)





# VENTILATION

## Professional Built-In 18"H. Wall Hood/Chimney Wall Hood



### ✦ Installation Notes & Accessories

#### Backsplashes

- Stainless Steel (SS)
- 30"H.
- For both VWH & VCWH hoods
- Backsplashes protect the wall space below hood
- Create a continuous finish between cooking surface and hood
- Low maintenance, easy to clean
- Hemmed edges with screw holes
- Kit includes backsplash and fastening screws

Model	Description	Approx. ship wt. lbs. (kg)
BKS24	24"W. backsplash	5 (2.3)
BKS30	30"W. backsplash	7 (3.2)
BKS36	36"W. backsplash	9 (4.1)
BKS42	42"W. backsplash	12 (5.4)
BKS48	48"W. backsplash	14 (6.3)
BKS54	54"W. backsplash	17 (7.7)
BKS60	60"W. backsplash	20 (9.0)
BKS66	66"W. backsplash	23 (10.4)

#### Warming Shelf Panels

- Stainless Steel (SS)
- 12"D./12"H.
- For use with any backsplash
- Shelf panels hold cookware and condiments
- Fold up/down, heavy-duty warming shelves (non-removable), factory installed on stainless steel backsplash
- 15-7/8"W. X 10-1/8"D.
- Kit includes shelf (or shelves) and fastening screws

Model	Description	Approx. ship wt. lbs. (kg)
WGP24	24"W. warming shelf panels (one shelf)	6 (2.7)
WGP30	30"W. warming shelf panels (one shelf)	9 (4.1)
WGP36	36"W. warming shelf panels (two shelves)	12 (5.4)
WGP42	42"W. warming shelf panels (two shelves)	14 (6.3)
WGP48	48"W. warming shelf panels (two shelves)	16 (7.2)
WGP54	54"W. warming shelf panels (two shelves)	20 (9.0)
WGP60	60"W. warming shelf panels (three shelves)	23 (10.4)
WGP66	66"W. warming shelf panels (three shelves)	26 (11.7)

#### Compliance Information



#### WARRANTY SUMMARY\*

- One-year full warranty—complete product
- Five-year limited warranty—all ventilator motors
- Ninety-day limited warranty—cosmetic parts such as glass, painted, and decorative items

\*Must use Viking ventilator kits with Viking hoods; use of non-Viking kits voids product warranty. For complete warranty see *Use & Care Guide*.  
Warranty valid on Viking products shipped within the United States and Canada.

