

Viking Installation Guide



Viking Range Corporation

111 Front Street

Greenwood, Mississippi 38930 USA

(662) 455-1200

For product information,

call 1-888-VIKING1 (845-4641)

or visit the Viking Web site at

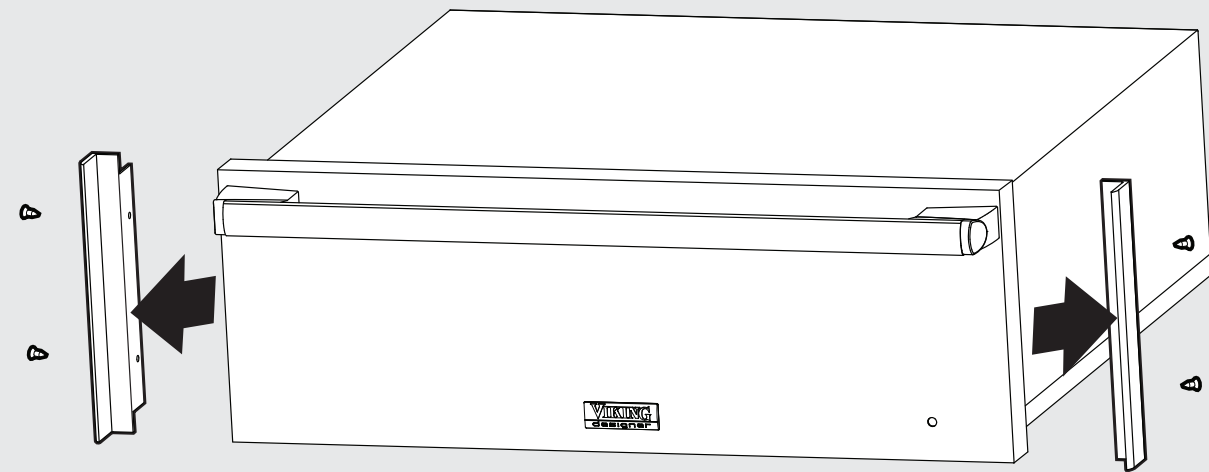
vikingrange.com

D30FTW - Designer Warming Drawer
Accessory Flush Mount Kit

For Use with DEWD102

Removing Existing Trim

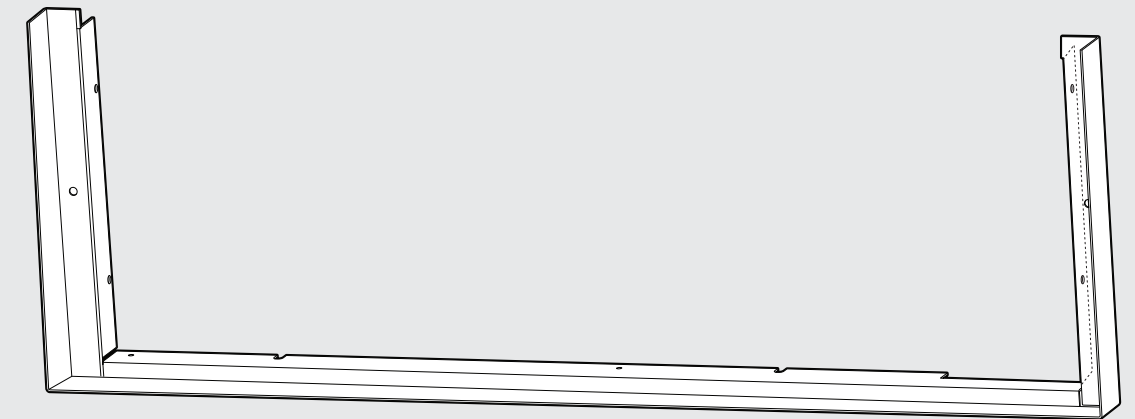
Remove the two existing side trim pieces from the warming drawer. There should be one trim piece on each side of the drawer.



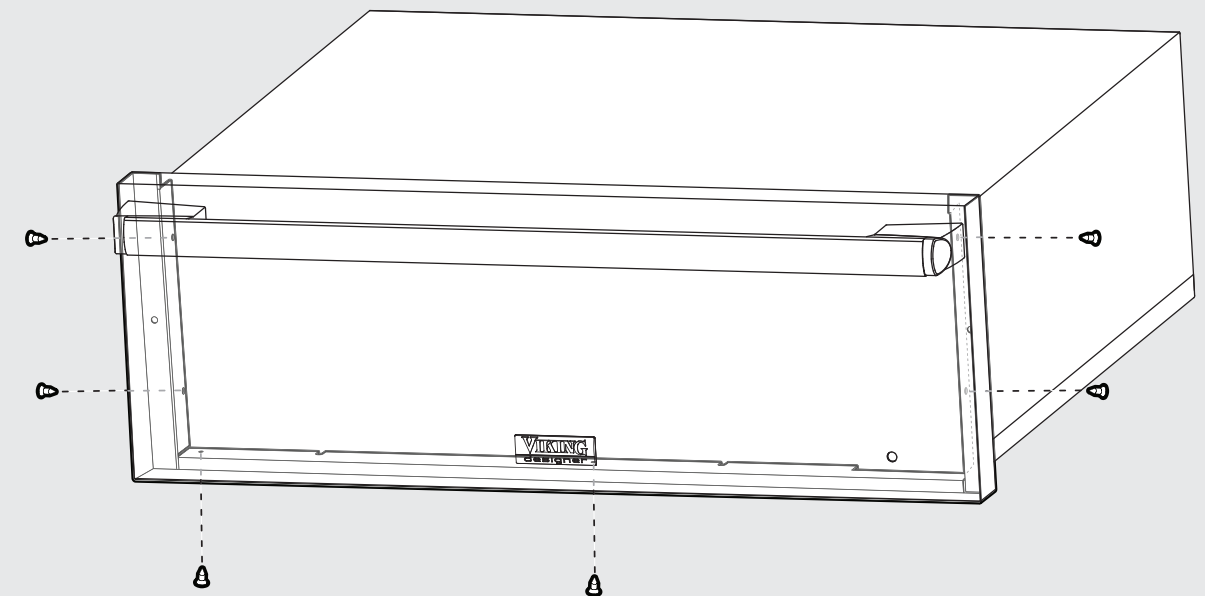
Installing Flush Mount Trim

After removing the existing side trim pieces, install the flush mount trim piece to the warming drawer.

1. Remove the protective plastic from the flush mount trim piece.

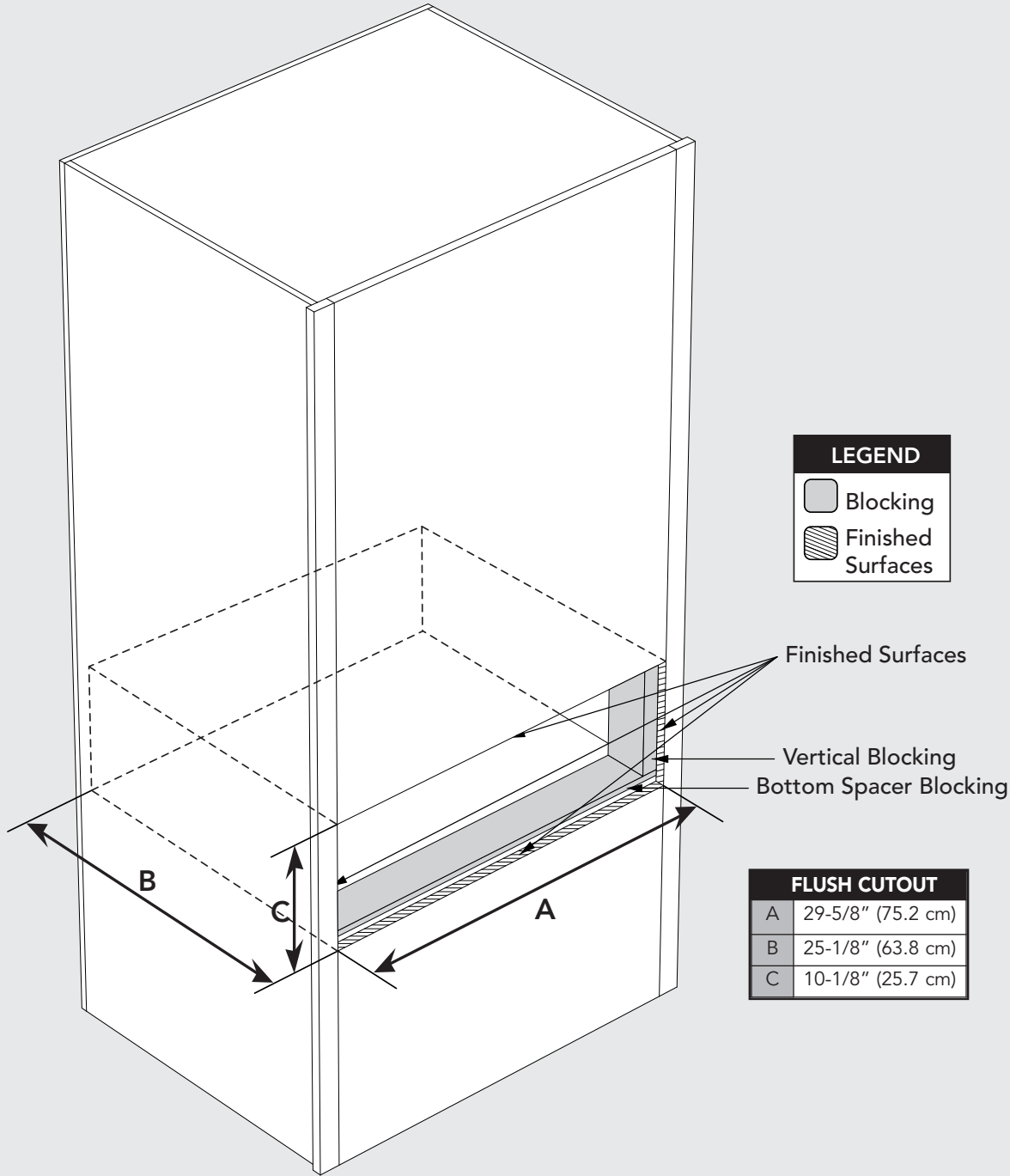


2. Install the flush mount trim piece to the unit with screws provided.
3. After installing the flush mount trim piece, the warming drawer can be installed into the prepared cutout.

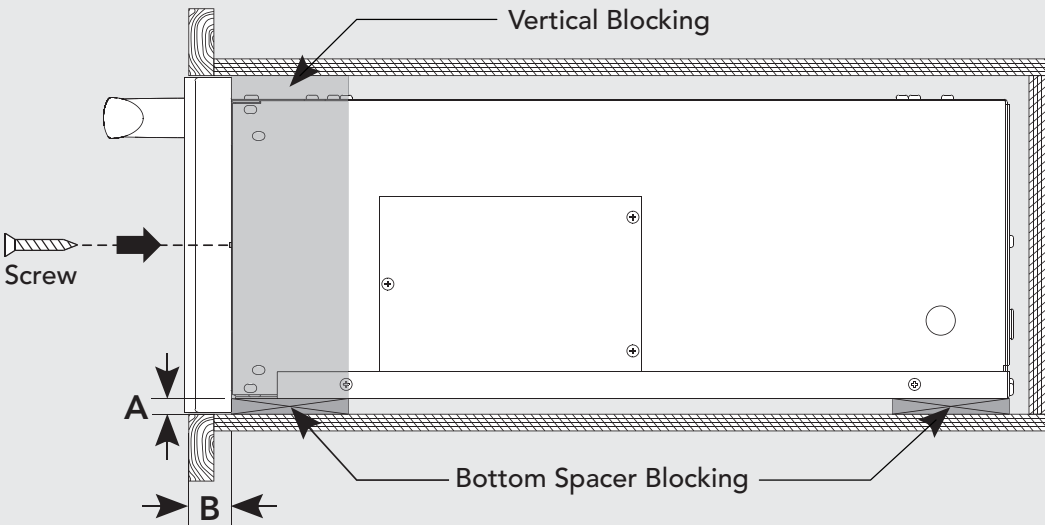
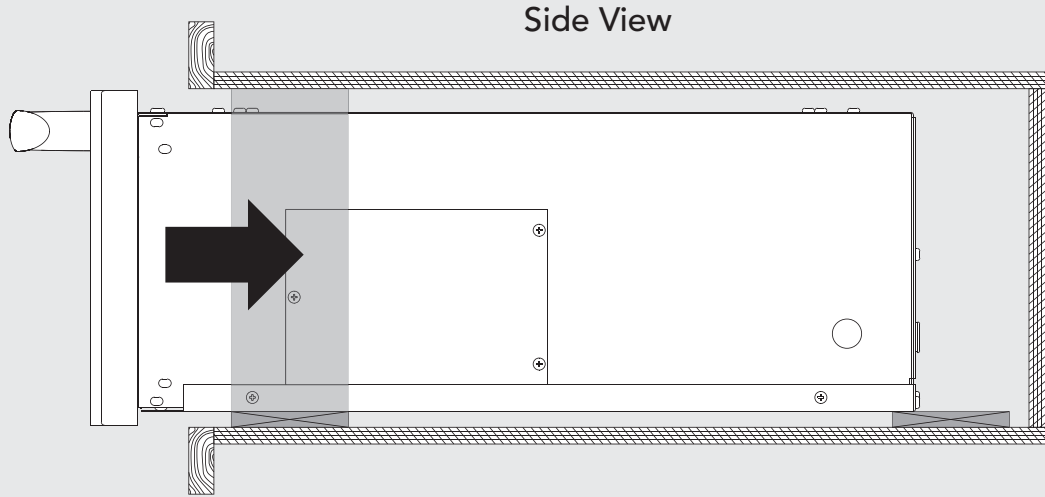


Preparing the Cutout

In order for the unit to sit properly inside the cutout, the bottom must be built-up or "shimmed" by 1/2" blocking (See illustrations below). This will provide stability for the unit and allow it to sit upright when pushed back into the wall.



Securing Inside the Cutout

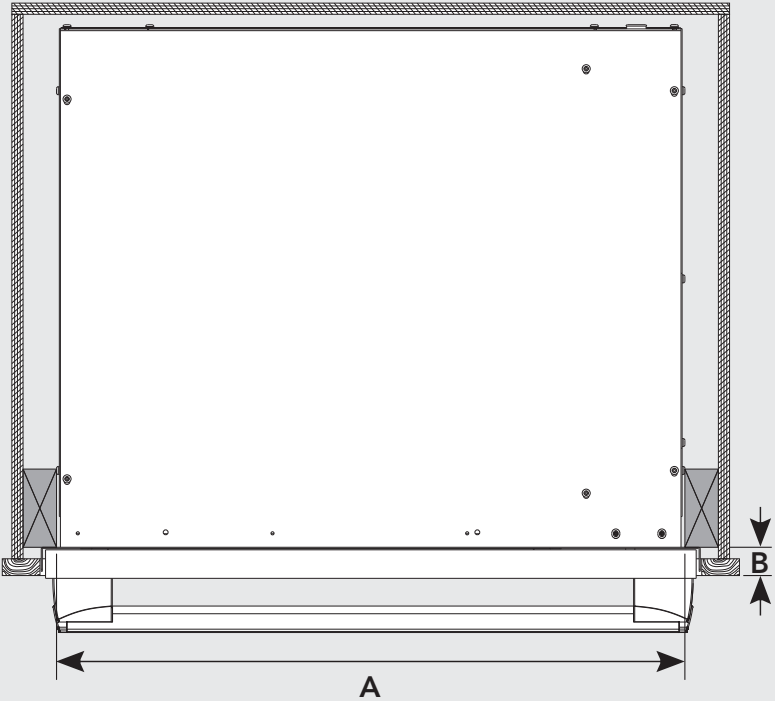
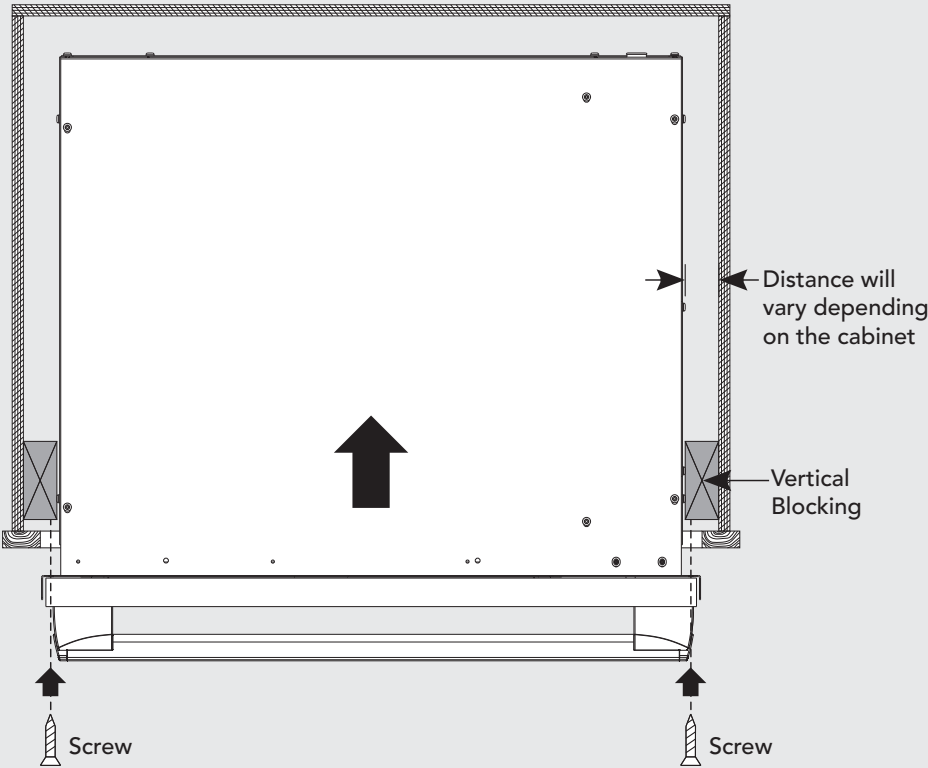


CRITICAL DIMENSIONS

A	1/2" (1.3 cm)
B	1-3/8" (3.5 cm)

Securing Inside the Cutout (cont.)

Top View



CRITICAL DIMENSIONS	
A	28-1/2" (72.4 cm)
B	1-1/2" (3.8 cm)