



Standard Features & Accessories

All models include

- Drawer capacity
 - 27"W. models—1.4 cu. ft.—425 watts
 - 17-1/4"W. x 6"H. x 22-3/4"D.
 - 30"W. models—1.6 cu. ft.—450 watts
 - 20-1/2"W. x 6"H. x 22-3/4"D.
 - 36"W. models—2.0 cu. ft.—550 watts
 - 25"W. x 6"H. x 22-3/4"D.
- Temperature settings 90°F – 250°F
 - Low setting is ideal for platewarming or breadproofing
 - High setting keeps soups and sauces piping hot
- Versatile moisture-selector control regulates the amount of moisture released from drawer (not available on custom front models)
- **Exclusive**—two half-sized low racks
 - Stainless steel low racks with slots for heat distribution
 - Racks cover entire bottom of pan for the largest loads or for only half coverage by removing one section

- **Exclusive**—moisture cup
 - Moisture cup holds water to increase interior humidity
- Entire drawer removes for easy cleaning
- Stainless steel roller bearing glides for smooth drawer operation
- Power on indicator light cycles on and off with heating element

Professional models include

- Commercial-type size, construction, design, and styling
 - Heavy-duty drawer handle and perimeter trim
 - Large, easy-to-read, commercial-type knob (hidden when door is closed)
- Model numbers
 - VEWD173—27"W.
 - VEWD103—30"W.
 - VEWD163—36"W.

Designer models include

- Professional construction and design
 - Styling matches other Designer products
 - Ergonomically designed handle
- Model numbers
 - DEWD102—30"W.

Custom panel models include

- Blends seamlessly into cabinetry with locally supplied front panel
- Accessory options include Professional Series handle, Designer Series handle, or custom handle.
- Model numbers
 - DFWD171—27"W.
 - DFWD101—30"W.

Model Options



VEWD173/103/163 Professional Warming Drawer

FINISH DETAILS FOR PROFESSIONAL MODELS

- Stainless Steel (SS), Black (BK), White (WH), Metallic Silver (MS), Graphite Gray (GG), Stone Gray (SG), Taupe (TP), Biscuit (BT), Cotton White (CW), Oyster Gray (OG), Golden Mist (GM), Lemonade (LE), Sage (SA), Mint Julep (MJ), Sea Glass (SE), Iridescent Blue (IB), Viking Blue (VB), Pumpkin (PM), Racing Red (RR), Apple Red (AR), Burgundy (BU), Plum (PL), Chocolate (CH), and Cobalt Blue (CB).
 - Finish designates drawer and control panel fronts. Black knob.
- White (WH)
 - Finish designates drawer and control panel fronts. White knob.
- Silver finished vertical/horizontal trim, with stainless steel handle with chrome-plated brackets.
- Brass Accent Option (BR)—nameplate and handle endcaps. Brass components have a durable protective coating for maintenance-free normal use.



DEWD102 Designer Warming Drawer

FINISH DETAILS FOR DESIGNER MODELS

- Stainless Steel (SS), Black (BK), White (WH), Metallic Silver (MS), Graphite Gray (GG), Stone Gray (SG), Taupe (TP), Biscuit (BT), Cotton White (CW), Oyster Gray (OG), Golden Mist (GM), Lemonade (LE), Sage (SA), Mint Julep (MJ), Sea Glass (SE), Iridescent Blue (IB), Viking Blue (VB), Pumpkin (PM), Racing Red (RR), Apple Red (AR), Burgundy (BU), Plum (PL), Chocolate (CH), and Cobalt Blue (CB).
 - Finish designates door panel, stainless steel knob, and handle. Black knob grips.
- White (WH)
 - Finish designates door panel, stainless steel knob, and handle. Gray knob grips.



DFWD171/101 Custom Panel Warming Drawer

FINISH DETAILS FOR CUSTOM PANEL MODELS

- 3/4" thick custom panel
- See **Installation Notes & Accessories** for handle kits.
- See **Custom Panels** section for more information and additional specifications.

ORDERING INSTRUCTIONS

First specify model number, and then color code (VEWD173SS). If ordering optional brass accent, specify code at end (VEWD173SSBR).





COOKING



Professional & Designer Built-In Electric 27"/30"/36"W. Warming Drawer

★ Please see Installation Notes and Accessories for important information, including handle kits and pan/lid set.

Dimensions & Specifications

PRODUCT DIMENSIONS & DOOR SWING



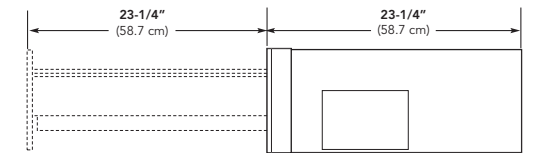
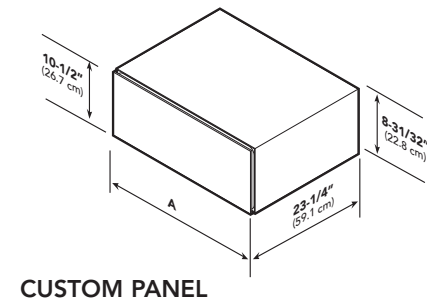
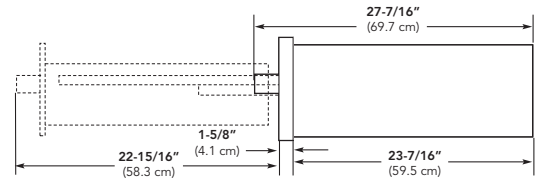
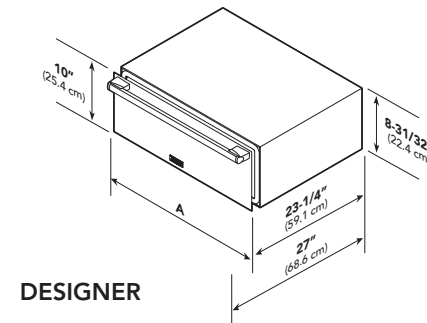
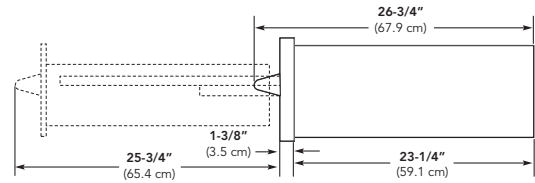
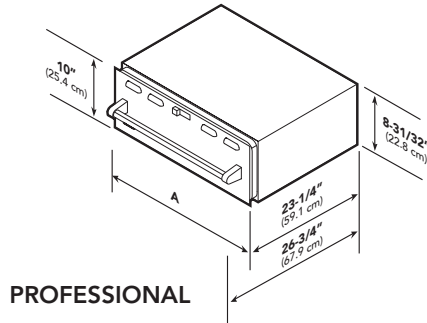
VEWD173/103/163
Professional
Warming Drawer



DEWD102
Designer
Warming Drawer



DFWD171/101
Custom Panel
Warming Drawer



| | VEWD173/103/163 | DEWD102 | DFWD171/101 |
|------------------------------|--|--------------------------|---|
| Overall width (A) | 26-1/2" (67.3 cm)/29-1/2" (74.9 cm)/ 35-1/4" (89.5 cm) | 29-1/2" (74.9 cm) | 26" (66.0 cm)/ 29" (73.7 cm) |
| Overall height (from bottom) | 10" (25.4 cm) | 10" (25.4 cm) | 10-1/2" (26.7 cm) |
| Overall depth (from rear) | | | |
| To end of handle | 26-3/4" (67.9 cm) | 27-7/16" (69.7 cm) | 26-3/4" (67.9 cm) |
| With drawer fully extended | 50-3/8" (128.0 cm) | 50-7/8" (129.2 cm) | 46-1/2" (118.1 cm) |
| Interior width | 17-1/4" (43.8 cm)/20-1/2" (52.1 cm)/ 25" (63.5 cm) | 20-1/2" (52.1 cm) | 17-1/4" (43.8 cm)/ 20-1/2" (52.1 cm) |
| Interior height | | 6" (15.2 cm) | |
| Interior depth | | 22-3/4" (27.8 cm) | |
| Approx. ship weight | 80 lbs. (36.0 kg)/90 lbs. (40.5 kg)/ 110 lbs. (49.5 kg) | 90 lbs. (40.5 kg) | 80 lbs. (36.0 kg)/ 90 lbs. (40.5 kg) |





UTILITY REQUIREMENTS



GAS

- Not applicable



ELECTRICAL

- Hardwire direct with separate 15-amp minimum 2-wire with ground circuit
- 120 VAC/50 – 60 Hz
- Maximum amp usage—
 - o 27"W. models—3.6 (425 watts)
 - o 30"W. models—3.8 (450 watts)
 - o 36"W. models—4.6 (550 watts)



PLUMBING

Not applicable

Installation Requirements

ACCESS REQUIREMENTS



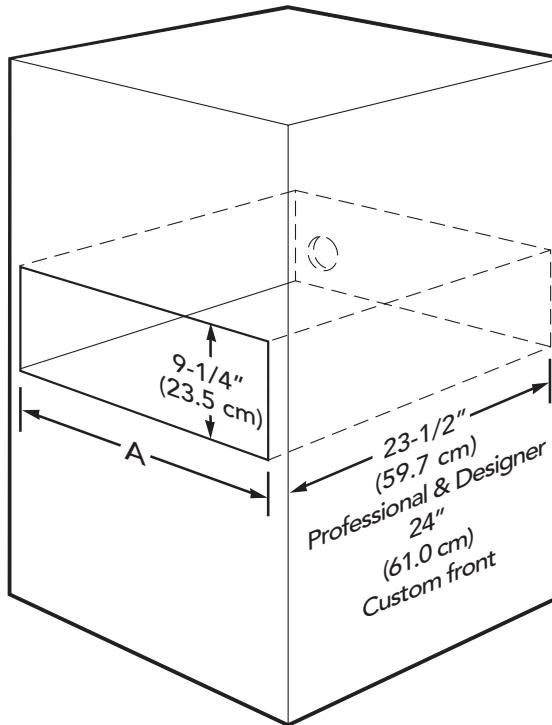
VEWD173/103/163
Professional
Warming Drawer



DEWD102
Designer
Warming Drawer



DFWD171/101
Custom Panel
Warming Drawer



| | VEWD173/103/163 | DEWD102 | DFWD171/101 |
|------------------|---|---------------------------|---|
| Cutout width (A) | 25-1/4" (64.1 cm)/28-1/4" (71.8 cm)/ 34" (86.4 cm) | 28-1/4" (71.8 cm) | 25-1/4" (64.1 cm)/ 28-1/4" (71.8 cm) |
| Cutout height | 9-1/4" (23.5 cm) | 9-1/4" (23.5 cm) | 9-5/8" (24.4 cm) |
| Cutout depth | | 23-1/2" (59.7 cm)* | |

* Standard Mount - 23-1/2" (59.7 cm)
Flush Mount - 25-1/8" (63.8 cm) Use trim piece included with product.



✦ Installation Notes & Accessories

Handle Kits

- For use with custom panel (DFWD) warming drawers
- For use on locally supplied custom panels
- Handles allow custom panel products to coordinate with other Professional & Designer products
- Kit includes one handle and installation hardware

| Model | Description | Approx. ship wt. lbs. (kg) |
|-----------|---|----------------------------|
| PHK23-SS | Professional handle for DFWD171/101 (Stainless Steel) | 5 (2.3) |
| DDHK23-SS | Designer handle for DFWD171 (Stainless Steel) | 5 (2.3) |
| DDHK29-SS | Designer handle for DFWD101 (Stainless Steel) | 5 (2.3) |

Pan/Lid Set

- Five heavy-gauge stainless steel commercial pans with lids
 - Two 2-1/2"D. by 12"L. by 7"W. pans
 - Two 4"D. by 12"L. by 7"W. pans
 - One 4"D. by 12"L. by 10-1/2"W. pan

| Model | Description | Approx. ship wt. lbs. (kg) |
|----------|-------------|----------------------------|
| PAN-VEWD | Pans/lids | 10 (4.5) |

Compliance Information



WARRANTY INFORMATION*

- One-year full warranty—complete product
- Five-year limited warranty—electric elements
- Ninety-day limited warranty—cosmetic parts such as glass, painted, and decorative items

*For complete warranty see Use & Care Guide. Warranty valid on Viking products shipped within the United States and Canada.

