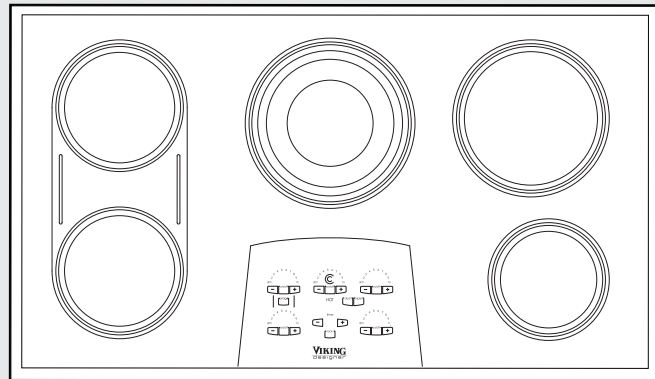
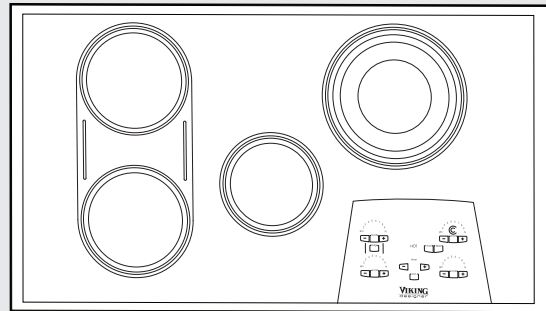


# Viking Installation Guide



Designer Built-In  
Electric Cooktops

# Table of Contents

Warnings & Important Safety Instructions _____	3
Dimensions (30") _____	6
Dimensions (36") _____	7
Specifications _____	8
Cutout Dimensions _____	9
Downdraft Dimensions _____	9
Clearance Dimensions (Proximity to Cabinets) _____	9
Clearance Dimensions (Wood/Composite or Steel Overlay) _____	11
Electrical Requirements _____	12
General Information _____	14
Installation _____	15
Electrical Connection _____	16
Final Installation _____	16
Final Preparation _____	17
Performance Checklist _____	17
Service & Registration _____	18

# IMPORTANT— Please Read and Follow

- Before beginning, read these instructions thoroughly and carefully.
- Installation and service must be performed by a qualified installer, service agency.
- **DO NOT** remove permanently affixed labels, warnings, or plates from the product as this may void the warranty.
- Observe all local and national codes, requirements and ordinances.
- Write down the model and serial numbers before installing the cooktop. Both numbers are on the serial rating plate located on bottom of cooktop box.
- Installation must conform with local codes or in the absence of codes, the national electric code: ANSI/NFPA 70-latest edition\*\* or CSA standards C22. 1-94, Canadian Electrical Code, part No. 0-M91 - latest edition\*\*\* and all local codes and ordinances.

**In Canada:** Installation must be in accordance with the current CAN/CGA B149.1 & 2 Gas Installation codes and with the current CSA C22.1 Canadian Electrical Codes Part 1 and/or local codes.

Copies of the standards listed may be obtained from:

\*\* National Fire Protection Association One Batterymarch Park Quincy, Massachusetts 02269

\*\*\* CSA International 8501 East Pleasant Valley Rd. Cleveland, OH 44131-5575

- Installers should leave these instructions with the consumer who should retain them for the local inspector's use and for future reference.

**Your safety and the safety of others is very important.**

We have provided many important safety messages in this manual and on your appliance. **ALWAYS** read and obey all safety messages.



This is the safety alert symbol. This symbol alerts you to hazards that can kill or hurt you and others.

All safety messages will be preceded by the safety alert symbol and the word "DANGER," "WARNING" or "CAUTION." These words mean:

## **DANGER**

**Hazards or unsafe practices which WILL result in severe personal injury or death**

## **WARNING**

**Hazards or unsafe practices which COULD result in severe personal injury or death**

## **CAUTION**

**Hazards or unsafe practices which COULD result in minor personal injury or property damage.**

All safety messages will identify the hazard, tell you how to reduce the chance of injury, and tell you what can happen if the instructions are not followed.

# IMPORTANT— Please Read and Follow

## **DANGER**



### **FIRE/EXPLOSION HAZARD**

IF THE INFORMATION IN THIS MANUAL IS NOT FOLLOWED EXACTLY, A FIRE OR EXPLOSION MAY RESULT CAUSING PROPERTY DAMAGE, PERSONAL INJURY, OR DEATH.

- **DO NOT** store or use gasoline or other flammable vapors and liquids in the vicinity of this or any other appliance.

## **CAUTION**

### **BURN HAZARD**

The use of cabinets for storage above the appliance may result in a potential burn hazard. Combustible items may ignite, metallic items may become hot and cause burns. If a cabinet storage is to be provided the risk can be reduced by installing a range hood that projects horizontally a minimum of 5" (12.7 cm) beyond the bottom of the cabinets.

## **WARNING**

### **ELECTRICAL GROUNDING INSTRUCTIONS**

The cooktop must be electrically grounded in accordance with local codes or, in the absence of codes, with the ANSI/NFPA No. 70-latest edition. Installation should be made by a licensed electrician. This appliance is equipped with a three-prong grounding plug for your protection against shock hazard and should be plugged directly into a properly grounded receptacle. **DO NOT** cut or remove the grounding prong from the plug.

**For personal safety, this appliance must be properly grounded. DO NOT under any circumstances cut or remove the third (ground) prong from the power plug.**

# IMPORTANT— Please Read and Follow

## **⚠ WARNING**

This appliance shall not be used for space heating. This information is based on safety considerations.

## **⚠ WARNING**

### **SITE PREPARATION**

It is recommended that a thorough site inspection be conducted **PRIOR** to unpacking and moving this appliance.

## **⚠ WARNING**

It is the customer's responsibility to contact a qualified electrical installer. To assure that the electrical installation is Adequate and in conformity with national electrical code: ANSI/NFPA 70-latest edition\*\* or CSA standards C22.1-94, Canadian Electrical Code, part No.0-M91 - latest edition\*\*\* and all local codes and ordinances.

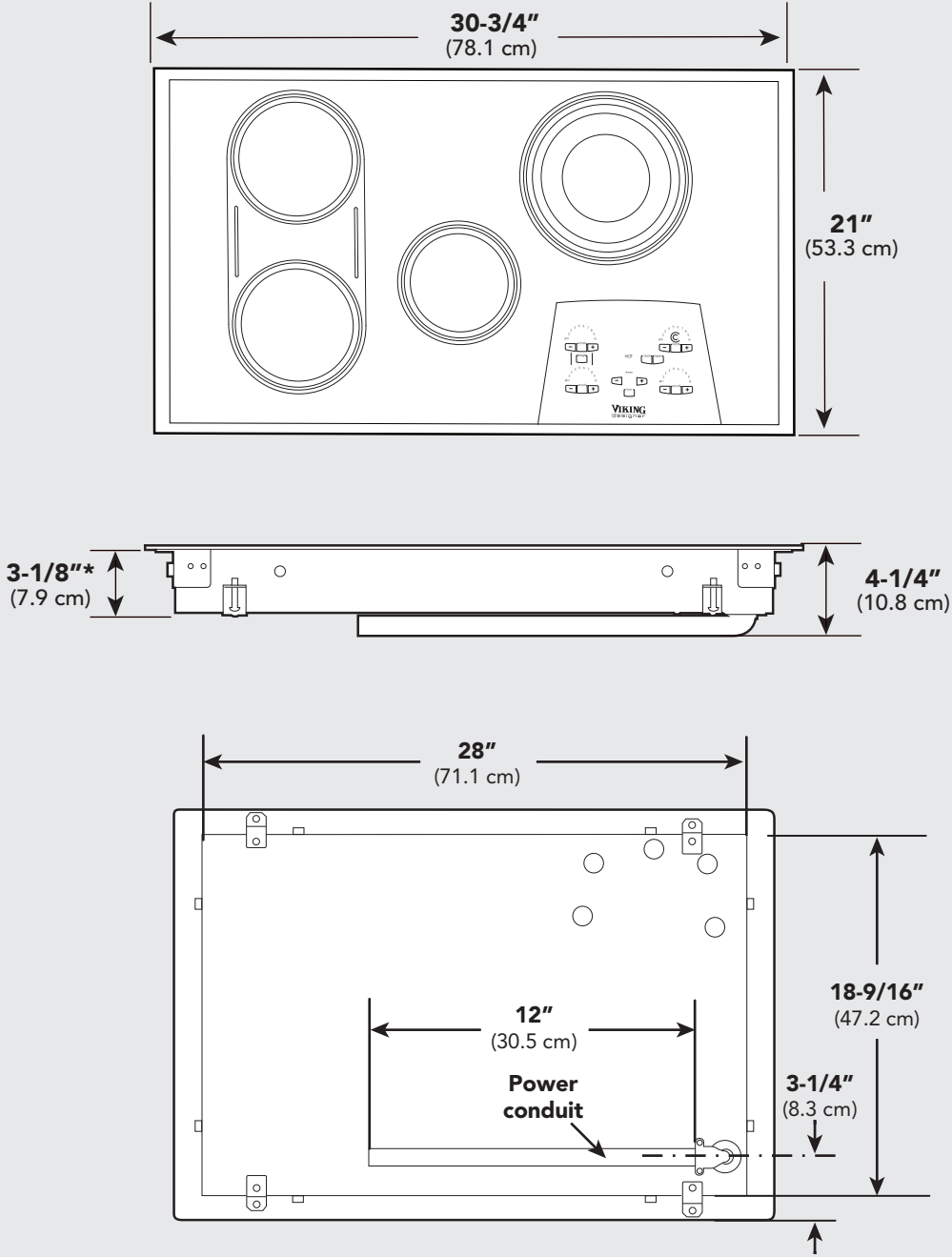
## **⚠ WARNING**

### **THE CONDUIT IS 3 FEET LONG**

The junction box must be located where it will allow considerable slack in the conduit for serviceability.

# Dimensions

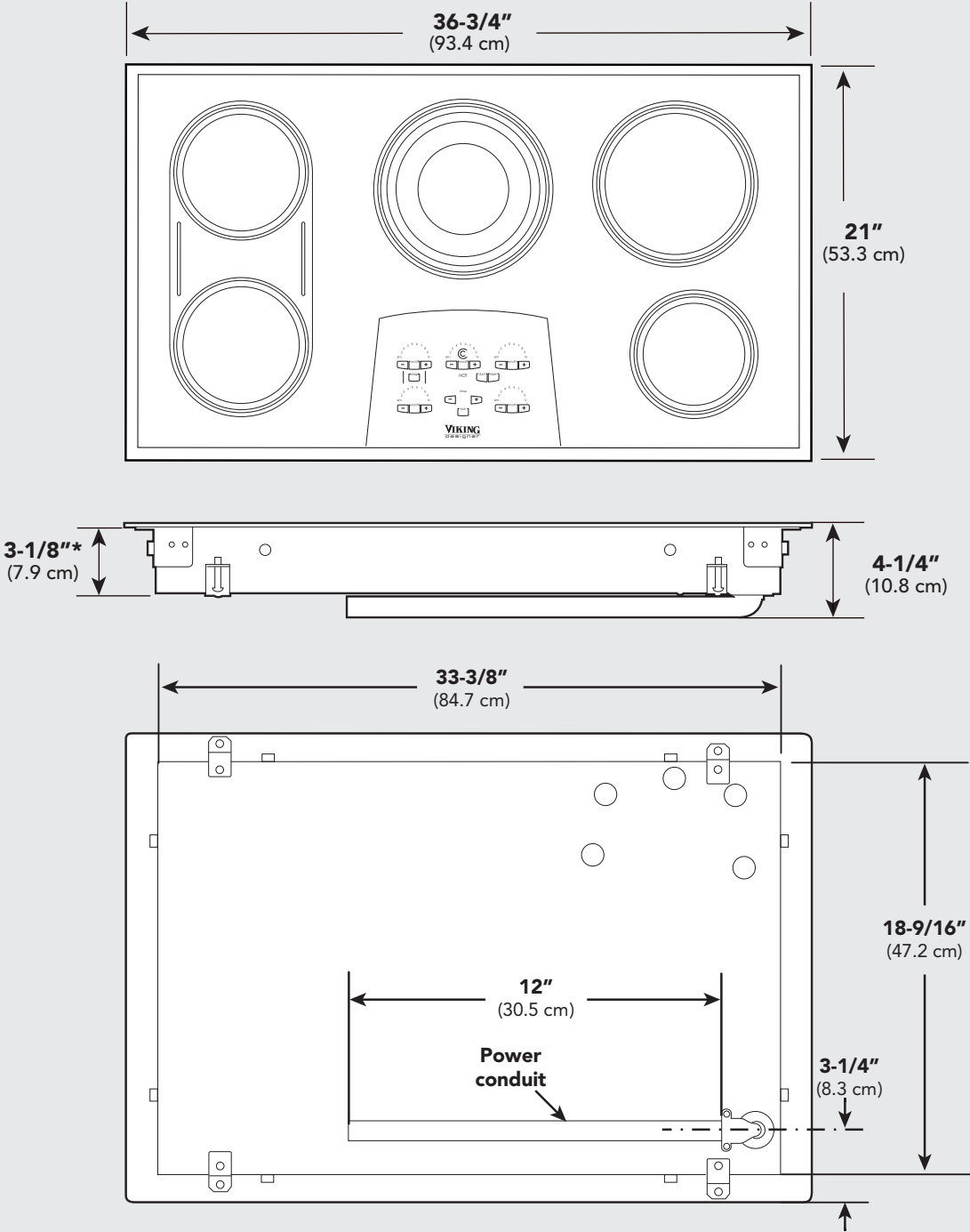
## 30" Electric Cooktop



\*Note: Dimension includes screw head.

# Dimensions

## 36" Electric Cooktop



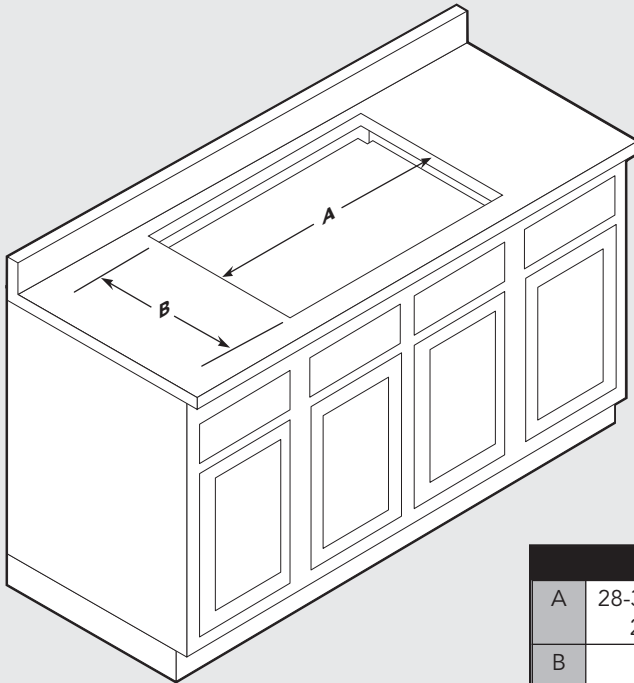
\*Note: Dimension includes screw head.

# Specifications

Designer Electric Cooktops				
Description	DETU200-4B		DETU260-5B	
Overall width	30-3/4" (78.1 cm)		36-3/4" (93.3 cm)	
Overall height (from top of cooktop to bottom of conduit)	4-1/4" (10.8 cm)			
Overall depth from rear	21" (53.3 cm)			
Cutout width	28-3/4" (72.9 cm) min. to 29" (73.7 cm) max.		34" (86.4 cm) min. to 34-9/16" (87.8 cm) max.	
Cutout height	3-1/8" (7.9 cm)			
Cutout depth	19-1/4" (49.0 cm) min. to 19-5/8" (49.8 cm)			
Electrical requirements	3-wire, 240-208/120VAC/60Hz; 40 amp connection. Unit is equipped with No. 10 ground wire in conduit. Should be fused separately.		3-wire, 240-208/120VAC/60Hz; 60 amp connection. Unit is equipped with No. 10 ground wire in conduit. Should be fused separately.	
Maximum amp usage	240V—35.0 amps (8.4 kw) 208V—30.3 amps (6.3 kw)		240V—45.0 amps (10.8 kw) 208V—40.0 amps (8.3 kw)	
Surface element rating	<b>240V</b>	<b>208V</b>	<b>240V</b>	<b>208V</b>
Left front	1,800 watts	1,350 watts	1,800 watts	1,350 watts
Bridge	800 watts	600 watts	800 watts	600 watts
Left rear	1,800 watts	1,350 watts	1,800 watts	1,350 watts
Center	1,500 watts	1,125 watts	2,500/1,600/800 watts	1,875/1,200/600 watts
Right front	N/A	N/A	1,500 watts	1,125 watts
Right rear	2,500/1,600/800 watts	1,875/1,200/600 watts	2,100 watts	1,575 watts
Approximate shipping weight	35 lb. (13.1 kg)		60 lb. (27.2 kg)	



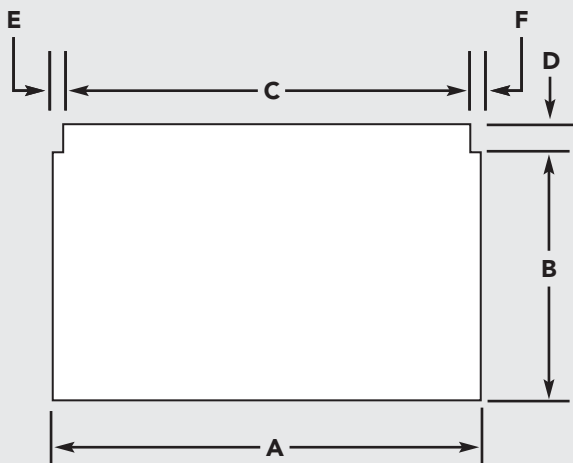
# Cutout Dimensions



	DETU200	DETU260
A	28-3/4" (72.9 cm) min. to 29" (73.7 cm) max.	34" (86.4 cm) min. to 34-9/16" (87.2 cm) max.
B	19-1/4" (49.0 cm) min. to 19-5/8" (49.8 cm) max.	

**Note:** Based on 24" deep cabinet with 3/4" backsplash.

# Downdraft Dimensions



	DETU200 w/DIPR100	DETU260 w/DIPR160
A	28-3/4" (73.0 cm)	34" (86.4 cm)
B	20-1/4" (51.4 cm)	
C	27 (68.6 cm)	33" (84.0 cm)
D	2-1/4" (5.7 cm)	
E	7/8" (1.9 cm)	7/8" (1.9 cm)
F	7/8" (1.9 cm)	7/8" (1.9 cm)

**Note:** Refer to the downdraft installation instructions.

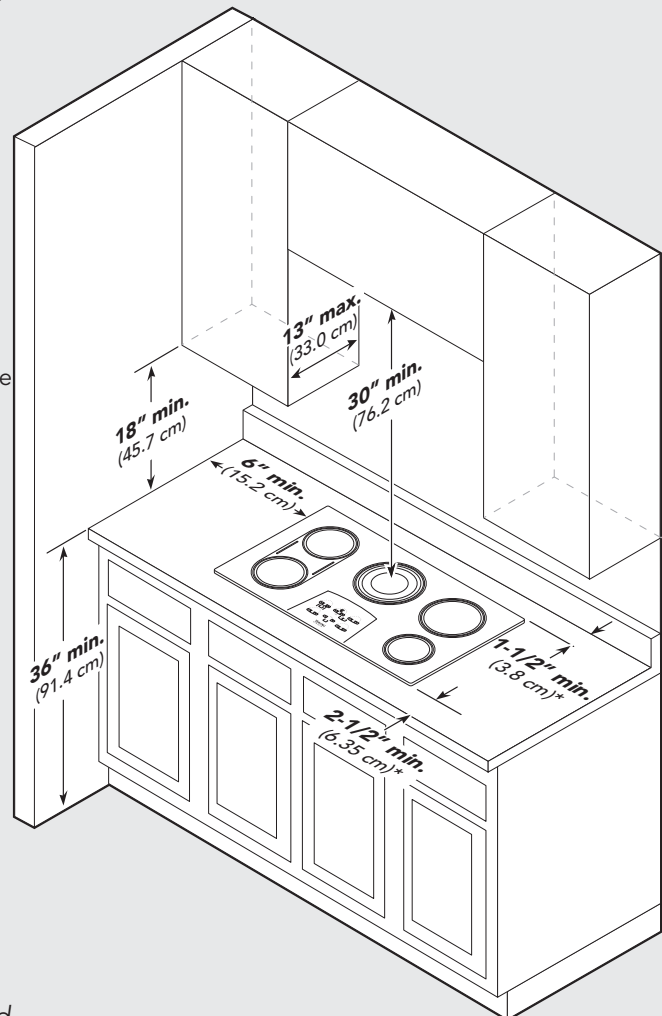
# Clearance Dimensions (Proximity to Cabinets)

## Proximity to Side Cabinet Installation

- The cooktop may be installed directly to existing base cabinets.
- The cooktop **CANNOT** be installed directly adjacent to sidewalls, tall cabinets, tall appliances, or other side vertical surfaces above 36" (91.4 cm) high. There must be a minimum of 6" (15.2 cm) side clearance from the cooktop to such combustible surfaces above the 36" (91.4 cm) counter height.
- Within the 6" (15.2 cm) side clearance to combustible vertical surfaces above 36" (91.4 cm), the maximum wall cabinet depth must be 13" (33.0 cm) and wall cabinets within this 6" (15.2 cm) side clearance must be 18" (45.7 cm) above the 36" (91.4 cm) high countertop.
- Wall cabinet above the cooktop must be a minimum of 30" (76.2 cm) above the countertop for a full width of the cooktop.

## Minimum Clearances from Adjacent Combustible Construction

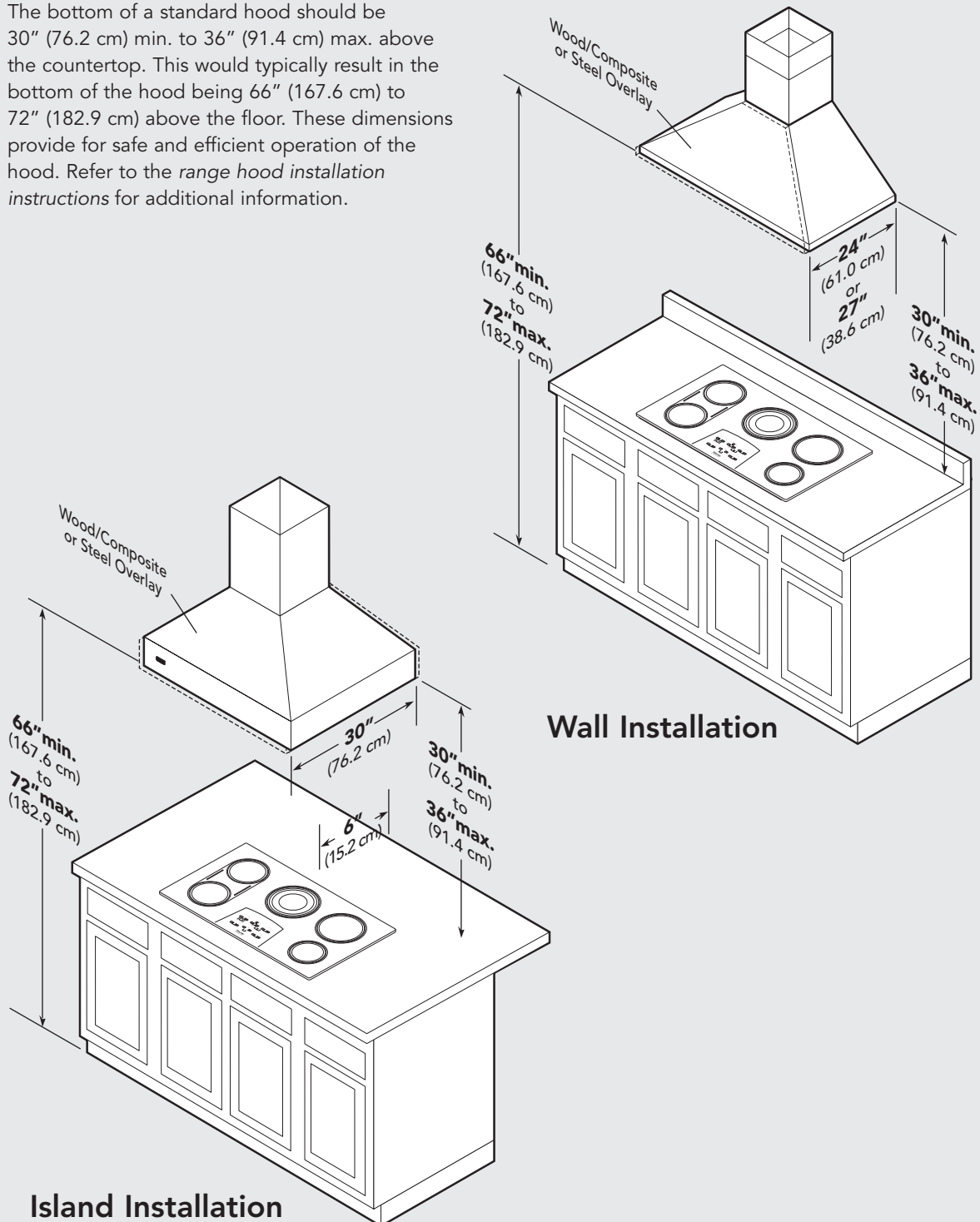
- Wall cabinets directly above the product must be minimum 30" (76.2 cm) above the countertop
- Sides—minimum 6" (15.2 cm)
- Rear—minimum 1-1/2" (3.8 cm)
- From edge of cutout and front edge of countertop 2-1/2" (6.35 cm)
- Within 6" (15.2) side clearance; wall cabinets no deeper than 13" (33.0 cm)
- Countertop depth 25" (63.5 cm)
- Overhead cabinet depth from rear maximum 13" (33.0 cm)
- Side cabinet height from countertop minimum 18" (45.7 cm)



**Note:** Dimensions shown are for use with combustible surfaces unless otherwise stated.

# Clearance Dimensions (Wood/Composite or Steel Overlay)

The bottom of a standard hood should be 30" (76.2 cm) min. to 36" (91.4 cm) max. above the countertop. This would typically result in the bottom of the hood being 66" (167.6 cm) to 72" (182.9 cm) above the floor. These dimensions provide for safe and efficient operation of the hood. Refer to the *range hood installation instructions* for additional information.



# Electrical Requirements

## Electrical Connections

### **⚠ WARNING**

#### **ELECTRICAL SHOCK HAZARD**

Disconnect power before servicing the product. Failure to do so could result in death or electric shock.

### **⚠ WARNING**

#### **ELECTRICAL SHOCK HAZARD**

The models may be powered at 240V or 208V.

This cooktop does not require a neutral connection. If the cooktop is to be completely enclosed in a cabinet, feed the cooktop cable through the opening in the cabinet. Make the electrical connection following the appropriate steps for your installation.

Your cooktop must be connected to the proper electrical voltage and frequency as specified in the table on the right.

#### **Connect with copper wire only**

If the house has aluminum wiring, follow the procedure below:

1. Connect the aluminum wiring to the copper wire by using special connectors designed and Underwriters Laboratories-listed for joining copper to aluminum. Follow the electrical connector manufacturer's recommended procedure.
2. Aluminum/copper connection must conform with local codes and industry-accepted wiring practices.

The flexible conduit (supplied) 3 feet long (100 cm) located at the right rear of the cooktop bottom box should be connected directly to junction box. **DO NOT** cut the conduit. A U.L - or CSA - listed conduit connector must be provided at each end of the power supply cable (at the cooktop and at the junction box.) A time delay fuse or circuit breaker is recommended.

**DO NOT** ground to a gas pipe. **DO NOT** have a fuse in the grounding or neutral circuit. Fuse both supply (phase) lines.

### **⚠ WARNING**

Improper connection of aluminum house wiring to the copper leads can result in a serious problem.

#### **National Fire Protection Association**

Batter/march Park Quincy, Massachusetts 02269  
A three-wire, single phase, 240 Volt 60 cycle electrical system (properly circuit protected to meet Local Codes of NFPA No.70) must be provided. Unit must be properly grounded in accordance with local wiring code. The chart below recommends the minimum circuit protector and wire size if the appliance is the only unit on the circuit. If smaller sizes of wire are used, the unit efficiency will be reduced and a fire hazard may be created. It is advisable that the electrical wiring and hookup be accomplished by a competent electrician.

<b>Recommended Minimum</b>		
<b>KW Rating on serial plate</b>	<b>Circuit protection in amperes</b>	<b>Wire Size (AWG)</b>
0-4.8	20	12
4.9-6.9	30	10
7.0-9.9	40	8
10.0-11.9	50	8
12.0-14.9	60	6

**Be sure your appliance is properly installed and grounded by a qualified technician. Ask your dealer to recommend a qualified technician or an authorized repair service. This cooktop does not require a neutral connection. If the cooktop is to be completely enclosed in a cabinet, feed the cooktop cable through the opening in the cabinet. Make the electrical connection following the appropriate steps for your installation.**

# Electrical Requirements

This appliance is manufactured with a green ground wire connected to the cooktop chassis. After making sure that the power has been turned off, connect the flexible conduit from the cooktop to the junction box using a U.L. listed conduit connector. The instructions provided below present the most common way of connecting the cooktops. Your local codes and ordinances, of course, take precedence over these instructions. Complete electrical connections according to local codes and ordinances.

## **WARNING**

### **ELECTRICAL SHOCK HAZARD**

Frame grounded to neutral of appliance through a link.

Grounding through the neutral conductor is prohibited for new branch-circuit installations (1996 NEC); mobile homes; and recreational vehicles, or in an area where local codes prohibit grounding through the neutral conductor.

### **3-Wire branch circuit**

Where local codes allow the connection of ground wire from the cooktop to the branch circuit neutral wire (gray or white colored wire) proceed as follows.

1. If local codes permit, connect the green GROUND wire from the cooktop to the branch circuit neutral wire (gray or white colored wire).
2. Connect the red and black leads from the cooktop to the corresponding leads in the junction box.

### **4-Wire branch circuit**

1. Connect the green ground wire from the cooktop to the ground wire in the junction box (bare or green colored wire).
2. Connect the red and black leads from the cooktop to the corresponding leads in the junction box.
3. Connect the white wire from the cooktop to the neutral (gray or white) wire in the junction box.
4. Terminate and insulate the neutral (gray or white colored wire) in the junction box.

# Clearance Dimensions

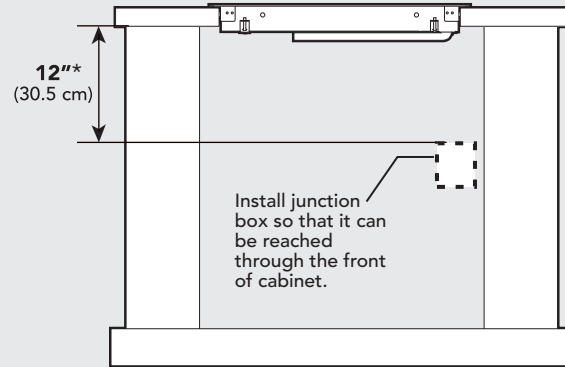
## Junction Box Location

### ⚠ WARNING

#### THE CONDUIT IS 3 FEET LONG

The junction box must be located where it will allow considerable slack in the conduit for serviceability.

**\*Note:** Minimum from bottom of countertop and adjacent right-side cabinet to top of junction box.



# General Information

### ⚠ WARNING



#### ELECTRICAL SHOCK HAZARD

The models may be powered at 240V or 208V.

## Site Preparation

**Note:** It is recommended that a thorough site inspection be conducted prior to unpacking and moving this appliance.

- Chamfer all exposed edges of decorative laminate to prevent damage from chipping.
- Radius corners of cutout and file to insure smooth edges and prevent corner cracking. Recommend 1/4" or 3/8" diameter drill in each corner.
- Rough edges, inside corners which have not been rounded and forced fits can contribute to cracking of the countertop laminate.
- Confirm available access to adequate power—see *electrical requirements*.
- Be sure that the countertop for this appliance is level and cut according to the cutout requirements and dimensions—see *cutout requirements and dimensions*.

- All wall coverings, countertop and cabinets around the cooktop should withstand heat up to 200°F (90°C).
- Keep appliance free from combustible materials, gasoline, and other flammable vapors.

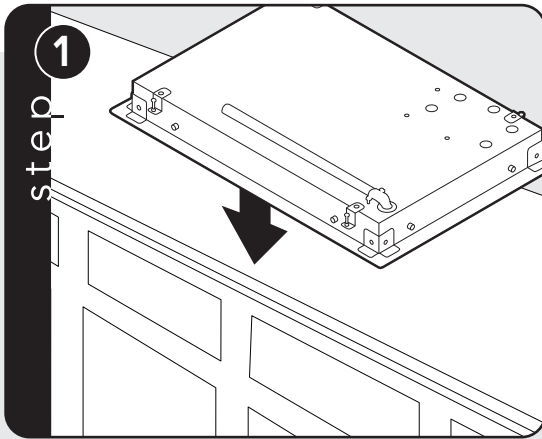
## Installation Procedure

Remove packaging materials and literature package from the cooktop before beginning installation. Remove Installation Instructions from literature pack and read them carefully before you begin.

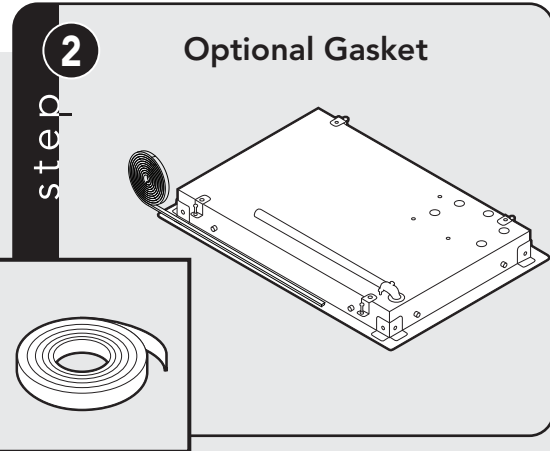
### ⚠ WARNING

**DO NOT** use an extension cord with this appliance. Such use may result in fire, electrical shock or other personal injury.

# Installation



Turn the cooktop upside down and place on the packaged foam top. **Note:** Make sure there are no loose objects on the cooktop before turning upside down.



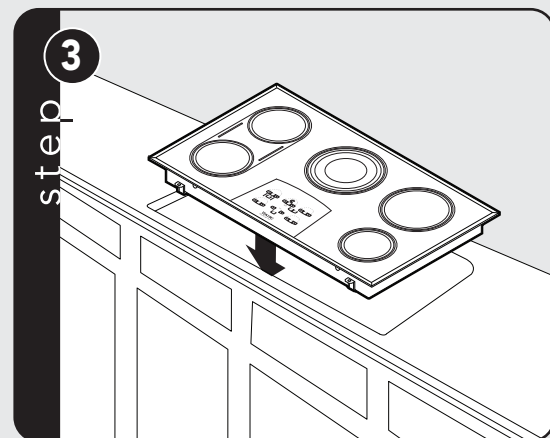
Peel away the plastic covering and place the gasket material all the way around the burner flange.

**IMPORTANT:** Make sure the corners are covered completely, leaving no air gaps.

**⚠ IMPORTANT**

For solid surface material installations such as Surel™ and Corian®, consult with solid surface manufacturer. Apply heat reflective tape such as Scotch® Aluminum Foil Tape #425 or #427 around the cutout so that it folds over on the top and sides.

**DO NOT** wrap the tape underneath the cooktop. Be sure the tape extends beyond the outermost flange of the cooktop. All corners should be covered with tape.



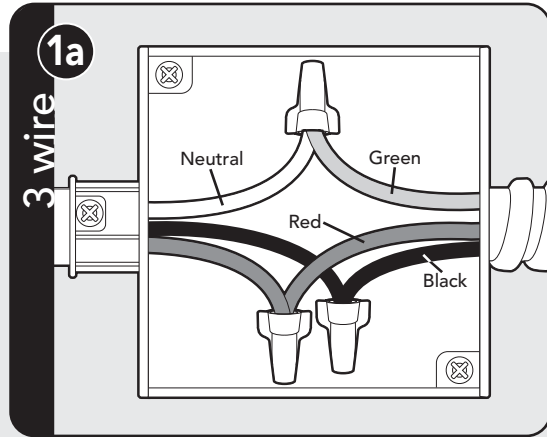
Turn the cooktop over and place into countertop opening.

## Electrical Connection

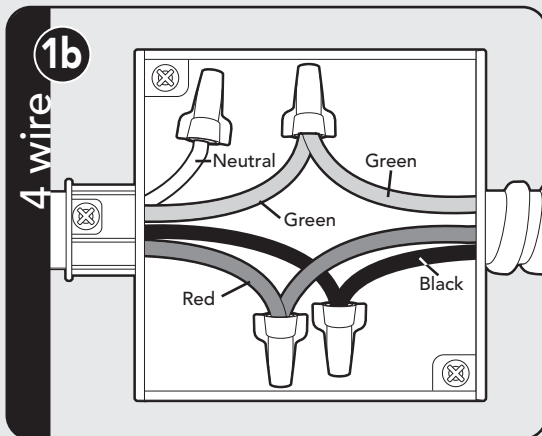
### **⚠ WARNING**

#### **THE CONDUIT IS 3 FEET LONG**

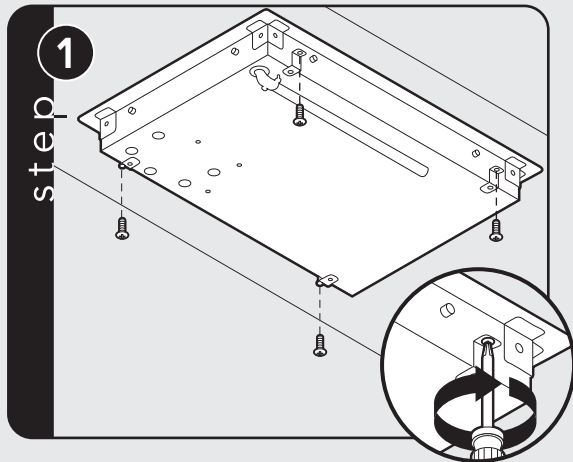
The junction box must be located where it will allow considerable slack in the conduit for serviceability.



Connect the red and black leads from the unit conduit to the corresponding leads in the junction box.



Connect the red, black, and green leads from the unit conduit to the corresponding leads in the junction box.



Install screws into brackets to secure cooktop to countertop.



# Final Preparation

- New units are cleaned at the factory to remove any visible signs of dirt, oil, grease, etc. remaining from the manufacturing process. Some stainless steel parts may have a plastic protective wrapper which must be peeled off. The cooktop should be washed thoroughly with hot, soapy water and then rinsed and wiped dry to remove these film residues and any installation dust or debris before being used for food preparation.

## Performance Checklist

A qualified installer should carry out the following checks:

- Check top surface elements
  1. Glow red when turned on.
- Check hot surface indicator lights
  1. Glow red when corresponding element is hot.

Any adjustments necessary that are a result of the installer not following instructions will be the responsibility of the installer, dealer of the end user of this product.

# Service & Registration

Only authorized replacement parts may be used in performing service on the appliance. All servicing should be referred to a qualified technician.

Contact Viking Range Corporation, 1-888-VIKING1 (845-4641), for the nearest service parts distributor in your area or write to:

**VIKING RANGE CORPORATION  
PREFERRED SERVICE  
1803 Hwy 82W  
Greenwood, Mississippi 38930 USA**

The serial number and model number for your appliance can be found by looking under the cooktop.

Record the following information indicated below. You will need it if service is ever required.

Model number \_\_\_\_\_

Serial number \_\_\_\_\_

Date of purchase \_\_\_\_\_

Date installed \_\_\_\_\_

Dealer's name \_\_\_\_\_

Address \_\_\_\_\_

**These installation instructions should remain with the unit  
for future reference.**





Viking Range Corporation

111 Front Street

Greenwood, Mississippi 38930 USA

(662) 455-1200

For product information,

call 1-888-VIKING1 (845-4641)

or visit the Viking Web site at

[vikingrange.com](http://vikingrange.com)

