

Front Load Dryer

FRQE7000L W

7 Dry Cycles
7.0 Cu. Ft. Electric



Optional Pedestal Drawer Shown

Product Dimensions

Height	36"
Width	27"
Depth	28-1/2"

More Easy To Use Features

Reversible Door

Choose which direction you want the door to open to accommodate your space.

Ready-Select™ Controls

Easily select options with the touch of a button.

Timed Dry Cycles

Multiple Dryness Levels

Auto Dry Cycles

Control Lock

Quick Dry

Optional Pedestal Drawer

Available in:



White
(W)

Signature Features

Super Capacity

Dries even extra-large loads quickly and efficiently.

Balanced Dry System

Dries clothes more evenly for better results.

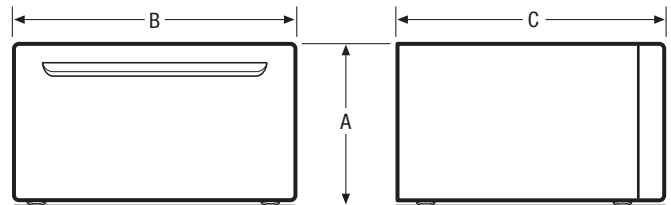
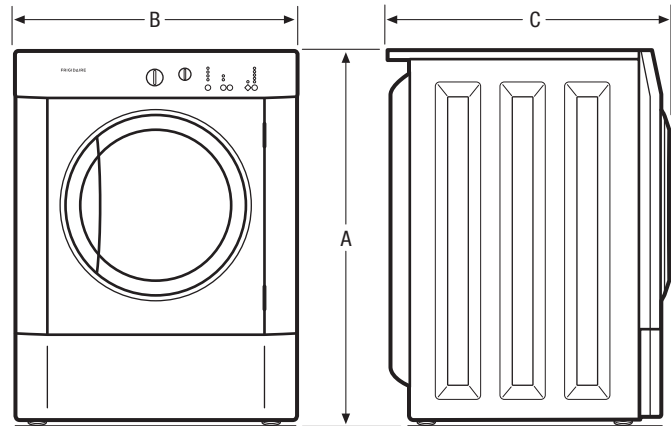
Precision Dry™ Moisture Sensor

Dries your clothes more precisely, reducing wrinkles.

Wrinkle Release Technology

This option features a Wrinkle Release System that finishes by tumbling without heat, preventing wrinkles, so your clothes look great every time.

Features	
Total Capacity (Cu. Ft.)	7.0
Controls	Ready-Select™
Dryer Drum Interior	Painted Steel
Interior Light	Yes
Door Trim	White
Ready Steam™	
DrySense™ Technology	Yes
Wrinkle Release Technology	Yes
TimeWise™ Technology	Yes
Moisture Sensor	Yes
Time Remaining Indicator	
Cycle Status Lights	Yes
Cycle Signal	Yes
Cycle Signal "On/Off"	Yes
Cycle Signal Volume Control	Yes
Control Lock	Yes
Start/Pause/Cancel Buttons	Yes
Energy Saver Option	
Delay Start	
Tumble Speed (RPM)	50
Reversible Door	Yes
Lint Screen	Yes
Sound Package	
Adjustable Leveling Legs	Yes
Cycles	
Dry Cycles	7
Specialty Cycles	0
Options	
Temperature Selections	4
Dryness Level Selections	4
Timed Dry	15, 30, 45, 60, 75, 90
Optional Accessories	
Dryer Stacking Kit	PN # STACKIT7
15" Frigidaire Affinity® Pedestal Drawers	
Classic Black (B)	
Classic White (W)	(W) PN # CFPWD15W
Mobile Home Installation Kit	PN # 137067200
Drying Rack	PN # 137067300
Certifications	
NSF® Certified Sanitize	
Specifications	
Power Supply Connection Location	Right Bottom Rear
Voltage Rating	240V/60Hz/30A
Connected Load (kW Rating) @ 240 Volts	5.0
Amps @ 240 Volts	24
Heating Element @ 240 Volts (Watts)	4,700
Shipping Weight (Approx.)	129 Lbs.



NOTE: For planning purposes only. Always consult local and national electric and plumbing codes. Refer to Product Installation Guide for detailed installation instructions on the web at frigidaire.com.



Product Dimensions	
A - Height (Single)	36"
Height (Stacked)	72"
B - Width	27"
C - Depth	28-1/2"
Depth with Door Open 90°	48-1/2"
Pedestal Dimensions	
A - Height	15-1/4"
B - Width	27"
C - Depth	24"

Accessories information available on the web at frigidaire.com