



NOTICE OF SPECIFICATION ADDENDUM (06/05)

The specifications for the hood that you are installing or plan to install will have one of two different blower outlet configurations (round or rectangular). Please reference the appropriate specification sheet for information that pertains to your specific configuration.

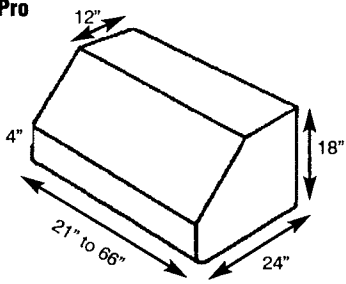
If there is any question as to what type of unit you will be receiving or currently have, please contact your dealer or distributor for assistance.

Vent Hood SPECIFICATION SHEET

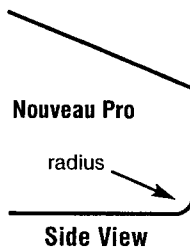
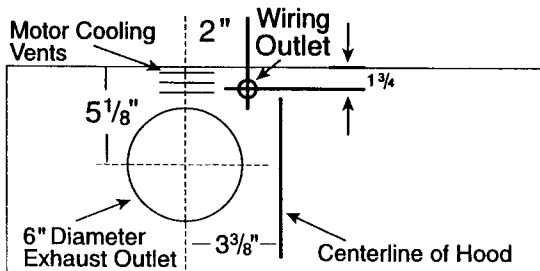
MODELS: NP18, NPH18, NPX18, NPXH18 Nouveau Pro
 Note: "H" in the first part of the part number indicates halogen lighting.

NP18/NPH18

Nouveau Pro

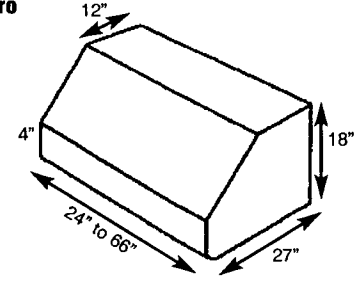


TOP VIEW - B100 Single Blower Location

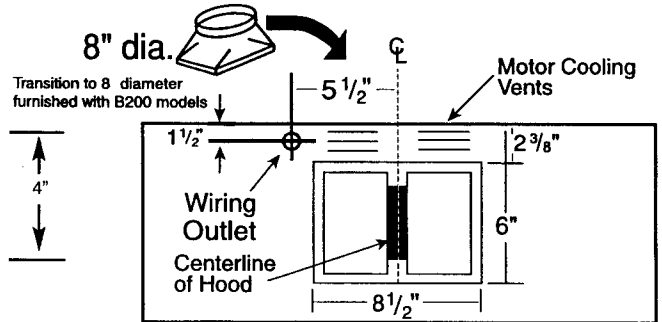


NPX18/NPXH18

Nouveau Pro



TOP VIEW - B200 Dual Blower Location



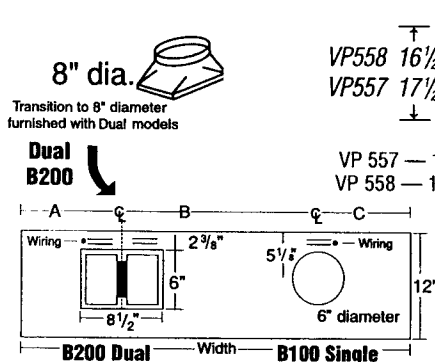
ELECTRICAL/MECHANICAL SPECIFICATIONS FOR BLOWER UNITS

Model	Motor	Type	Volts	Amps	HZ	RPM	CFM SP@.0"	Equivalent CFM	CFM SP@.0.1"	CFM SP@.0.2"	CFM SP@.0.3"	Minimum Round Duct Size	Square Inches
B100 Single	1/25	Shaded Pole	115	1.7•	60	1550	300	450	286	270	240	6" (or equivalent)	28
B200 Dual	(2) 1/25	(2) Shaded Pole	115	3.4•	60	1550	600	900	572	540	480	8" (or equivalent)	50

• Note: Add 2.5 amps for each warming light and 1.0 additional amp for each halogen bulb. Equivalent CFM explained in the checklist on page 19 of literature.

Lighting: Hood is available with fluorescent light (1 for each single or dual blower) or with halogen lights - 24" to 41" - 2 lights, 42" to 53" - 3 lights, 54" to 66" - 4 lights, 66" + 1 light for each 16" of width.

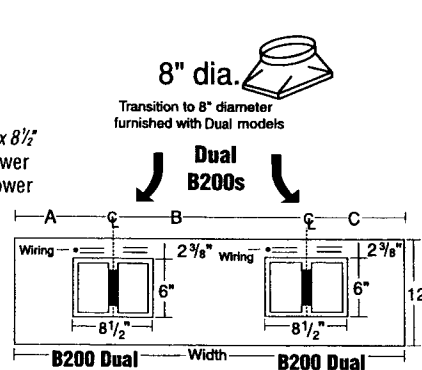
EP Transition — Available for Multiple Blower Application at Additional Charge
 This will "Center" 10" or 12" Duct on Top of Hood.



Top View — Single and Dual Blower (B300)

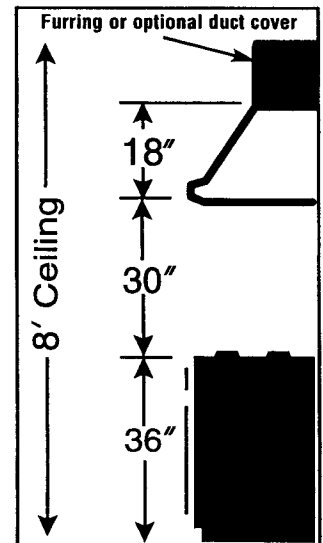
Blowers are spaced 14 5/8" center to center on the top of the hood. To find the centerlines of each duct opening, find the center of the top of the hood, and measure 7 5/8" to the left, and 7 5/8" to the right. Only available on hoods 42" to 66" wide.

For hoods greater than 66" in width, ask for blower locations.



Top View — Two Dual Blowers (B400)

Blowers are spaced 22" center to center on the top of the hood. To find the centerlines of each duct opening, find the center of the top of the hood, and measure 11" to the left, and 11" to the right. Only available on hoods 48" to 66" wide.

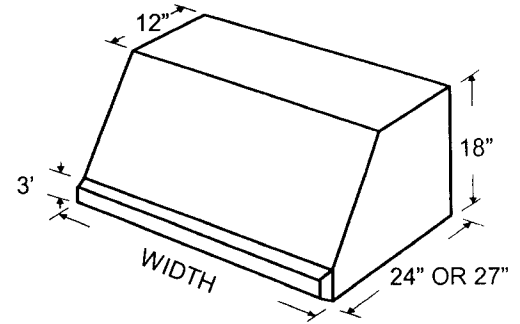
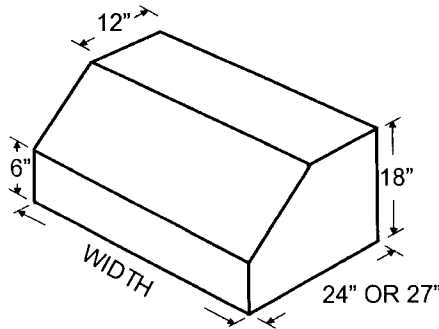
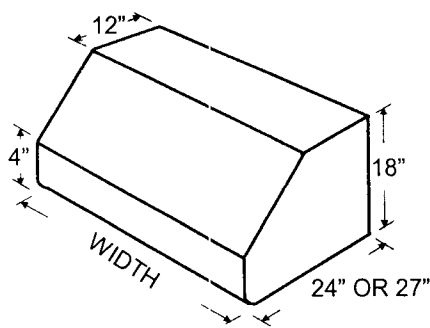


SPECIFICATIONS SUBJECT TO CHANGE WITHOUT NOTICE.

VentA Hood® WALL MOUNT RANGE HOOD SPECIFICATIONS

NP18/NPH18/NPX18/NPXH18/PR18/PRH18/PRX18/PRXH18/SL18/SLH18/SLX18/SLXH18

"H" in part number indicates halogen lighting. WBAR warming light bar is available on selected models (included on NP Series).

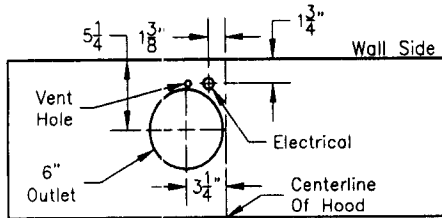


NP(X)18/NP(X)H18 (Includes WBAR warming light bar) PR(X)18/PR(X)H18

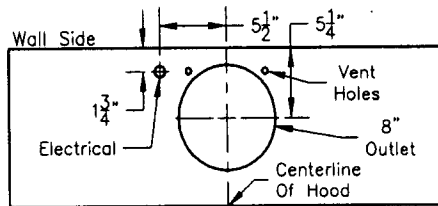
(X) in part number indicates 27" depth

SL(X)18/SL(X)H18

Blower Outlet Diagrams (30" - 48" Widths)

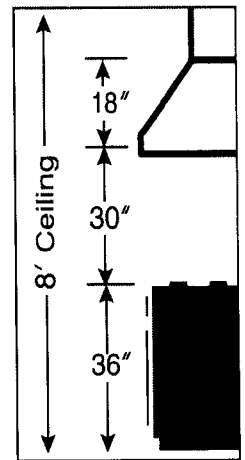


Top View--B100 Single Blower

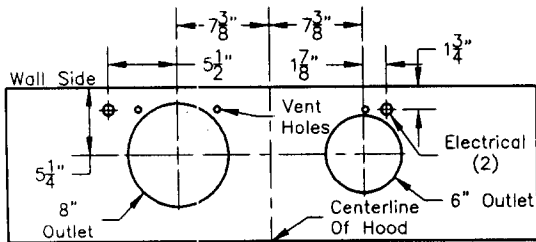


Top View--B200 Dual Blower

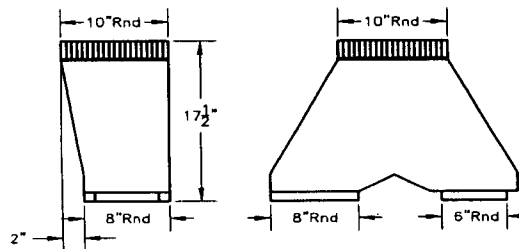
Mounting Height



Blower Outlet Diagrams (42" - Wider)

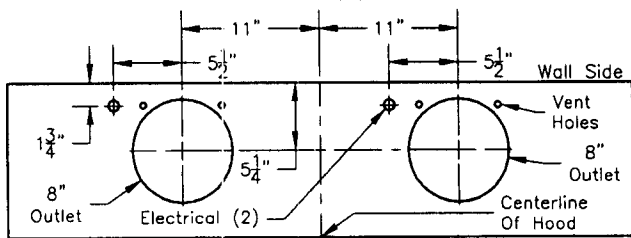


B200 Dual Blower B100 Single Blower
Top View

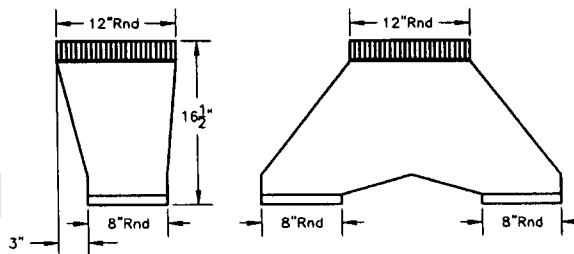


VP562 Transition (Optional) For B300
(B200 Dual Blower & B100 Single Blower)

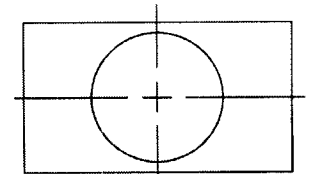
Blower Outlet Diagrams (48" - Wider)



B200 Dual Blower B200 Dual Blower
Top View



VP563 Transition (Optional) For B400
(B200 Dual Blower & B200 Dual Blower)



VP562/VP563
transitions
center outlet
over top of hood

Electrical/Mechanical Specifications For Blower Units

Model	Motor	Type	Volts	Amps	HZ	RPM	CFM SP@0"	Equivalent CFM	CFM SP@0.1"	CFM SP@0.2"	CFM SP@0.3"	Minimum Round Duct Size	Square Inches
B100 Single	1/25	Shaded Pole	115	1.7•	60	1550	300	450	286	270	240	6" (or equivalent)	28
B200 Dual	(2) 1/25	(2) Shaded Pole	115	3.4•	60	1550	600	900	572	540	480	8" (or equivalent)	50

●Note: Add 2.5 amps for each warming light and .5 amp for each halogen bulb. Equivalent CFM refers to the fact that the Magic Lung blower uses centrifugal filtration units, whereas others use conventional filters. Apply this guideline when comparing blower units made by other manufacturers. Hood is available with fluorescent light (1 for each single or dual blower) or with halogen lights- 24" to 41" 2 lights, 42" to 53" 3 lights, 54" to 66" 4 lights, over 66" 1 light for each 16" hood width.

SPECIFICATIONS SUBJECT TO CHANGE WITHOUT NOTICE Rev. 05/05