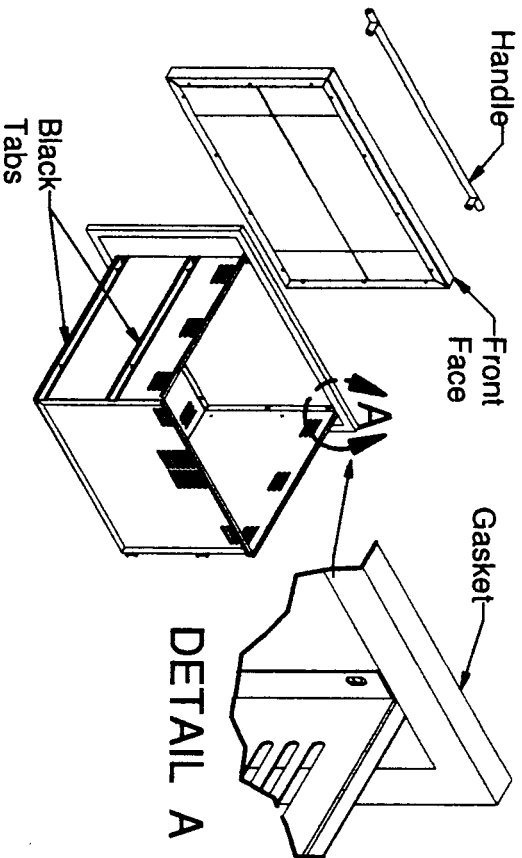


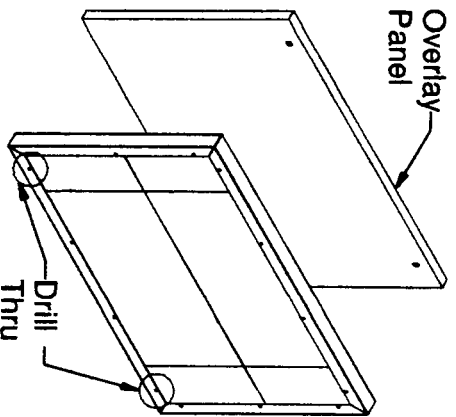
# Directions for Applying Overlay Panel

## Materials Supplied:

- 1 - Drill Bit 3/16"
- 4 - Screws M4 x 25 Flat Hd Phillips (For Handle)
- 8 - Screws #10 x 1.75 Type AB Phillips



- ### Step 1
- 1) Remove both drawers from unit by opening drawers and pushing in black tabs on either side of the slides. You must hold in tabs to disengage slide.
  - 2) Peel back gasket (Fig A) and remove 14 screws to remove front face and handle.
  - 3) Throw out the 2 screws that attach the handle.

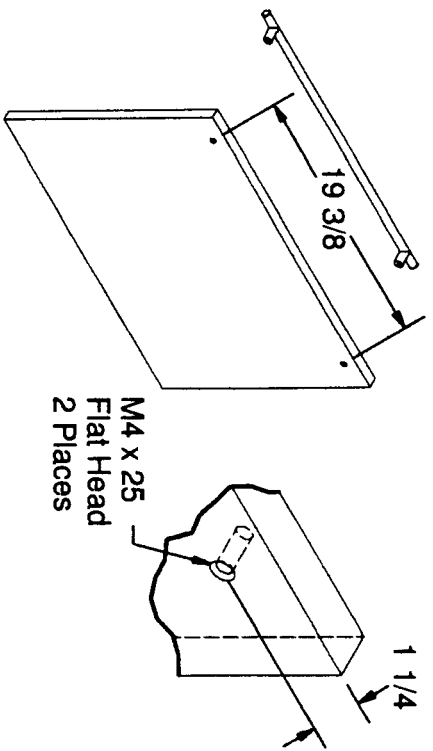


- ### Step 2
- 1) Drill the bottom 2 holes from the back thru to the face as shown in the drawing using the supplied drill bit. Drill the holes opposite the handle holes.
  - 2) Cut overlay panels as follows:  
Top: 23-7/16 x 15-11/16  
Bottom: 23-7/16 x 12- 9/16



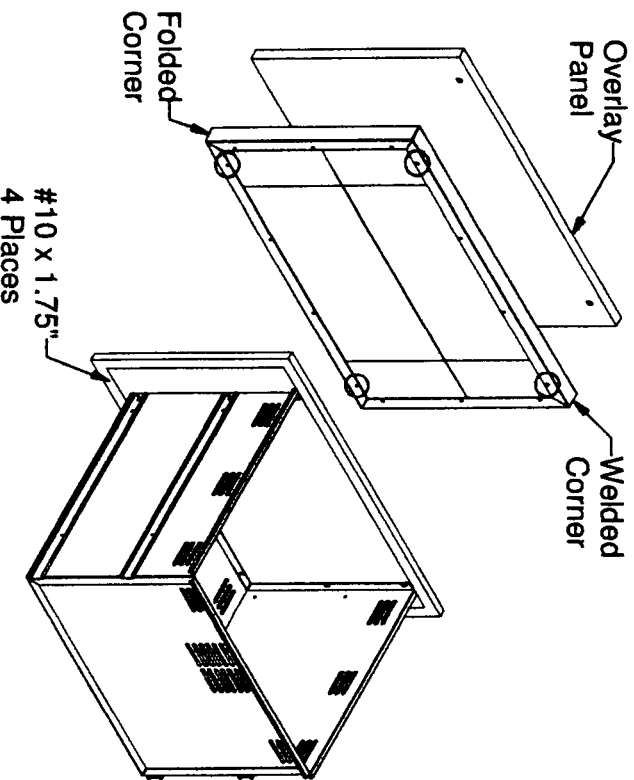
**SP6DS-2D**

**Felix Storck, Inc.  
Bronx, NY 10474**



### Step 3

- 1) If reusing the handle that came with the unit, drill two holes 19 3/8" apart and a minimum of 1 1/4" from the top.
- 2) Screw handle on using the supplied screws. Drive screws flush with panel. Screws are designed for 3/4" overlay panel. If thickness other than this is used, customer will supply.



### Step 4

- 1) Peel back gasket and screw the front face to the drawer using the 10 screws that were removed in Step 1. Do not put these screws in the 4 holes circled in drawing. Make sure screws go thru pre-existing holes in gasket and keep it straight.
- Note:**  
The front face is installed with welded corners on top and folded corners on bottom.
- 2) Align the overlay panel to the front face and screw together with the 4 supplied screws in the 4 remaining holes.
- 3) Install both drawers back into unit.



SP6DS-2D

Felix Storch, Inc.  
Bronx, NY 10474