

## Planning & Design: Dishwashers

# FITTING THE D5233XXLFI, D5233XXLFIENC, D5253XXLFI, D5893XXLFI & D5883XXLFI ASKO-MADE OR CUSTOM DOOR PANEL – 4-INCH TOE KICK

The D5233XXLFI, D5233XXLFIENC, D5253XXLFI, D5893XXLFI and D5883XXLFI can be installed with a fully-integrated, buyer-supplied custom door panel or ASKO accessory panel (see accessory door page) that extends from the toe kick to the counter top. The unit comes with everything needed to make installing the door panel easy. The door is predrilled for the panel's mounting screws.

The custom panel should be a minimum of 3/4" (19 mm) thick.

### Items Provided With The Unit

- Two 3/8" screws
- Six 1-3/4" screws

### CUSTOM PANEL DIMENSIONS

<b>WIDTH</b>	23-5/8" min* (600 mm)
<b>HEIGHT</b>	30-1/8" (765 mm) (Measured from the top of the panel to the lower edge of the kitchen cabinet.)
<b>THICKNESS</b>	3/4" (19 mm)
<b>WEIGHT</b>	Up to 13 lbs Up to 20 lbs with accessory spring

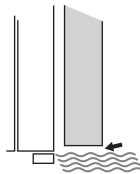
### Installing The Custom Panel or ASKO Accessory Panel – 4-Inch Toe Kick

Before fitting the door panel, the dishwasher must be installed underneath the cabinet. After you've made the required measurements, pull the machine out again to install the panel.

Refer to the illustration at right for instruction references.

1. Fit the handle (A) onto the panel according to the manufacturer's instructions. (NOTE: A handle should be used rather than a knob, because a knob does not provide enough grip.)

**IMPORTANT!** The custom panel must not obstruct the fan exhaust vent; otherwise, moisture from the vent could eventually damage the cabinet and create drying problems.

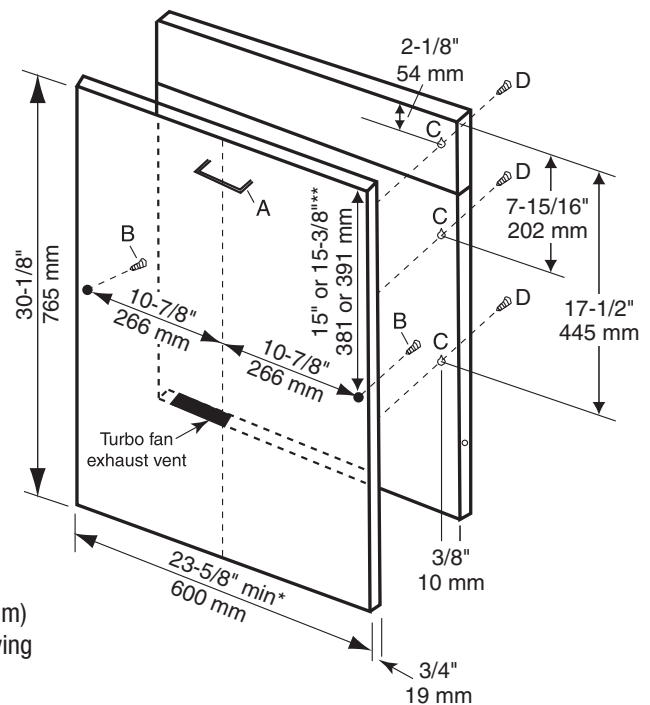


2. The two short screws (B) go into the back of the panel, 15" or 15-3/8" (381 or 391 mm) from the upper edge of the panel and 10-7/8" (266 mm) from the center of the panel. Insert the short screws into the panel, leaving 1/8" (3 mm) of space between the screw head and the panel.
3. Hook the panel screws (D) into the keyholes (C) on the dishwasher door.
4. Slide the panel to the left until it is centered in the opening, and secure the screws.
5. Open the door and use the six screws (D) supplied to secure the panel to the door.

**NOTE:** If the door panel weighs more than 13 pounds, you may need to order the heavy-duty door springs. (See accessory page.)

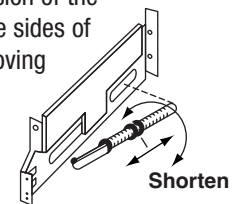
\*Max panel width cannot exceed cutout dimensions less 1/8" (2.5 mm) reveal on each side.

\*\*With use of optional FI trim kit.



### Adjusting The Door Springs

Before you push the dishwasher into the cabinet opening, test the door to make sure it stays in place at any angle. If it tends to fall down, pull out the machine and adjust the tension of the door springs on the sides of the machine by moving them one hole further back or by twisting the spring to make it shorter.



## Planning & Design: Dishwashers

# FITTING THE D3251FI (ADA TANK) ASKO-MADE OR CUSTOM DOOR PANEL – 6-INCH TOE KICK

The D3251FI can be installed with a fully-integrated, buyer-supplied custom door panel or ASKO ADA accessory panel (see page 7) that extends from the toe kick to the counter top. The unit comes with everything needed to make installing the door panel easy. The door is predrilled for the panel's mounting screws.

The custom panel should be a minimum of 3/4" (19 mm) thick.

### Items Provided With The Unit

- Two 3/8" screws
- Four 1-3/4" screws

### CUSTOM PANEL DIMENSIONS

<b>WIDTH</b>	23-1/2" (597 mm)*
<b>HEIGHT</b>	28-1/8" (714 mm) (Measured from the top of the panel to the lower edge of the kitchen cabinet.)
<b>THICKNESS</b>	3/4" (19 mm)
<b>WEIGHT</b>	Up to 18 lbs Up to 24 lbs with accessory spring

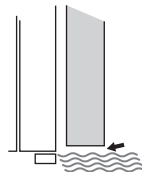
### Installing The Custom Panel – 6-Inch Toe Kick

Before fitting the custom panel, the dishwasher must be installed underneath the cabinet. After you've made the required measurements, pull the machine out again to install the panel.

Refer to the illustration at right for instruction references.

1. Fit the handle (A) onto the panel according to the manufacturer's instructions. (NOTE: A handle should be used rather than a knob, because a knob does not provide enough grip.)

**IMPORTANT!** The custom panel must not obstruct the fan exhaust vent; otherwise, moisture from the vent could eventually damage the cabinet and create drying problems.

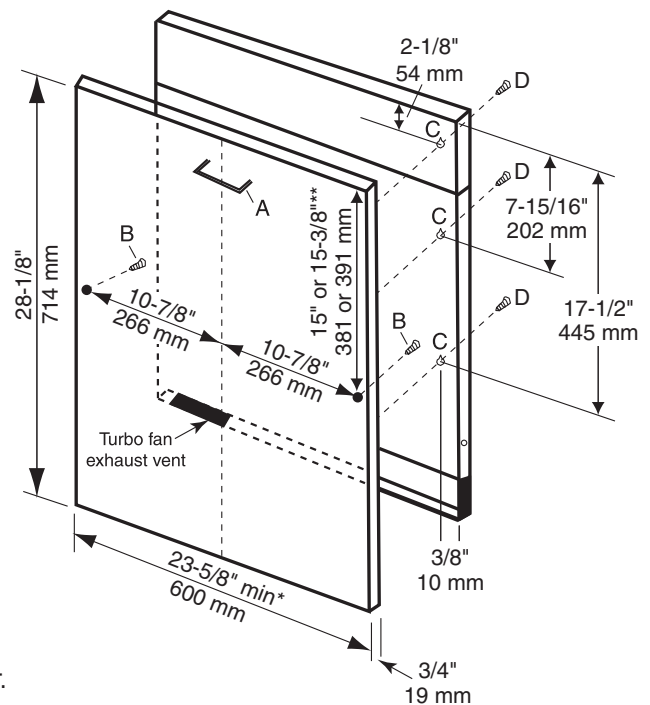


2. The two short screws (B) go into the back of the panel, 15-1/16" (382 mm) from the upper edge of the panel and 10-7/8" (266 mm) from the center of the panel. Insert the short screws into the panel, leaving 1/8" (3 mm) of space between the screw head and the panel.
3. Hook the panel screws (D) into the keyholes (C) on the dishwasher door.
4. Slide the panel to the left until it is centered in the opening, and secure the screws.
5. Open the door and use the four screws (D) supplied to secure the panel to the door.

**NOTE:** If the door panel weighs more than 18 pounds, you may need to order the heavy-duty door springs. (See page 8.)

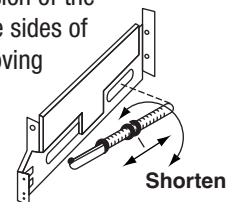
\*Max panel width cannot exceed cutout dimensions less 1/8" (2.5 mm) reveal on each side.

\*\*With use of FI trim kit.



### Adjusting The Door Springs

Before you push the dishwasher into the cabinet opening, test the door to make sure it stays in place at any angle. If it tends to fall down, pull out the machine and adjust the tension of the door springs on the sides of the machine by moving them one hole further back or by twisting the spring to make it shorter.



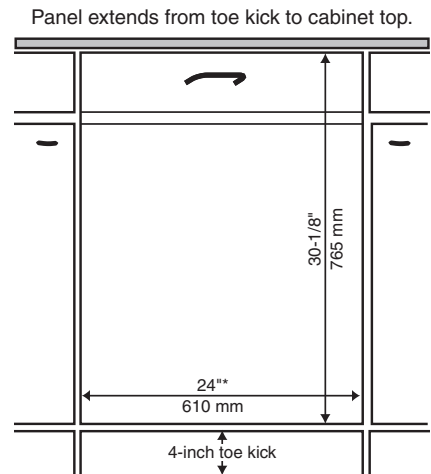
## Planning & Design: Dishwashers

# D5233XXLFI, D5253XXLFI, D5893XXLFI AND D5883XXLFI DOOR PANEL INSTALLATION OPTIONS

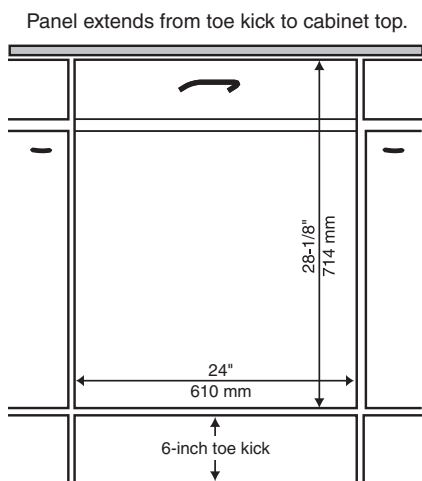
### 4-inch Toe Kick Installations

#### Custom panels that extend to cabinet top

The preferred installation option for a 4" toe kick is to extend the custom panel to the cabinet top (as illustrated). A one-piece ASKO accessory panel with a curved handle is available for 4-inch toe kick installations (see page 7).



## D3251FI DOOR PANEL INSTALLATION OPTIONS

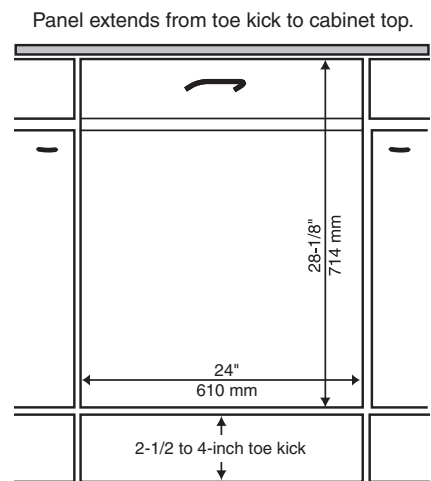


### ◀ 6-inch Toe Kick Installations

For 6" toe kick installations, no decorative fill strips or support strips are necessary.

### ADA-Type Installations ▶

For counters with a maximum height of 34" (864 mm). For cabinet openings of 32-1/4" (819 mm) to 34" (864 mm) (minus counter thickness).



## D5000FI TRIM KIT INSTALLATION OPTIONS

ASKO D5000FI dishwashers can be installed either with or without accessory fill strips depending on the type of installation. If the dishwasher cutout has been cut to European widths of 23-5/8", the units won't require fill strips. If the dishwasher cutout is a standard 24" wide, we have fill strips that make the unit 24" wide.



### ASKO Accessory Panel Installation

The ASKO accessory fill kit 8077317-95, which includes the counter saver fill strip and both side fill strips, should be installed in the back mounting holes.



### Custom Wood Panel Installation

The ASKO accessory fill kit 8078982-95, which includes the counter saver fill strip and both side fill strips, should be installed in the front mounting holes.