



Installation Instructions

Preference® Renaissance Cooktop

Models: RGC304, RGC365

Table of Contents

Important Safety Instructions	1	Installation Instructions	6
Important Information About Safety Instructions	1	Verify Package Contents	6
Safety Symbols and Labels	1	Installing the Cooktop	6
General Safety Precautions	2	Connecting the Gas Line	6
Electrical Requirements	3	Installing the Burner Components	7
Gas Supply Requirements	3	Verifying Proper Operation	8
Installation Specifications	4	Installation Checklist	9
Cabinet Layout	4	Notes	10
Product and Cutout Dimensions	5		

Before You Begin...

Important:

- **Installer:** In the interest of safety and to minimize problems, read these installation instructions completely and carefully before you begin the installation process. Leave these installation instructions with the customer.
- **Customer:** Keep these installation instructions for future reference and the local electrical inspector's use.

NOTE: Dacor is not responsible for service required to correct a faulty installation.

Customer Service Information

If You Need Help...

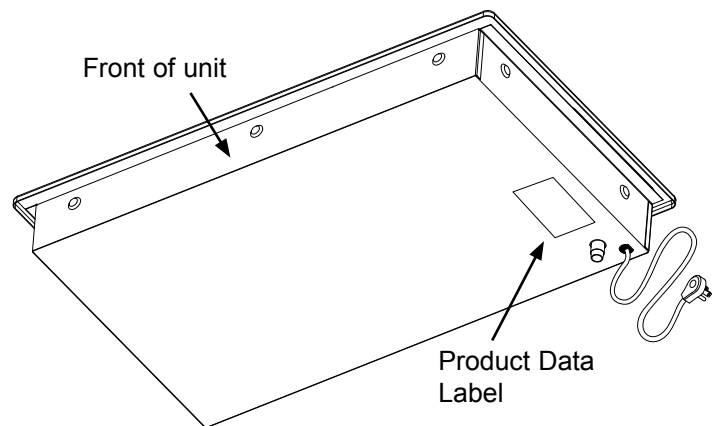
- If you have questions or problems with installation, contact your Dacor® dealer or the Dacor Customer Service Team. When you call, have the model and serial number of the appliance ready. The model and serial number are printed on the product data label.

Dacor Customer Service

Phone: (800) 793-0093 (U.S.A. and Canada)
Web site: www.Dacor.com
Monday — Friday 6:00 A.M. to 5:00 P.M. Pacific Time

Product Data Label

- The product data label contains the model and serial number information and the electrical and gas supply requirements.
- It is attached to the chassis on the bottom of the unit.



All specifications are subject to change without notice. Dacor assumes no liability for changes to specifications.

Important Safety Instructions

Important Information About Safety Instructions

- The **Important Safety Instructions** and warnings in these instructions are not meant to cover all possible problems and conditions that can occur. Use common sense and caution when installing, maintaining or operating this or any other appliance.
- Always contact the Dacor Customer Service Team about problems and conditions that you don't understand. See **Customer Service Information**.

Safety Symbols and Labels

DANGER

Immediate hazards that **WILL** result in severe personal injury or death.

WARNING

Hazards or unsafe practices that **COULD** result in severe personal injury or death.

CAUTION

Hazards or unsafe practices that **COULD** result in minor personal injury or property damage.

WARNING

TO REDUCE THE RISK OF INJURY TO PERSONS IN THE EVENT OF A RANGE TOP GREASE FIRE:

- a. SMOTHER FLAMES with a close-fitting lid, cookie sheet or metal tray, then turn off the burner. BE CAREFUL TO PREVENT BURNS. If the flames do not go out immediately, EVACUATE AND CALL THE FIRE DEPARTMENT.
- b. NEVER PICK UP A FLAMING PAN - you may be burned.
- c. DO NOT USE WATER, including wet dish cloths or towels - a violent steam explosion may result.
- d. Use a fire extinguisher ONLY if:
 - ◇ You have a Class ABC extinguisher, and you already know how to operate it.
 - ◇ The fire is small and contained in the area where it started.
 - ◇ The fire department is being called.
 - ◇ You can fight the fire with your back to an exit.

DANGER

IMPORTANT: If you smell gas:

- Do not use or light any appliance.
- Do not touch any electrical switch or use any electrical devices, including the telephone, in your building.
- From a neighbor's phone, immediately call the gas supplier. Follow the gas supplier's instructions.
- If you cannot contact the gas supplier, call the fire department.

DANGER

IMPORTANT: Do not store or use combustible, flammable or explosive vapors and liquids (such as gasoline) on or in the vicinity of this or any other appliance. Also keep items that could explode, such as aerosol cans, away from the cooktop. Do not store flammable or explosive materials in adjacent cabinets or areas (including above and below the cooktop).

WARNING

WARNING – NEVER use this appliance as a space heater to heat or warm the room. Doing so may result in carbon monoxide poisoning and overheating of the appliance.

WARNING

WARNING – NEVER cover any slots, holes or passages on the cooktop and cooktop chassis. Doing so blocks air flow through the cooktop and may cause carbon monoxide poisoning. Aluminum foil linings may also trap heat, causing a fire hazard. Keep all slots, holes and passages clear of grease and grime.

CALIFORNIA PROPOSITION 65 WARNING

The burning of gas cooking fuel generates some by-products that are on the list of substances which are known by the State of California to cause cancer or reproductive harm. California law requires businesses to warn customers of potential exposure to such substances. To minimize exposure to these substances, always operate this unit according to the use and care manual, ensuring you provide good ventilation when cooking with gas.

READ AND SAVE THESE INSTRUCTIONS

Important Safety Instructions

General Safety Precautions

To reduce the risk of fire, electric shock, serious injury or death when using your appliance, follow basic safety precautions, including the following:

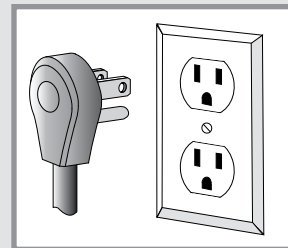
WARNING

- Read the accompanying use and care manual completely before operating this appliance.
- Keep packaging materials away from children. Plastic sheets and bags can cause suffocation.
- If you receive a damaged product, immediately contact your dealer or builder. Do not install or use a damaged appliance.
- This cooktop must be properly installed and grounded by a qualified installer according to these installation instructions prior to use. The installer should show the customer the location of the gas shut off valve and the power cord so that they know where and how to turn off the gas supply and disconnect power to the cooktop.
- Do not use this appliance in combination with a surface (countertop) ventilation system. Dacor strongly recommends the installation of a range hood in conjunction with this appliance.
- Do not install, repair or replace any part of the cooktop unless specifically recommended in the literature accompanying it. A qualified service technician should perform all other service.
- Before servicing or installing this cooktop, make sure that the gas supply is turned off at the gas supply valve and that the power plug is disconnected from the electrical outlet.
- Disconnect the power plug from the electrical outlet before cleaning. Clean this appliance only in the manner specified in the use and care manual.
- Only use the cooktop for cooking tasks expected of a home appliance as outlined in the literature accompanying it. This cooktop is not intended for commercial or laboratory use.
- **DO NOT TOUCH THE SURFACES OF THE COOKTOP DURING OR IMMEDIATELY AFTER USE.**
- Do not operate this appliance if the power cord is damaged.
- Turn the knobs to the OFF position prior to removing them from the valve stems.
- To avoid a fire hazard, do not hang flammable or heat sensitive objects over the cooktop.
- Do not climb on any part of the appliance.

WARNING

- Do not leave children alone or unattended in the area around the cooktop. Do not allow children to play with the controls or touch other parts of the cooktop. Do not store items of interest to children on top of or above the cooktop. Children could be burned or injured while climbing on the appliance.
- Clean the cooktop thoroughly before operating it for the first time. Make sure that all the cooktop parts are dry before lighting a burner.
- Keep flammable items, such as paper, cardboard, plastic and cloth away from the burners and other hot surfaces. Do not place such items on the cooktop. Do not allow pot holders to touch hot surfaces or gas burners.
- Do not wear loose or hanging apparel while using the cooktop. Do not allow clothing to come into contact with the cooktop and surrounding areas during and immediately after use.
- Do not use towels or bulky cloth as pot holders.
- Do not use the cooktop to heat sealed containers. The container and contents may explode, causing personal injury.
- If the cooktop is near a window, do not use long curtains as window treatment. The curtains could blow over the cooktop and create a fire hazard.
- Non-stick coatings, when heated, can be harmful to birds. Remove birds to a separate, well-ventilated room when operating the cooktop.

IMPORTANT - This appliance is equipped with a three-prong grounding plug for your protection against possible electric shock hazards. Plug it only into a dedicated, grounded three-prong electrical outlet. It is the responsibility of the customer to make sure the proper type of outlet is installed. **Do not under any circumstances:**



- Cut or remove the third (ground) prong from the power cord.
- Do not use an adapter plug.
- Do not use an extension cord.
- Do not use a power cord that is frayed or damaged.
- Do not connect to an electrical outlet with a ground fault interrupter (GFI).

Installation Specifications

WARNING

Observe all governing codes and ordinances during planning and installation. Contact your local building department for further information.

Electrical Requirements

WARNING

To prevent an electric shock hazard, the power supply must meet the specifications stated below. It is the owner's responsibility to make sure that the electrical service meets electrical requirements and that the electrical outlet has been properly installed.

- The cooktop is supplied with a factory installed, 40-inch, three prong, grounding electrical plug. It is connected to the chassis at the bottom right rear corner. It must be connected to a dedicated, grounded three prong electrical outlet installed by a licensed electrician.
- The electrical installation, including minimum supply wire size and grounding, must be done in accordance with National Electric Code ANSI/ NFPA 70* and local codes and ordinances. A copy of this standard may be obtained from:
National Fire Protection Association
1 Batterymarch Park
Quincy, MA 02269-9101
- The correct voltage, frequency, and amperage must be supplied to the electrical outlet according to the product data label located on the bottom of the chassis. See the table below for reference.
- Be certain to locate the electrical outlet so that the power cord may be easily disconnected if the unit needs service.
- Do not plug the cooktop into a ground fault interrupter (GFI) electrical outlet.

	RGC304 RGC365	RGC304LP RGC365LP
Total Connected Load	0.25 Amps (0.03 kW)	0.25 Amps (0.03 kW)
Circuit Requirement	120 Vac, 60 Hz, 15 Amp	120 Vac, 60 Hz, 15 Amp
Gas Type	Natural	LPG
Manifold Pressure	5" Water Column	10" Water Column
Min. Gas Supply Pressure	6" Water Column	11" Water Column

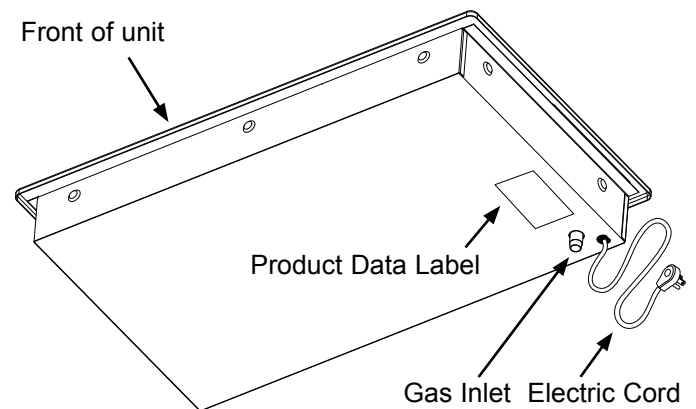
Gas and Electrical Requirements*

* The data above is for reference only. If the above data does not agree with the product data label, use the data on the product data label.

Gas Supply Requirements

- Be certain that the cooktop being installed is correct for the gas service being provided (natural gas or LP gas). Also, if operating the cooktop at an altitude above 4000 ft. (1219 m) make sure it is equipped for high altitude operation.
- Units equipped for LP operation have "LP" in the model number listed on the product data label. See the diagram below for label location.
- Units equipped for high altitude operation have an "H" at the end of the model number listed on the product data label.
- Check your local building codes for the proper method of installation. In the absence of local codes, this appliance should be installed in accordance with the National Fuel Gas Code ANSI Z223.1/NFPA 54.
- See the product data label for gas supply pressure requirements or the table below for reference. Make sure the gas supply meets minimum requirements.
- An external manual shut-off valve must be installed between the gas inlet and the cooktop, for the purpose of turning on or shutting off gas to the appliance.
- The cooktop comes from the factory with a regulator in the shipping carton. Use only the regulator provided. The regulator must be installed in the gas line that runs from the cooktop gas inlet to the gas shut off valve.
- The regulator inlet accommodates a 3/4" gas line. The inlet to the cooktop itself is equipped with a 3/4" male NPT fitting.

The cooktop gas and electrical connections are located on the bottom of the cooktop in the back right corner as you face the front of the unit. See the diagram below.



Chassis Bottom

Installation Specifications

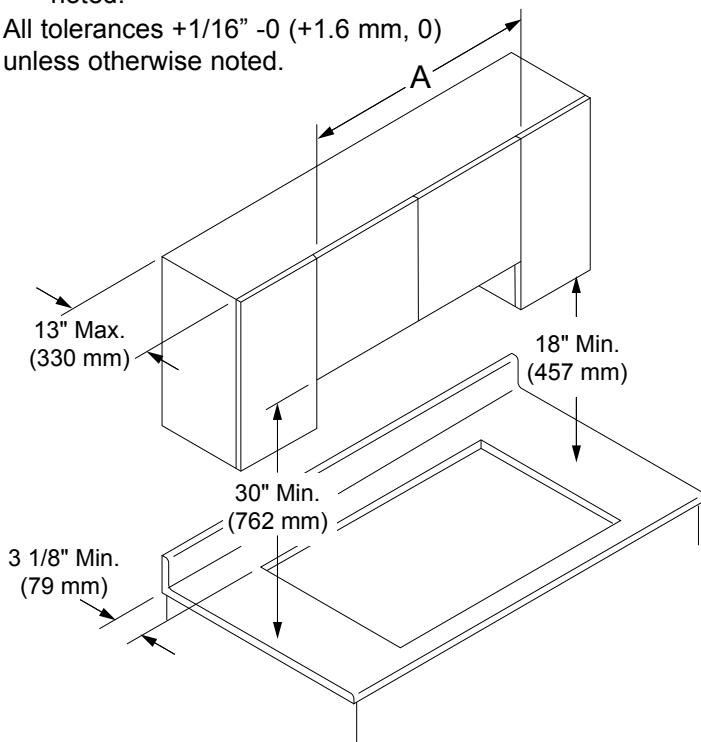
Cabinet Layout

WARNING

- To reduce the risk of personal injury caused by reaching over a hot appliance, avoid locating cabinet storage space directly above the cooktop.
- To reduce the risk of fire hazard, observe all specified clearances.
- The back edge of the cooktop must be located a minimum of 2 1/2" (64 mm) from any combustible backsplash material. Special cabinet and countertop dimensions may be required.
- Follow the countertop manufacturer's instructions regarding the minimum corner radius, use of heat reflective tape, reinforcement of corners, etc.

- The cooktop is designed for a 24" (610 mm) minimum base cabinet depth.
- Carefully check the location where the cooktop will be installed. For best performance, the cooktop should be placed away from drafts that may be caused by doors, windows and heating and air conditioning outlets.
- Plan the installation so that all clearances shown below are met or exceeded. Dimensions shown provide minimum and maximum clearances, unless otherwise noted.

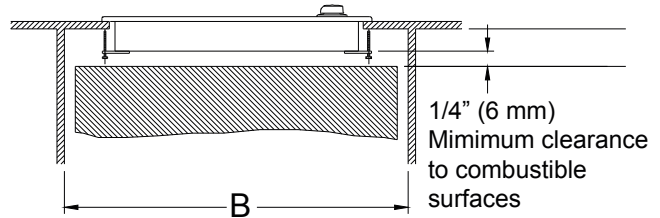
All tolerances +1/16" -0 (+1.6 mm, 0) unless otherwise noted.



Clearances to Combustibles

Model	A: Minimum	A: Recommended
RGC304	30" (762 mm)	36" (914 mm)
RGC365	36" (914 mm)	42" (1067 mm)

- Allow a minimum 1/4" (6 mm) clearance between the bottom of the cooktop chassis and all combustible surfaces, including the upper edge of a drawer installed below the cooktop.



Under Cabinet Clearances

Model	B: Minimum
RGC304	29" (737 mm)
RGC365	35 1/4" (895 mm)

- The gas supply piping, gas shut-off valve and the electrical outlet must be located so they do not interfere with the cooktop when it is installed. If installing another appliance in the cabinet below, allow for the routing of gas and electrical service behind it.

The installation must allow for the following:

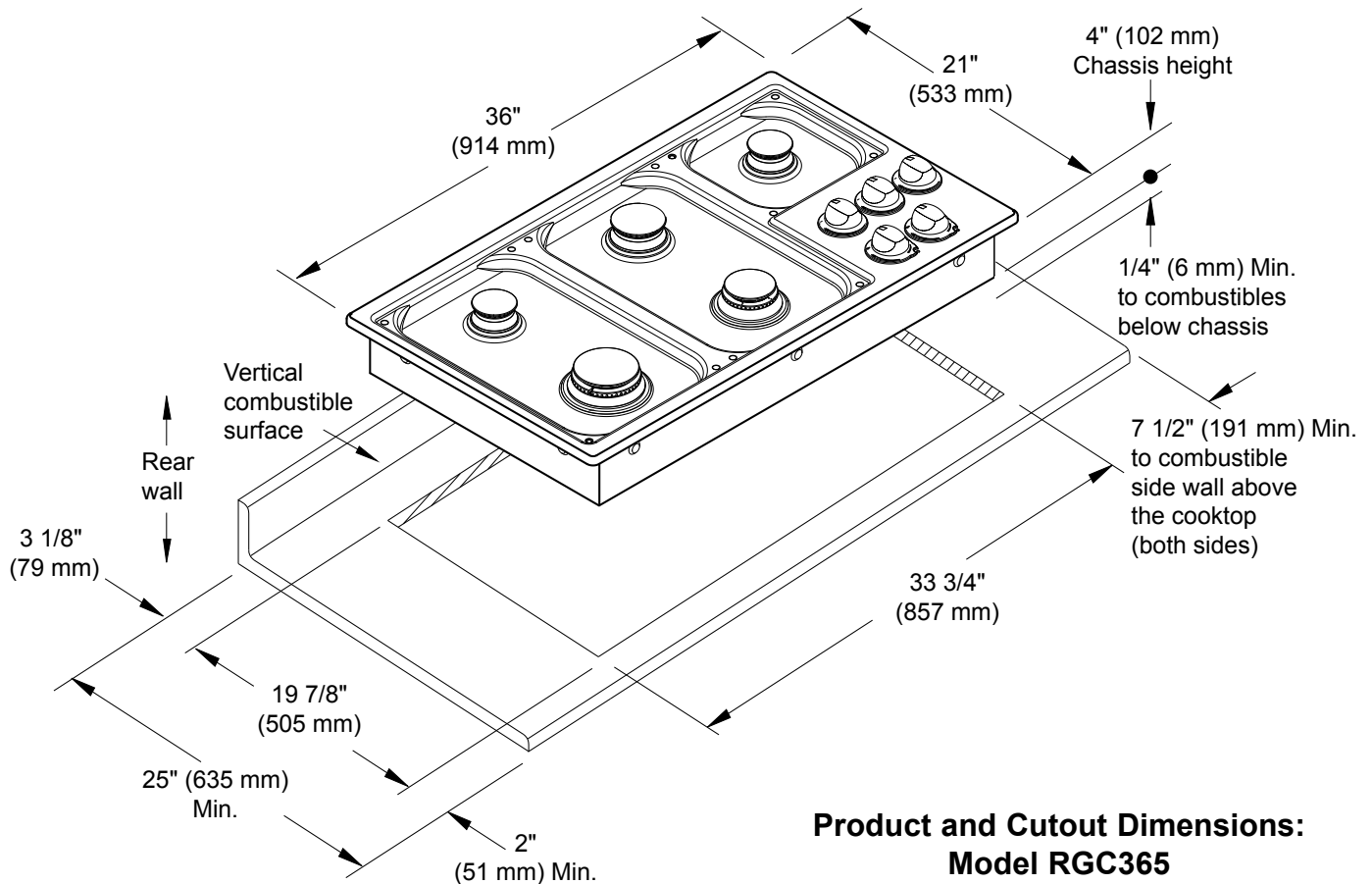
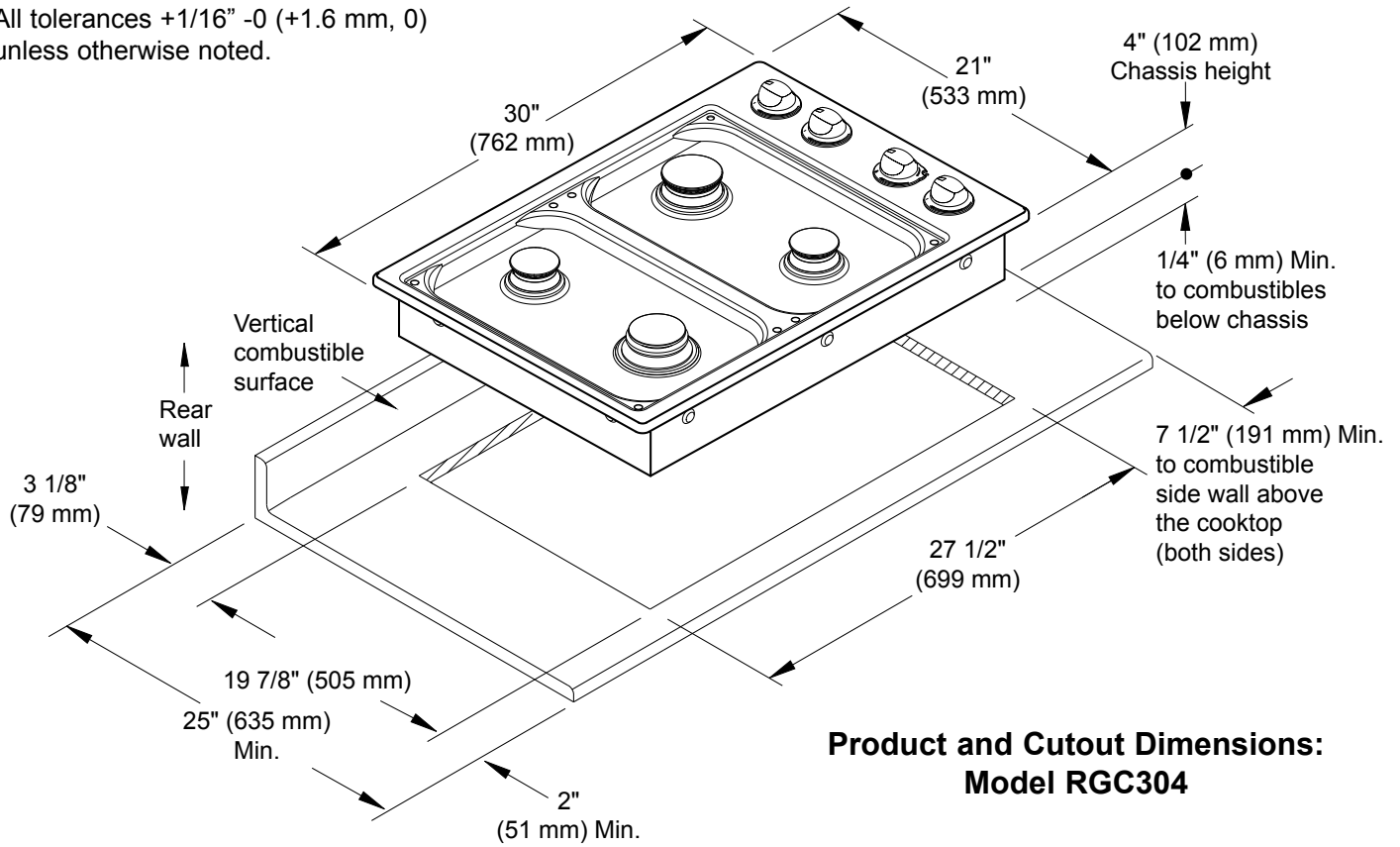
- Access to the gas shut-off valve and regulator when the unit is installed.
- Access to the electrical outlet when the cooktop is in place. The 40" (1016 mm) power cord must be able to reach the electrical outlet.
- Access to the underside of the cooktop for service and inspection purposes.
- Clearance inside the cabinet to allow for proper hold down bracket installation.

To allow access to the utilities and cooktop bottom, a fixed shelf should not be installed below the cooktop.

Installation Specifications

Product and Cutout Dimensions

All tolerances +1/16" -0 (+1.6 mm, 0)
unless otherwise noted.



Installation Instructions

Verify Package Contents

- Literature
- Hold down brackets (2)
- Cleaning kit (stainless steel models only)
- Grates
- Burner sets (4 for model RGC304, 5 for model RGC365)
- Gas pressure regulator

Installing the Cooktop

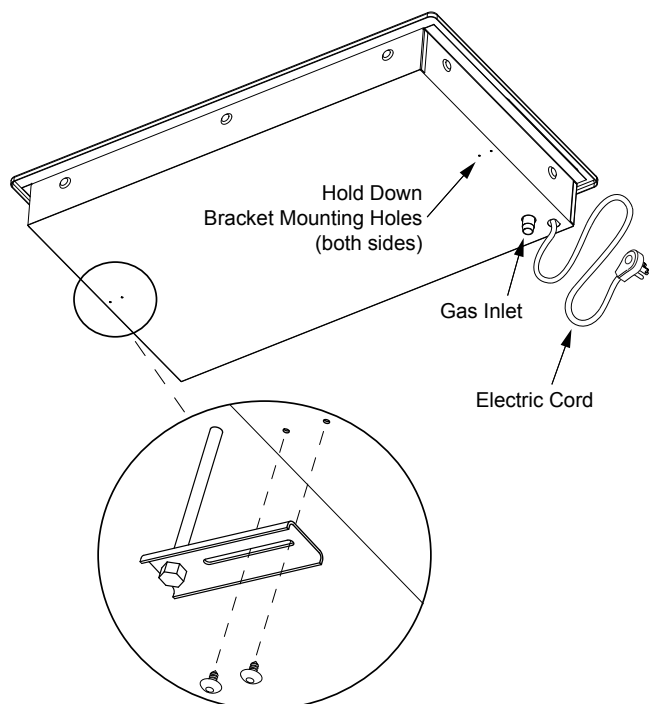
CAUTION

To prevent damage to the gas pressure regulator, install it only after the cooktop is mounted in its permanent position.

IMPORTANT

- Do not over-tighten the hold down screws. Over tightening the hold down bolts may result in improper operation of the dual gas burners.
- Do not use a hardening compound or caulk to permanently seal the cooktop into place. The cooktop must be readily removable if service is required. Removal of sealant to service the unit will be performed at the customer's expense.

1. Lower the cooktop into the cutout and center it.
2. Secure the cooktop to the countertop using the two (2) provided hold-down brackets as shown.



Hold Down Bracket Installation

Connecting the Gas Line

WARNING

- Verify that the gas supply meets specifications before connection. See page 3.
 - Do not install or use the cooktop without the included gas regulator installed.
 - Ensure that the arrow on the regulator points in the direction of the gas flow towards the cooktop.
 - Do not apply excessive pressure when tightening gas connections and fittings.
 - Do not use Teflon tape or plumber's putty on flexible gas line connections.
 - Test the gas lines for leaks as instructed before use. Do not use a flame to check for leaks.
 - The maximum gas supply pressure to the regulator must never exceed ½ pound per square inch (psi) or 3.5 kPa.
 - The cooktop and shut-off valve must be disconnected from the gas supply piping system during any pressure testing exceeding ½ psi (3.5 kPa).
 - The cooktop must be isolated from the gas supply piping system by closing the shut-off valve to the cooktop during any gas supply piping system pressure testing equal to or less than ½ psi (3.5 kPa).
 - For LP gas installations, the LP gas tank must have its own high-pressure regulator in addition to the pressure regulator supplied with the cooktop.
1. Attach the gas pressure regulator (included with the cooktop) to the cooktop pipe nipple inlet. For tight installations, the regulator may be installed upstream from the pipe nipple, anywhere between the shut-off valve and the cooktop. For best performance, minimize gas pressure loss by attaching the regulator as close as possible to the cooktop gas inlet.
 2. Complete connection of the gas supply to the cooktop by installing a minimum ½" flexible gas line (not included) between the pressure regulator and the shut-off valve.
 3. Check for gas leaks:
 - ◇ Turn all cooktop control valves to the **OFF** position.
 - ◇ Turn on the gas supply valve and check all lines and connections for leaks using a soap and water solution or a gas leak detector.
 - ◇ Turn the gas supply off.

Installation Instructions

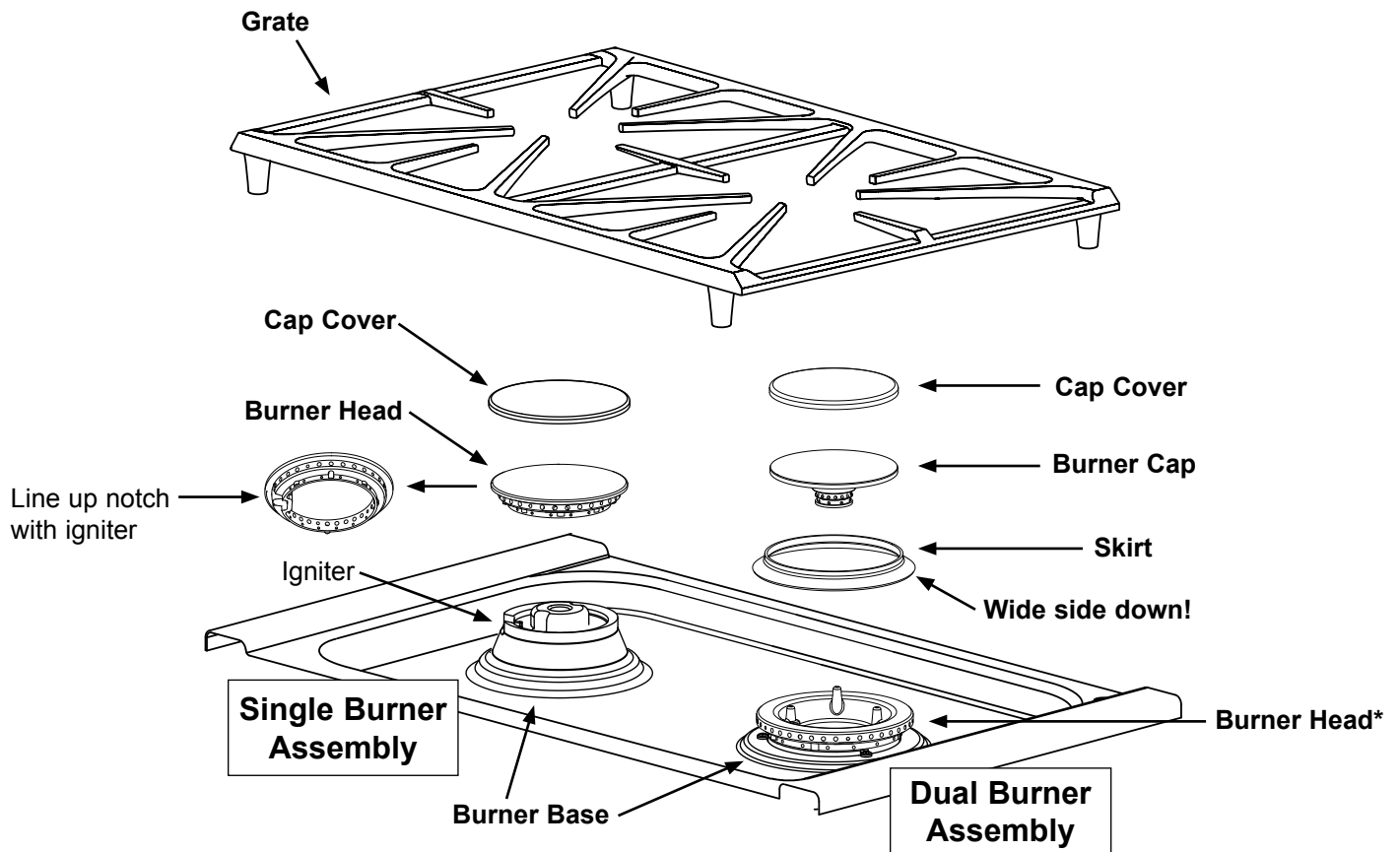
Installing the Burner Components



WARNING

- Never attempt to operate the cooktop with any of the burner parts removed.
- Do not attempt to adjust the burner air mixture settings. All adjustments are preset at the factory.

1. Remove the burner heads, burner rings, burner caps and grates from their shipping packages.
2. Install the burners as shown. When installing the burner components, twist each piece back and forth until it drops completely into place. The burners will not operate properly unless all of the burner pieces are properly seated.
3. Gently set the grates on top of the spill tray. Make sure that the rubber feet are positioned in the dimples.



* The burner head on the dual burner assembly is permanently attached to the burner base. It cannot be removed by the customer.

Installation Instructions

Verifying Proper Operation

WARNING

Make sure that power to the electrical outlet is turned off at the circuit breaker or fuse box and that the gas is turned off at the gas supply valve before proceeding.

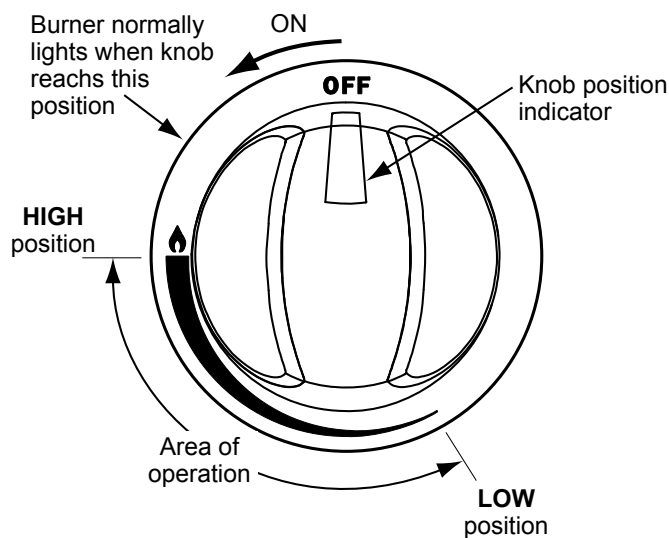
Verify that the power supply meets the specifications on page 3 before proceeding.

The cooktop must be properly grounded at all times when electrical power is applied.

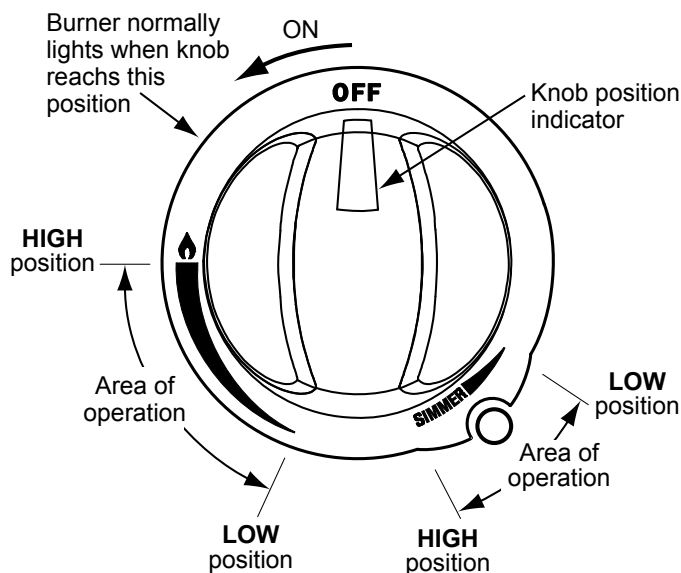
Prior to operating the cooktop, read the accompanying use and care manual carefully.

1. Make sure all the cooktop burner controls are in the **OFF** position.
2. Connect the power cord to the electrical outlet.
3. Turn on power to the electrical outlet at the circuit breaker or fuse box.

4. Depress and turn one burner control knob at a time slowly counterclockwise to the **HIGH** position. Verify that the associated burner igniter sparks, then return the knob to the **OFF** position. Repeat for all of the remaining control knobs.
5. Turn on the gas supply valve.
6. Perform the following ignition test for all of the burners:
 - Press and turn the control knob slowly counterclockwise to the **HIGH** position. Only the selected burner will spark. It may take up to four seconds for the burner to ignite, at which time the igniter will stop sparking. If ignition does not occur within four seconds, turn off the knob, wait for at least two minutes to allow any gas to dissipate, then repeat the test.
 - Once the burner lights, the control knob can be rotated counterclockwise from **HIGH** to **LOW** to adjust the flame height progressively. On dual burners turn the control knob to the simmer setting and make sure the low level flame can be adjusted. When the unit is installed properly, the flame will be steady. It will also have a sharp, blue inner cone that will vary in length proportional to the burner size.



Single Burner Control Knob



Dual Burner Control Knob

NOTE: If the cooktop does not operate properly, follow these troubleshooting steps:

- Verify that power and gas are supplied to the cooktop.
- Check to make sure that the power plug is connected to the electrical outlet and that power is turned on at the circuit breaker or fuse box.
- Check to make sure that the burners are properly seated.
- If the burner continues to spark after ignition without stopping, have a licensed electrician check the electrical outlet for proper grounding or reversed polarity.
- Repeat the above burner ignition test.

If the appliance still does not work, do not attempt to repair the appliance yourself. Contact the Dacor Customer Service Team at (800) 793-0093.

Installation Instructions

Installation Checklist



WARNING

To ensure a safe and proper installation, the following checklist should be completed by the installer to ensure that no part of the installation has been overlooked.

Proper installation is the responsibility of the homeowner. The importance of proper installation of your Dacor cooktop cannot be overemphasized.

- Is the electrical outlet for the cooktop grounded and located according to these instructions and in accordance with all applicable electrical codes? (See Pages 3 and 4).
- Is the gas service for the cooktop located and installed according to these instructions and in accordance with all applicable codes? (See Pages 3 and 4).
- Has the gas supply inlet pressure been measured to ensure that it does not exceed the maximums stated in these instructions? (See pages 3).
- Is the cooktop secured using the provided hold-down brackets? (See page 6).
- Is the cooktop connected to the gas supply according to these instructions and in accordance with all applicable codes? Did the installer check the gas supply for leaks? (See page 6).
- Are the burners and grates properly installed according to these instructions? (See page 7).
- Has proper operation been verified?
- Has the warranty been activated on-line or the warranty card filled out completely and mailed?

Notes

Notes

Notes

